



US00D433166S

United States Patent [19]

[11] **Patent Number: Des. 433,166**

Noll

[45] **Date of Patent: ** Oct. 31, 2000**

[54] **HALOGEN LAMP-REFLECTOR COMBINATION**

[75] Inventor: **Thomas Noll**, Kipfenborg, Germany

[73] Assignee: **Osram GmbH**, Munich, Germany

[**] Term: **14 Years**

[21] Appl. No.: **29/072,046**

[22] Filed: **Jun. 9, 1997**

[30] **Foreign Application Priority Data**

Dec. 10, 1996 [DE] Germany M 96 10 763

[51] **LOC (7) Cl.** **26-04**

[52] **U.S. Cl.** **D26/2**

[58] **Field of Search** D26/1, 2, 3, 26;
313/111, 113, 318, 315, 317, 116; 362/217,
297, 309, 310, 311, 341, 347, 349, 226

[56] **References Cited**

U.S. PATENT DOCUMENTS

- D. 140,700 3/1945 Slater D26/2
- D. 301,069 5/1989 Benson et al. D26/2

- D. 336,963 6/1993 Levin et al. D26/2
- D. 337,389 7/1993 Levin et al. D26/2
- D. 379,538 5/1997 Gallant D26/2
- D. 398,407 9/1998 O'Connell et al. D26/2
- 4,833,576 5/1989 Mers et al. 362/226

Primary Examiner—Susan J. Lucas
Attorney, Agent, or Firm—Frishauf, Holtz, Goodman, Langer & Chick, P.C.

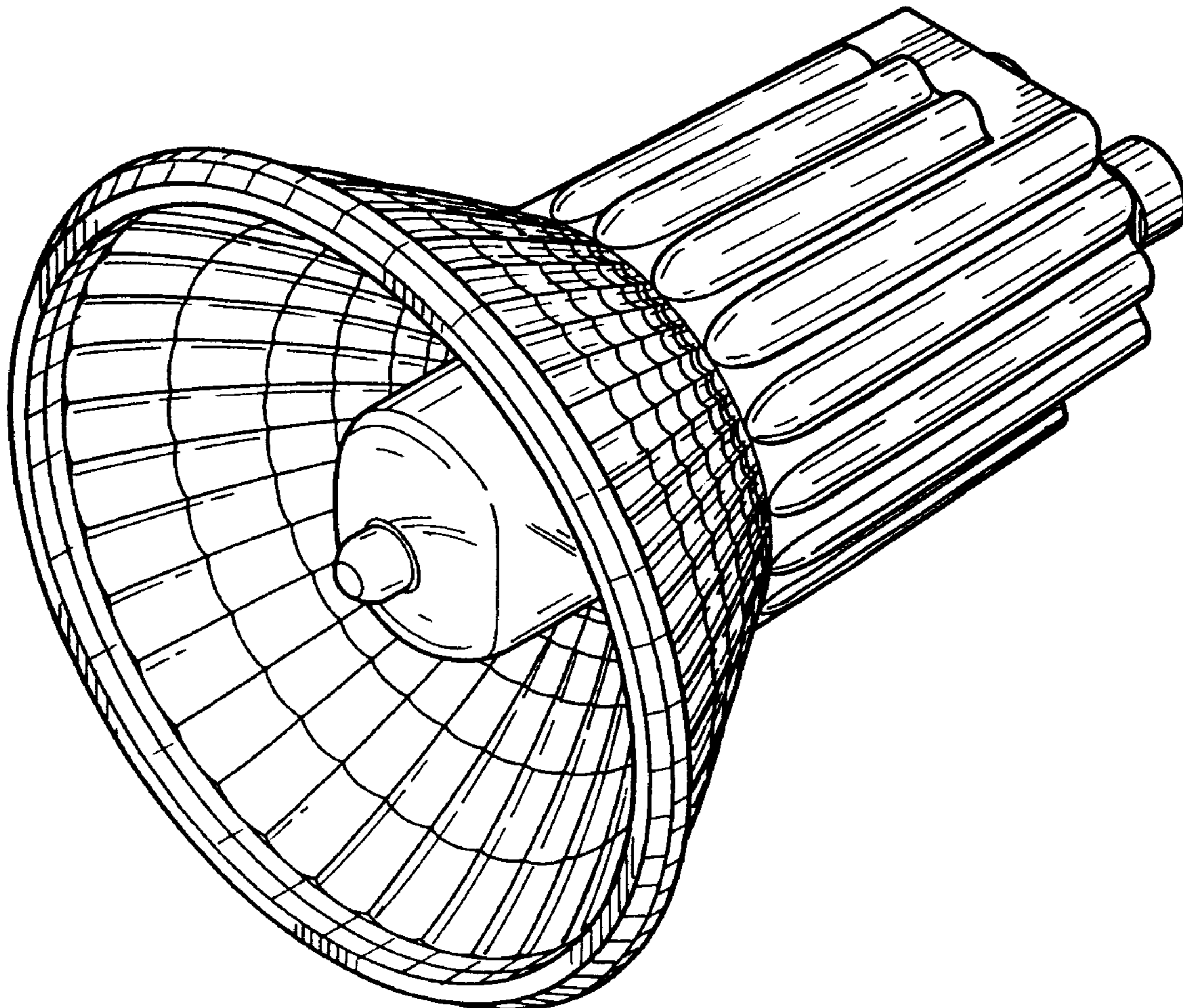
[57] **CLAIM**

The ornamental design for a halogen lamp-reflector combination, as shown and described.

DESCRIPTION

FIG. 1 is a front-perspective view of a halogen lamp-reflector combination, and showing a socket to receive the base of the lamp;
FIG. 2 is a rear perspective view of the combination;
FIG. 3 is a top view of the combination;
FIG. 4 is a top view of the combination, rotated 90° with respect to FIG. 3;
FIG. 5 is a front view of the combination; and,
FIG. 6 is a rear view of the combination of FIG. 1.

1 Claim, 2 Drawing Sheets



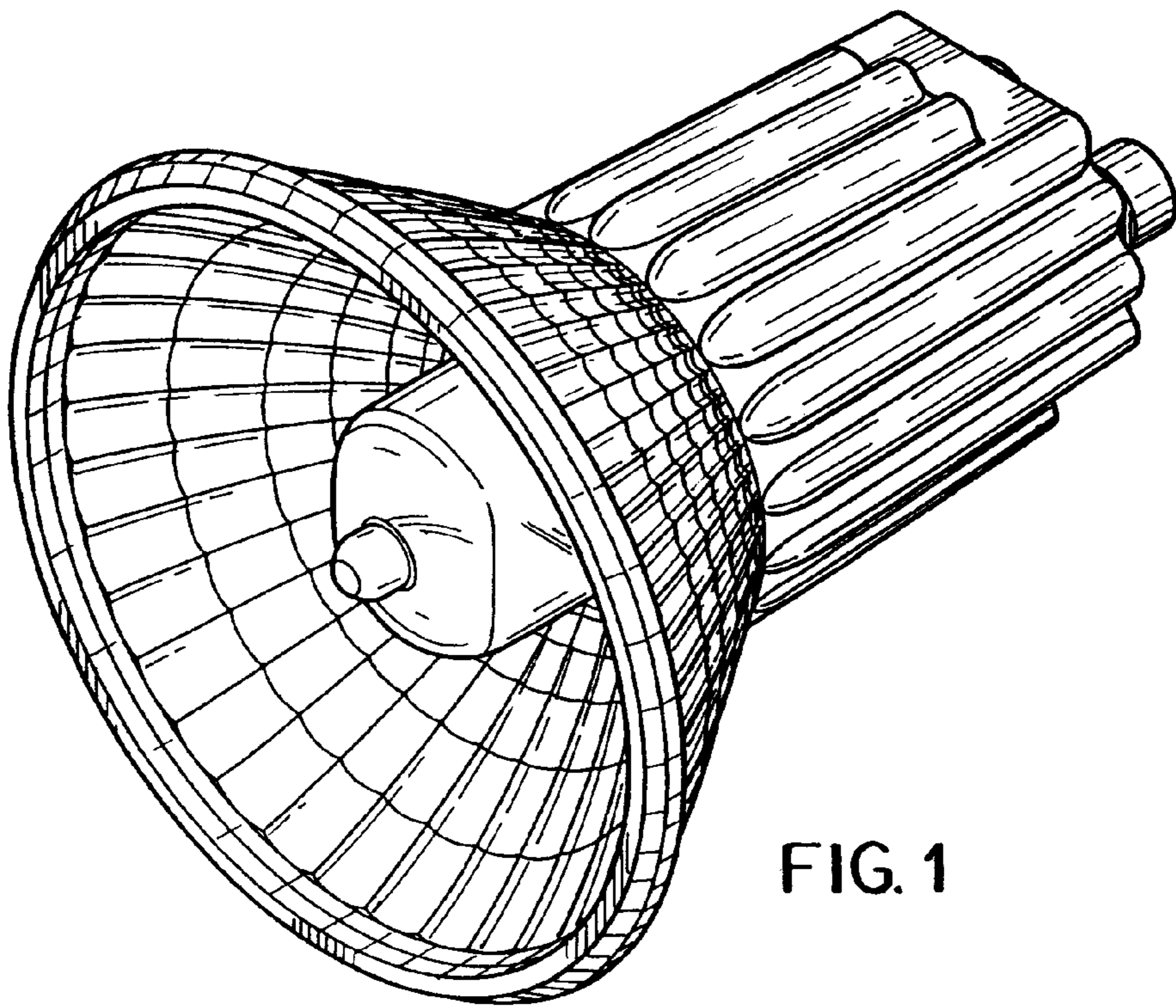


FIG. 1

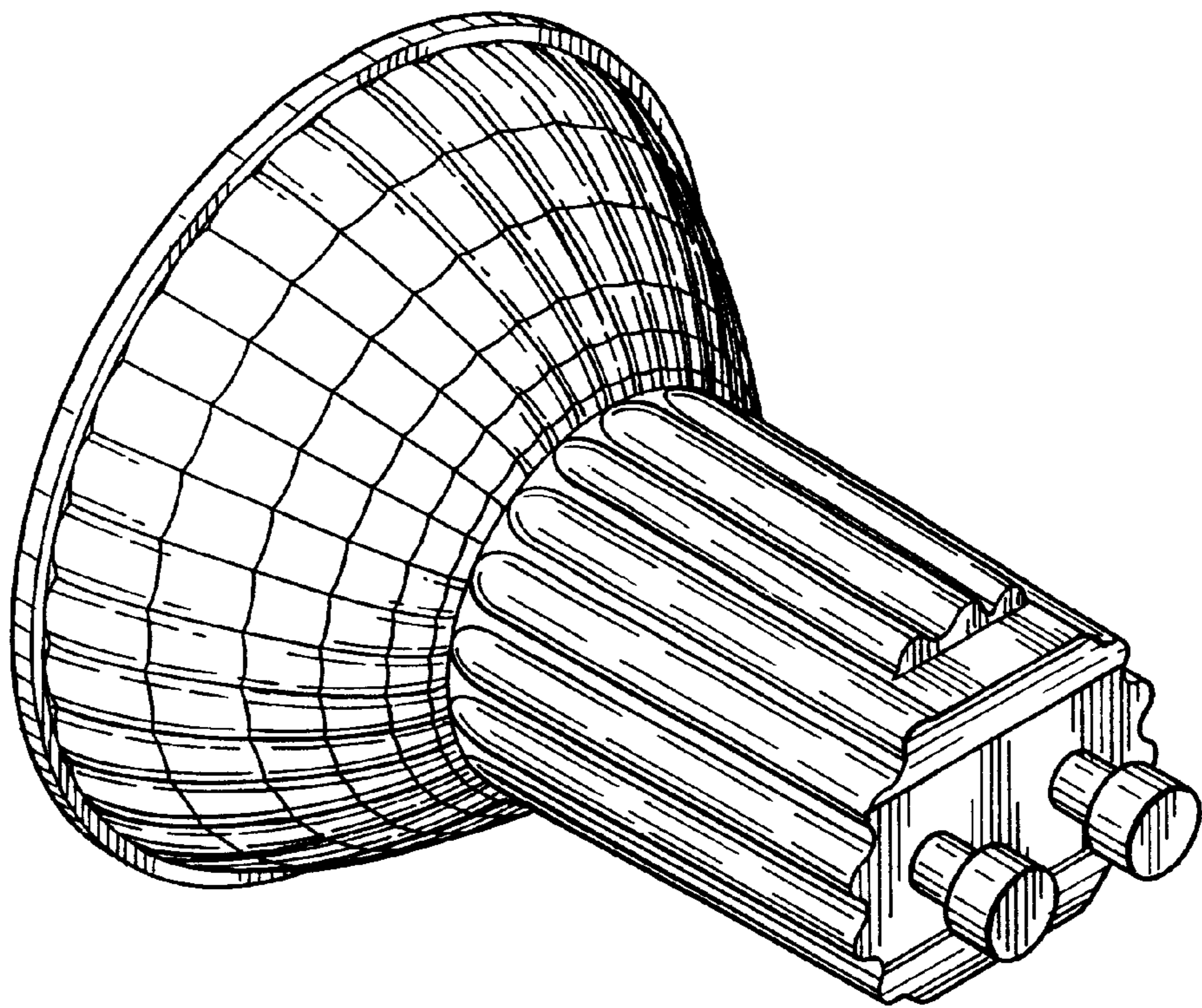


FIG. 2

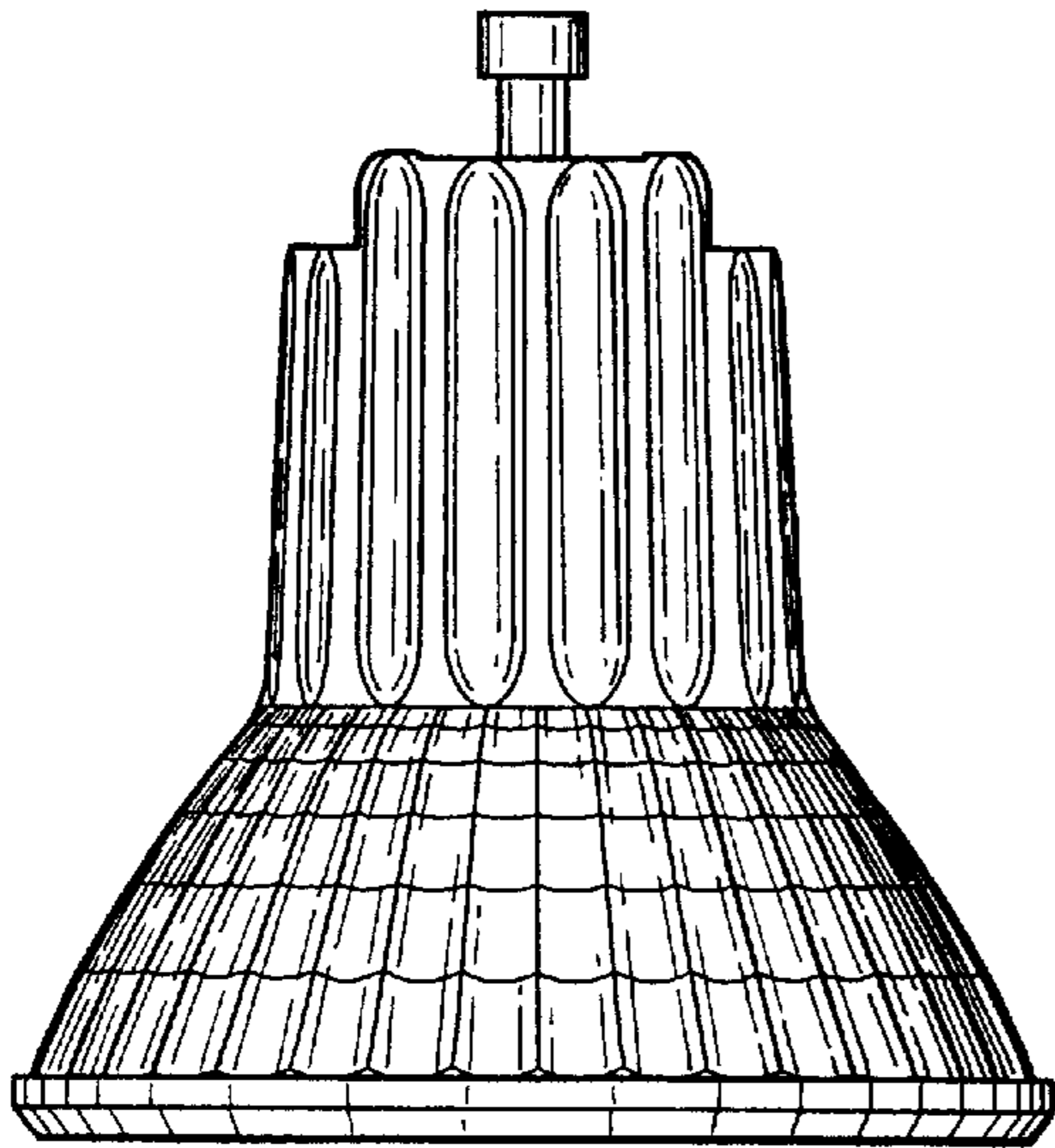


FIG. 3

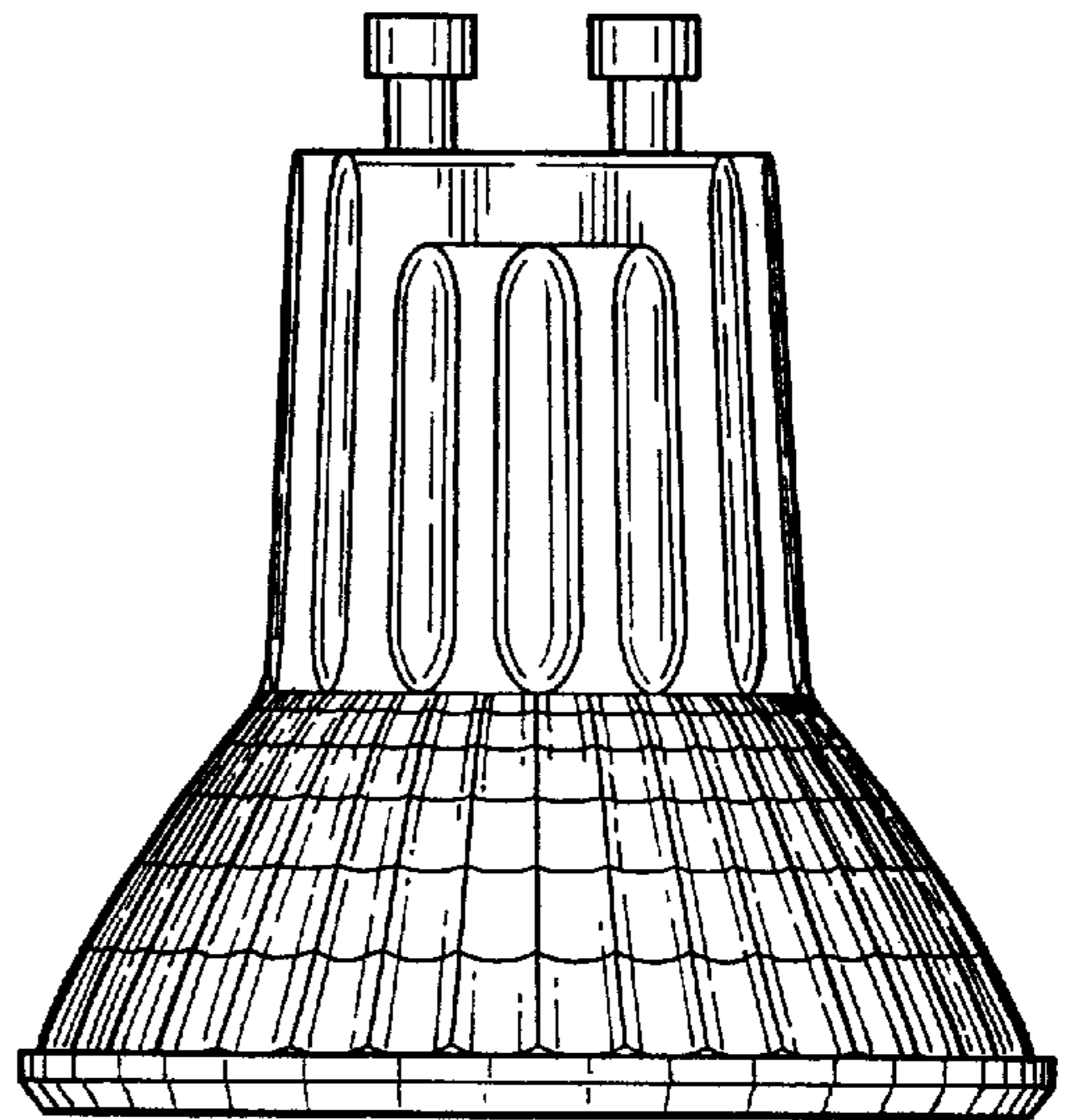


FIG. 4

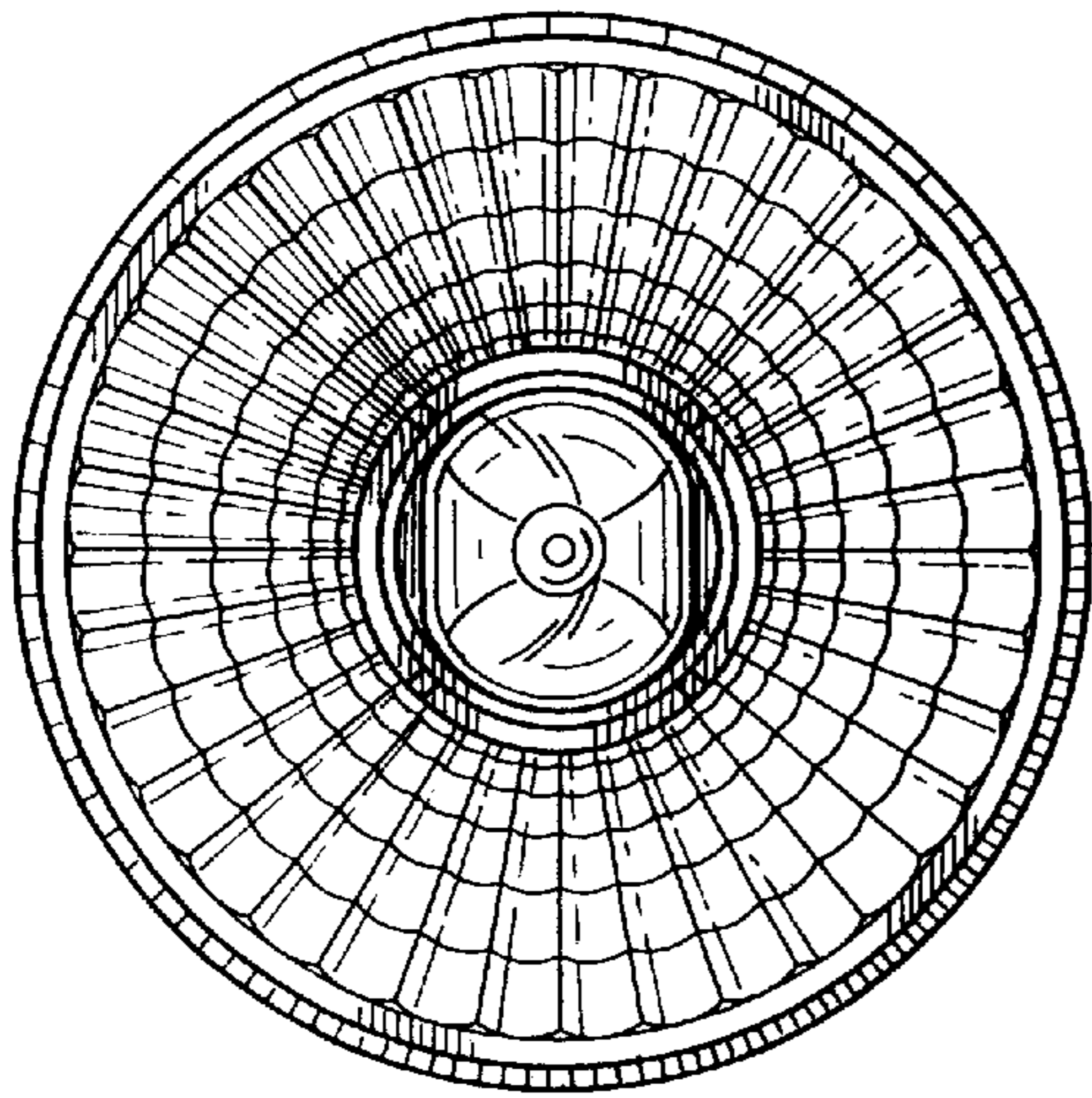


FIG. 5

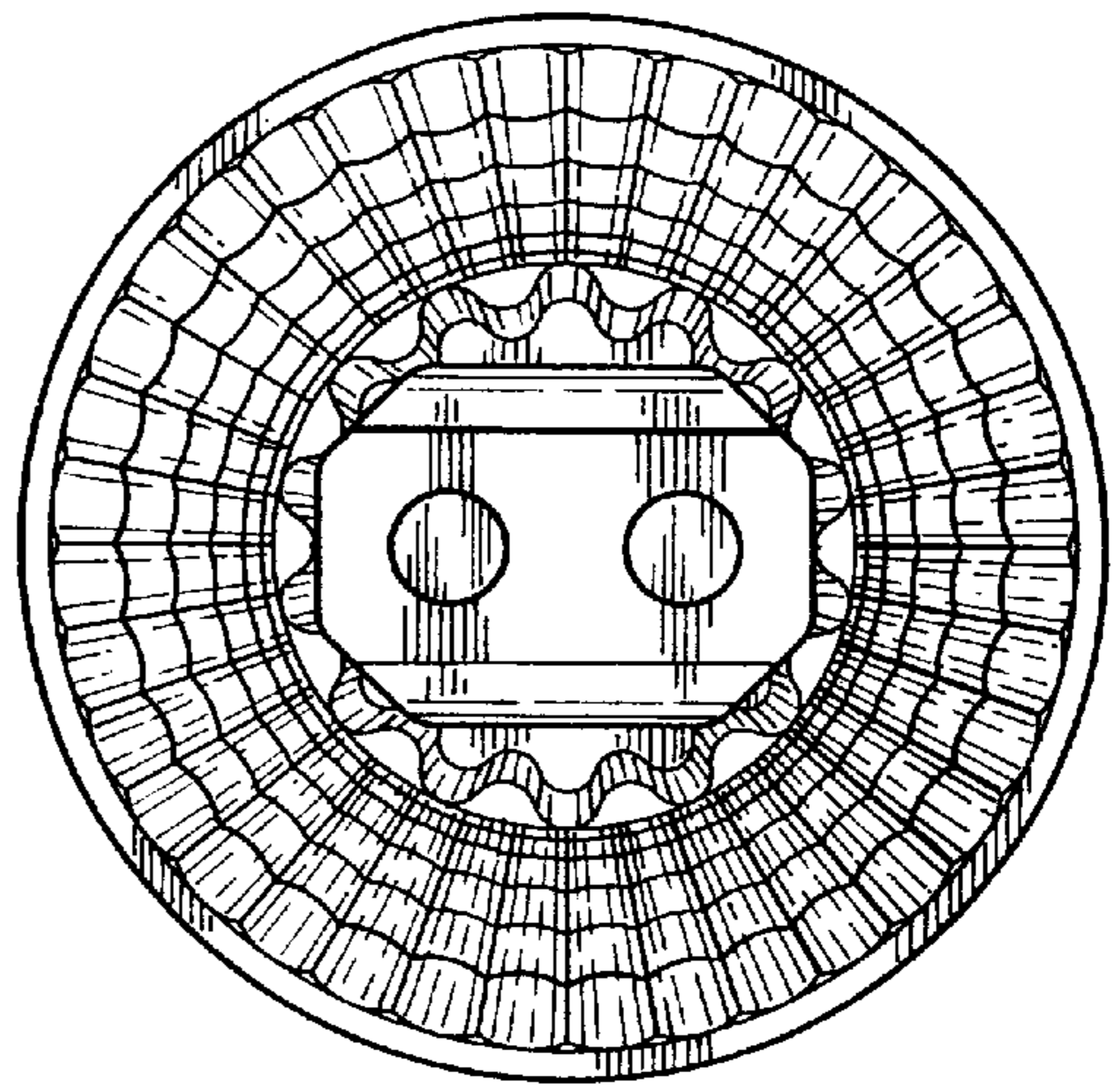


FIG. 6