



US00D433162S

United States Patent [19]
Sandlin

[11] **Patent Number: Des. 433,162**

[45] **Date of Patent: ** Oct. 31, 2000**

[54] **DECORATIVE POST**

[76] Inventor: **Delbert Sandlin**, 181E Pembroke Dr.,
Lake Forest, Ill. 60045

[**] Term: **14 Years**

[21] Appl. No.: **29/118,485**

[22] Filed: **Feb. 9, 2000**

[51] **LOC (7) Cl.** **25-01**

[52] **U.S. Cl.** **D25/126**

[58] **Field of Search** D25/126; 362/382,
362/806, 257

[56] **References Cited**

U.S. PATENT DOCUMENTS

D. 357,942	5/1995	Louis-Seize	D25/126
3,056,021	9/1962	Jacobsen	362/806
5,733,033	3/1998	Coleman et al.	362/382

Primary Examiner—Doris Clark

Attorney, Agent, or Firm—Wood, Phillips, VanSanten, Clark & Mortimer

[57] **CLAIM**

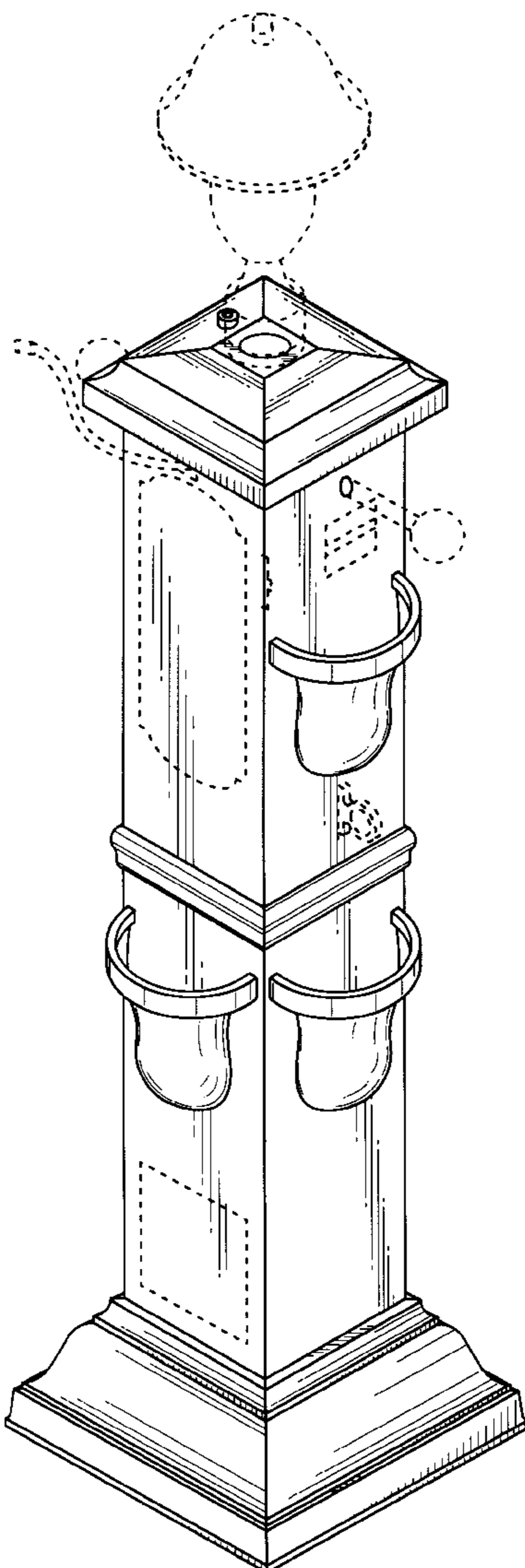
The ornamental design for a decorative post, as shown and described.

DESCRIPTION

FIG. 1 is a front, side, and top perspective view of my design for a decorative post;
FIG. 2 is a front elevation view thereof;
FIG. 3 is a rear elevation view thereof;
FIG. 4 is an elevation view from the same side as in FIG. 1;
FIG. 5 is an elevation view from the side opposite that in FIG. 4;
FIG. 6 is a plan view thereof; and,
FIG. 7 is a bottom view thereof.

The portions of the drawings shown in dotted lines do not form a part of the claimed design.

1 Claim, 4 Drawing Sheets



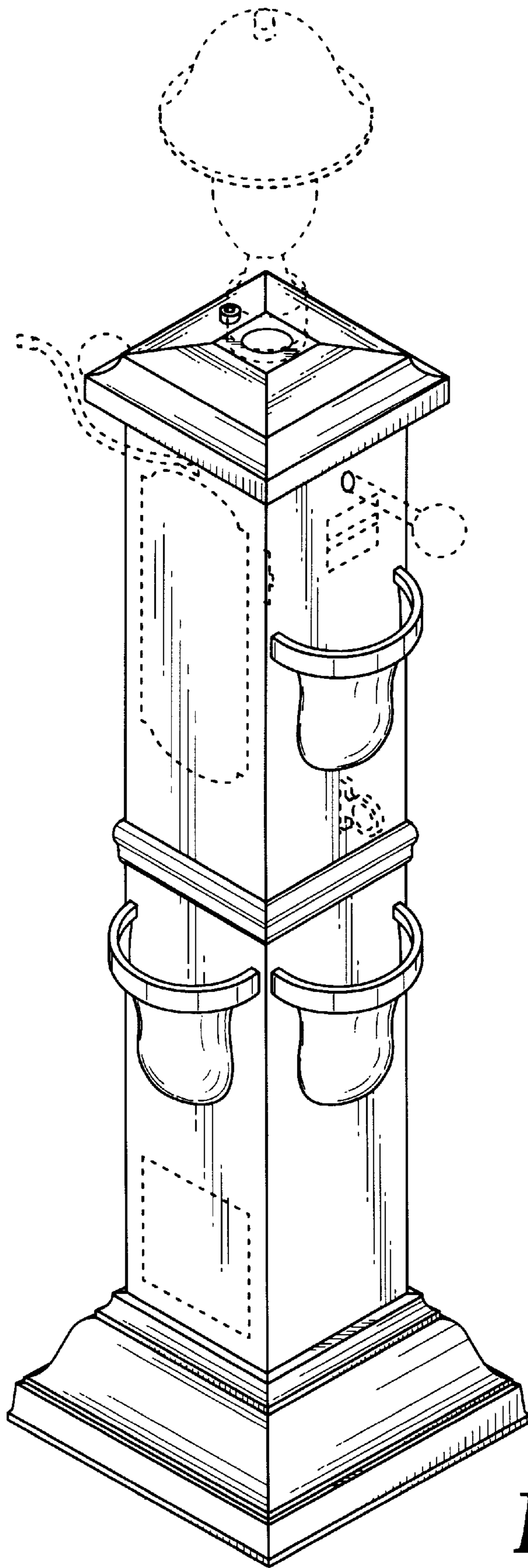


Fig. 1

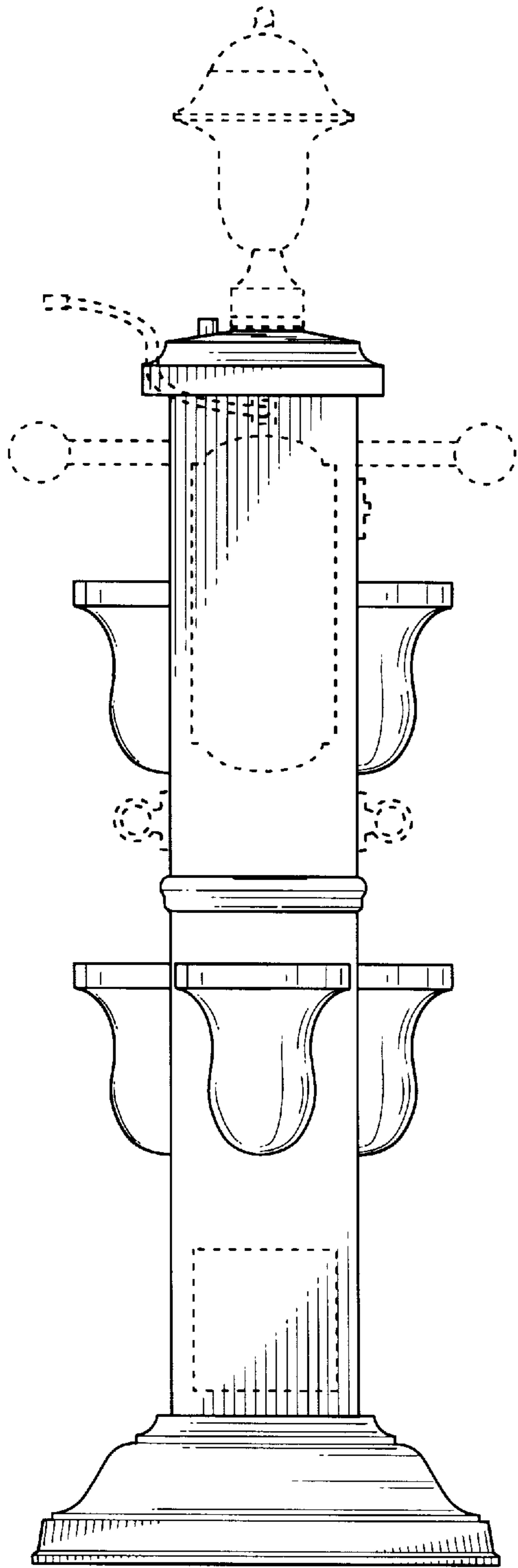


Fig. 2

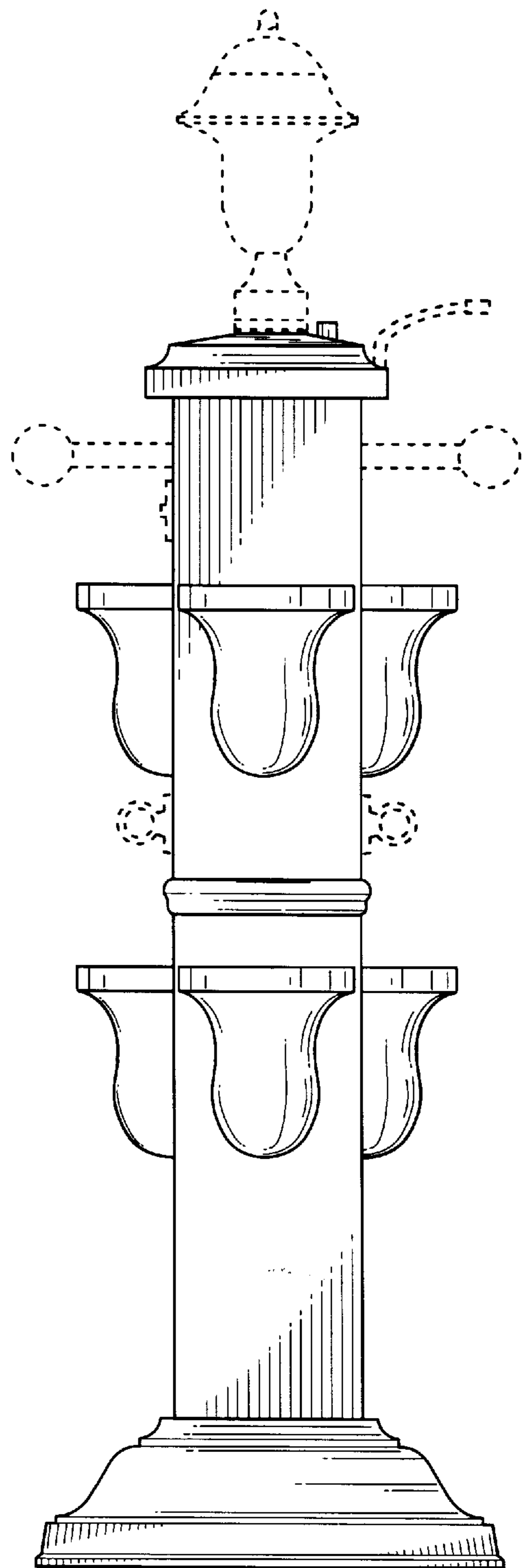


Fig. 3

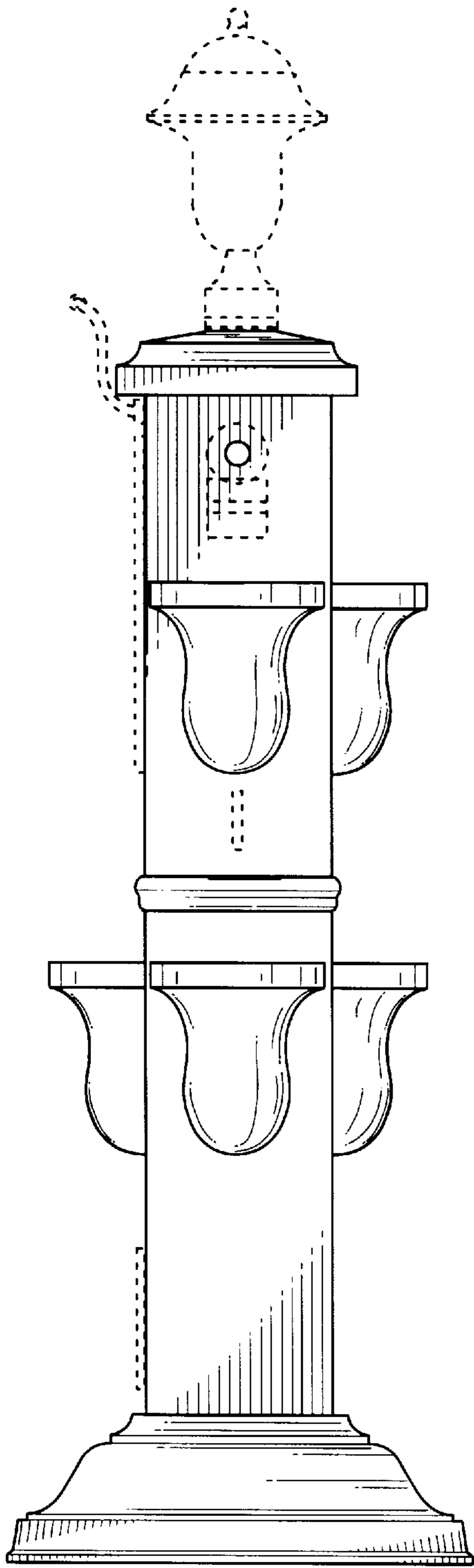


Fig. 4

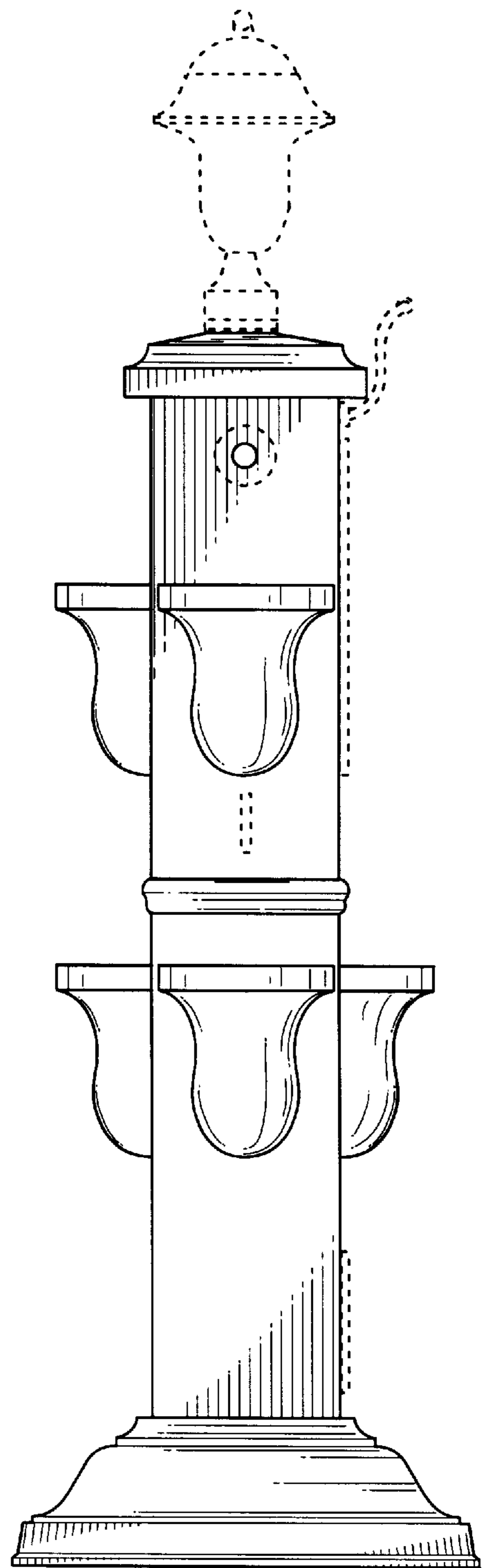


Fig. 5

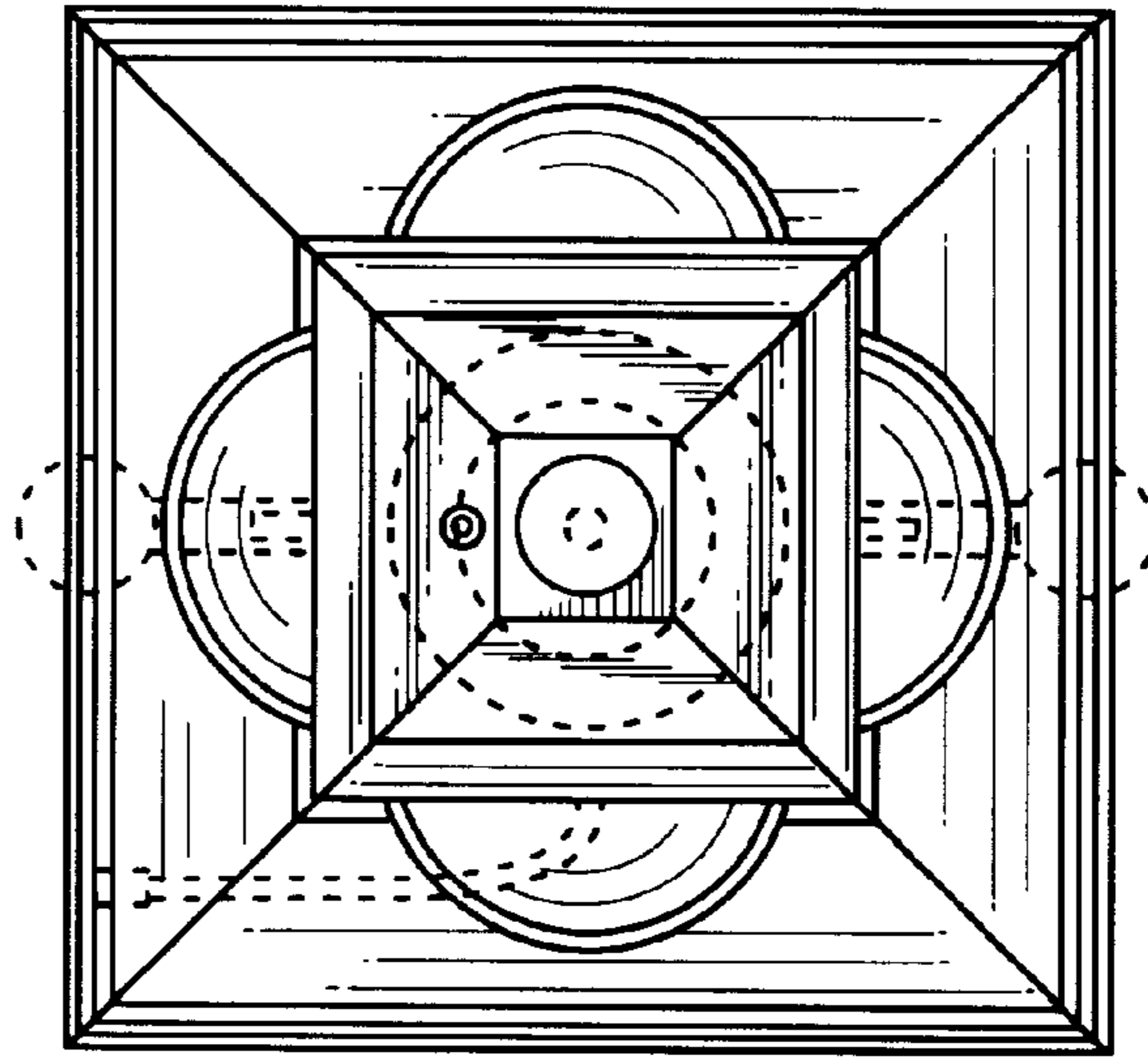


Fig. 6

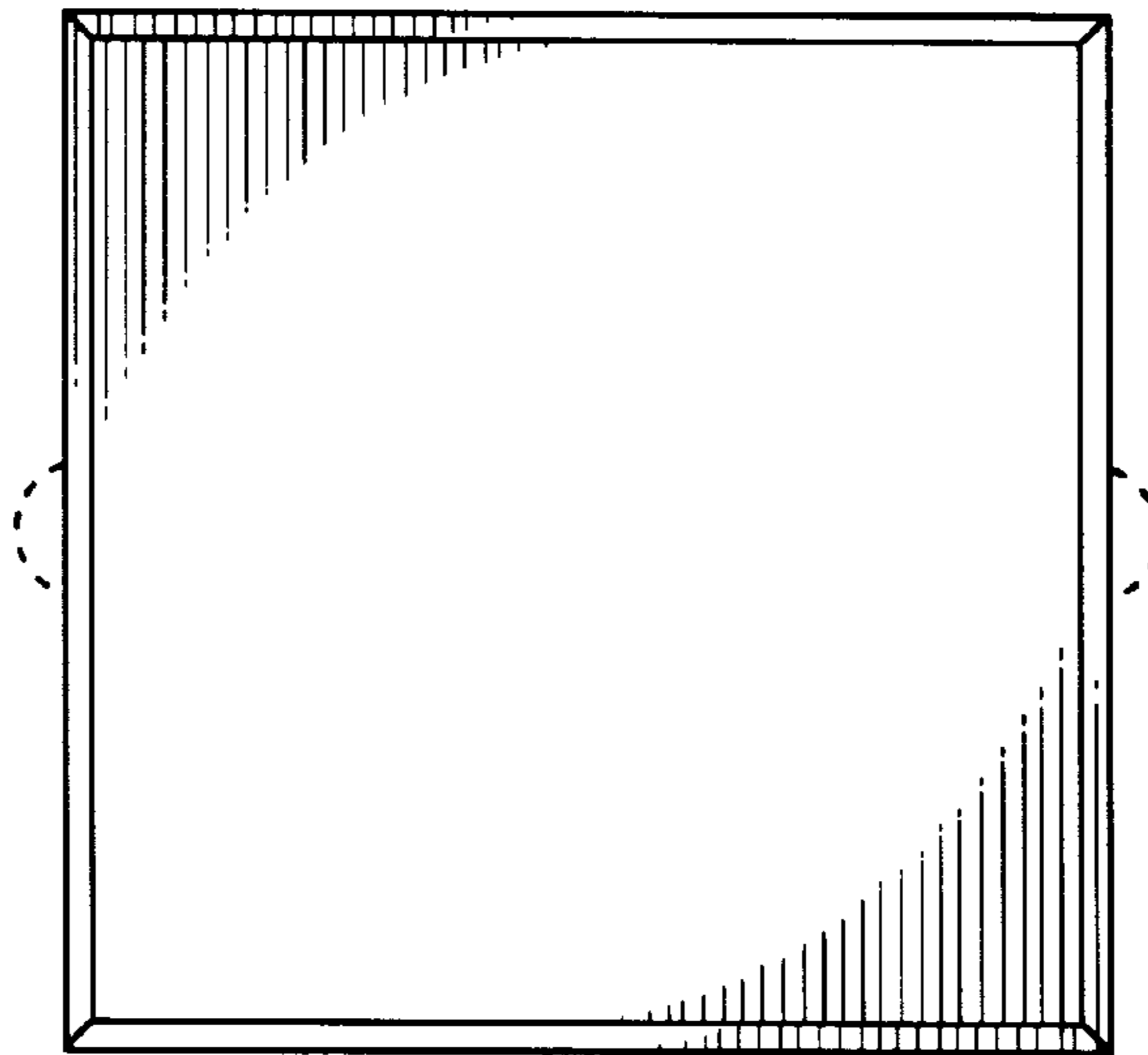


Fig. 7