



US00D433159S

United States Patent [19]

[11] **Patent Number: Des. 433,159**

Habeck et al.

[45] **Date of Patent: ** Oct. 31, 2000**

[54] **BENDABLE PICTURE FRAME WITH FLUSH FIN FOR PICTURE WINDOW**

[56] **References Cited**

[75] Inventors: **Jerome Carl Habeck**, Holt; **Dennis C. Westphal**, Parma, both of Mich.; **David S. Levine**, King of Prussia; **Stanley Gursky**, Yardley, both of Pa.

U.S. PATENT DOCUMENTS

D. 369,419 4/1996 Franson D25/125
D. 377,533 1/1997 Dallaire et al. D25/124
4,944,118 7/1990 Biro 49/504

[73] Assignee: **CertainTeed Corporation**, Valley Forge, Pa.

Primary Examiner—Doris Clark
Attorney, Agent, or Firm—Duane Morris & Heckscher, LLP

[**] Term: **14 Years**

[57] **CLAIM**

The ornamental design for a bendable picture frame with flush fin for picture window, as shown and described.

[21] Appl. No.: **29/119,694**

DESCRIPTION

[22] Filed: **Mar. 6, 2000**

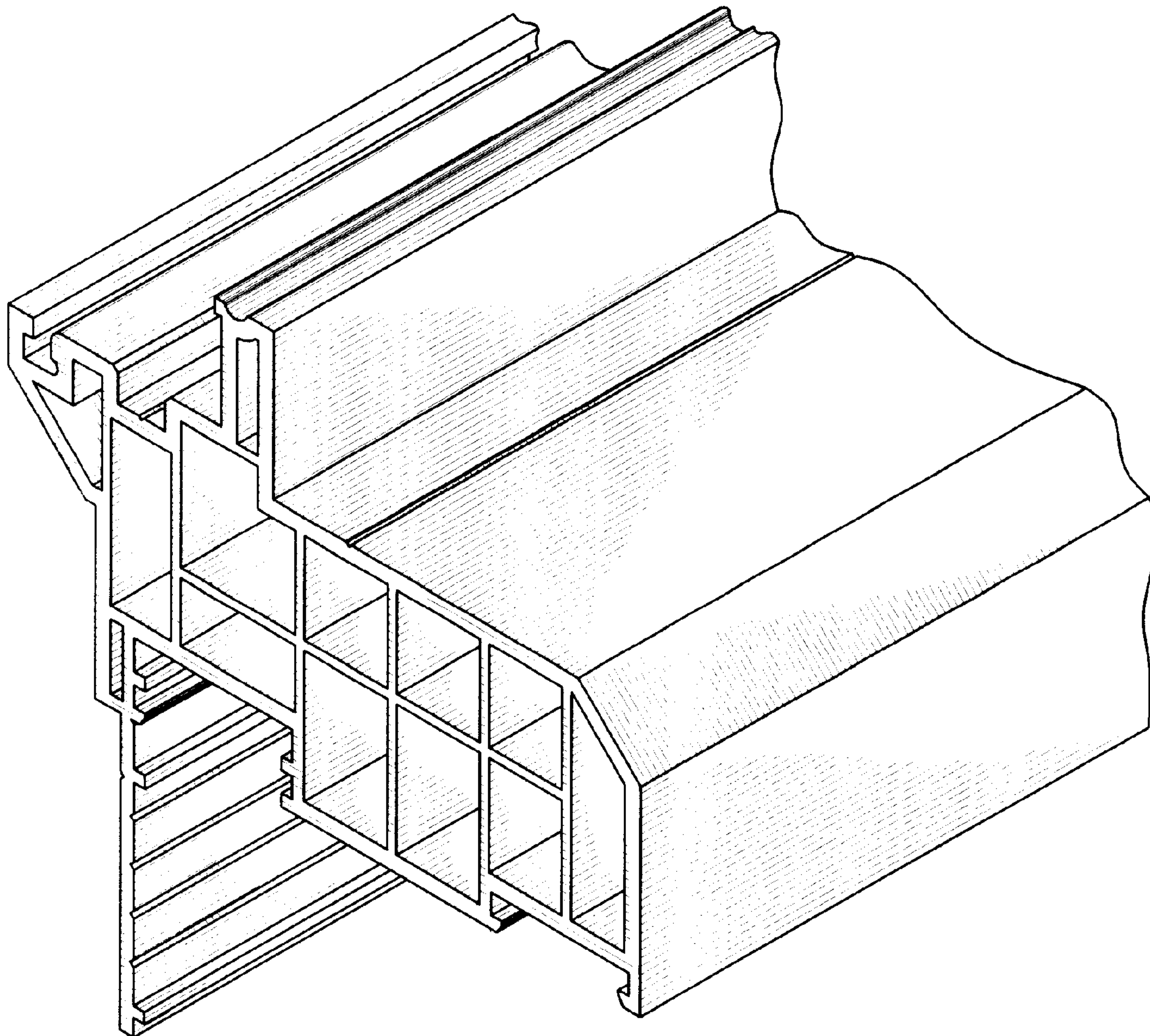
The FIGURE is a front perspective view of a bendable picture frame with flush fin for picture window, showing our new design, the rear perspective view being a mirror image thereof, and is shown fragmented indicating indefinite length.

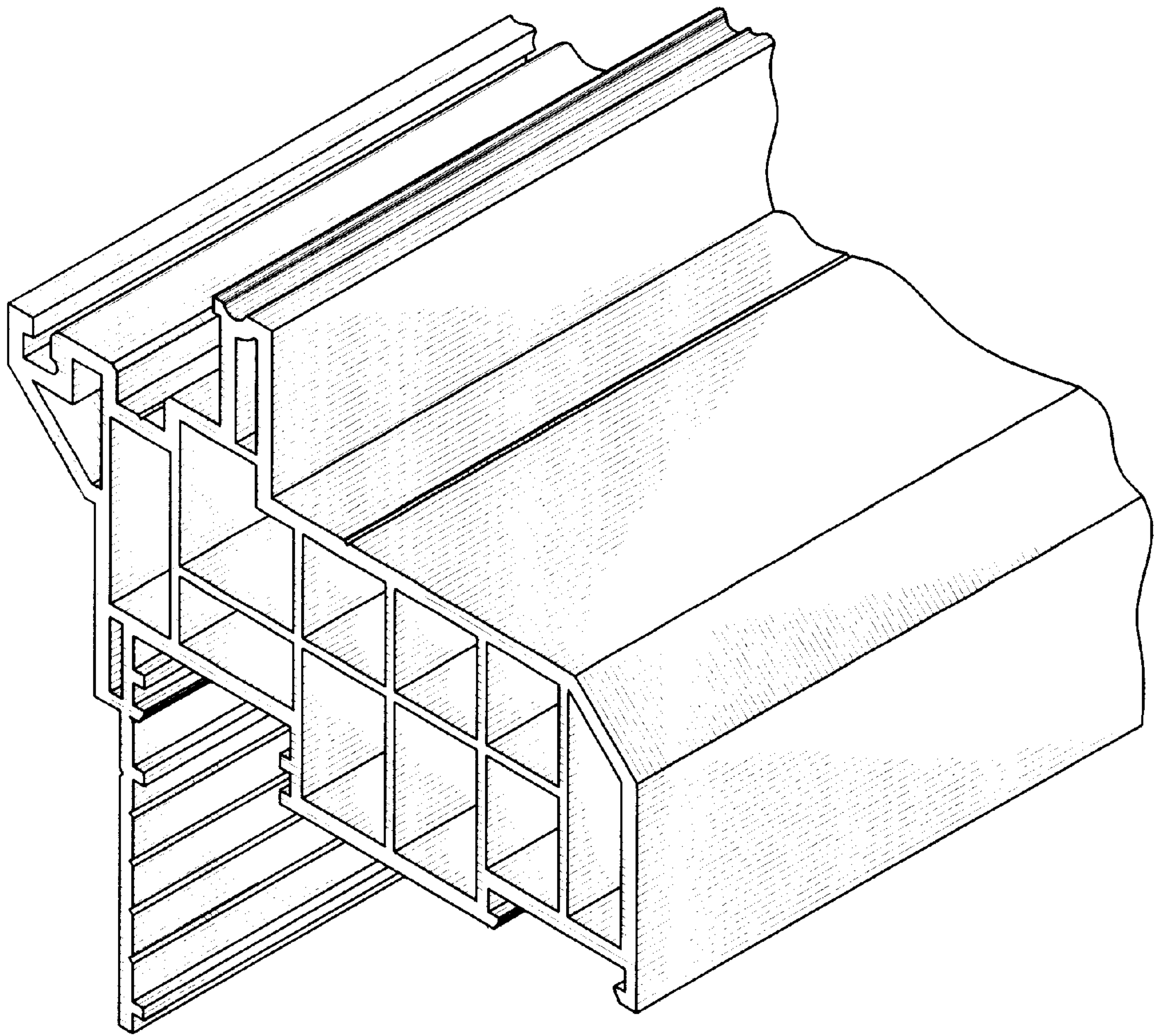
[51] **LOC (7) Cl.** **25-01**

[52] **U.S. Cl.** **D25/124; D25/125**

[58] **Field of Search** 52/777, 778, 779,
52/764, 204.5, 204.55, 656.5, 656.4, 656.6,
656.7; 49/504, DIG. 2; D25/124, 60, 125,
52

1 Claim, 1 Drawing Sheet





THE FIGURE