



US00D433157S

United States Patent [19]
Whitson

[11] **Patent Number: Des. 433,157**

[45] **Date of Patent: ** Oct. 31, 2000**

[54] **MASONRY WALL CAP BLOCK**

DESCRIPTION

[75] Inventor: **Robert L. Whitson**, West Bend, Wis.
[73] Assignee: **Bend Industries, Inc.**, West Bend, Wis.
[**] Term: **14 Years**

FIG. 1 is a perspective view of a first embodiment of the masonry wall, cap block, with a trapezoidal configuration and concave edge design extending along of the front and rear sides;

[21] Appl. No.: **29/106,724**
[22] Filed: **Jun. 18, 1999**

FIG. 2 is a side plan view of the first embodiment of the masonry wall cap block;

[51] **LOC (7) Cl.** **25-01**
[52] **U.S. Cl.** **D25/113**
[58] **Field of Search** D25/135, 113;
52/244, 300, 465, 596; 256/20, 73, 24

FIG. 3 is a front plan view of the first embodiment of the masonry wall cap block;

[56] **References Cited**

U.S. PATENT DOCUMENTS

1,422,146 7/1922 Tackenberg D25/113
3,298,668 1/1967 Schueren D25/113

FIG. 4 is a top plan view of the first embodiment of the masonry wall cap block;

FIG. 5 is a rear plan view of the first embodiment of the cap block;

FIG. 6 is a perspective view of the second embodiment of the masonry wall, cap block, with a trapezoidal configuration and multi-faceted edge design extending along the front and rear sides;

OTHER PUBLICATIONS

Copy of pp. 94 and 95 of a 1997 German Product Catalog called Abi Hausler, Featuring a Retaining Wall Cap Block.

FIG. 7 is a side plan view of the second embodiment of the masonry wall cap block;

FIG. 8 is a front plan view of the second embodiment of the masonry wall cap block;

Primary Examiner—Doris Clark
Attorney, Agent, or Firm—Jeffrey S. Sokol

FIG. 9 is a top plan view of the second embodiment of the masonry wall cap block; and,

FIG. 10 is a rear plan view of the second embodiment of the masonry wall cap block.

[57] **CLAIM**

The ornamental design for a masonry wall cap block, as shown and described.

The broken lines in the drawing are to disclose indeterminate length and width of the masonry wall cap block.

1 Claim, 4 Drawing Sheets

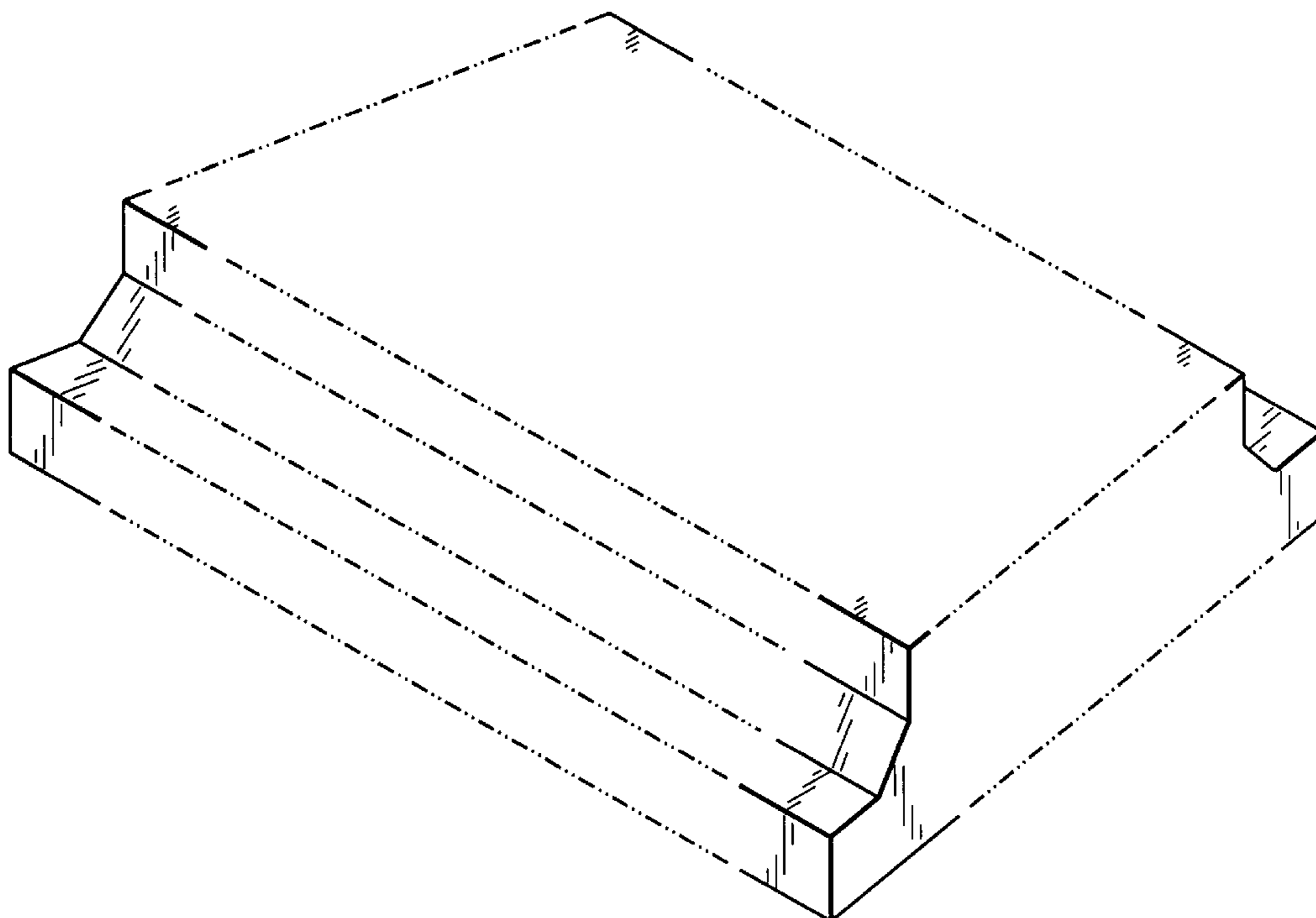




FIG. 2

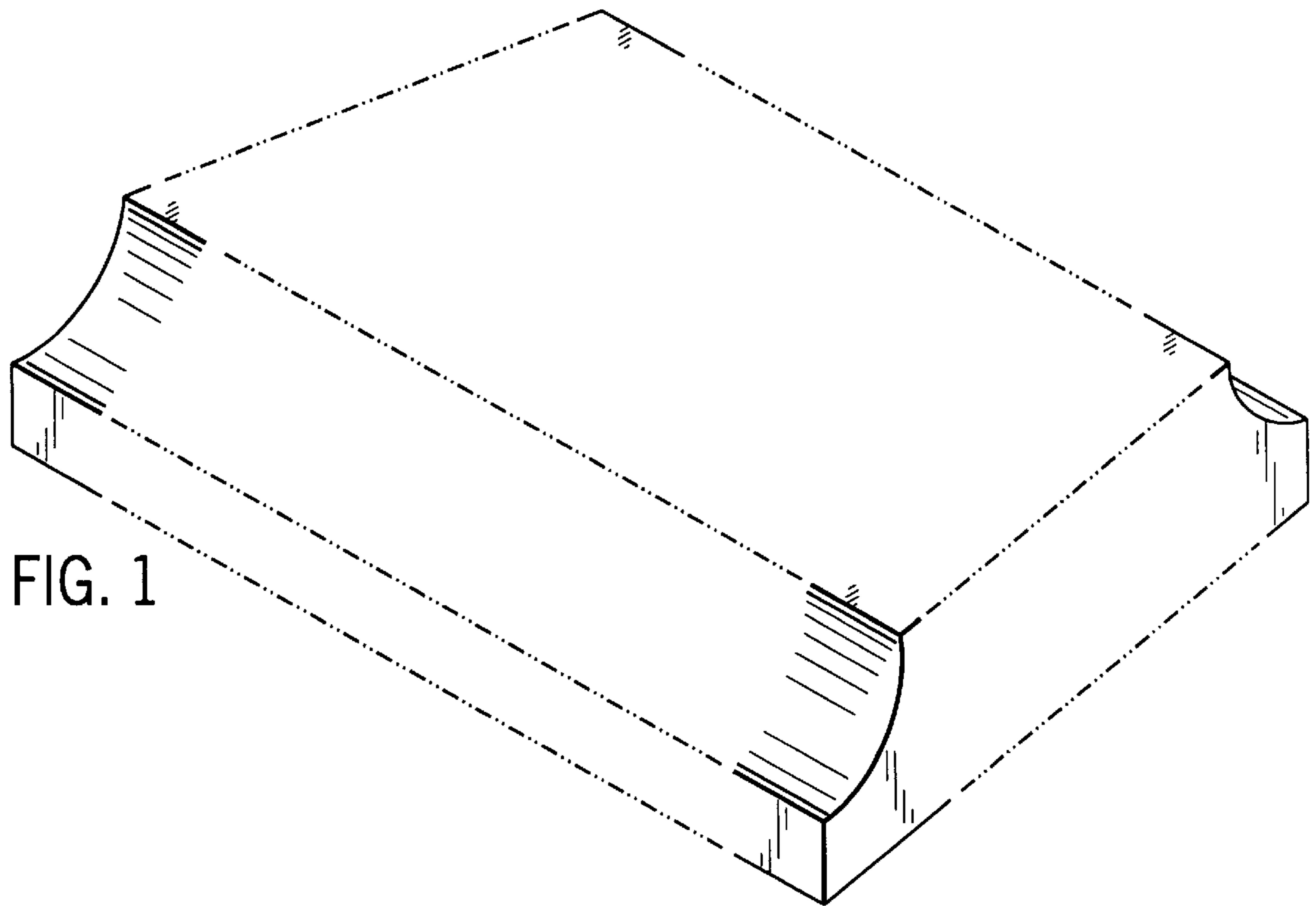


FIG. 1

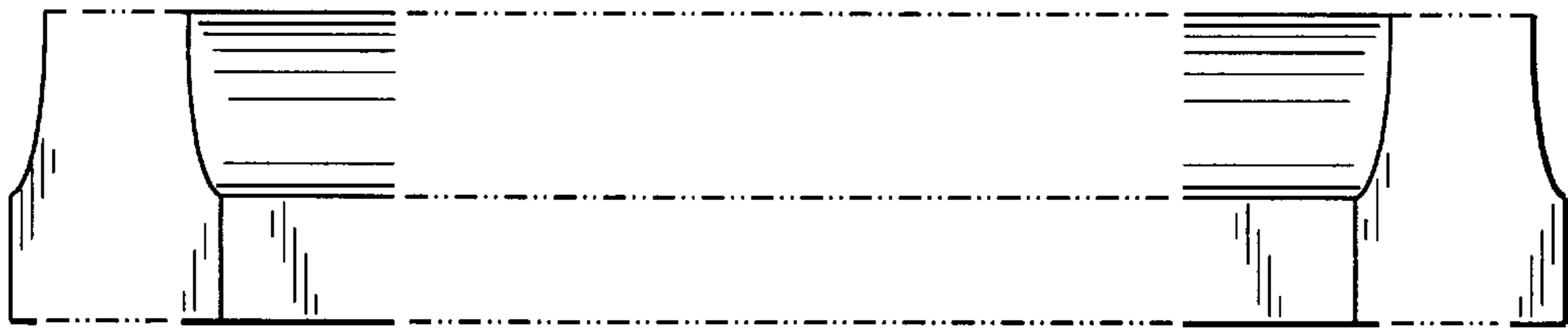


FIG. 3

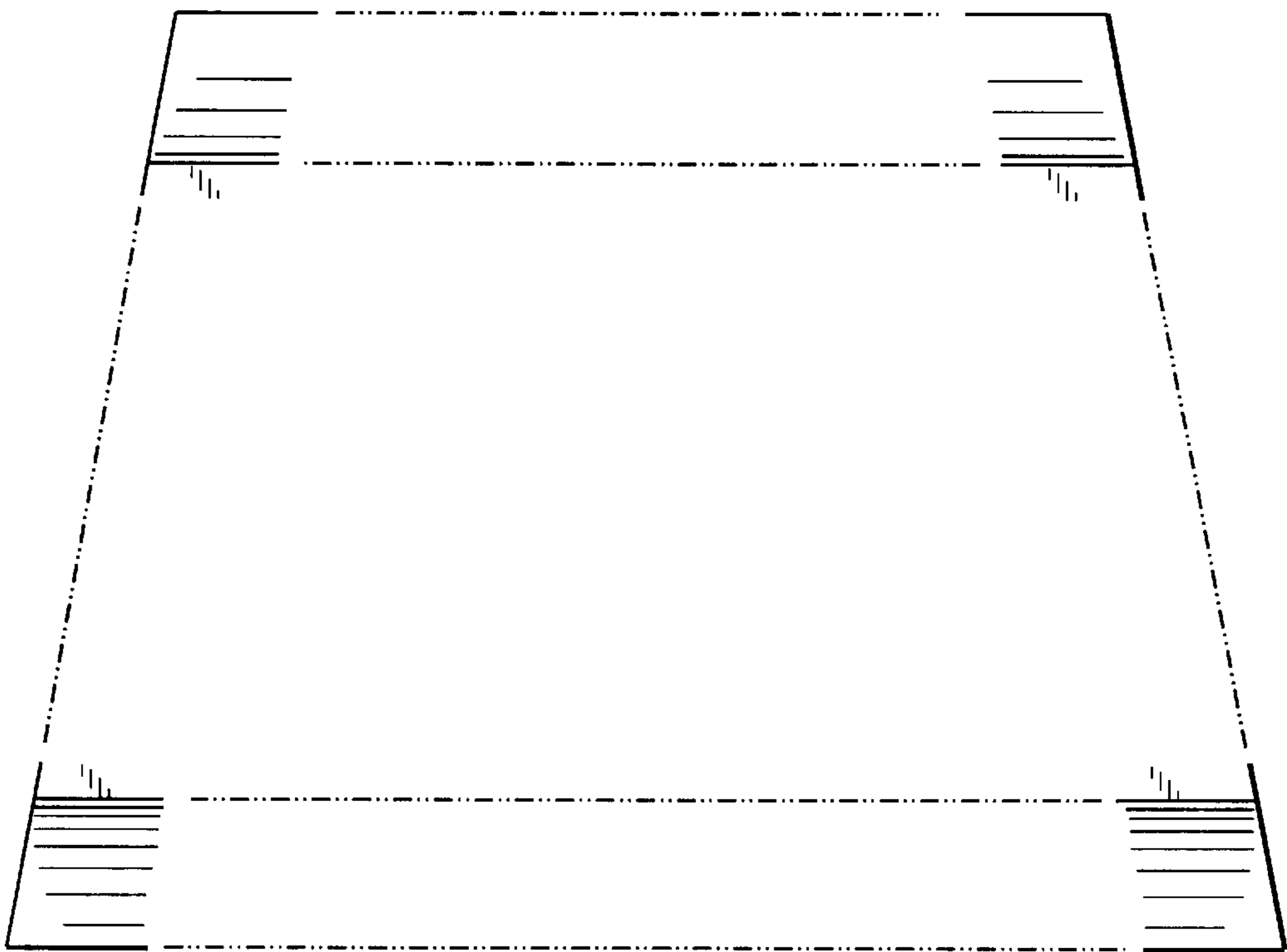


FIG. 4

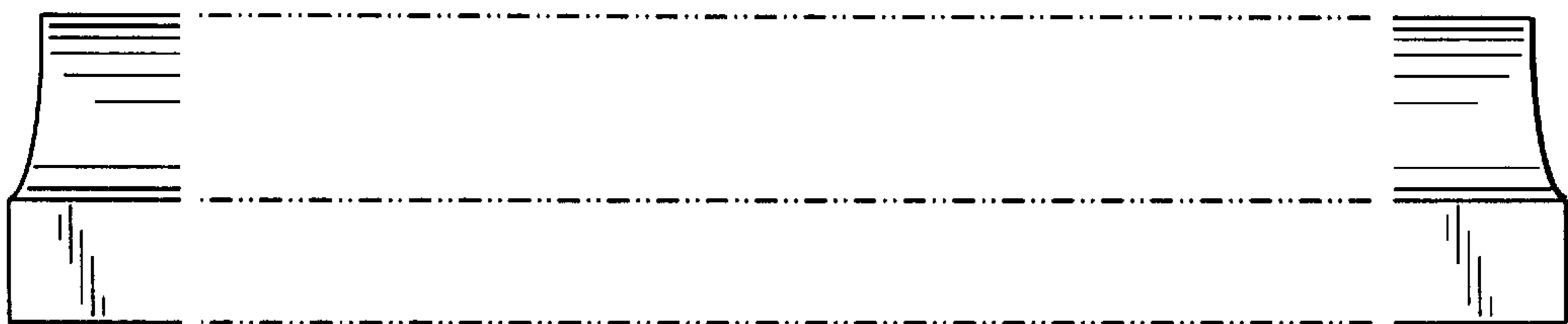


FIG. 5



FIG. 7

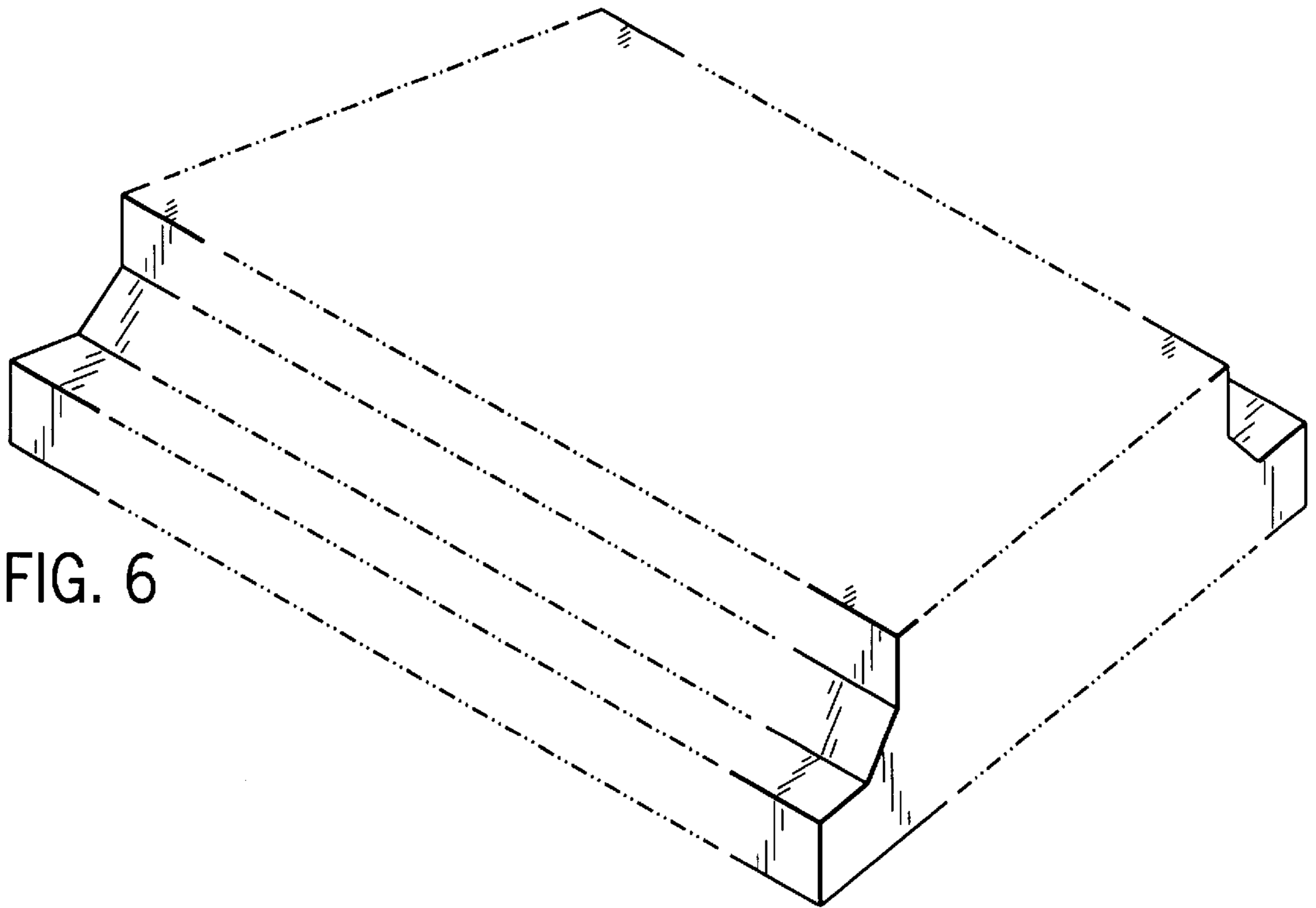


FIG. 6

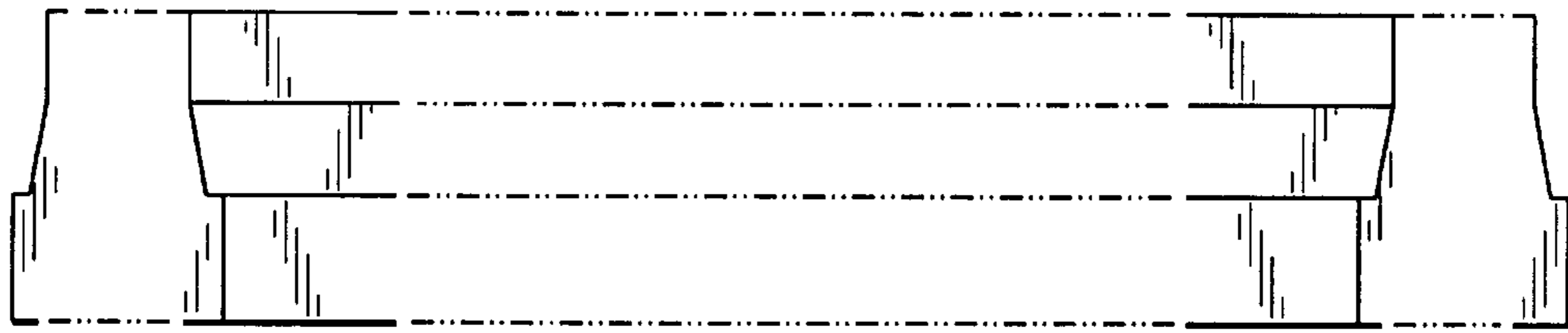


FIG. 8

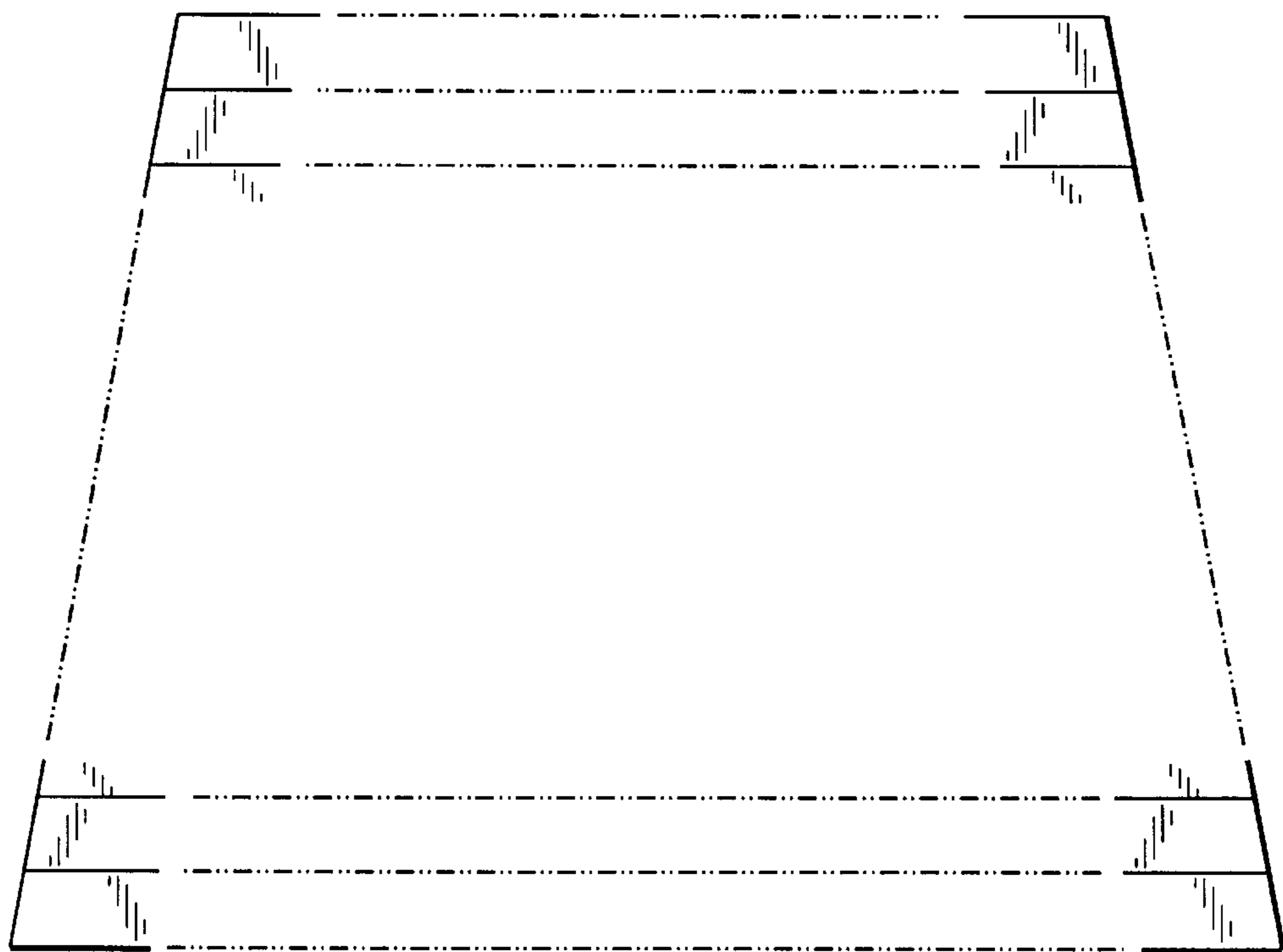


FIG. 9

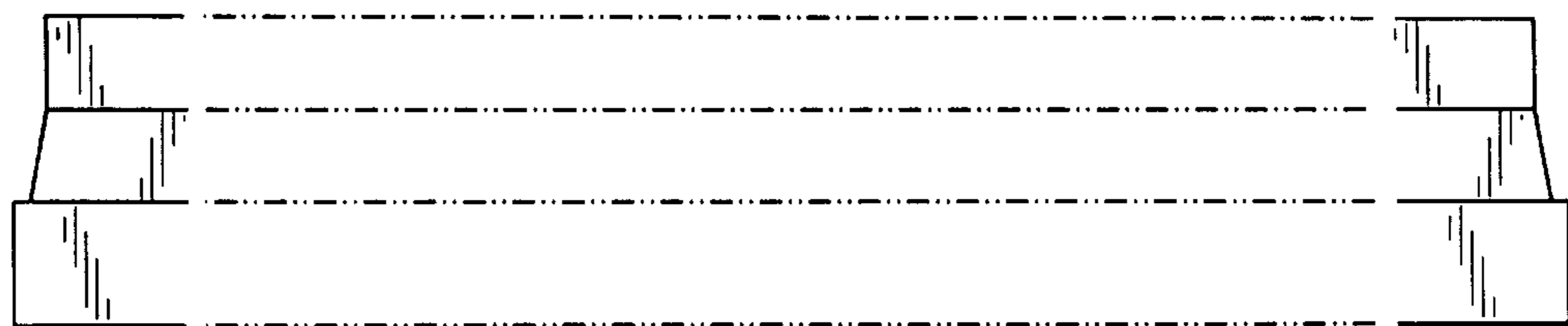


FIG. 10