



US00D433156S

United States Patent [19]
Gibson et al.

[11] **Patent Number: Des. 433,156**
[45] **Date of Patent: ** Oct. 31, 2000**

[54] **STEP STOOL**

FOREIGN PATENT DOCUMENTS

[75] Inventors: **William R. Gibson, Kent; Enrique R. Giner**, Streetsboro, both of Ohio

33 27 025 A1 7/1983 Germany .

[73] Assignee: **Cosco Management, Inc.**, Wilmington, Del.

OTHER PUBLICATIONS

“Cosco Home Furnishings 1996”: Catalog, pp. 17, 18, and 23–25.

[**] Term: **14 Years**

“Cosco 1995 Home Furnishings”: Catalog, pp. 3–5.

[21] Appl. No.: **29/109,363**

Primary Examiner—Doris Clark
Attorney, Agent, or Firm—Barnes & Thornburg

[22] Filed: **Aug. 13, 1999**

[57] **CLAIM**

Related U.S. Application Data

The ornamental design for a step stool, as shown and described.

[63] Continuation-in-part of application No. 29/098,923, Jan. 8, 1999.

DESCRIPTION

[51] **LOC (7) Cl.** **25-04**

FIG. 1 is a perspective view of a step stool in accordance with our new design;

[52] **U.S. Cl.** **D25/64; D25/65**

FIG. 2 is a front elevational view thereof;

[58] **Field of Search** D25/64, 65; 182/20,

FIG. 3 is a rear elevational view thereof;

182/21–26, 129, 165, 180.1, 161, 162

FIG. 4 is a right side elevational view thereof in an opened position, with the left side elevational view being substantially similar;

[56] **References Cited**

U.S. PATENT DOCUMENTS

- 162,075 4/1875 Isaacs et al. .
- D. 273,996 5/1984 Rasler .
- D. 284,513 7/1986 Dyer .
- D. 286,574 11/1986 McMillin .
- D. 300,252 3/1989 Schmitt .
- D. 300,563 4/1989 Burkhart, Sr. .
- D. 310,884 9/1990 Patton et al. .
- D. 334,240 3/1993 Huffine .
- D. 387,878 12/1997 Jacques .
- D. 388,882 1/1998 Kain .
- D. 401,353 11/1998 Bell et al. .
- 1,702,249 2/1929 Davidson .
- 2,109,886 3/1938 Lewis .
- 2,207,923 6/1940 Kelso .
- 2,470,053 5/1949 Salisbury .
- 2,596,521 5/1952 Bell .
- 3,999,629 12/1976 Schaffer et al. .
- 4,261,435 4/1981 Winter .
- 4,276,955 7/1981 Hickman .
- 4,440,264 4/1984 Knoke et al. .
- 4,460,063 7/1984 Casada .

FIG. 5 is a top plan view thereof;

FIG. 6 is a bottom plan view thereof;

FIG. 7 is a bottom plan view of a second embodiment of a step stool in accordance with our new design, with the front, rear, right side elevational, left side elevational, and top views being substantially similar to FIGS. 1–6;

FIG. 8 is a perspective view of a third embodiment of a step stool in accordance with our new design;

FIG. 9 is a front elevational view thereof;

FIG. 10 is a rear elevational view thereof;

FIG. 11 is a right side elevational view thereof in an opened position, with the left side elevational view being substantially similar;

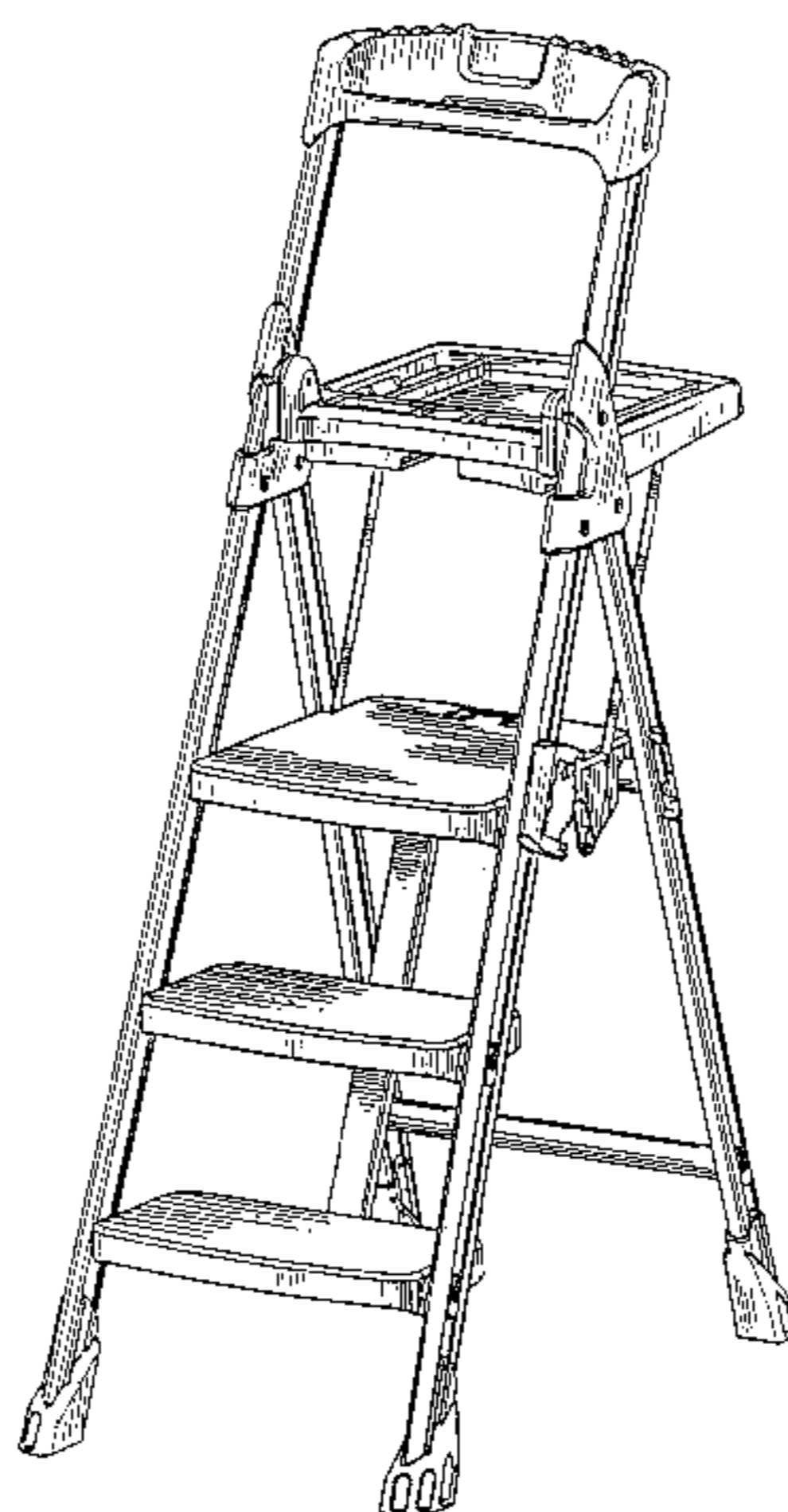
FIG. 12 is a top plan view thereof;

FIG. 13 is a bottom plan view thereof; and,

FIG. 14 is a bottom plan view of a fourth embodiment of a step stool in accordance with our new design, with the front, rear, right side elevational, left side elevational, and top views being substantially similar to FIGS. 9–13.

(List continued on next page.)

1 Claim, 6 Drawing Sheets



U.S. PATENT DOCUMENTS

4,485,892	12/1984	Maloney et al. .	5,333,823	8/1994	Joseph .
4,502,564	3/1985	Kümmerlin et al. .	5,342,008	8/1994	Kay .
4,589,521	5/1986	Finster et al. .	5,358,070	10/1994	Bartnicki et al. .
4,874,147	10/1989	Ory et al. .	5,419,409	5/1995	Corulla .
4,979,590	12/1990	Bailey .	5,503,245	4/1996	Etesam .
5,052,581	10/1991	Christ et al. .	5,511,753	4/1996	Lage .
5,064,243	11/1991	Quain .	5,722,507	3/1998	Kain .
5,259,480	11/1993	Bartnicki et al. .	5,762,163	6/1998	Kain .
			5,937,968	8/1999	Gibson et al. .

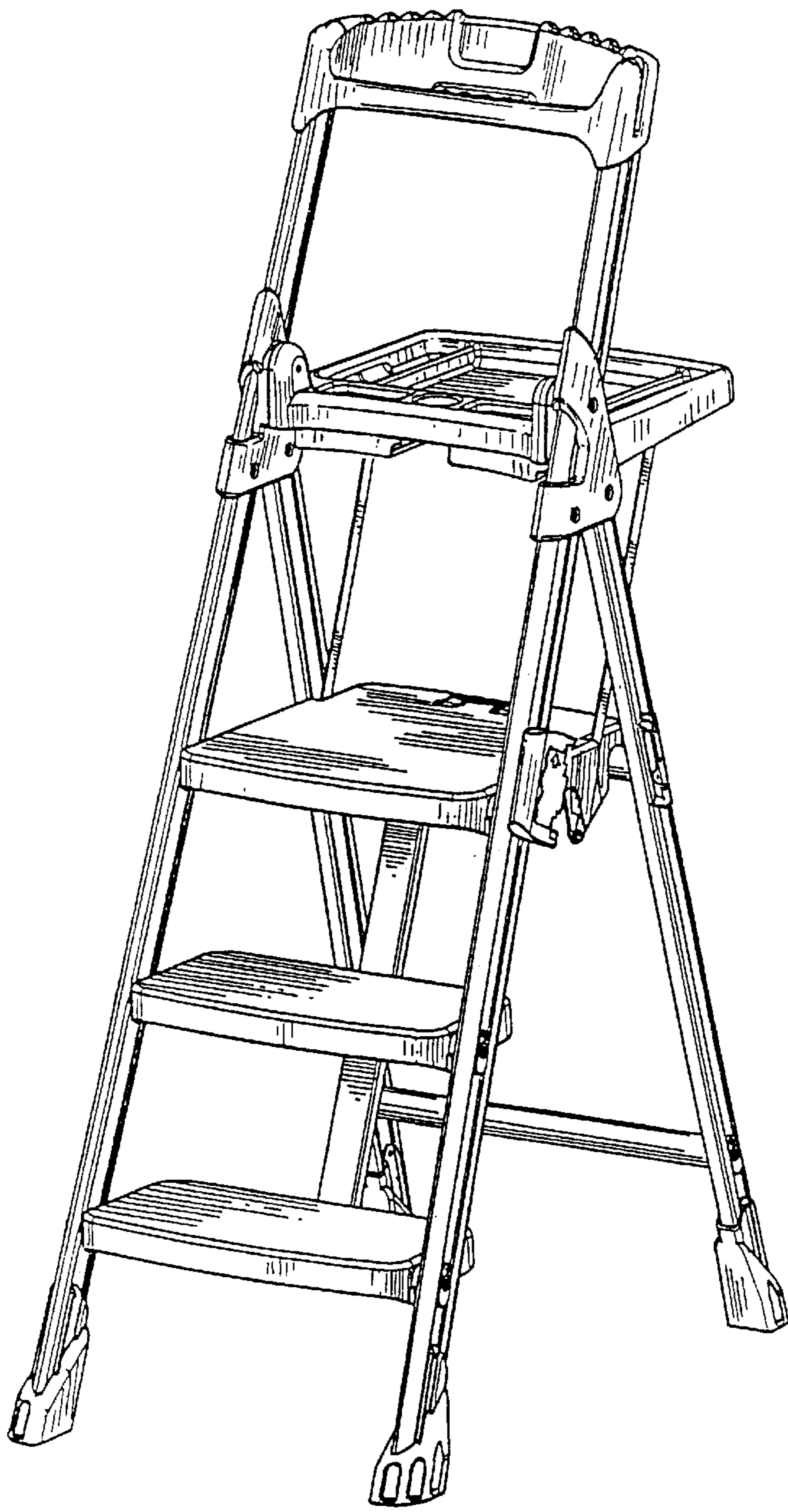


FIG. 1

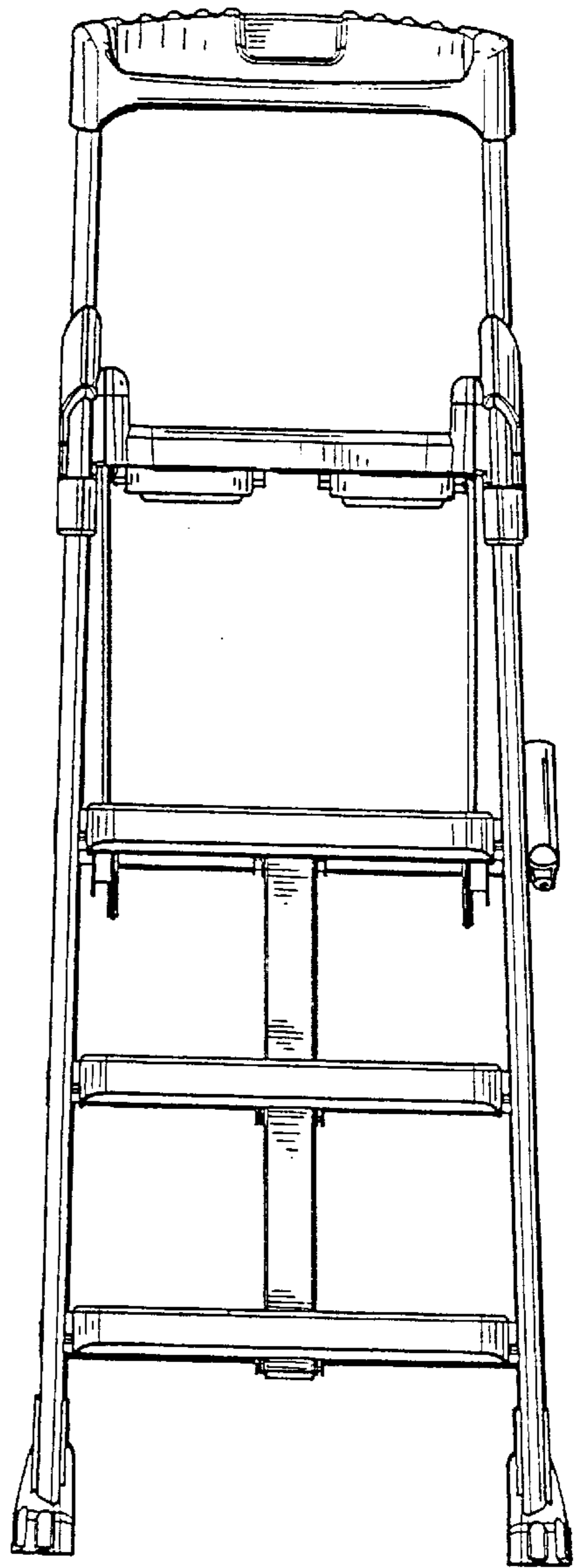


FIG. 2

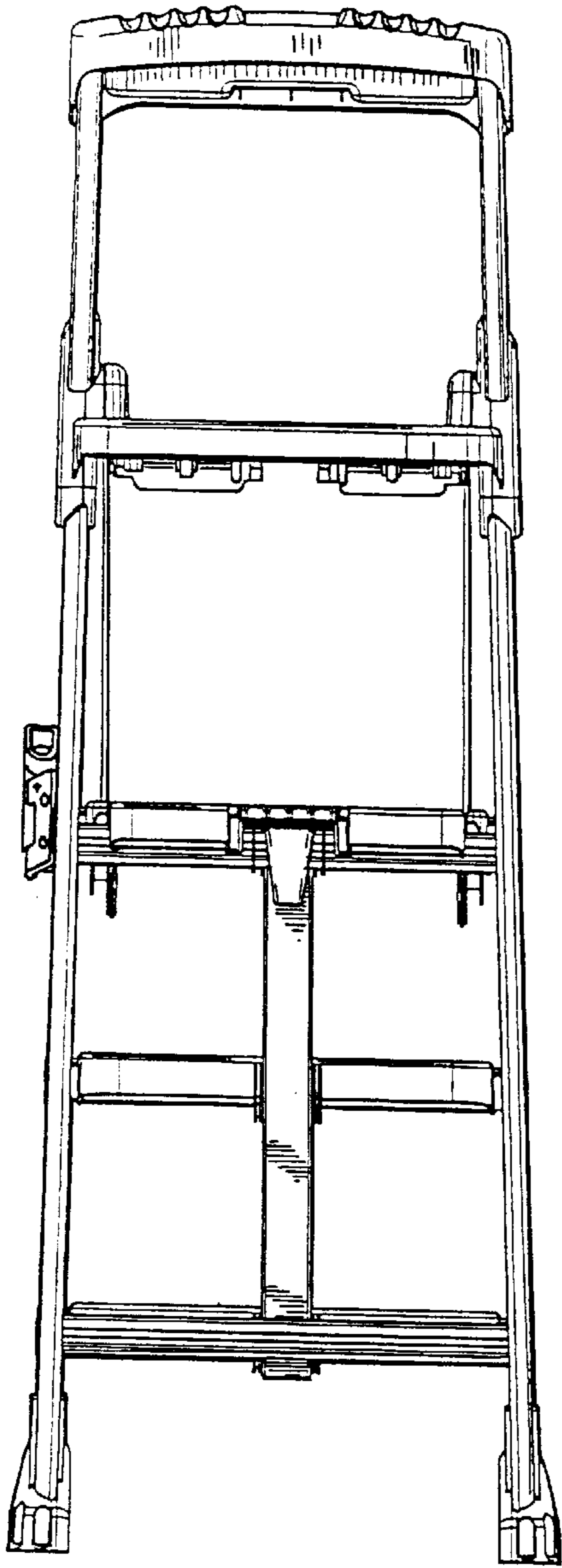
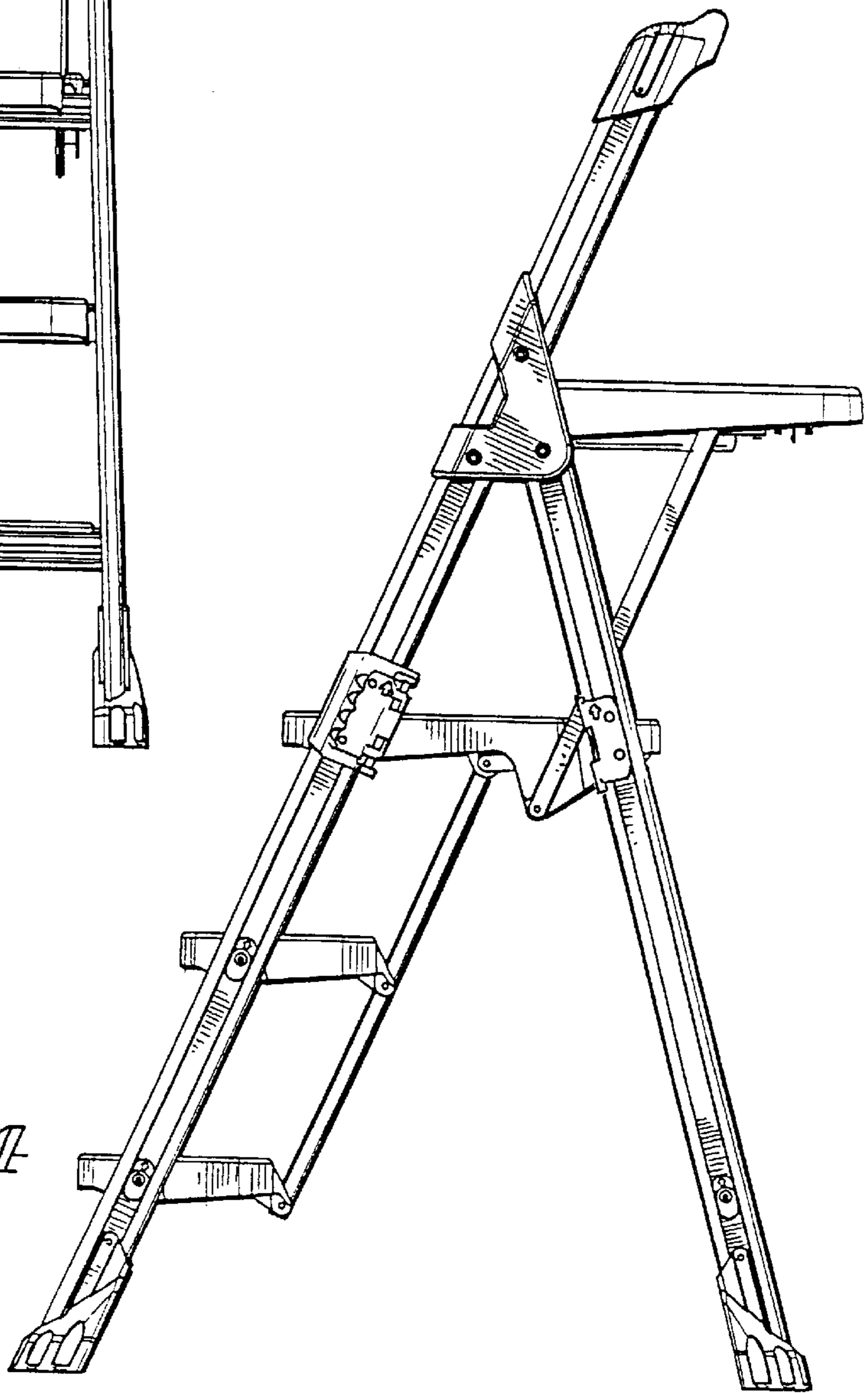


FIG. 3

FIG. 4



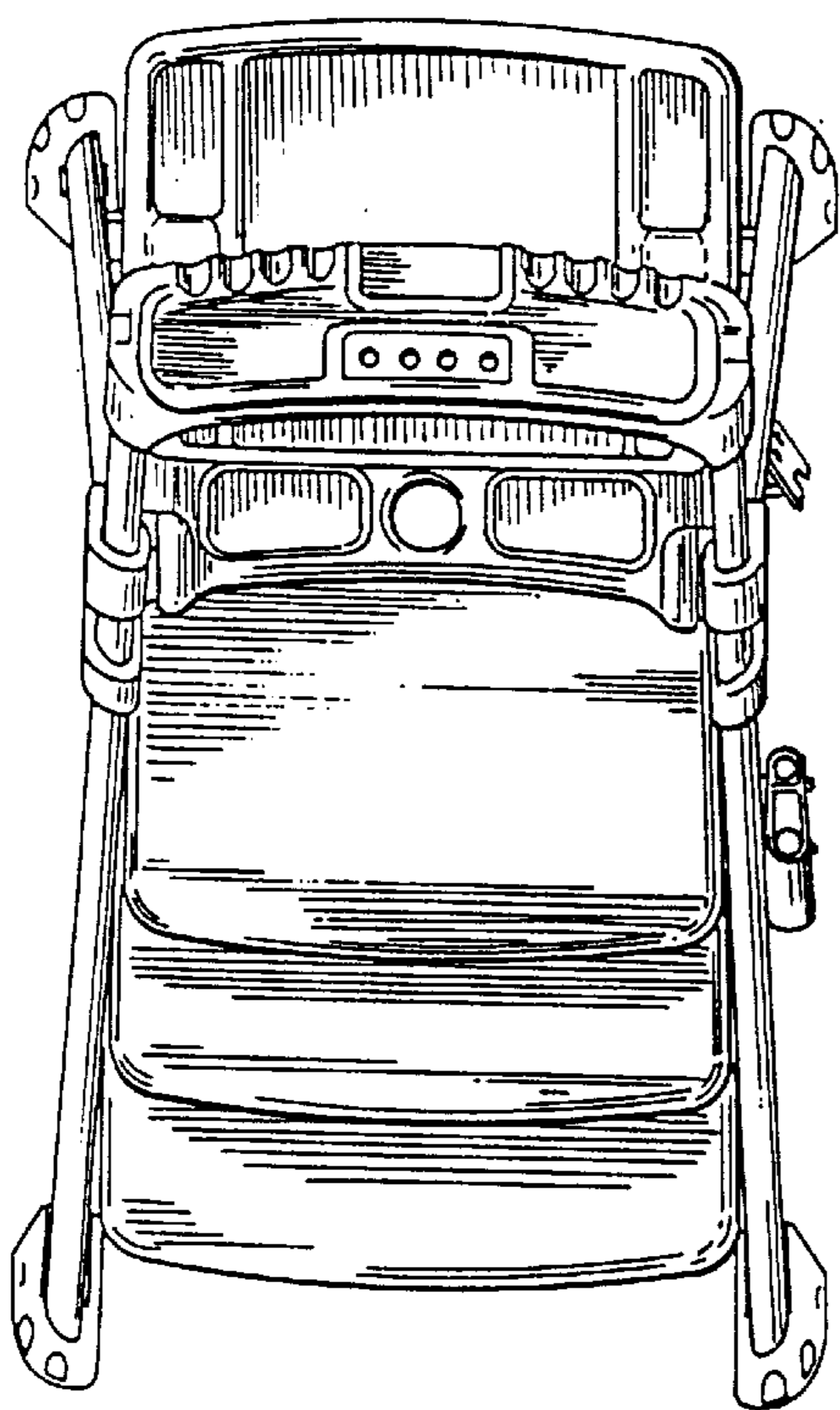


FIG. 5

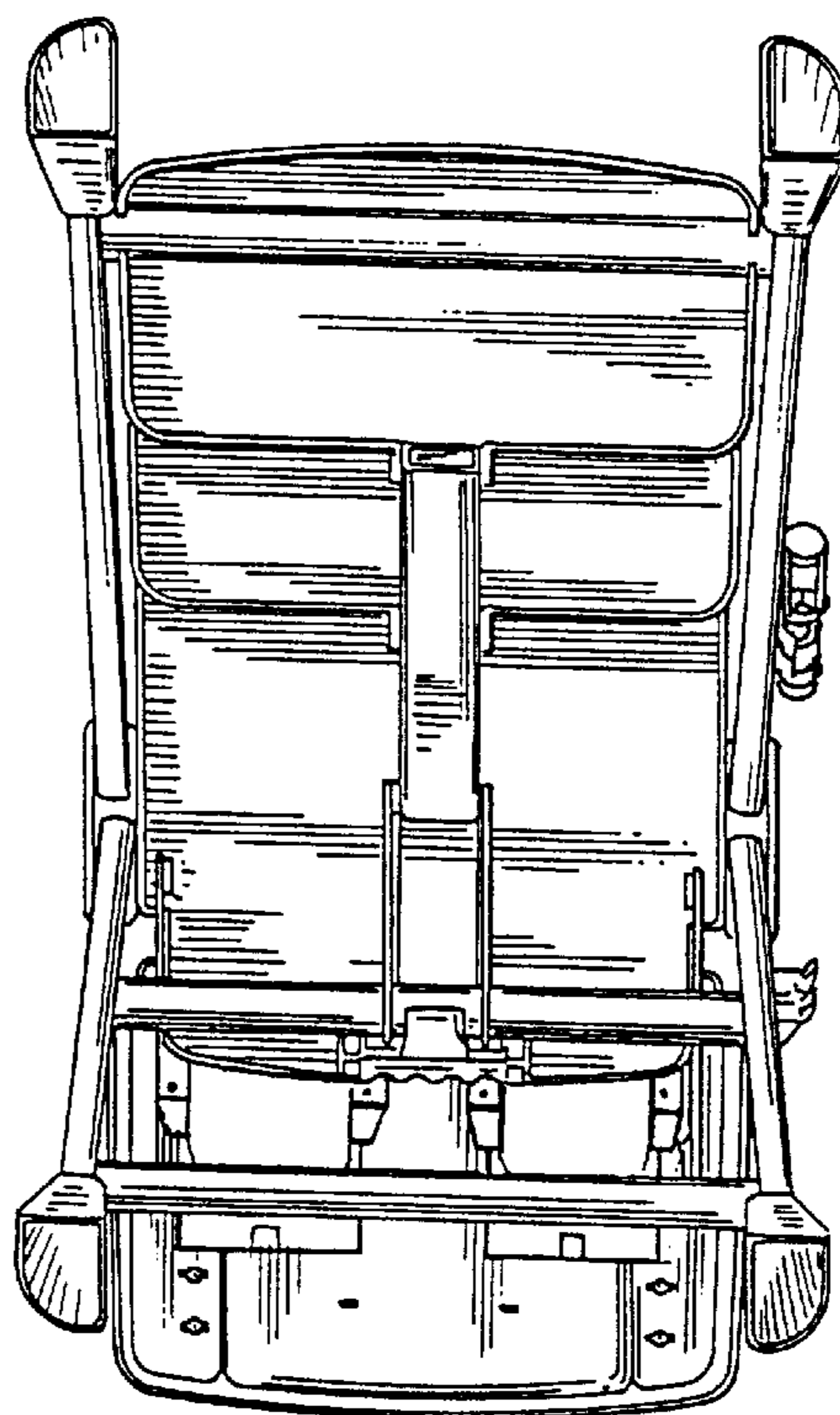


FIG. 6

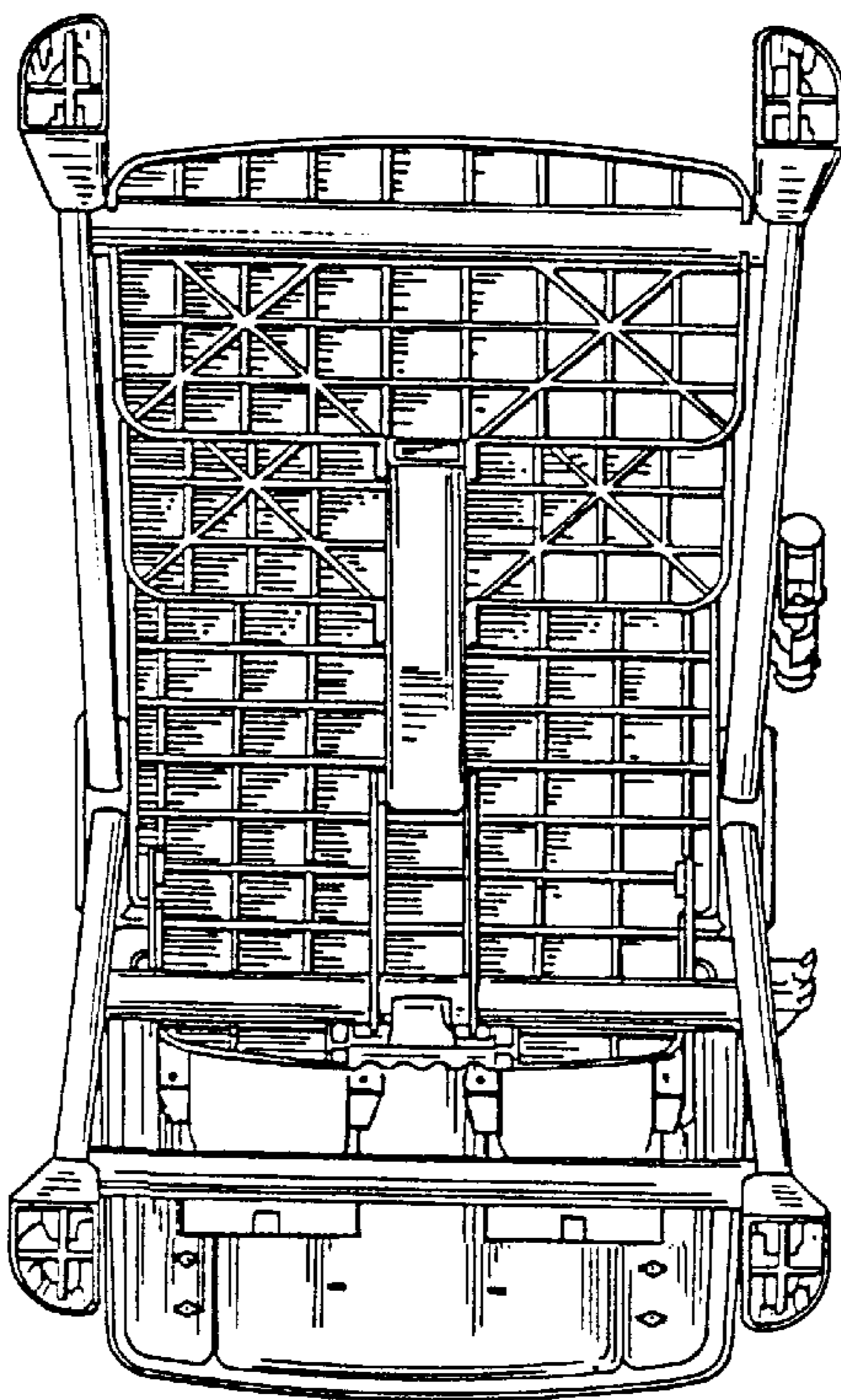


FIG. 7



FIG. 8

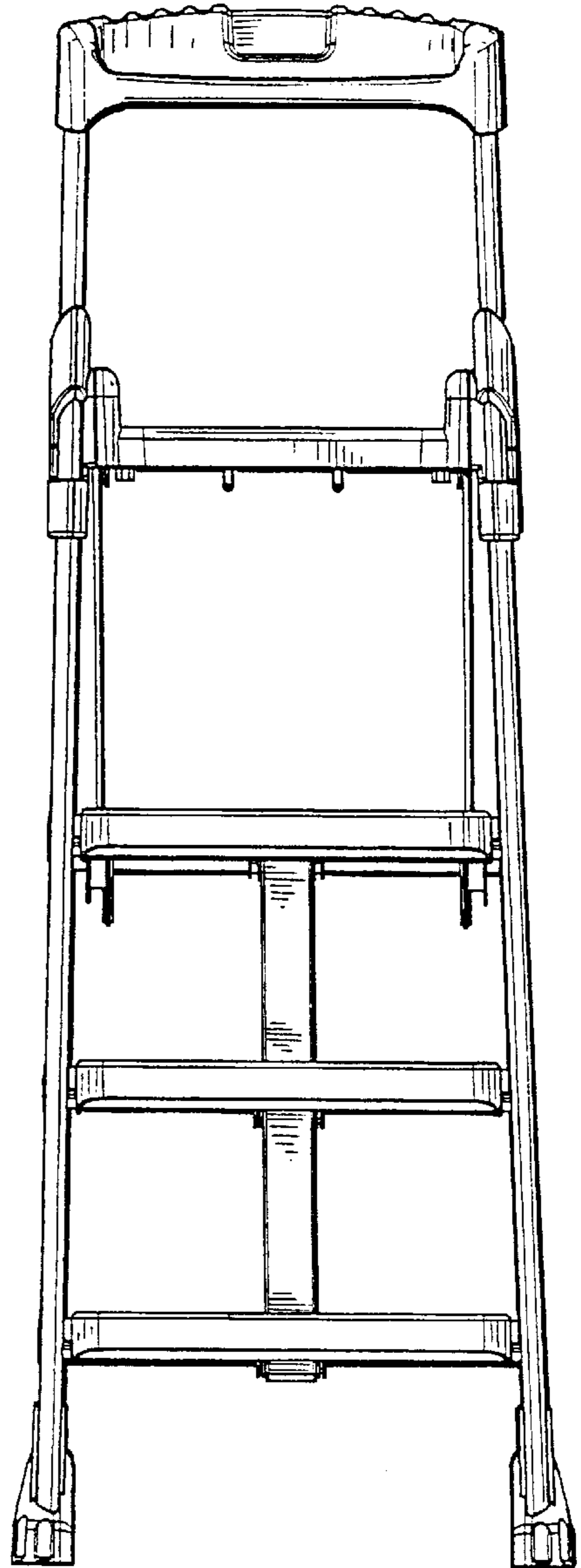


FIG. 9

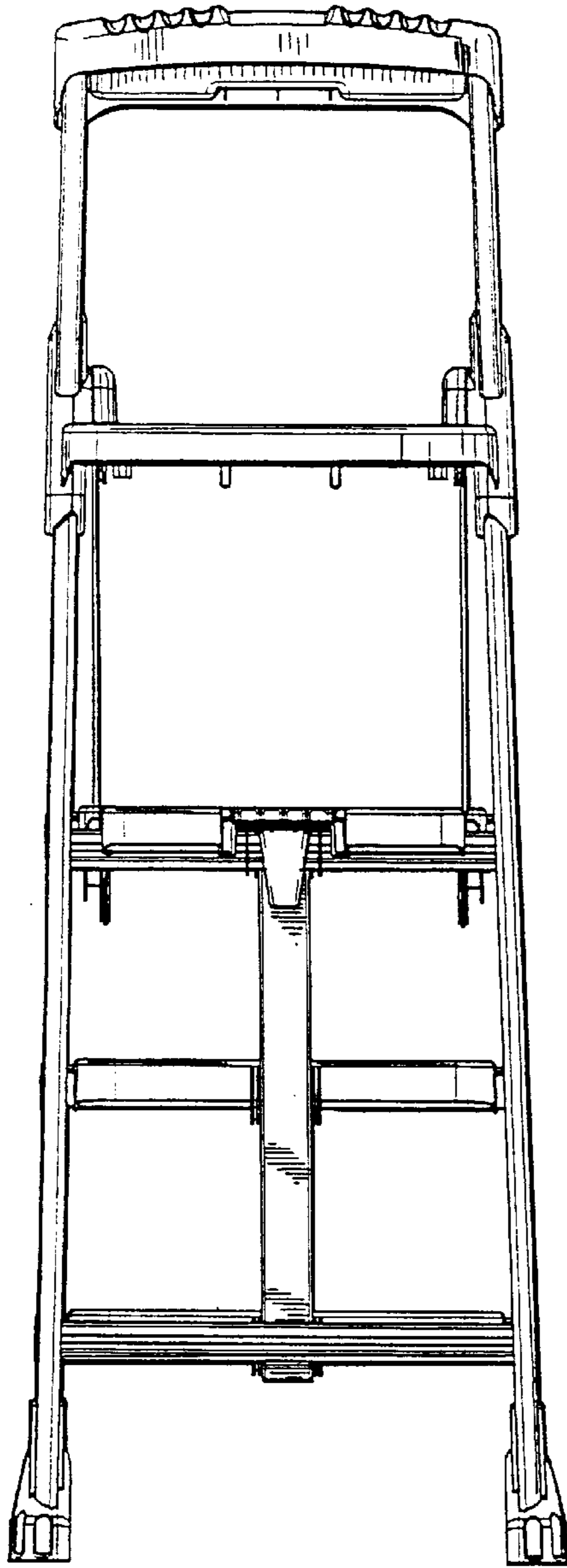
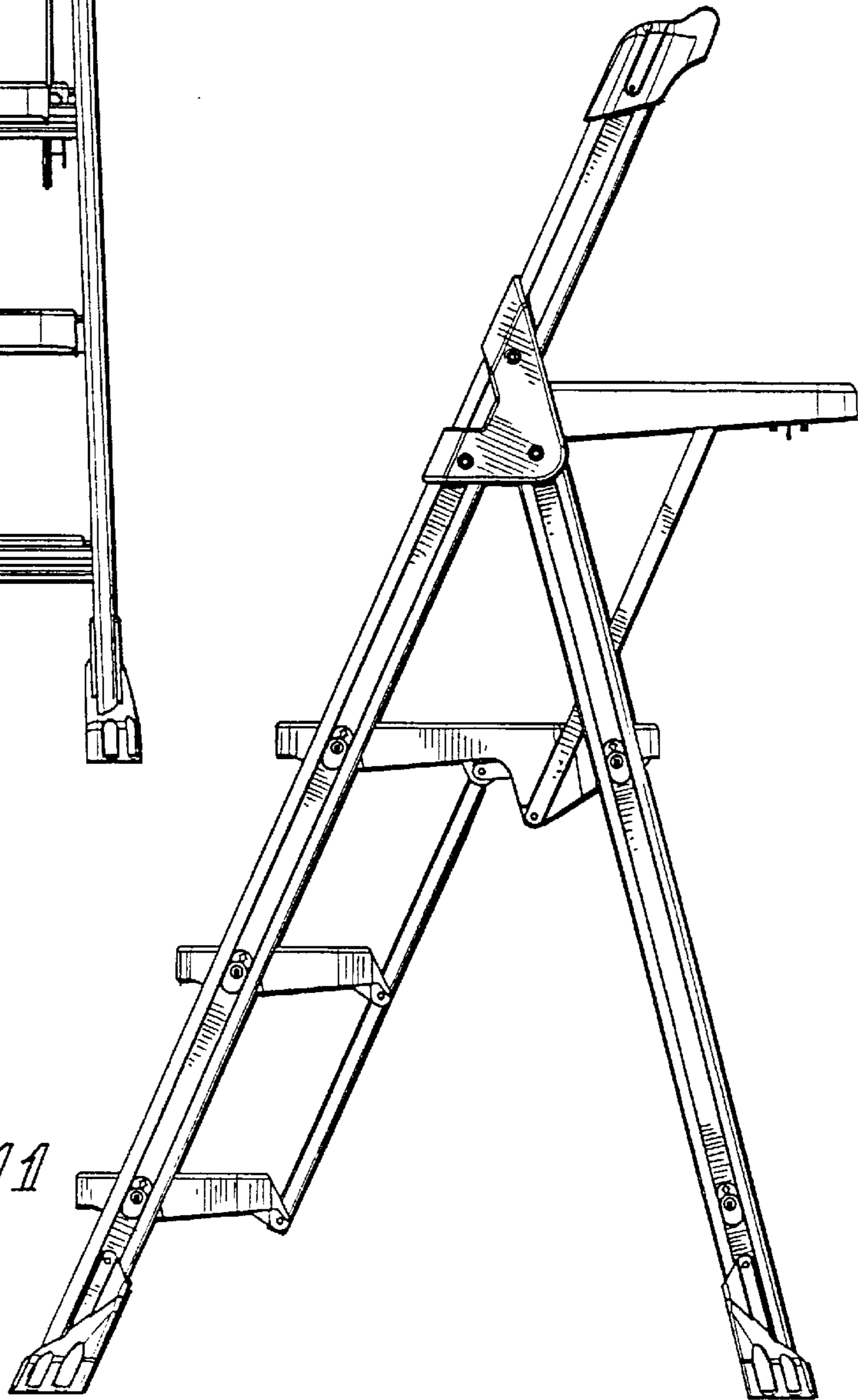


FIG. 10

FIG. 11



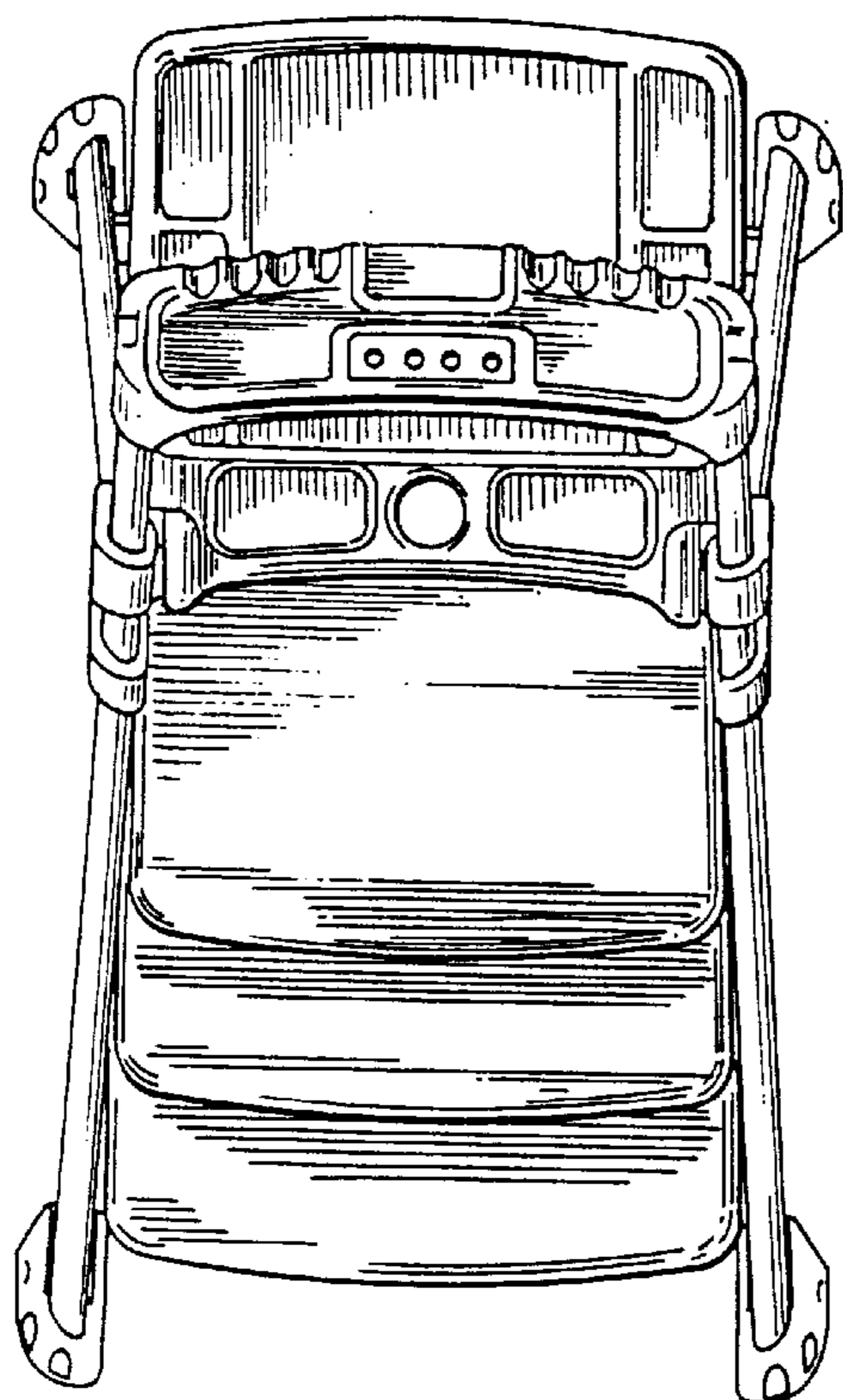


FIG. 12

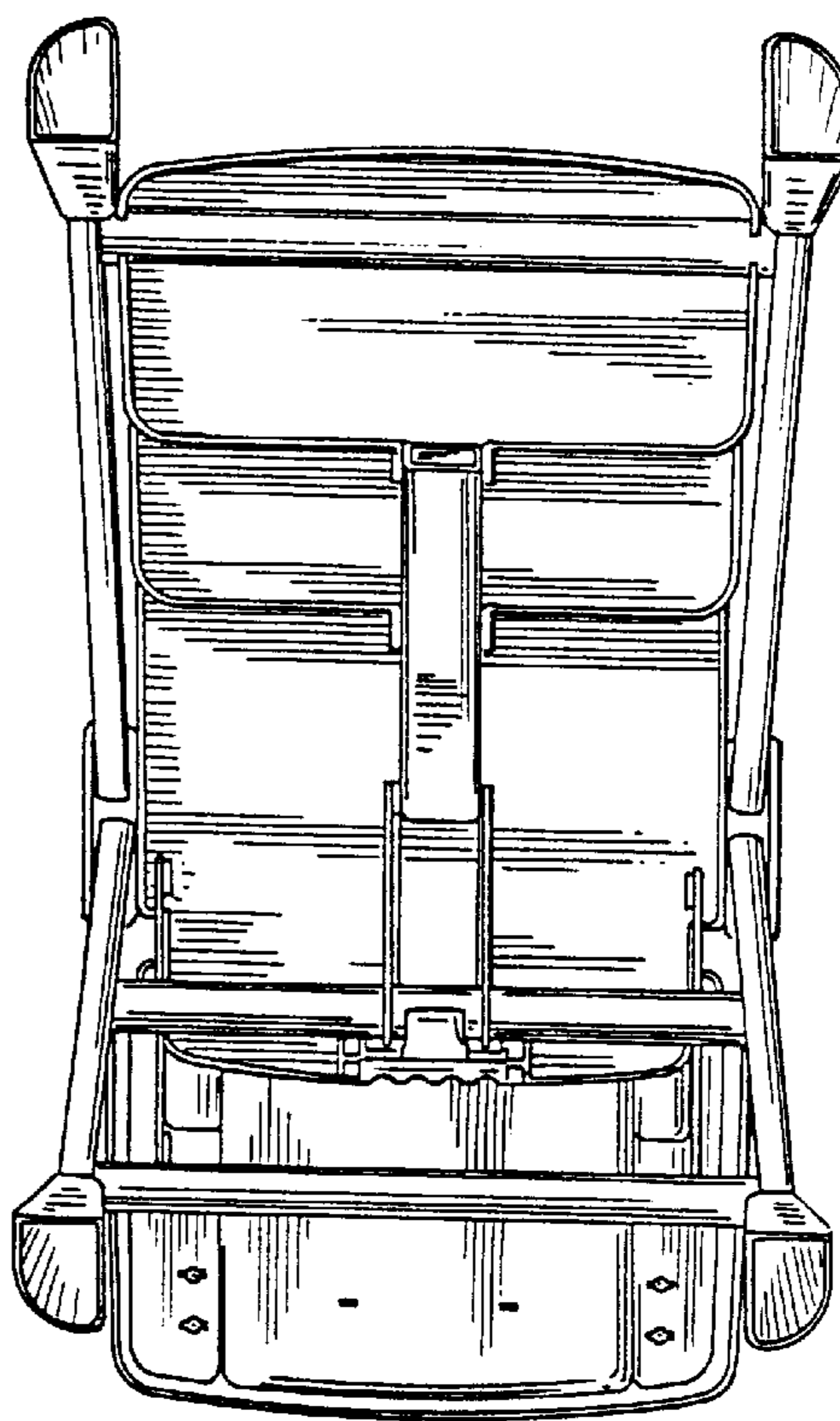


FIG. 13

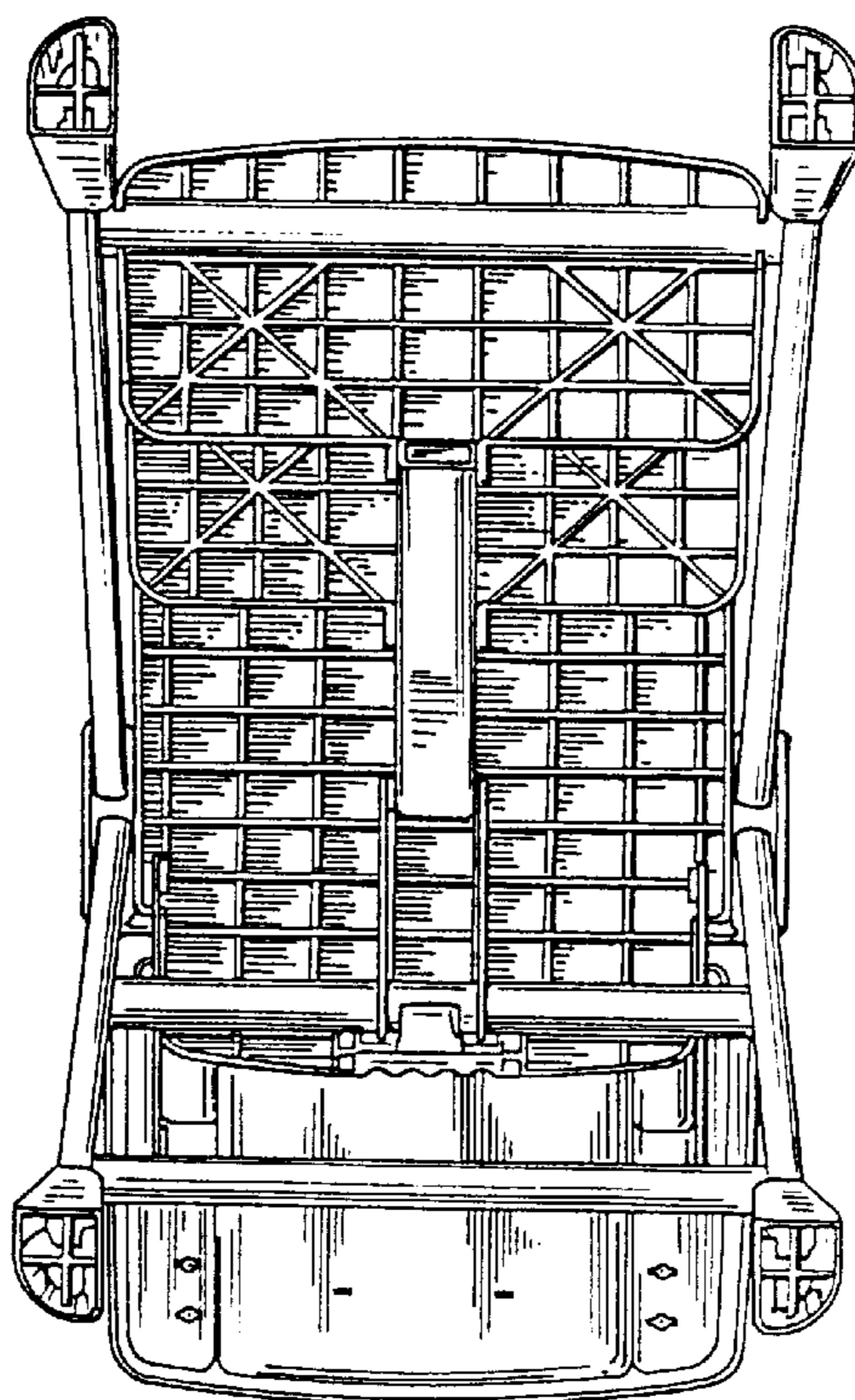


FIG. 14