



US00D433154S

United States Patent [19] Fisk

[11] Patent Number: **Des. 433,154**

[45] Date of Patent: **** Oct. 31, 2000**

[54] **HORIZONTALLY PERFORATED HALF-CIRCLE WINDOW COVERING**

[76] Inventor: **Robert Fisk**, 3441 King Arthur Dr., Garland, Tex. 75044

[**] Term: **14 Years**

[21] Appl. No.: **29/122,204**

[22] Filed: **Apr. 24, 2000**

[51] **LOC (7) Cl.** **25-02**

[52] **U.S. Cl.** **D25/47**

[58] **Field of Search** D25/47; 52/473; 160/130, 218, 223, 104, 134; 49/74.1, 64

[56] **References Cited**

U.S. PATENT DOCUMENTS

153,405	7/1874	Van Horn .	
264,275	9/1882	Gee .	
314,393	3/1885	Paradise .	
D. 402,374	12/1998	Kinder D25/47
1,447,189	3/1923	Simon .	

4,332,414	6/1982	Surtin 160/134
4,861,090	8/1989	Gavrieli 160/134
5,471,789	12/1995	Faircloth 49/74.1
5,564,229	10/1996	Noska .	
5,608,990	3/1997	Kyle .	

Primary Examiner—Doris Clark
Attorney, Agent, or Firm—Patrick J. Glynn

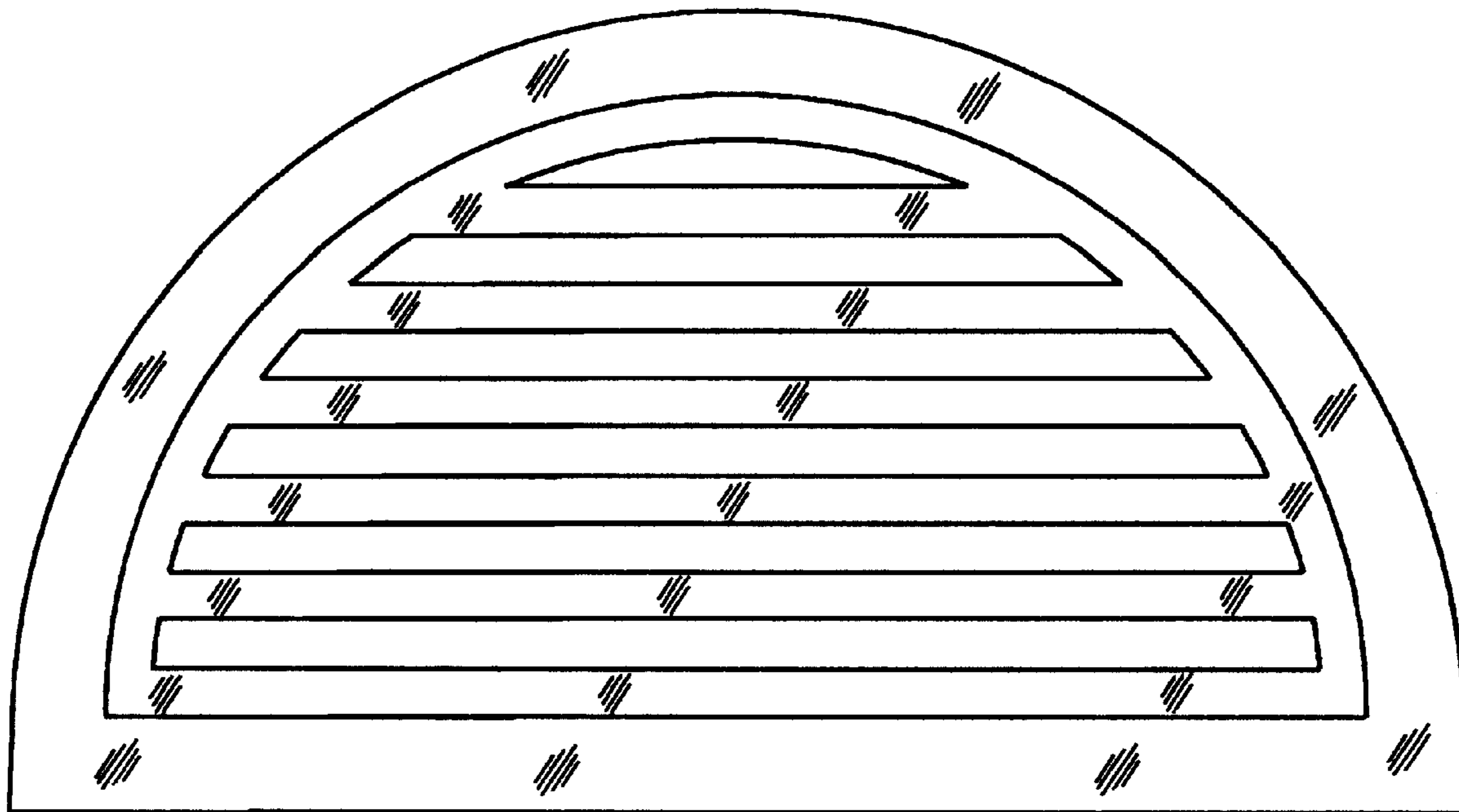
[57] **CLAIM**

The ornamental design for a horizontally perforated half-circle window covering, as shown and described.

DESCRIPTION

FIG. 1 is a front elevational view of a horizontally perforated half-circle window covering showing my new design; FIG. 2 is a rear elevational view thereof; FIG. 3 is a left side elevational view thereof, the right side being a mirror image thereof; FIG. 4 is a top plan view thereof; FIG. 5 is a front perspective view thereof; and, FIG. 6 is a rear perspective view.

1 Claim, 2 Drawing Sheets



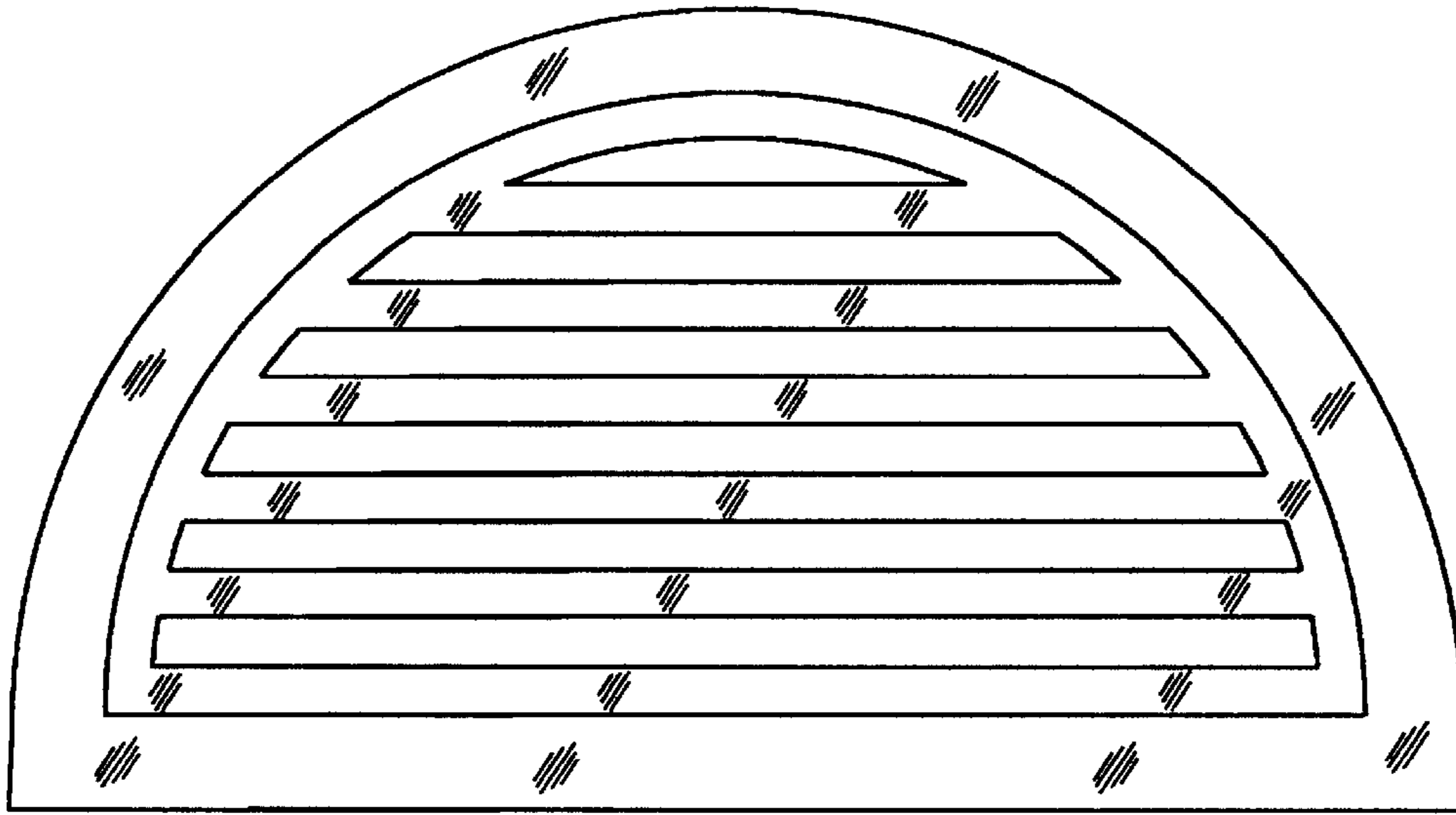


FIG. 1

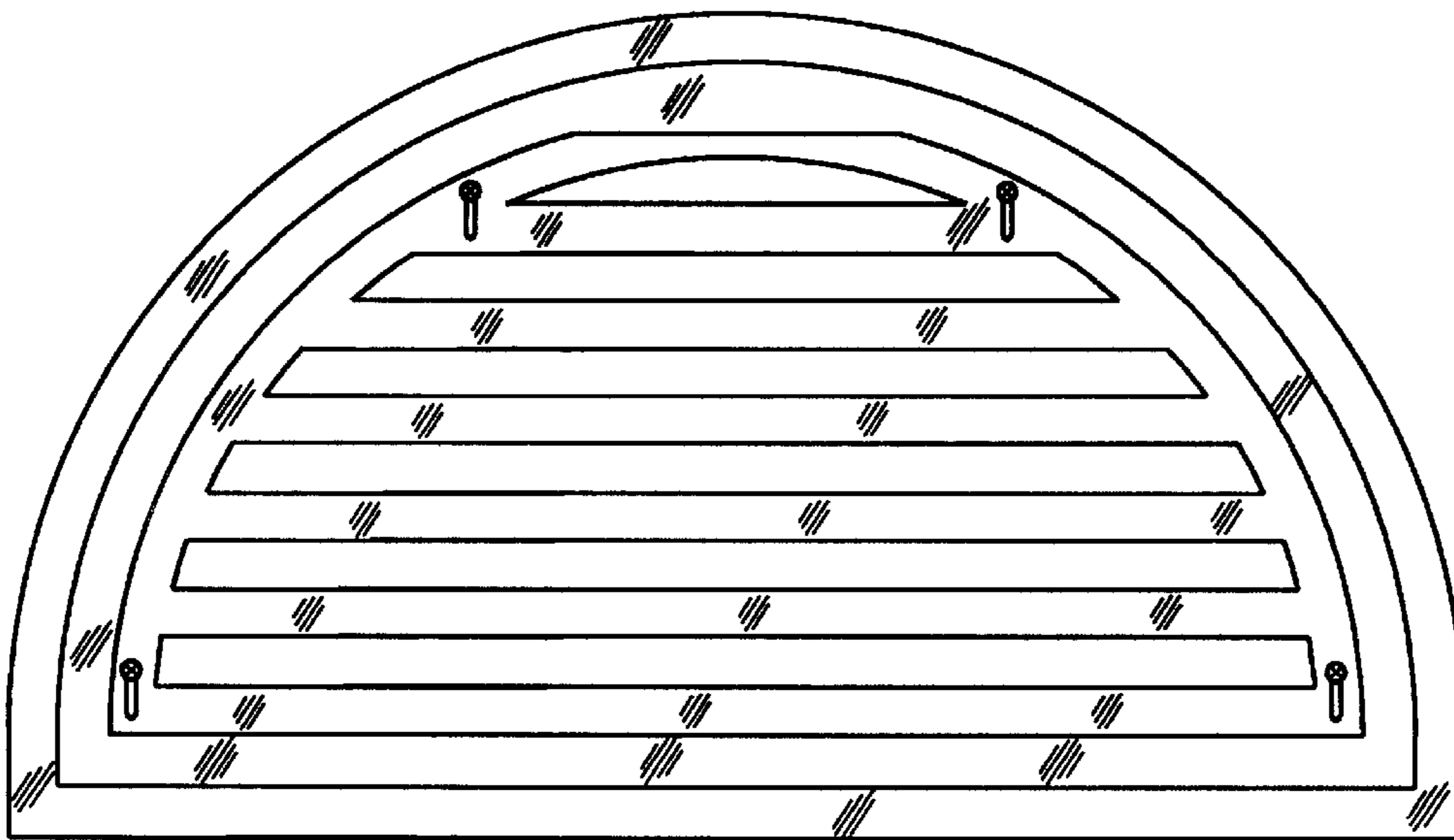


FIG. 2

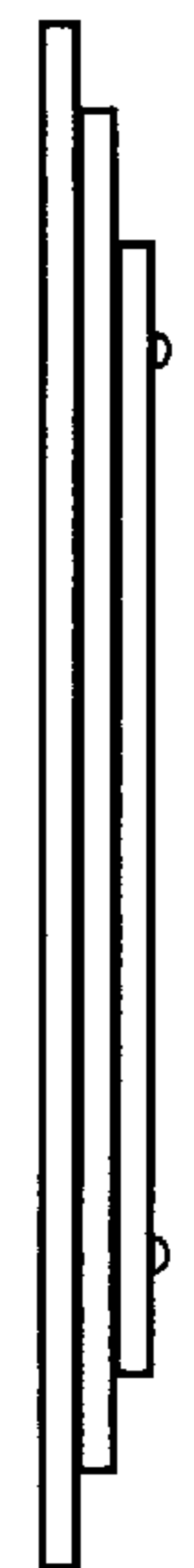


FIG. 3

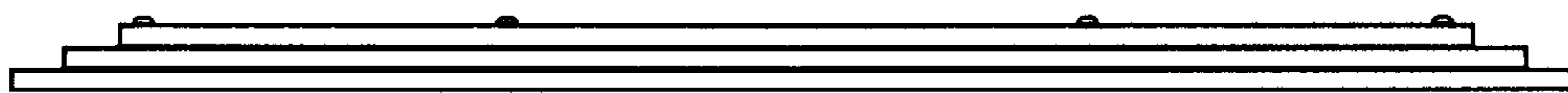


FIG. 4

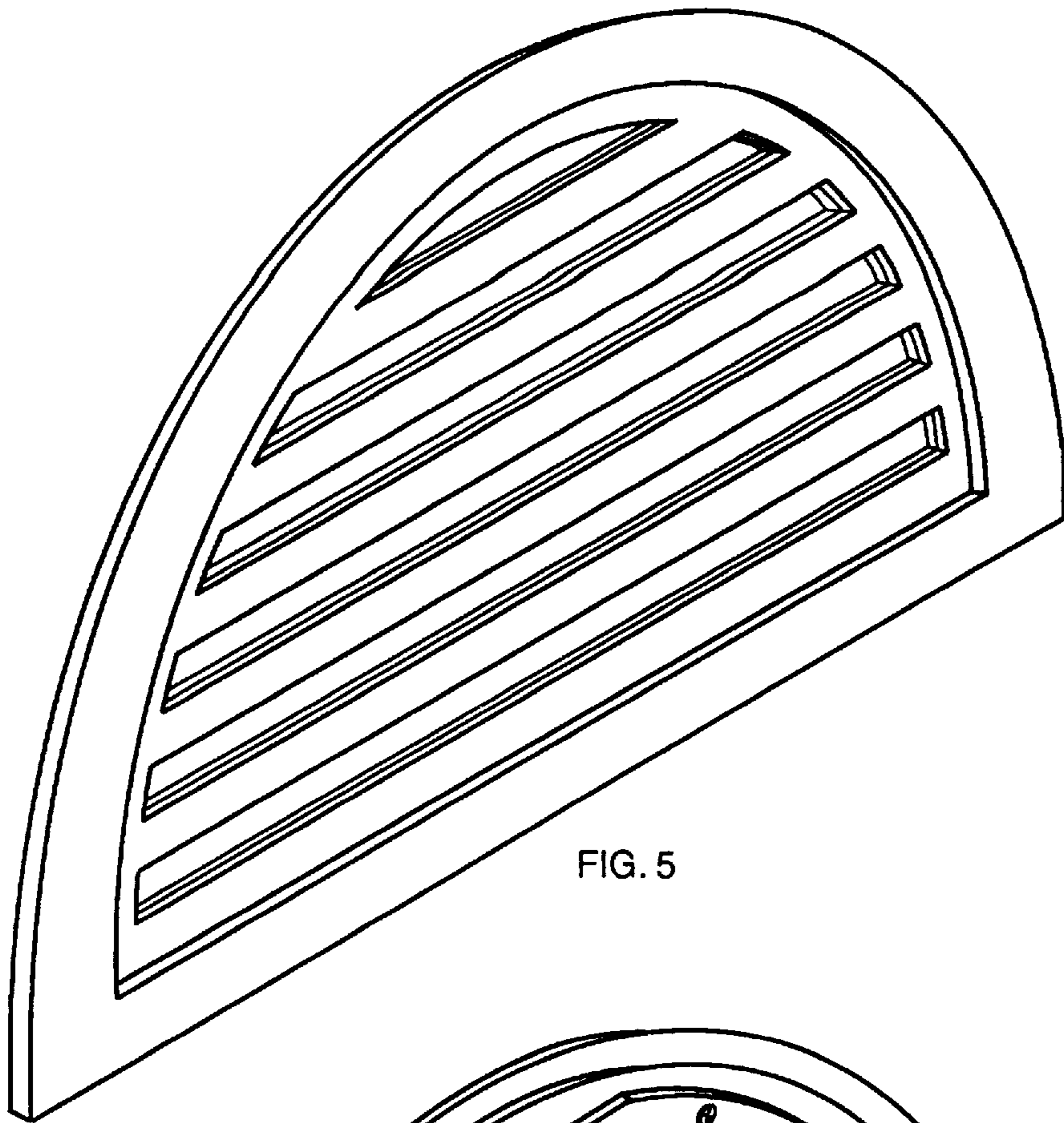


FIG. 5

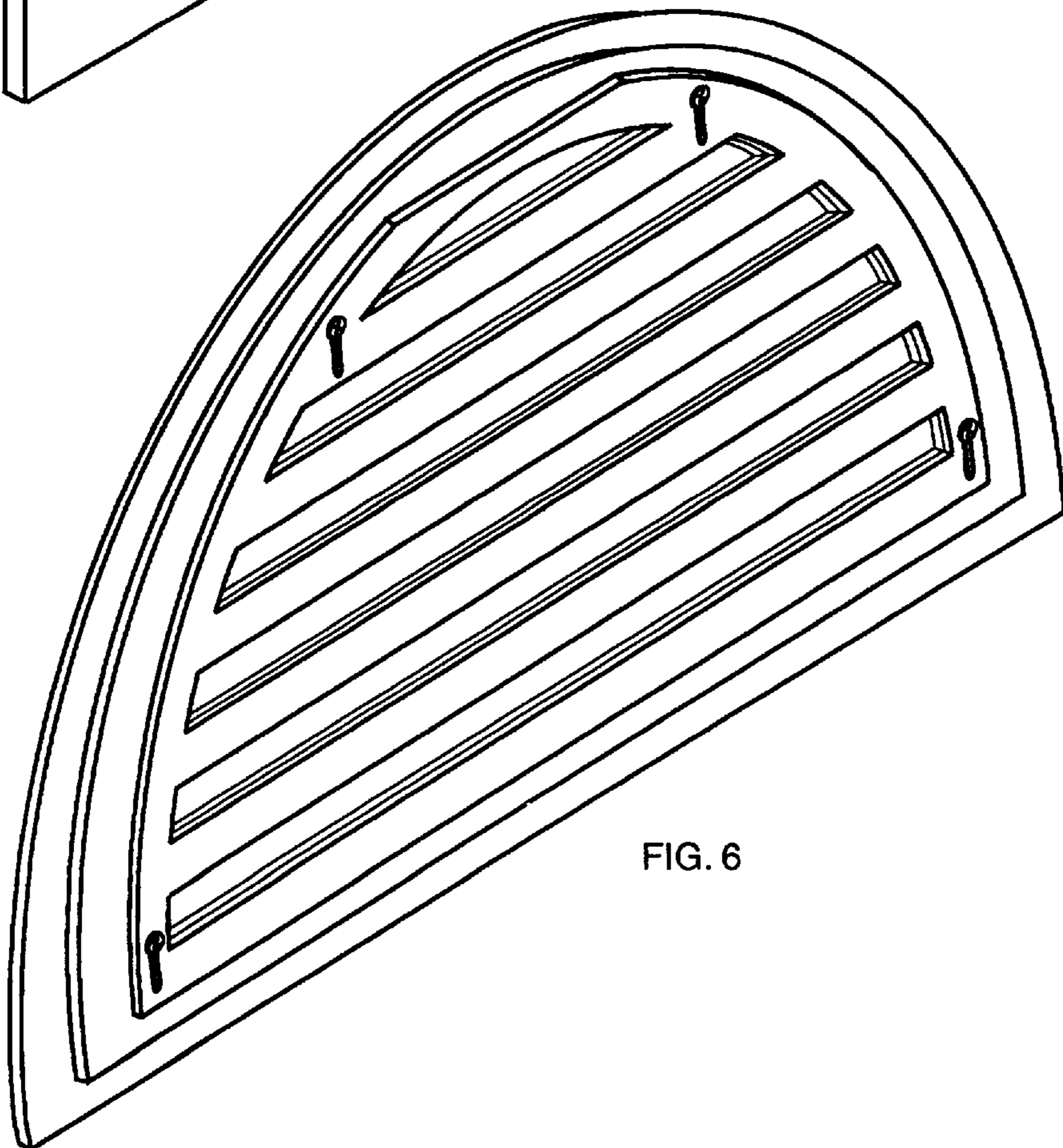


FIG. 6