



US00D433152S

United States Patent [19]
Masciarelli

[11] **Patent Number: Des. 433,152**

[45] **Date of Patent: ** Oct. 31, 2000**

[54] **SWIMMING POOL COFFERDAM**

[76] Inventor: **Joseph J. Masciarelli**, 10 Whitfield Way, Canton, Mass. 02021

[**] Term: **14 Years**

[21] Appl. No.: **29/117,757**

[22] Filed: **Feb. 1, 2000**

[51] **LOC (7) Cl.** **25-03**

[52] **U.S. Cl.** **D25/2**

[58] **Field of Search** 4/496, 506, 507,
4/508; D25/1, 2; 405/11, 13, 12, 275, 276,
272

[56] **References Cited**

U.S. PATENT DOCUMENTS

5,259,076	11/1993	Voight et al.	4/496
5,277,517	1/1994	McClellan	405/13
5,382,115	1/1995	Jones et al.	405/226
5,595,459	1/1997	LoMonaco	405/272

Primary Examiner—Doris Clark
Attorney, Agent, or Firm—John P. McGonagle

[57] **CLAIM**

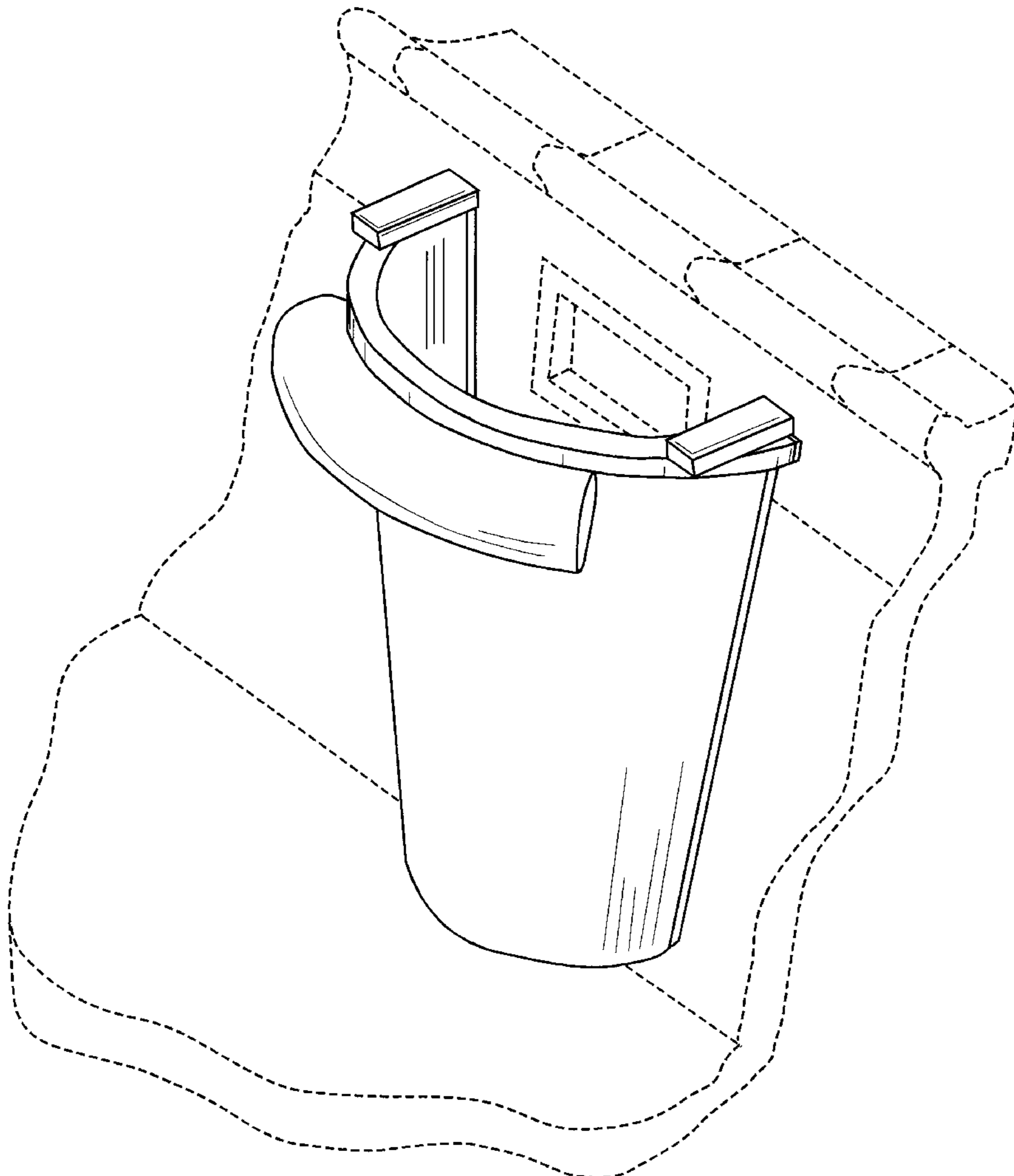
The ornamental design for a swimming pool cofferdam, as shown and described.

DESCRIPTION

FIG. 1 is a perspective view of a swimming pool cofferdam embodying my new design;
FIG. 2 is a top view thereof;
FIG. 3 is a rear elevational view thereof;
FIG. 4 is a bottom view thereof;
FIG. 5 is a front elevational view thereof; and,
FIG. 6 is a side elevational view, the opposite side being a mirror image thereof.

The broken line showing of swimming pool side and water level in FIG. 1 are for illustrative purposes only and form no part of the claimed design.

1 Claim, 2 Drawing Sheets



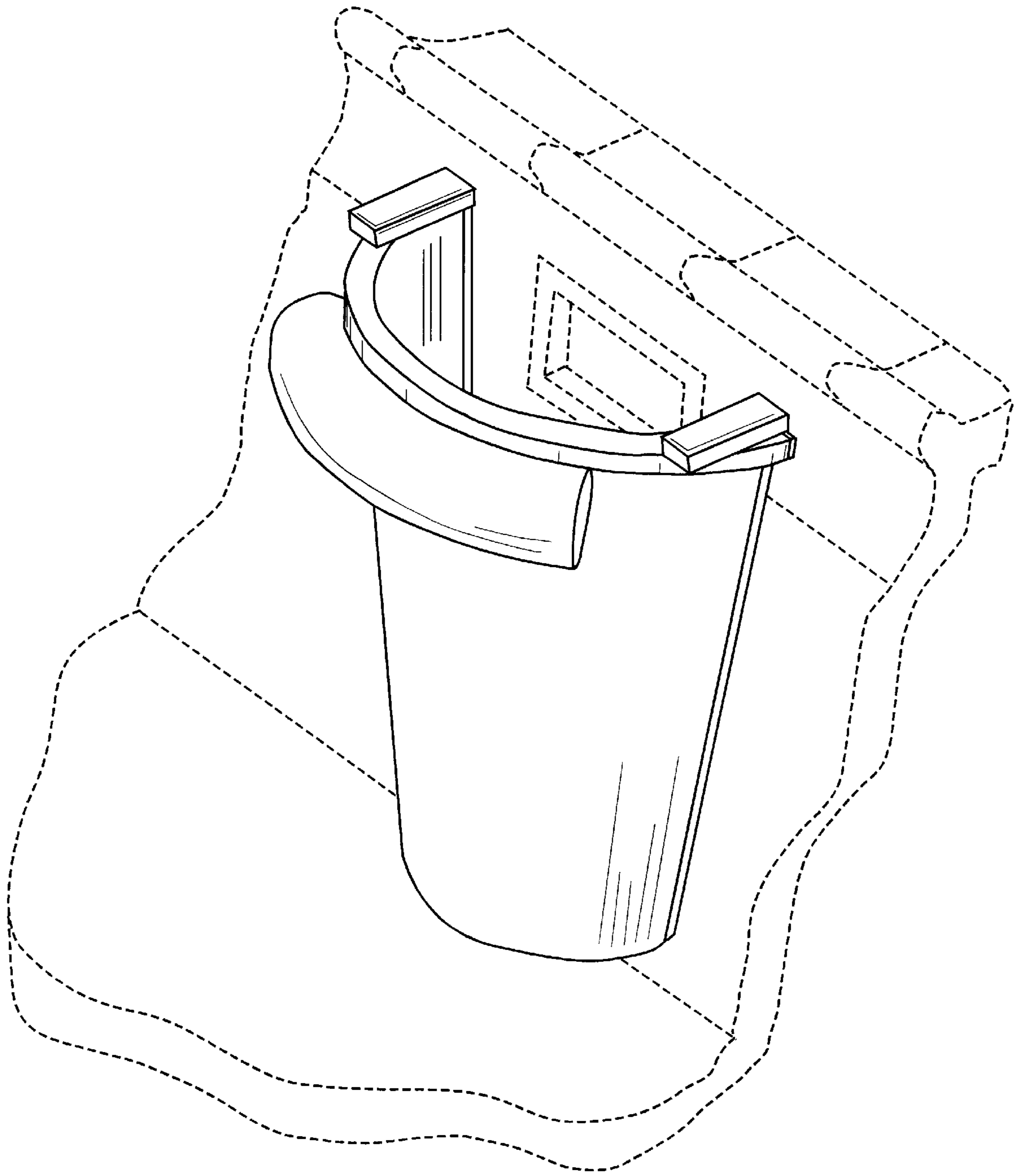


FIG. 1

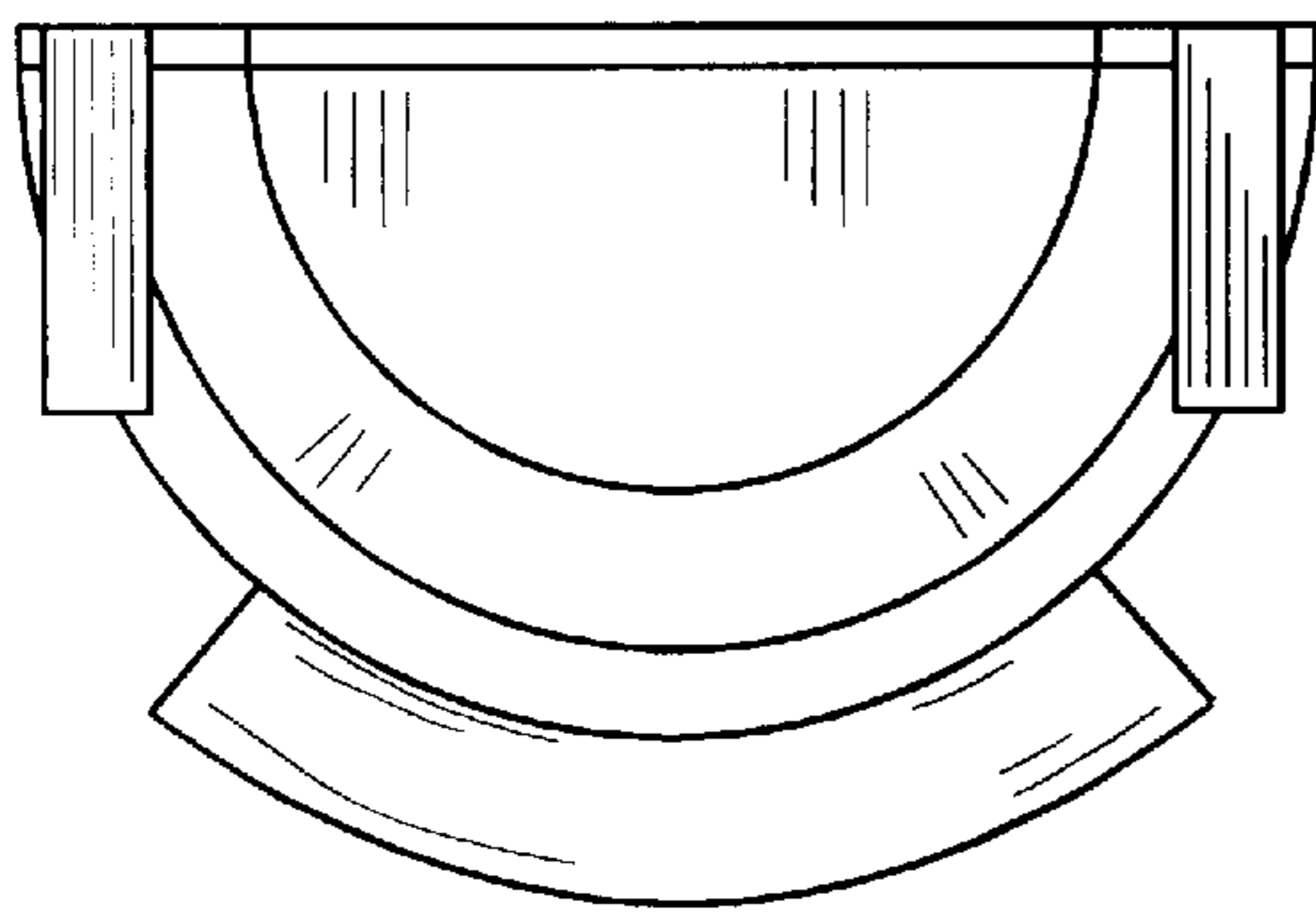


FIG. 2

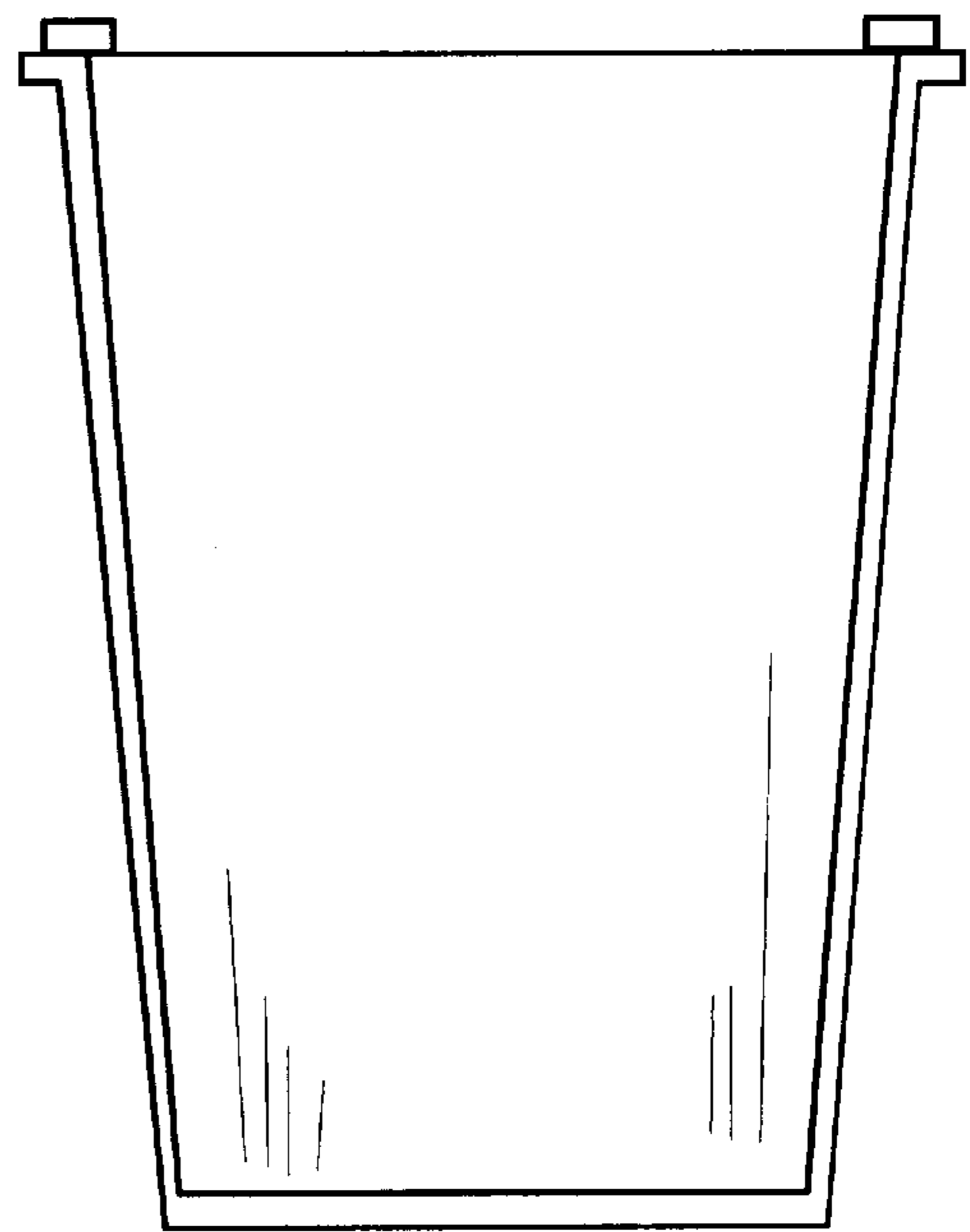


FIG. 5

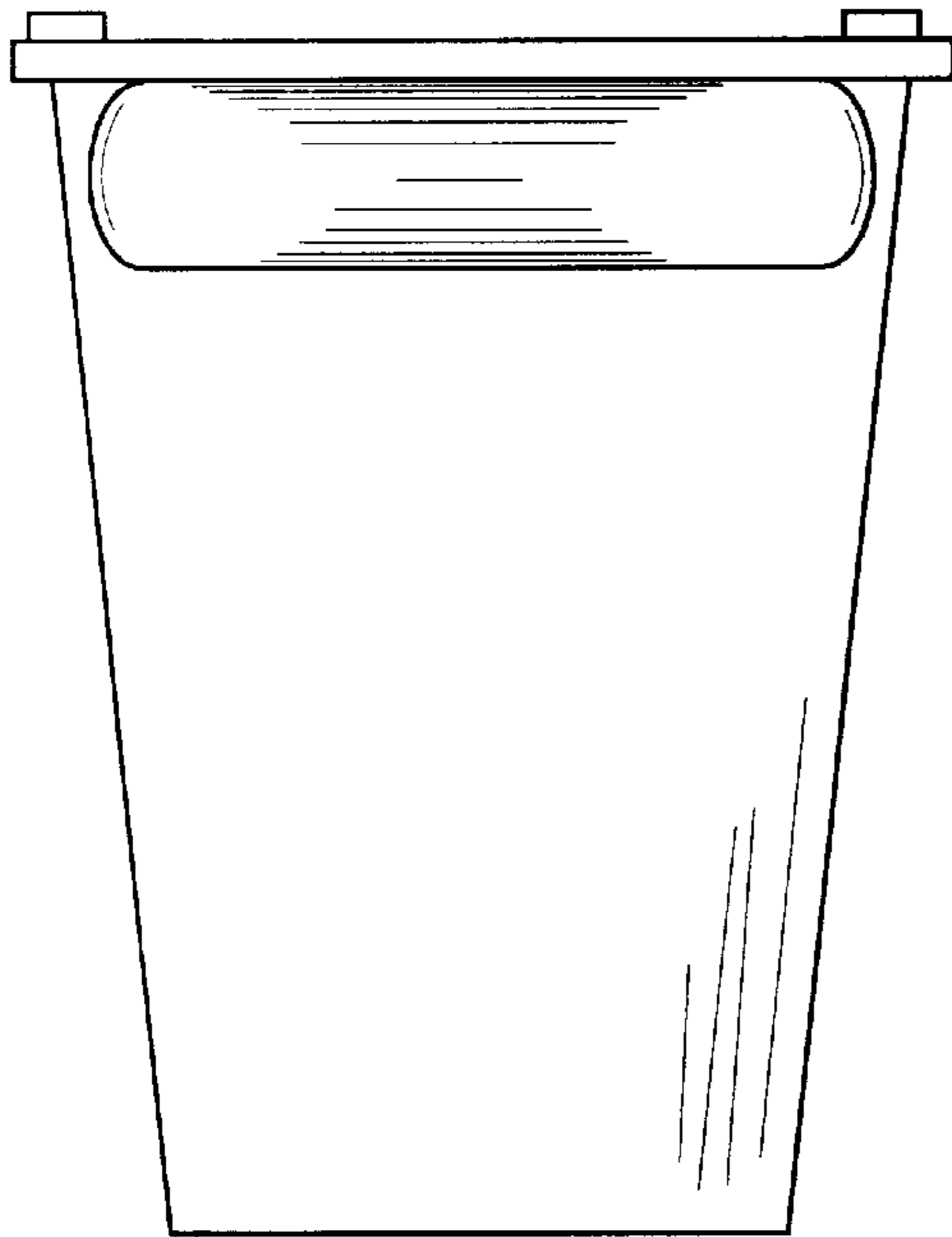


FIG. 3

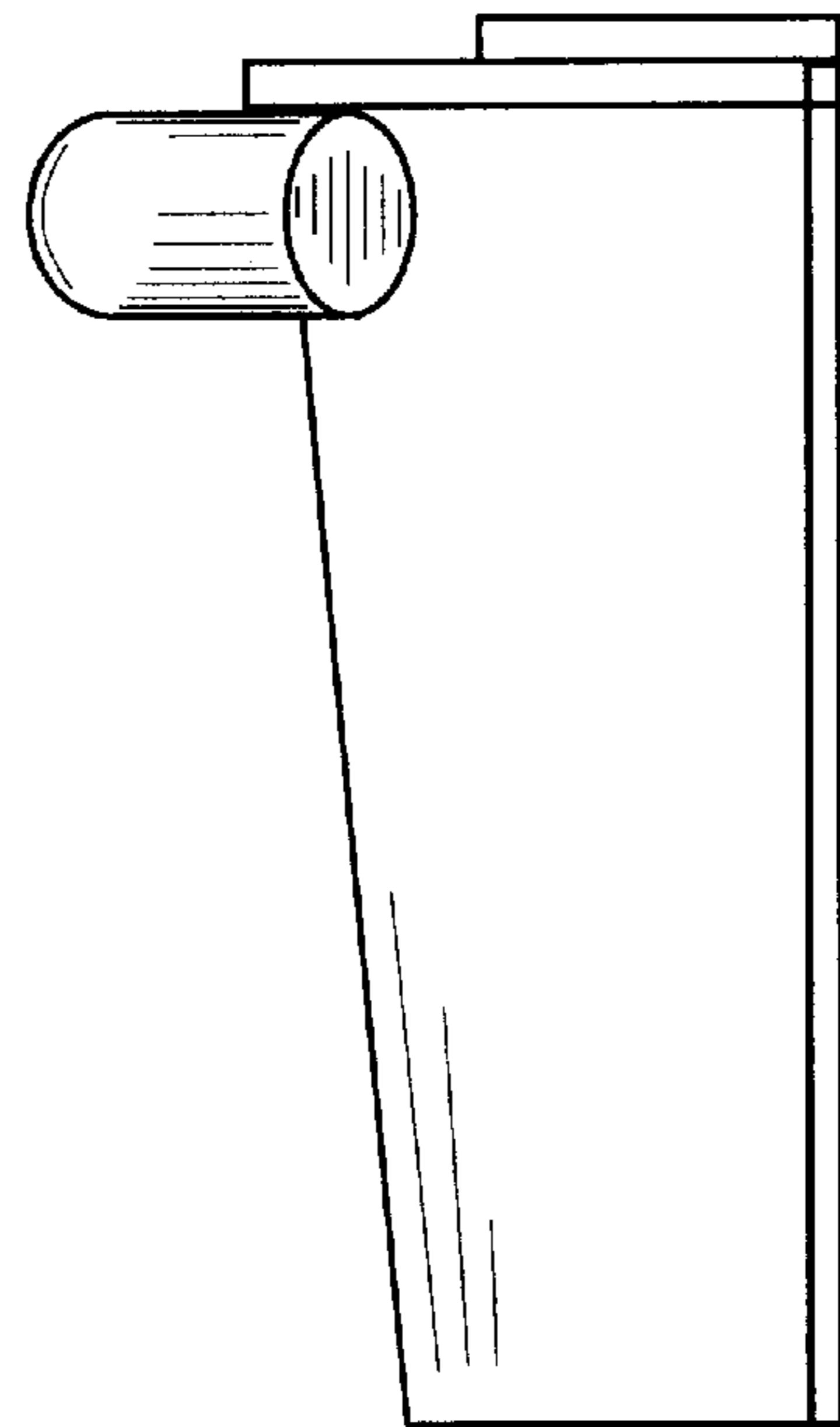


FIG. 6

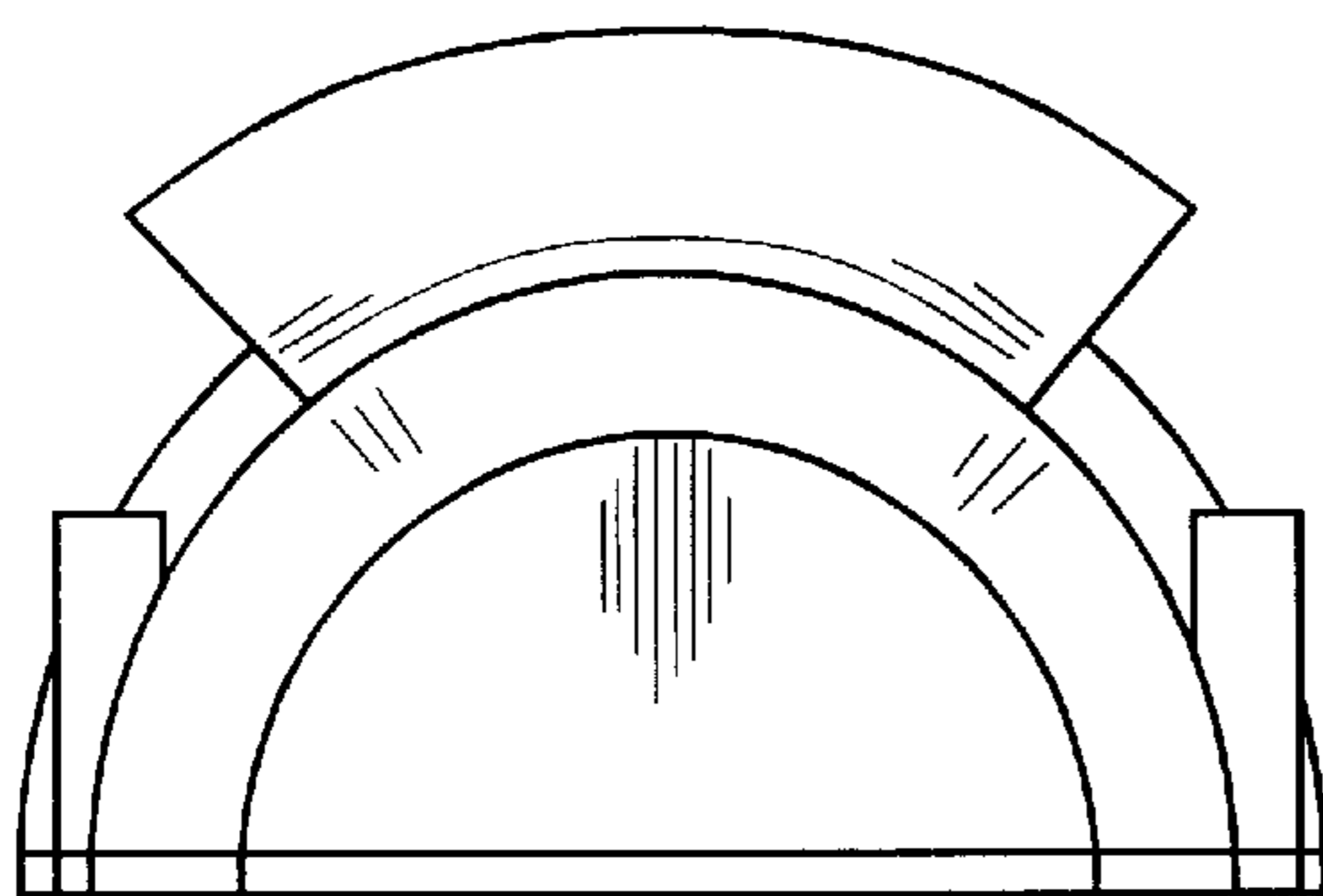


FIG. 4