



US00D433150S

# United States Patent [19]

Wahlqvist et al.

[11] Patent Number: **Des. 433,150**

[45] Date of Patent: **\*\* Oct. 31, 2000**

[54] **MICROCUVETTE**

[75] Inventors: **Stefan Wahlqvist**, Ängelholm; **Norbert Pogorzelski**, Helsingborg, both of Sweden

[73] Assignee: **Hemocue AB**, Ängelholm, Sweden

[\*\*] Term: **14 Years**

[21] Appl. No.: **29/105,281**

[22] Filed: **May 21, 1999**

[30] **Foreign Application Priority Data**

Nov. 24, 1998 [SE] Sweden ..... 98 2310

[51] **LOC (7) Cl.** ..... **24-02**

[52] **U.S. Cl.** ..... **D24/224**

[58] **Field of Search** ..... D24/224, 216;  
422/102, 104, 67; 356/246

[56] **References Cited**

**U.S. PATENT DOCUMENTS**

D. 278,182 3/1985 Aihara et al. .... D24/224

D. 337,388 7/1993 Nilsson et al. .... D24/224  
D. 353,676 12/1994 Kelln et al. .... D24/224  
4,695,164 9/1987 Zivitz et al. .... 356/246  
5,674,457 10/1997 Williamsson et al. .... 422/102

*Primary Examiner*—Ian Simmons  
*Attorney, Agent, or Firm*—Burns, Doane, Swecker & Mathis, L.L.P.

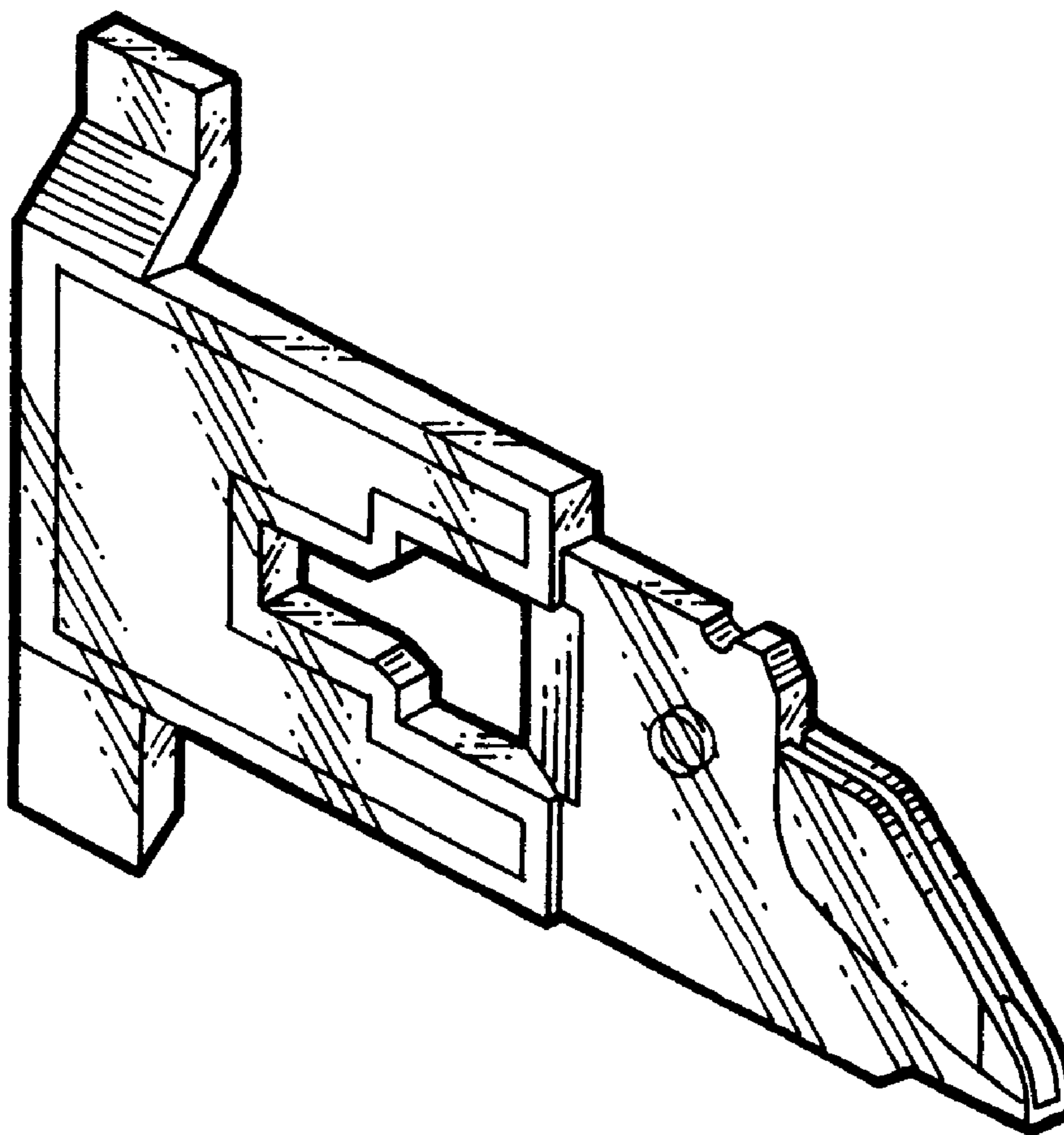
[57] **CLAIM**

The ornamental design for a microcuvette, as shown and described.

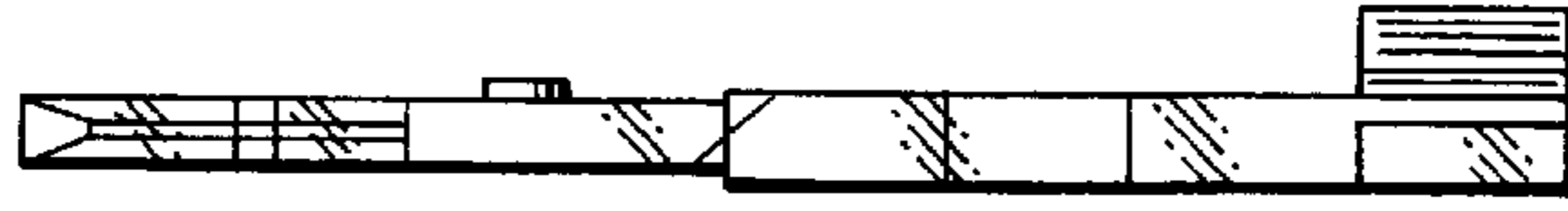
**DESCRIPTION**

FIG. 1 is a side elevational view of a microcuvette embodying the present invention;  
FIG. 2 is a rear end view thereof;  
FIG. 3 is a top plan view thereof;  
FIG. 4 is a front end view thereof;  
FIG. 5 is a side elevational view taken from the opposite side from FIG. 1;  
FIG. 6 is a bottom plan view thereof; and,  
FIG. 7 is a perspective view thereof.

**1 Claim, 1 Drawing Sheet**



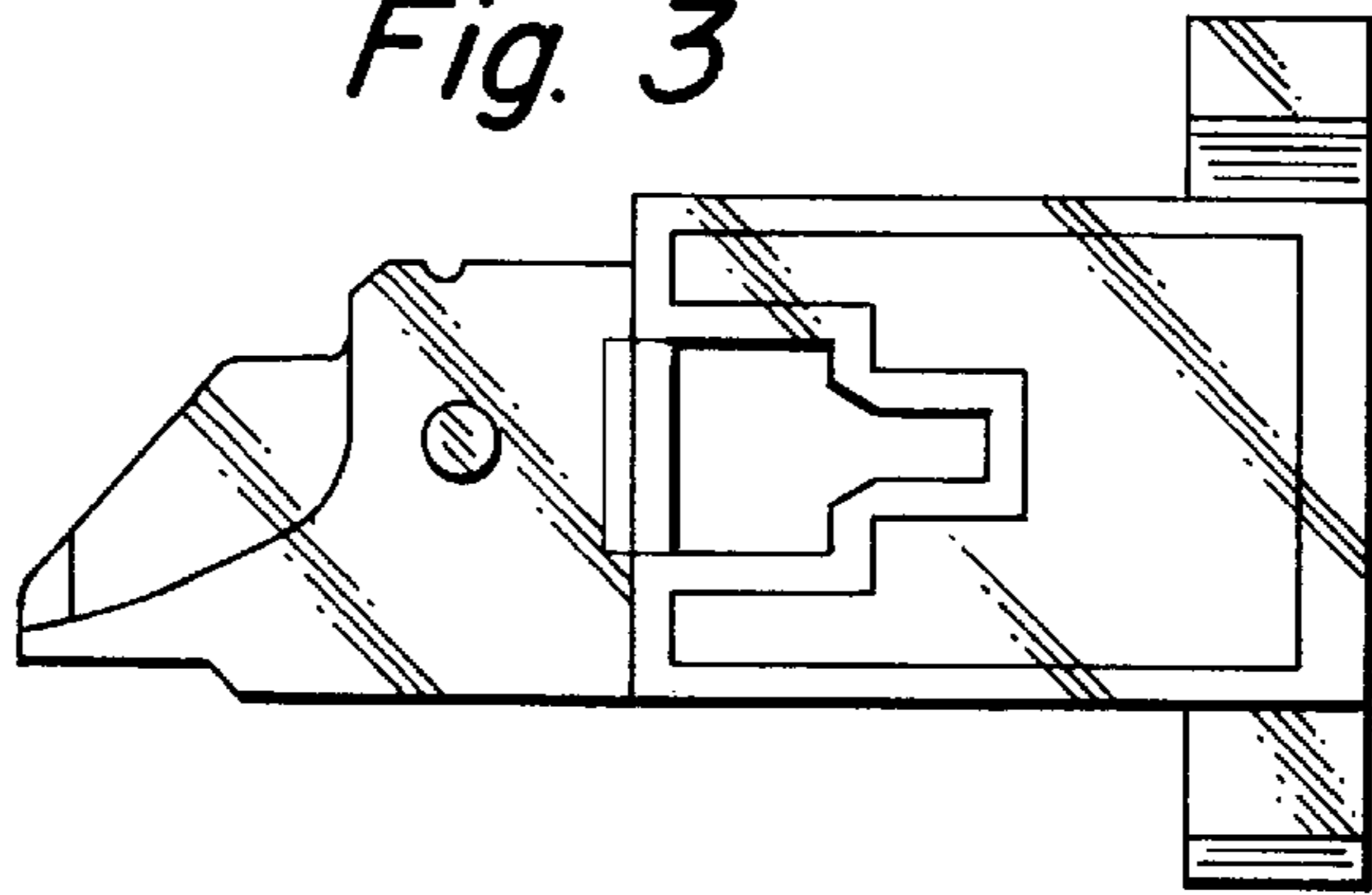
*Fig. 1*



*Fig. 2*



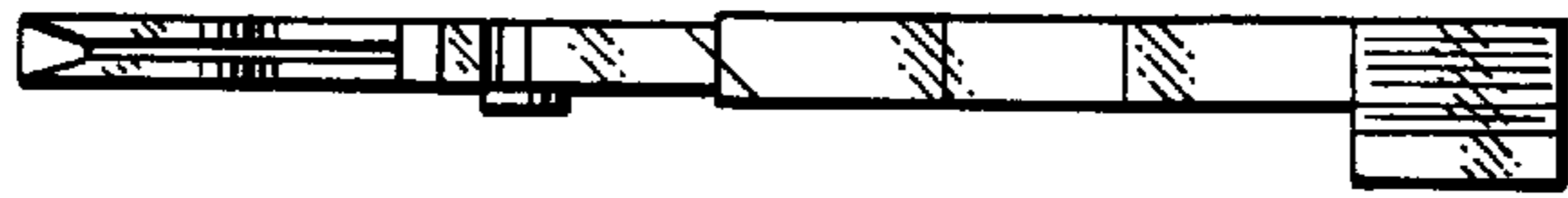
*Fig. 3*



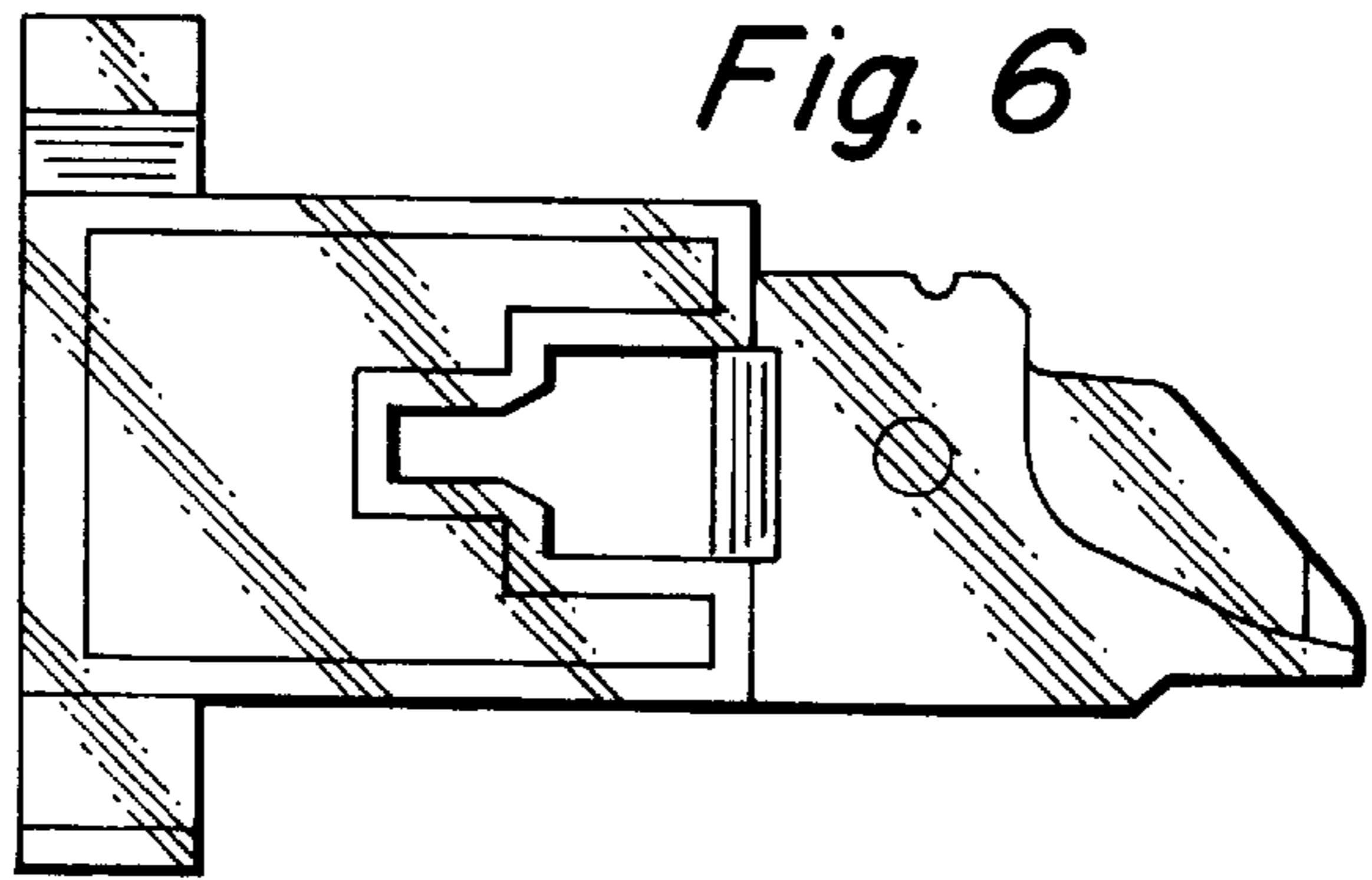
*Fig. 4*



*Fig. 5*



*Fig. 6*



*Fig. 7*

