



US00D433149S

United States Patent [19]

Fassbind et al.

[11] Patent Number: Des. 433,149

[45] Date of Patent: ** Oct. 31, 2000

[54] REAGENT KIT

[75] Inventors: **Walter Fassbind**, Baar; **Thomas Lehmann**, Lucerne; **Werner Rey**, Ebikon, all of Switzerland

[73] Assignee: **Roche Diagnostics Corporation**, Indianapolis, Ind.

[**] Term: **14 Years**

[21] Appl. No.: **29/093,646**

[22] Filed: **Sep. 15, 1998**

[30] Foreign Application Priority Data

Mar. 27, 1998 [CH] Switzerland 125091

[51] LOC (7) Cl. **24-02**

[52] U.S. Cl. **D24/224; D24/121; D24/223**

[58] Field of Search D24/224, 121, D24/216; D9/516, 520, 530, 572, 575; 422/102, 104, 58, 99, 100; 220/524

[56] References Cited

U.S. PATENT DOCUMENTS

D. 355,260 2/1995 Tomasso D24/224

| | | | |
|------------|---------|------------------------|---------|
| D. 404,832 | 1/1999 | Laskey et al. | D24/231 |
| D. 406,351 | 3/1999 | Yamazaki et al. | D24/224 |
| D. 411,014 | 6/1999 | Berger et al. | D24/224 |
| 5,575,978 | 11/1996 | Clark et al. | 422/104 |
| 5,578,272 | 11/1996 | Koch et al. | 422/102 |
| 5,683,658 | 11/1997 | Reischl et al. | 422/100 |
| 6,043,097 | 3/2000 | Dumitrescu et al. | 422/102 |

Primary Examiner—Ian Simmons
Attorney, Agent, or Firm—Gibbons, Del Deo, Dolan, Griffinger & Vecchione

[57] CLAIM

The ornamental design for a reagent kit, as shown.

DESCRIPTION

FIG. 1 is an exploded front, left side and top perspective view of a reagent kit.
FIG. 2 is a front, left side and top perspective view thereof.
FIG. 3 is a front elevational view thereof.
FIG. 4 is a rear elevational view thereof.
FIG. 5 is a left side elevational view thereof.
FIG. 6 is a right side elevational view thereof.
FIG. 7 is a top plan view thereof; and,
FIG. 8 is a bottom plan view thereof.

1 Claim, 5 Drawing Sheets

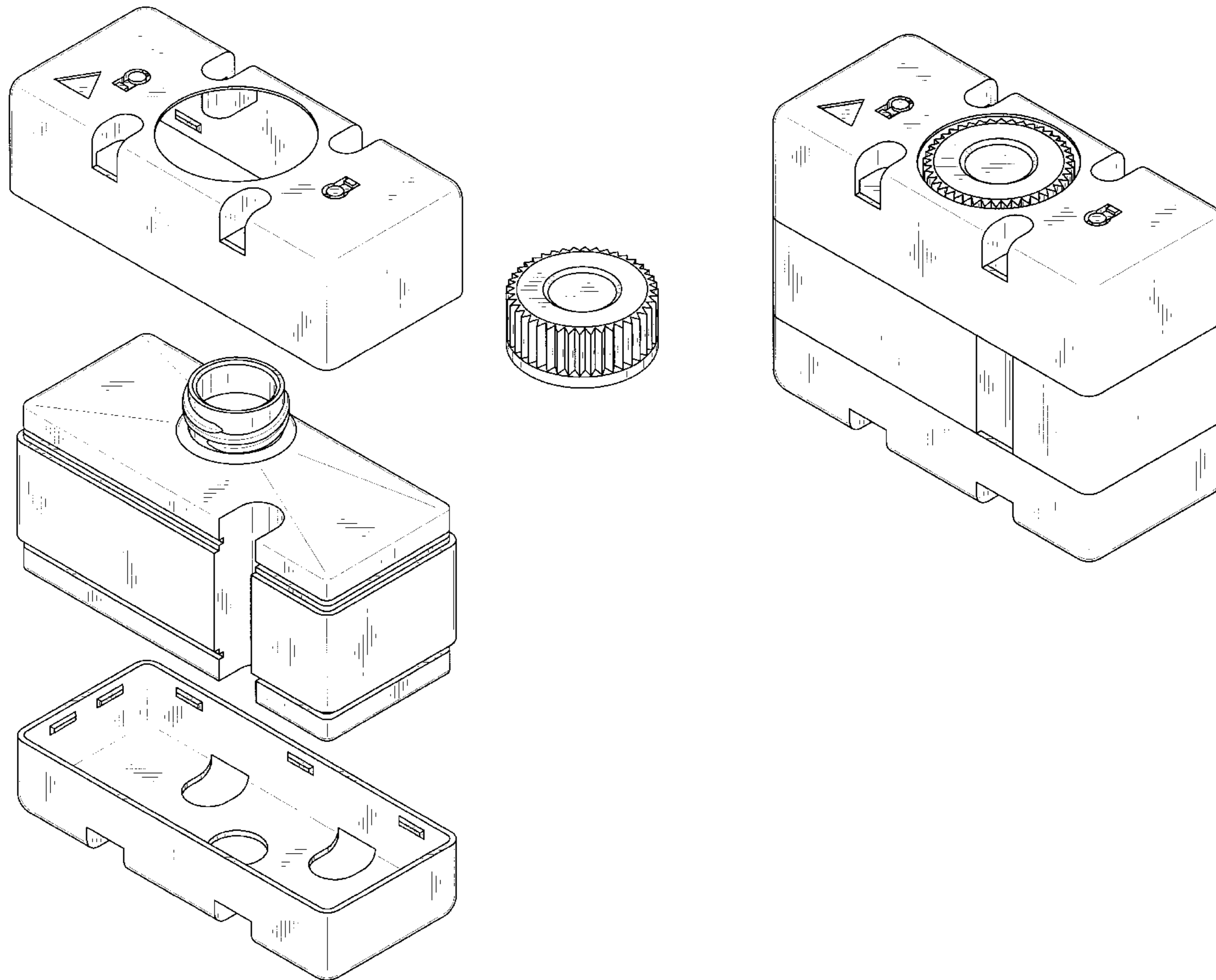


FIG. 1

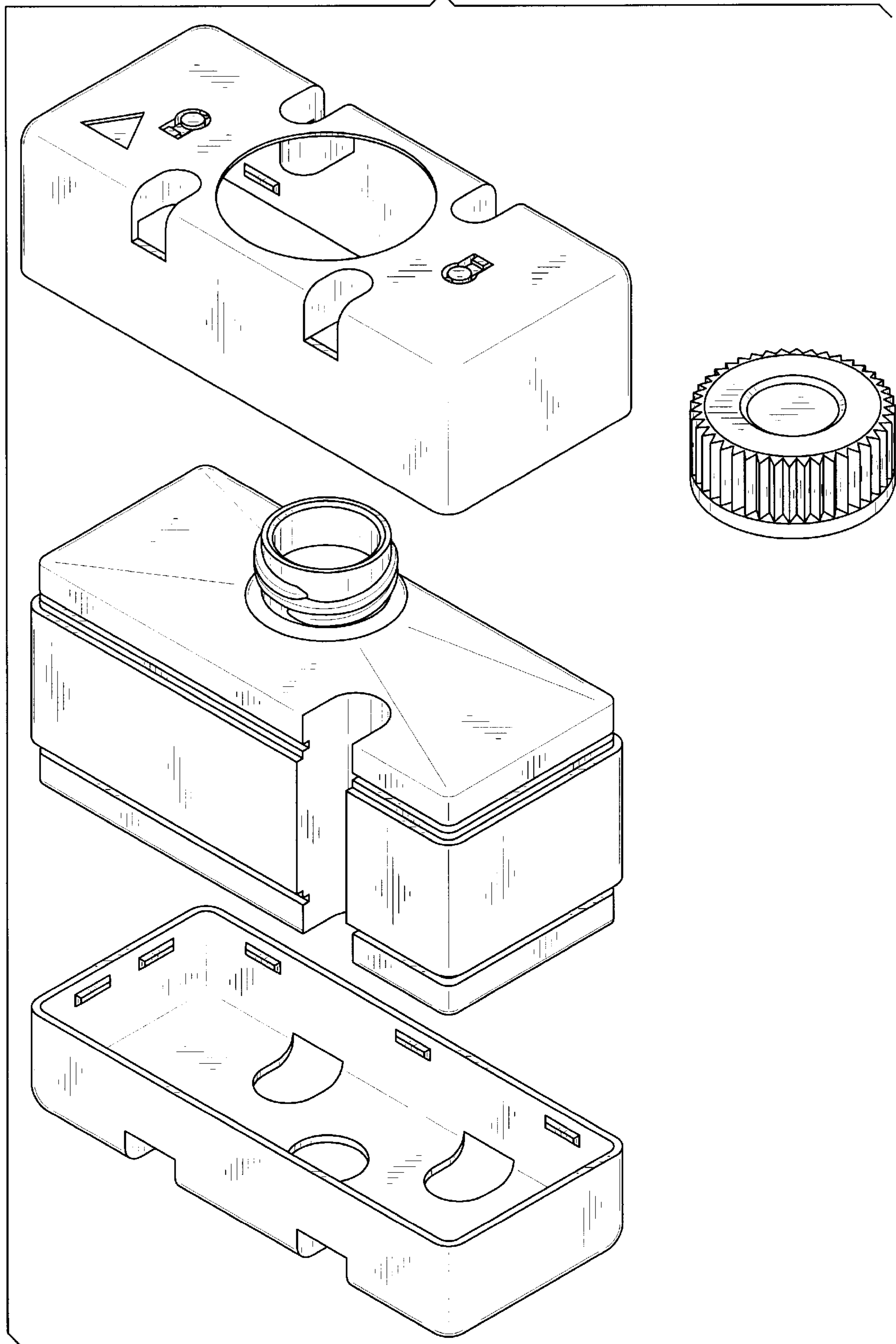


FIG. 2

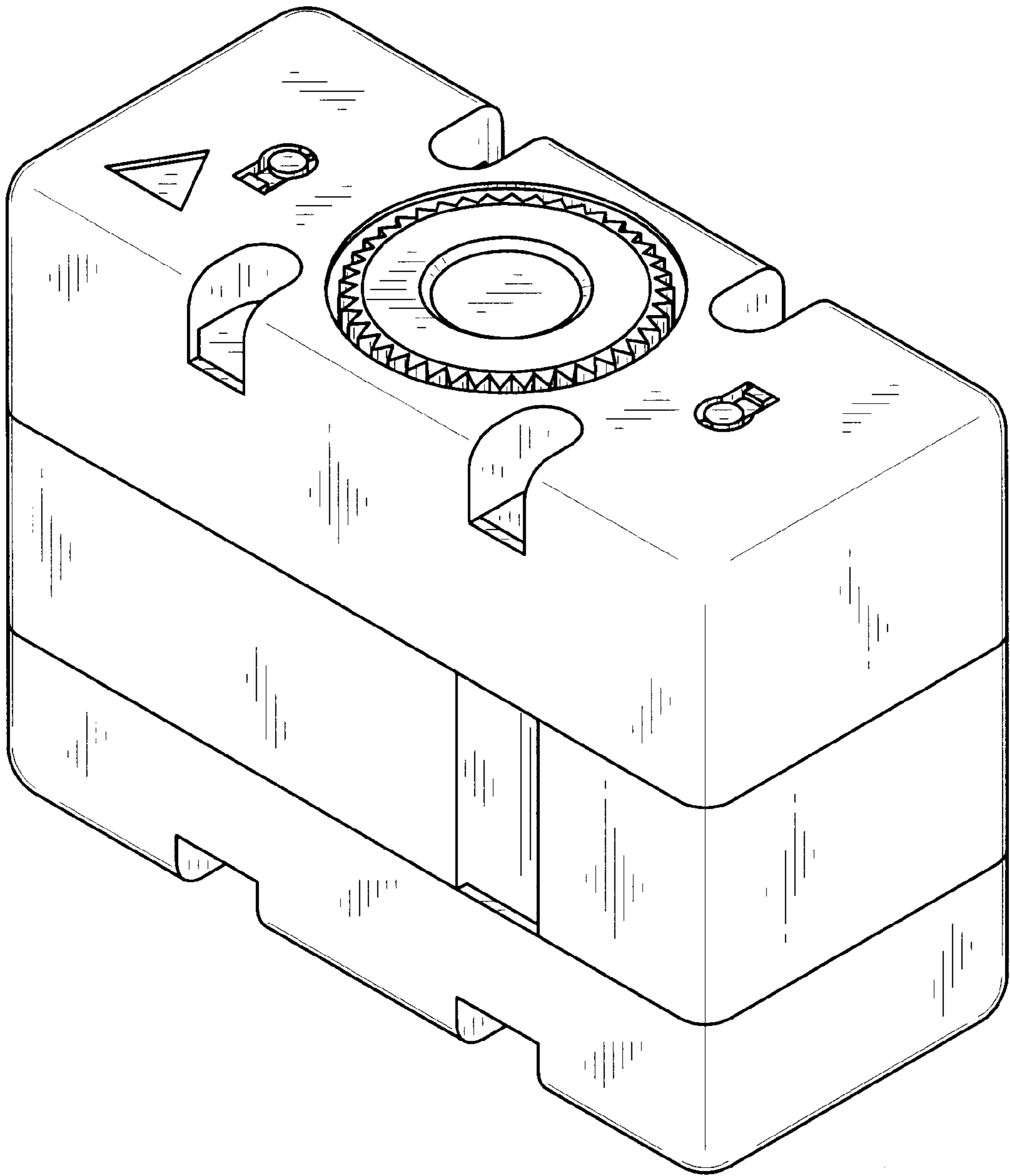


FIG. 3

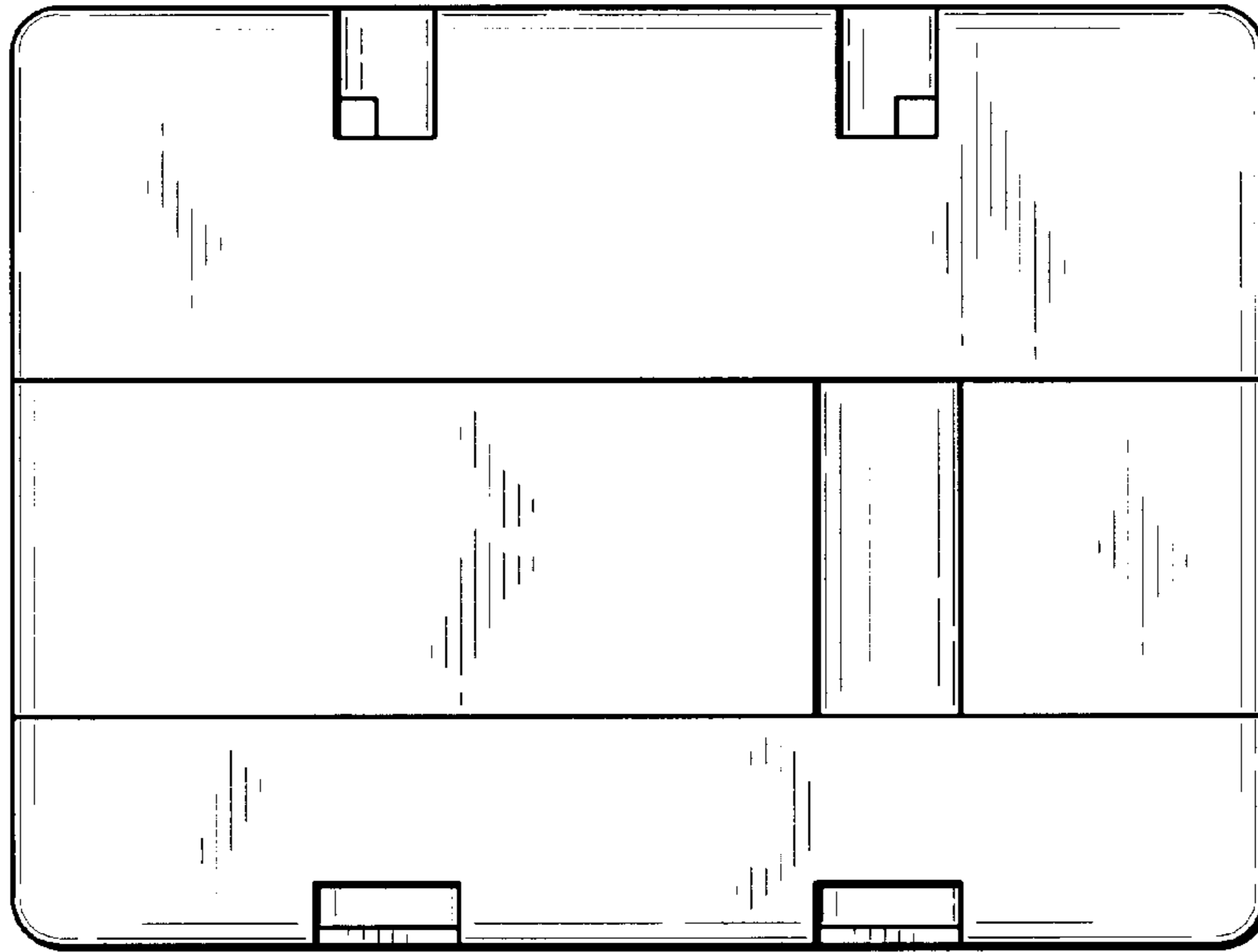


FIG. 4

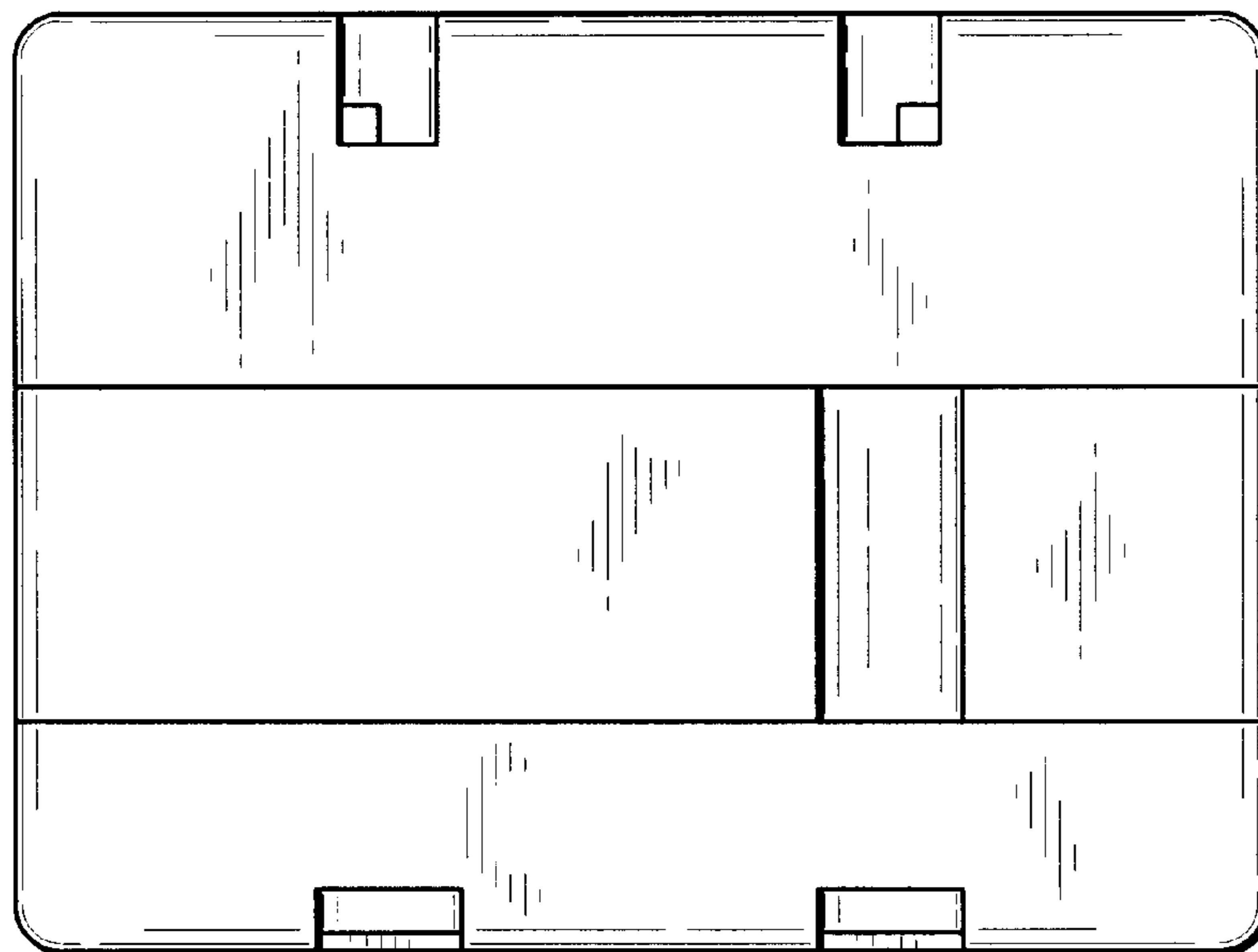


FIG. 5

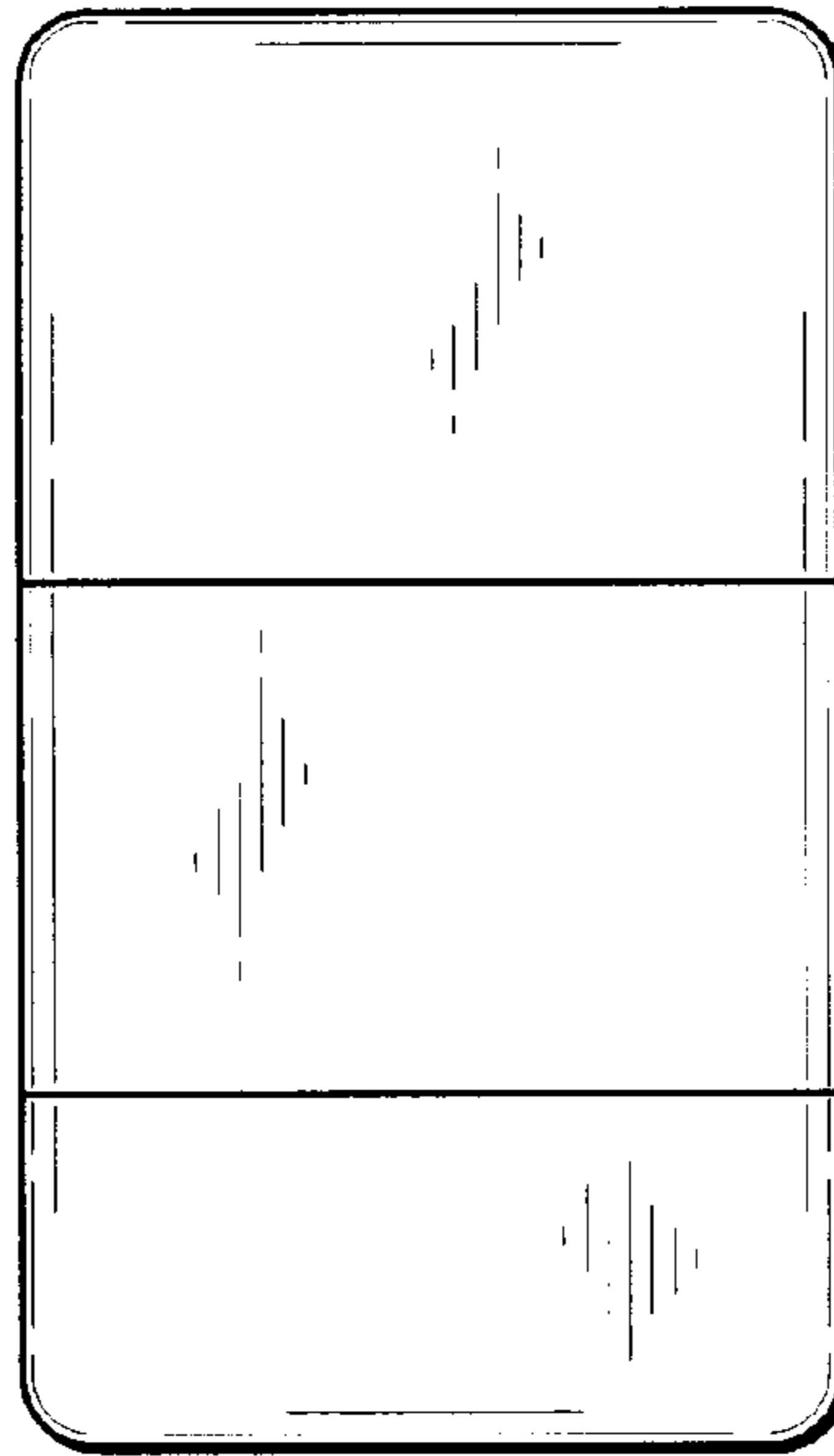


FIG. 6

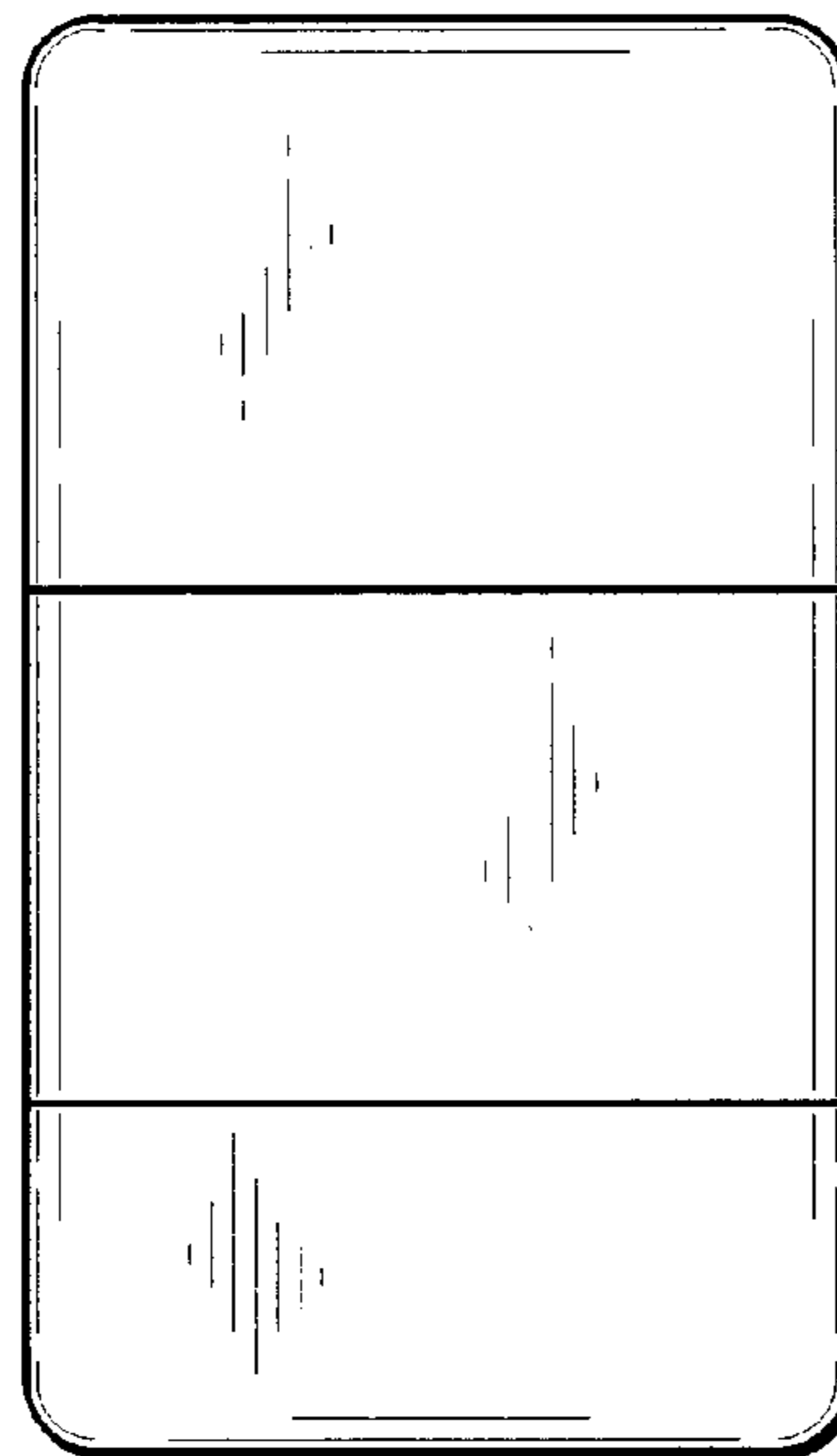


FIG. 7

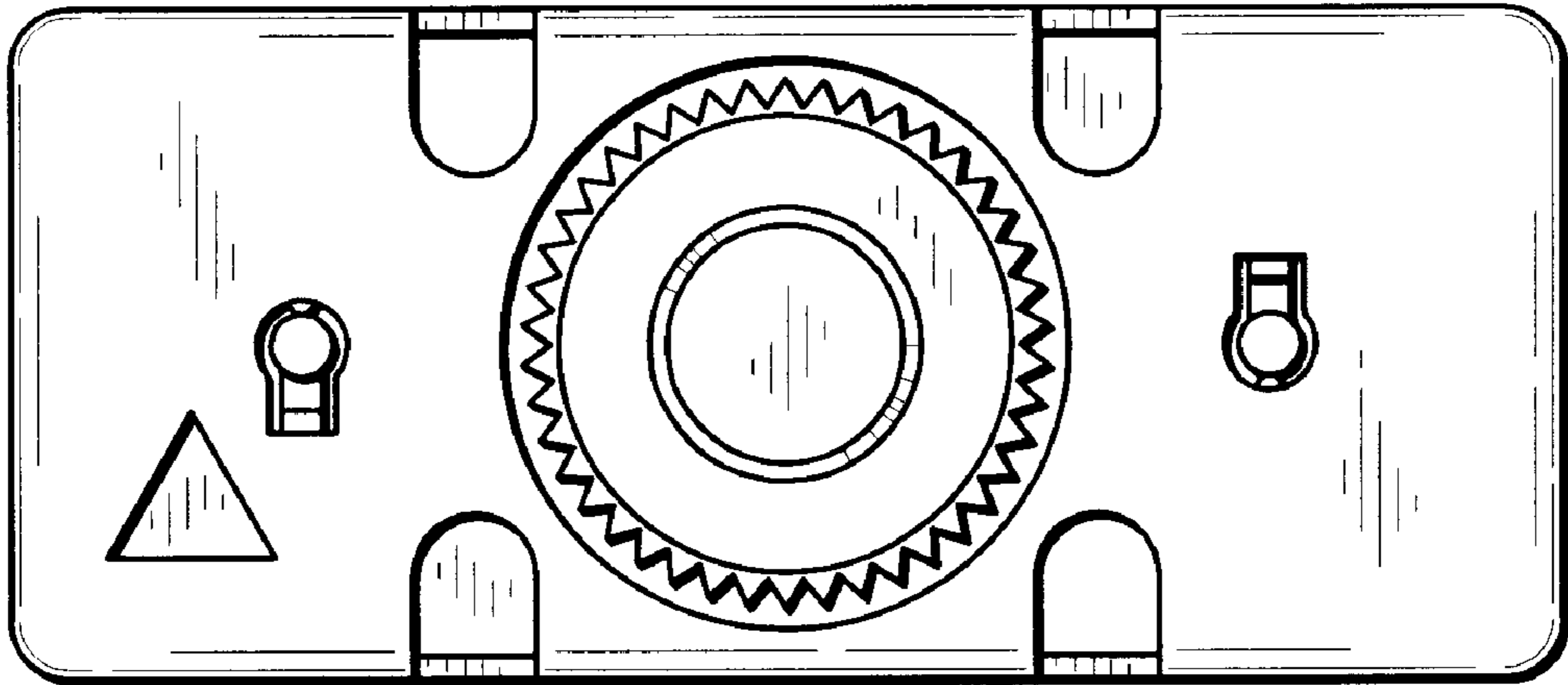


FIG. 8

