



US00D433144S

United States Patent [19] Park

[11] **Patent Number: Des. 433,144**

[45] **Date of Patent: ** Oct. 31, 2000**

[54] **PERSONAL SAUNA**

[76] Inventor: **Min H. Park**, 7175 Orangethorpe Ave.,
Buena Park, Calif. 90621

[**] Term: **14 Years**

[21] Appl. No.: **29/117,906**

[22] Filed: **Feb. 1, 2000**

[51] **LOC (7) Cl.** **24-04**

[52] **U.S. Cl.** **D24/203**

[58] **Field of Search** D24/203, 201;
607/81, 83; 4/524, 535, 536, 528, 529

[56] **References Cited**

U.S. PATENT DOCUMENTS

D. 340,992	11/1993	Garrison	D24/202
D. 384,416	9/1997	Daffer et al.	D24/203
4,565,188	1/1986	Hardie	601/16
4,671,284	6/1987	Wilson et al.	607/81
4,712,538	12/1987	Hardie et al.	601/16
4,884,574	12/1989	Hardie et al.	601/55

Primary Examiner—Stella Reid

Attorney, Agent, or Firm—John K. Park; Park & Sutton LLP

[57] **CLAIM**

The ornamental design for a personal sauna, as shown and described.

DESCRIPTION

FIG. 1 is a perspective view of a personal sauna, showing my new design, in a closed state;
 FIG. 2 is a top plan view thereof;
 FIG. 3 is a side view thereof, the opposite side being a mirror image;
 FIG. 4 is a bottom view thereof;
 FIG. 5 is a front view thereof;
 FIG. 6 is a rear view thereof;
 FIG. 7 is a perspective view of the personal sauna, in an open state;
 FIG. 8 is a top plan view thereof;
 FIG. 9 is a side view thereof, the opposite side being a mirror image;
 FIG. 10 is a bottom view thereof;
 FIG. 11 is a front view thereof; and,
 FIG. 12 is a rear view thereof.

1 Claim, 6 Drawing Sheets

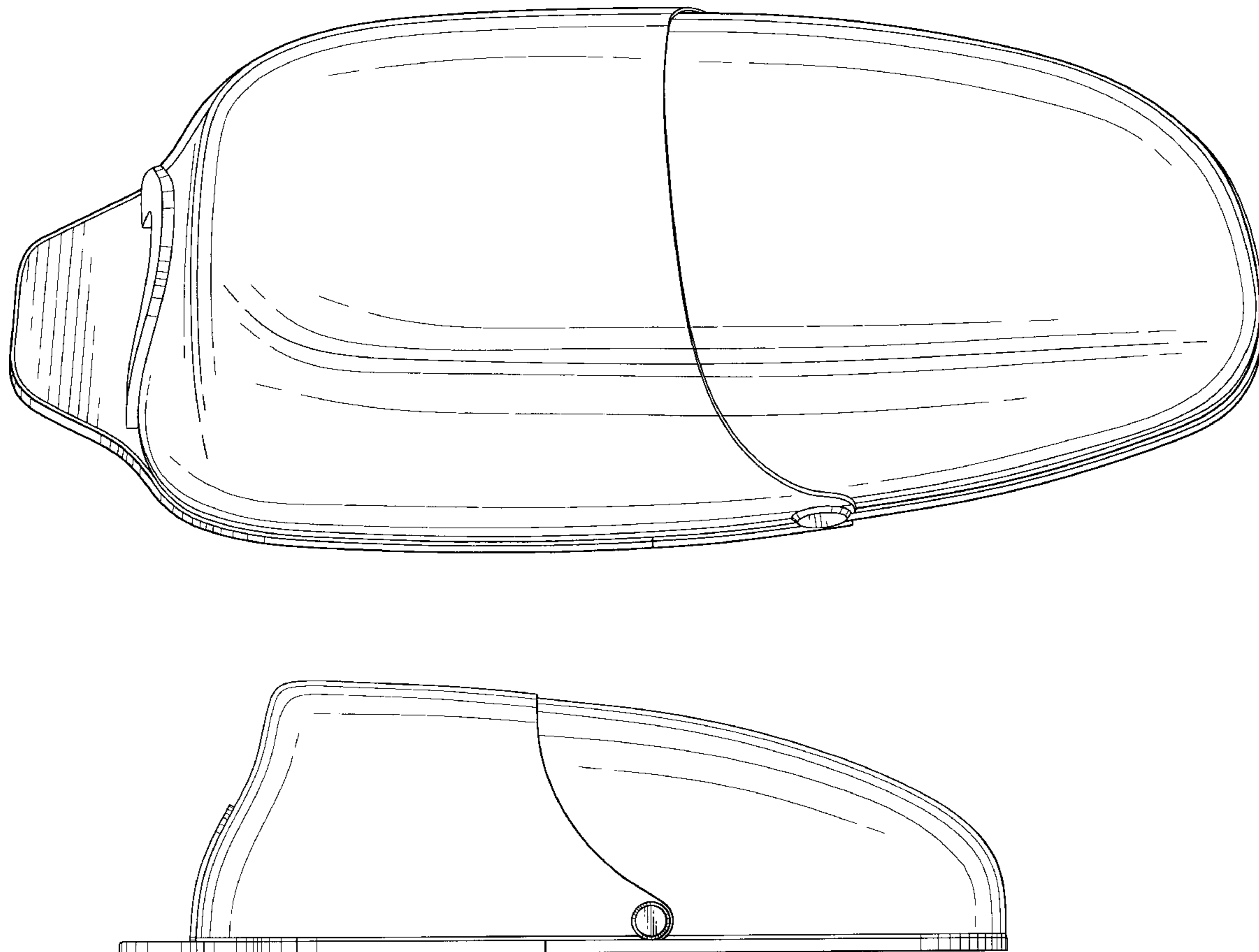


FIG. 1

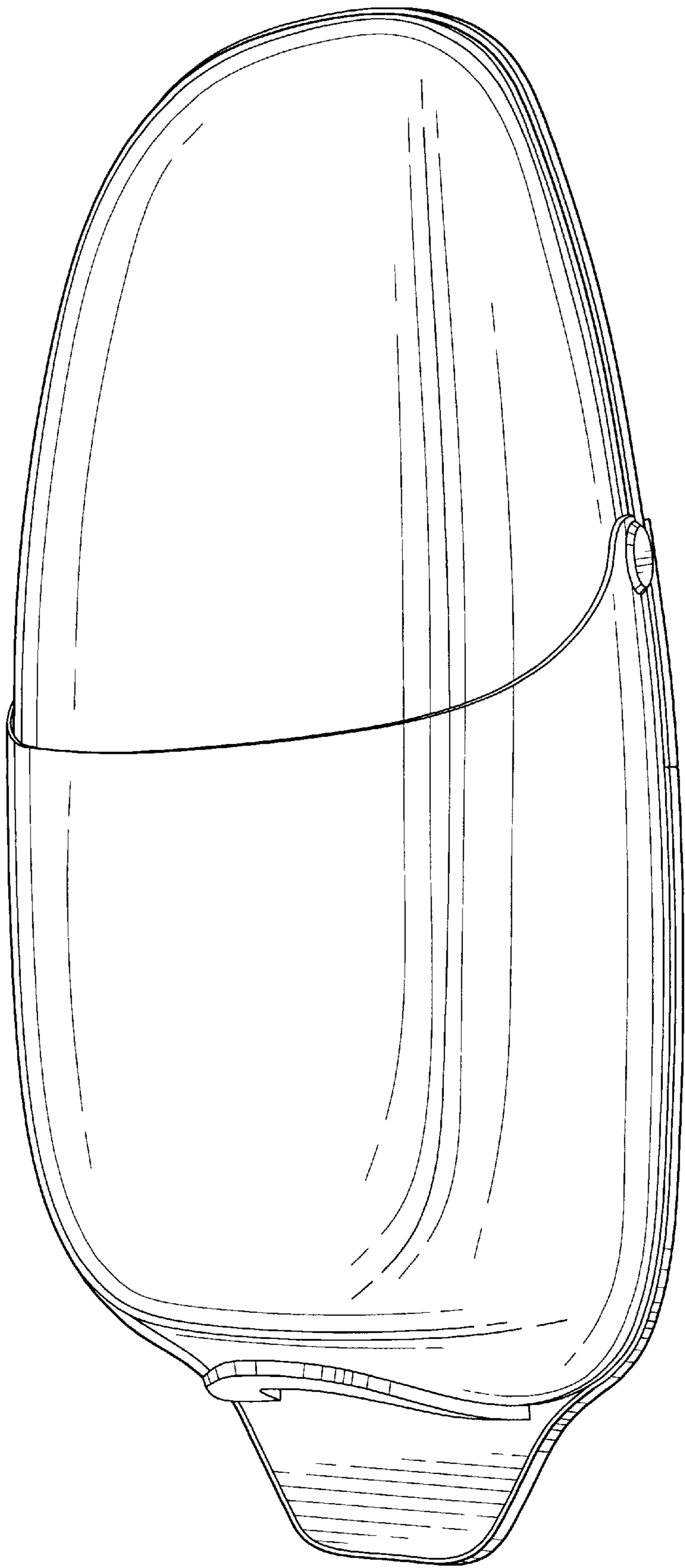


FIG. 2

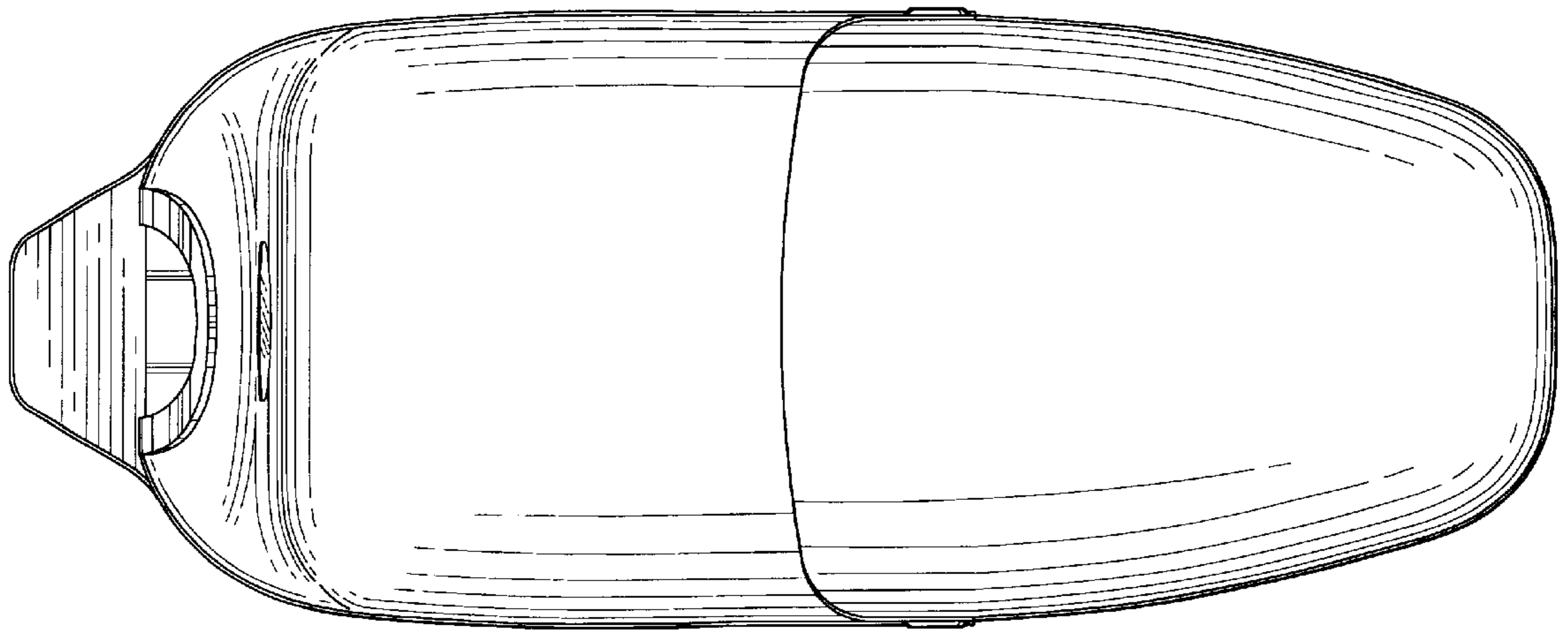


FIG. 3

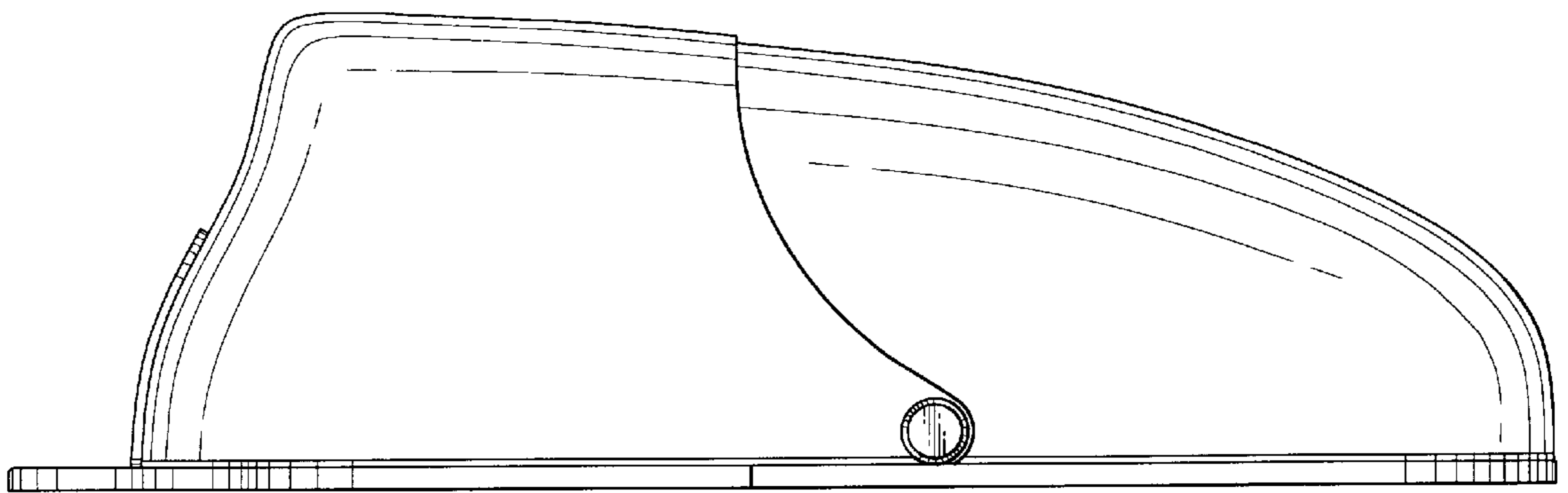


FIG. 4

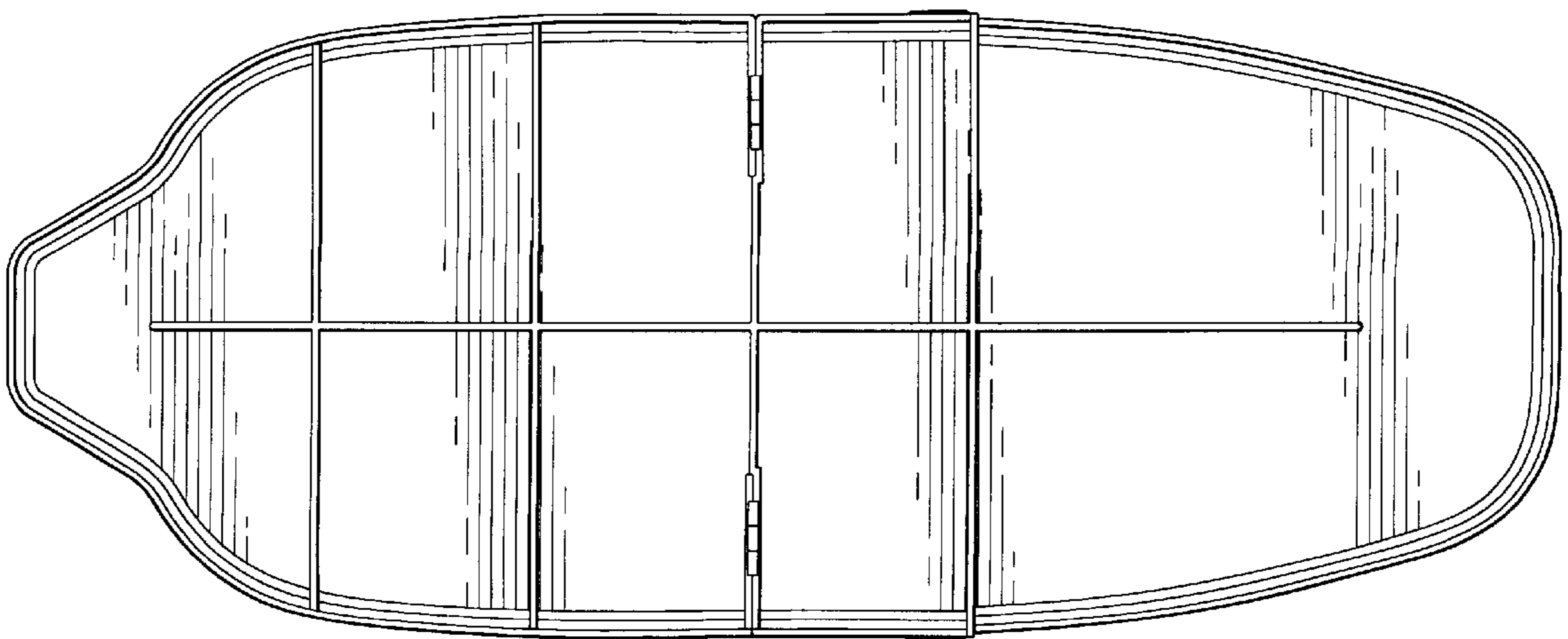


FIG. 5

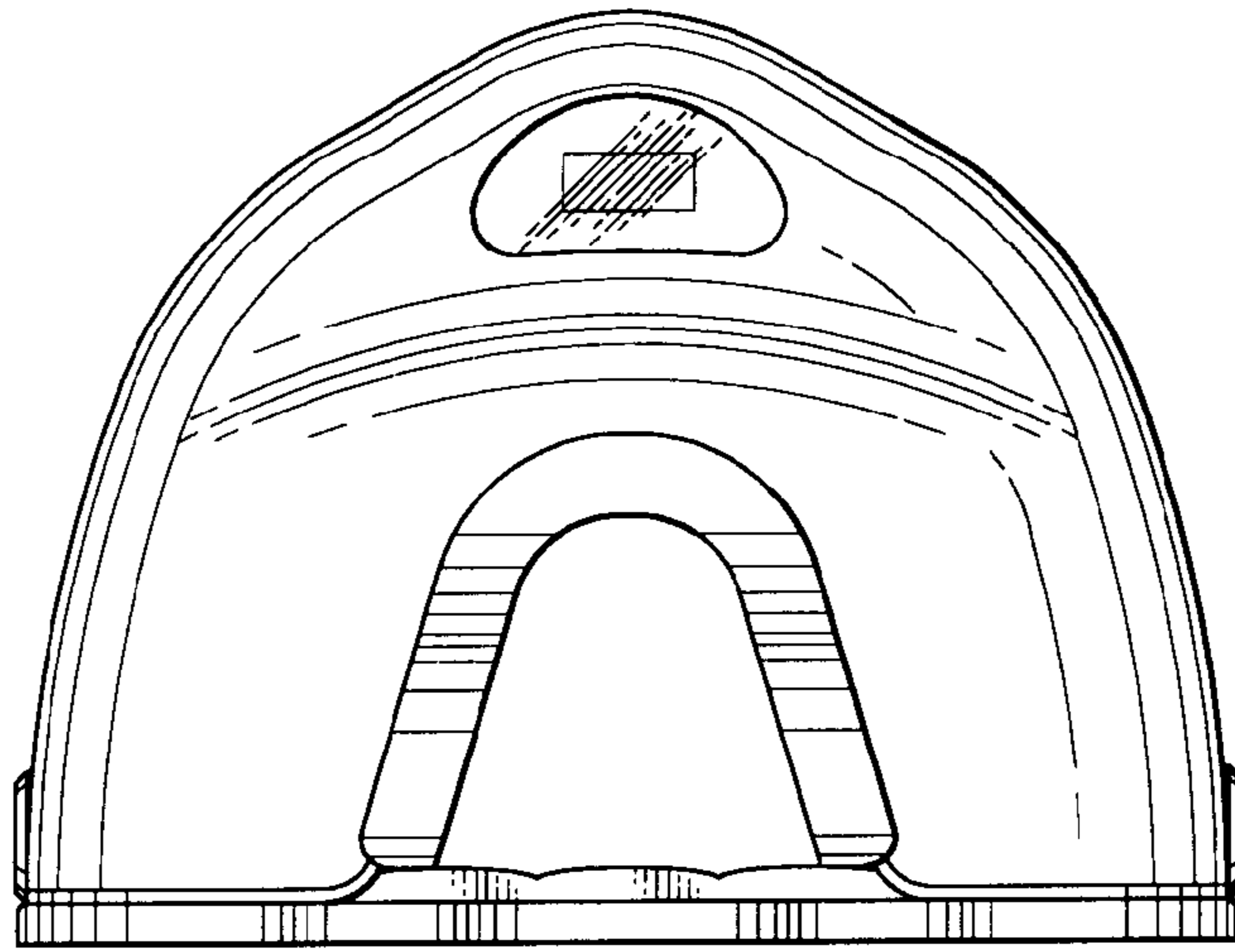


FIG. 6

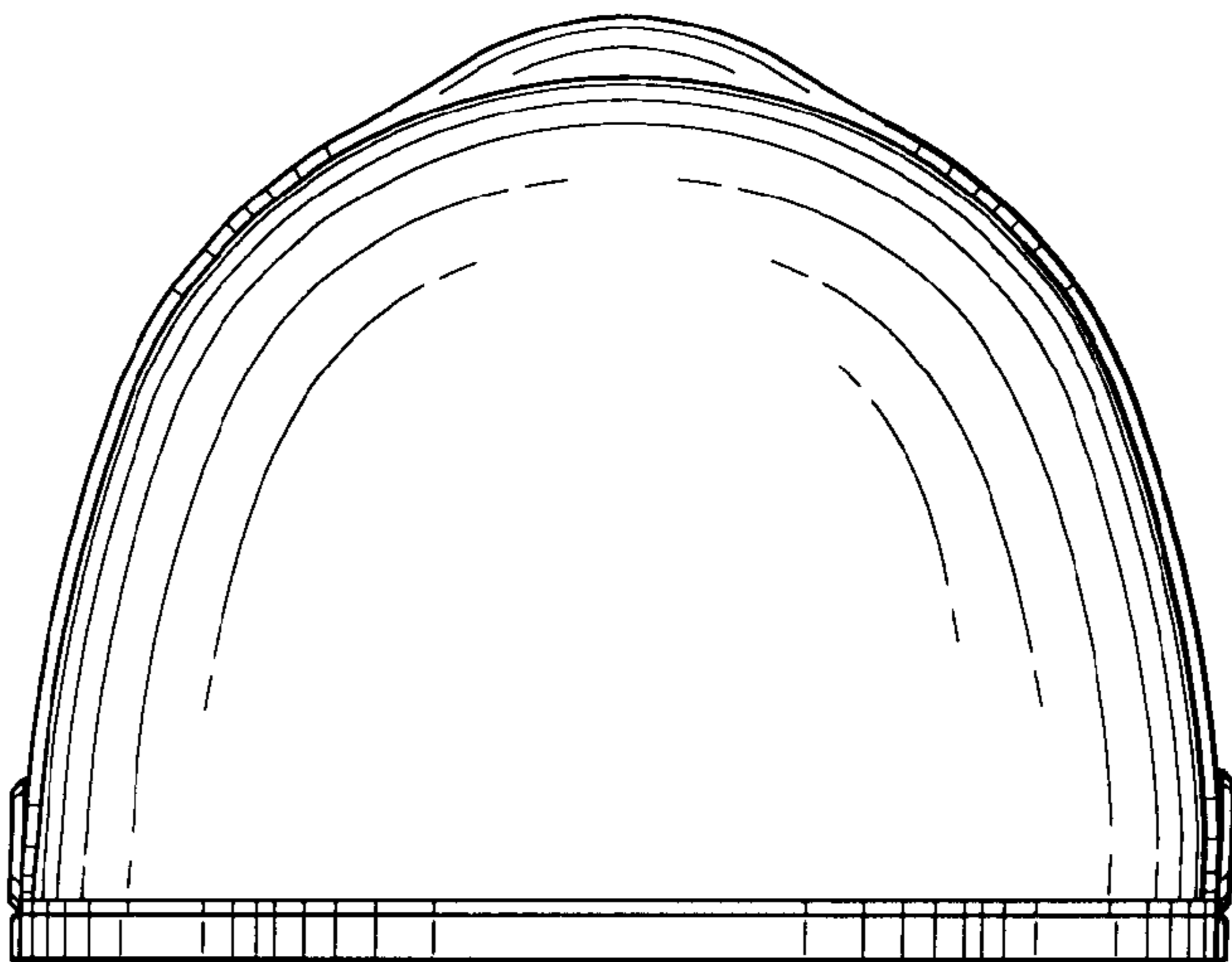


FIG. 7

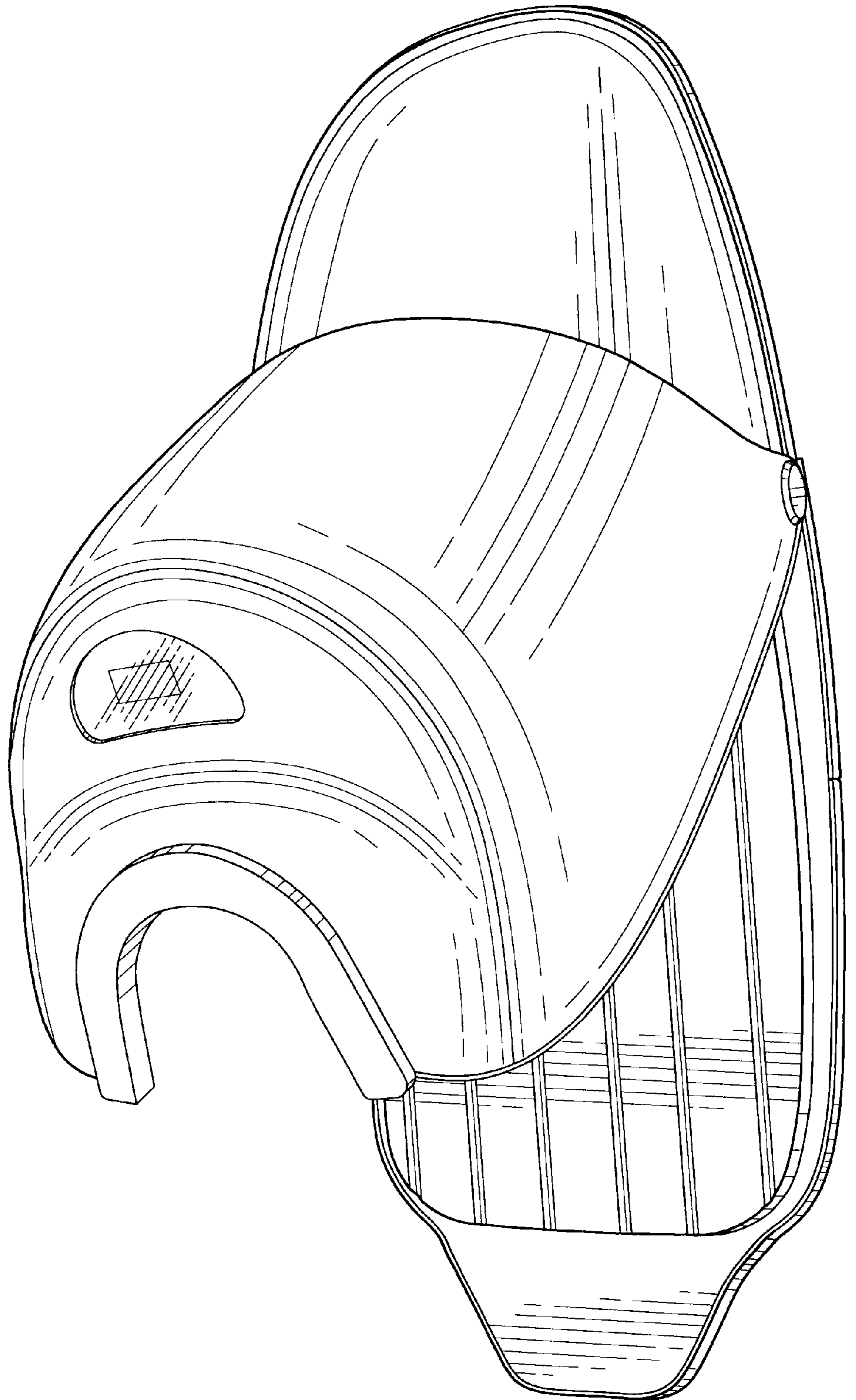


FIG. 8

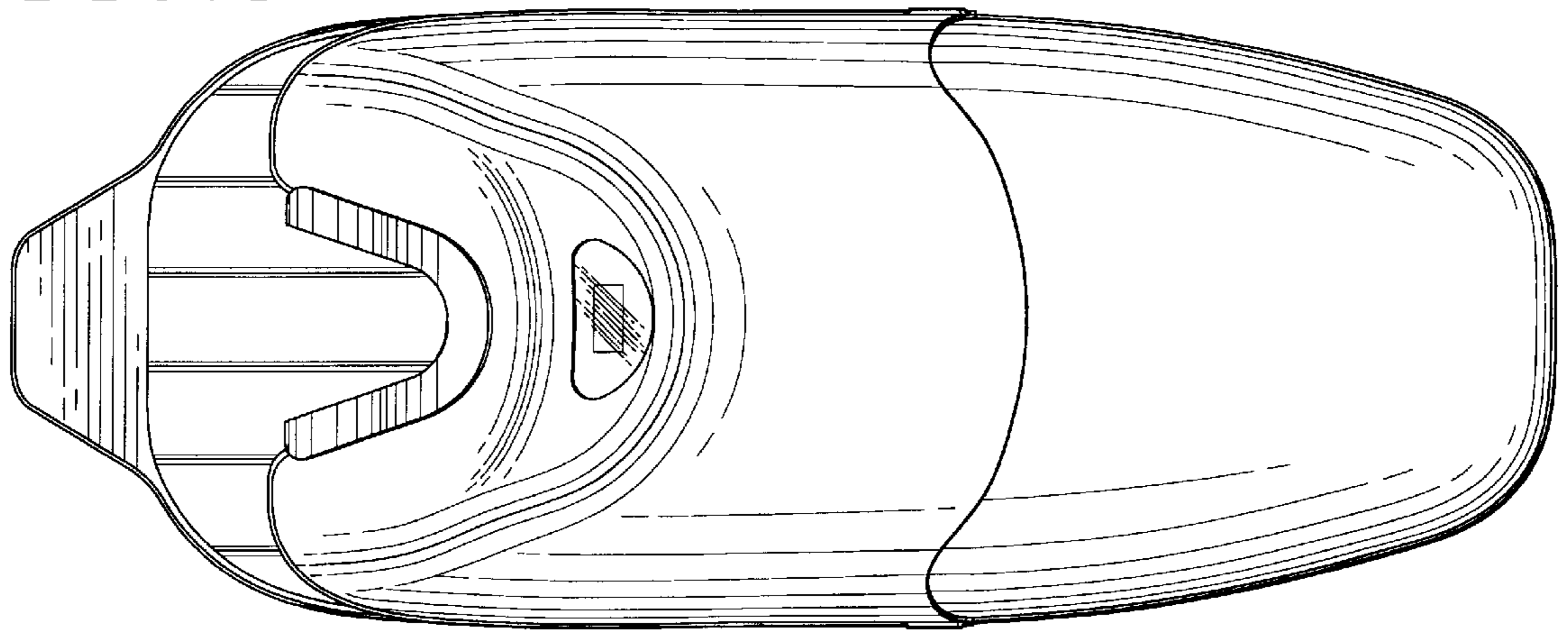


FIG. 9

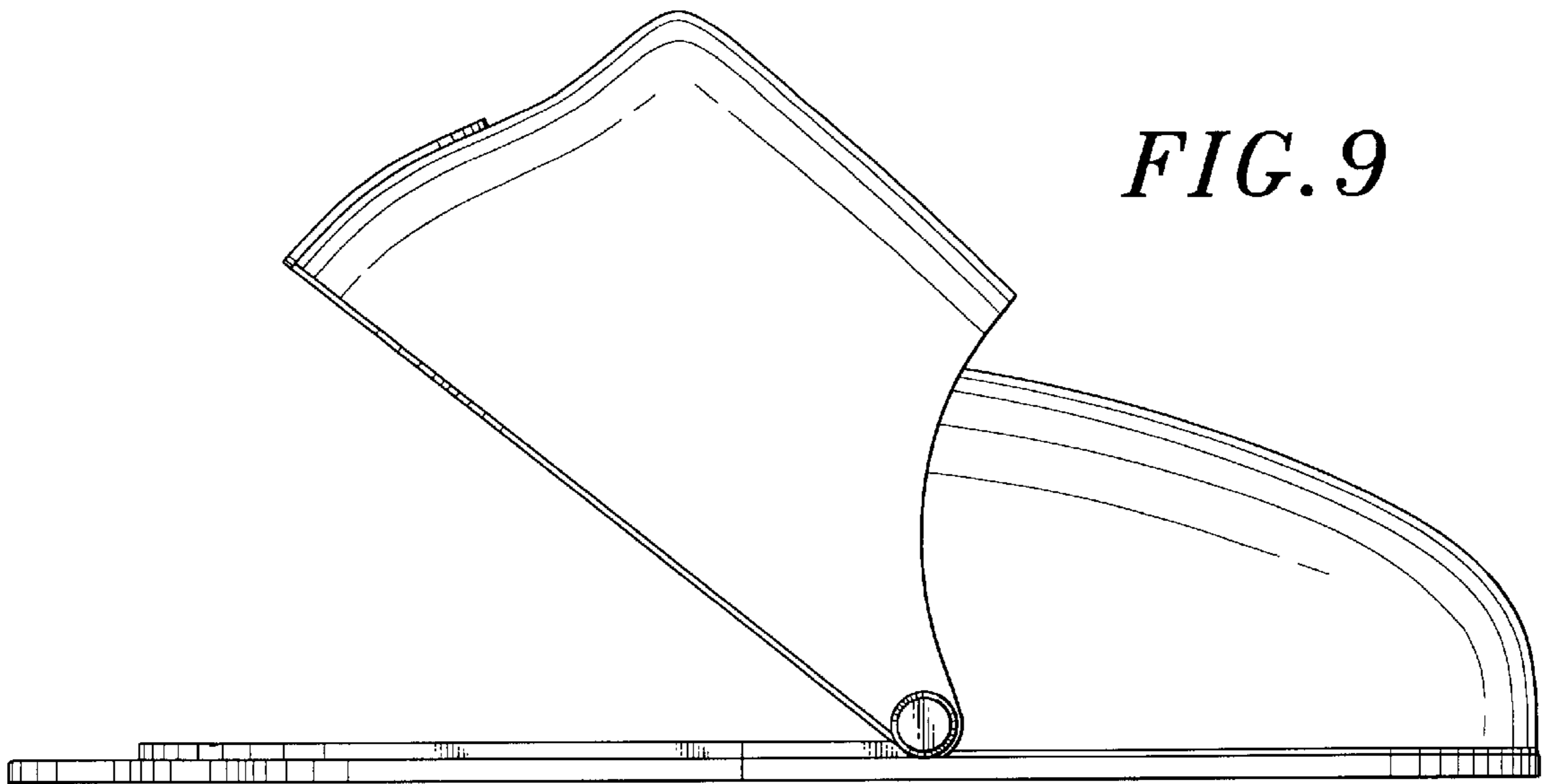


FIG. 10

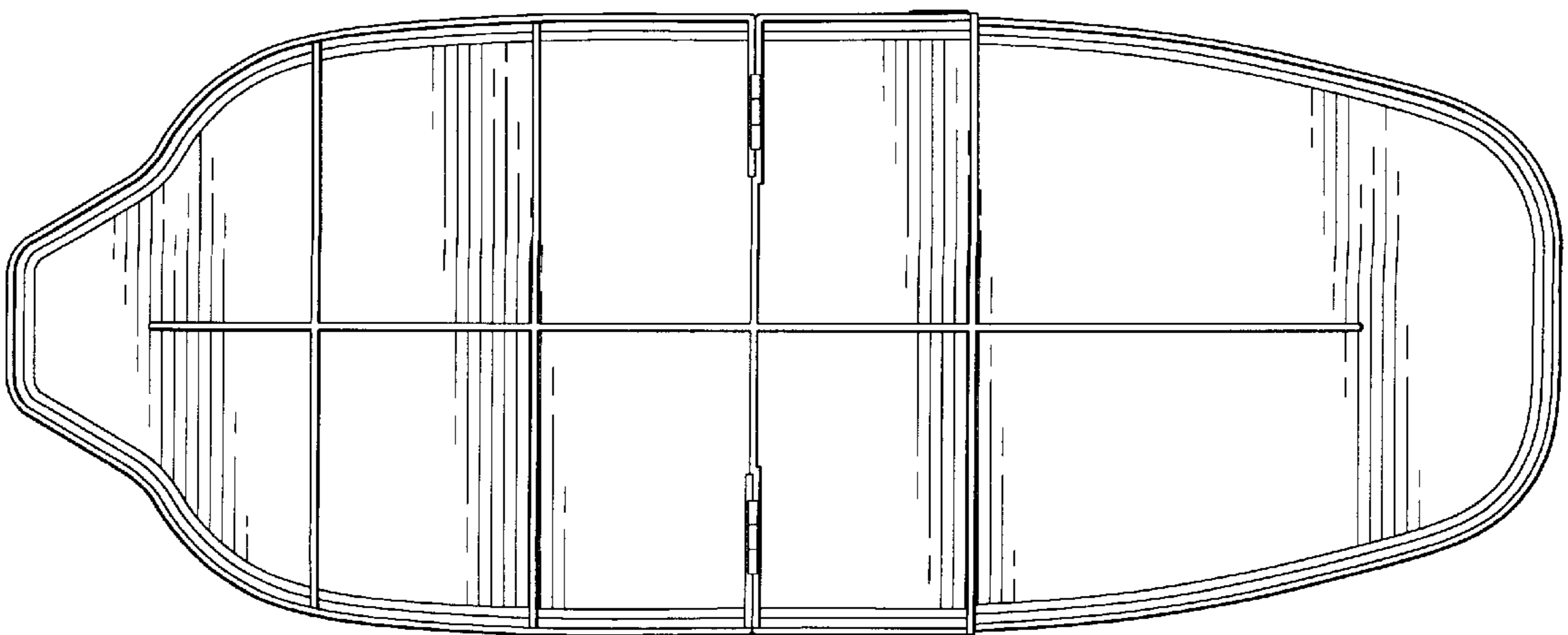


FIG. 11

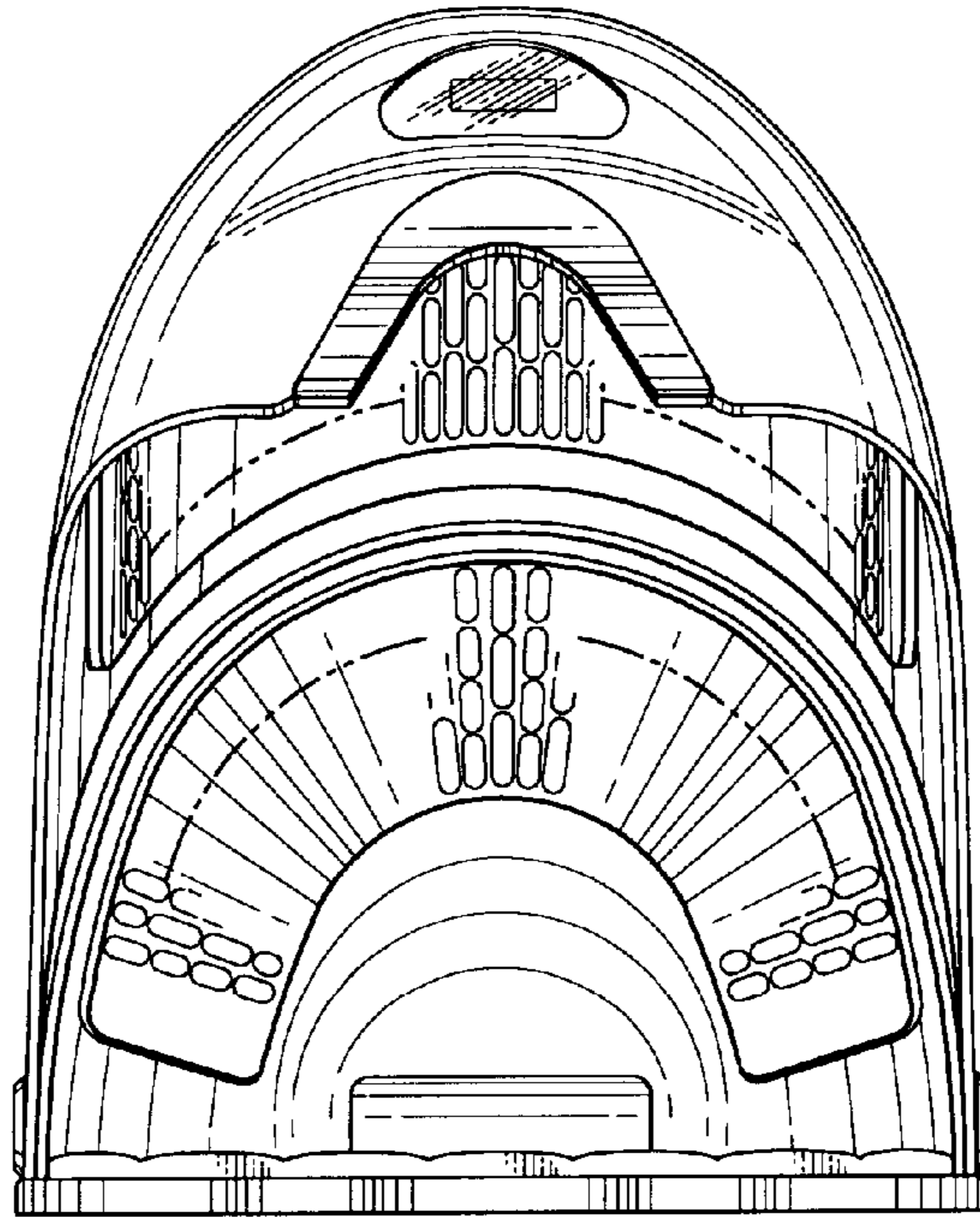


FIG. 12

