



US00D433143S

United States Patent [19]
Chomik et al.

[11] **Patent Number: Des. 433,143**
[45] **Date of Patent: ** Oct. 31, 2000**

[54] **BABY BOTTLE**
[75] Inventors: **Richard S. Chomik**, Middlesex, N.J.;
Martin C. Smith; Greg Mote, both of
Los Angeles, Calif.
[73] Assignee: **Playtex Products, Inc.**, Westport,
Conn.
[**] Term: **14 Years**
[21] Appl. No.: **29/108,919**
[22] Filed: **Aug. 5, 1999**

4,917,252 4/1990 Chambers et al. 215/11.1
5,207,338 5/1993 Sandhu .
5,294,018 3/1994 Boucher .
5,480,043 1/1996 Wingo .

Primary Examiner—Stella Reid
Attorney, Agent, or Firm—Ohlandt, Greeley, Ruggiero &
Perle, LLP

[57] **CLAIM**

The ornamental design for a baby bottle, as shown and described.

DESCRIPTION

FIG. 1 is a perspective view of a baby bottle showing our new design, the nipple and cap each being shown in broken lines for illustrative purposes only and forming no part of the claimed design;

FIG. 2 is a front view of the baby bottle of FIG. 1, the rear view of which is identical to the front view thereof;

FIG. 3 is a right side view of the baby bottle of FIG. 2, the left side view of which is identical to the right side view thereof;

FIG. 4 is a top view of the baby bottle of FIG. 1;

FIG. 5 is a bottom view of the baby bottle of FIG. 1;

FIG. 6 is a perspective view of a second embodiment of the baby bottle of FIG. 1.

FIG. 7 is a front view of the baby bottle of FIG. 6, the rear view of which is identical to the front view thereof, and the top and bottom views thereof of which are identical to the views respectively shown in FIGS. 4 and 5; and,

FIG. 8 is a right side view of the baby bottle of FIG. 7, the left side view of which is identical to the right side view thereof.

Related U.S. Application Data

[63] Continuation-in-part of application No. 29/095,187, Oct. 19, 1998.

[51] **LOC (7) Cl.** **24-04**

[52] **U.S. Cl.** **D24/197**

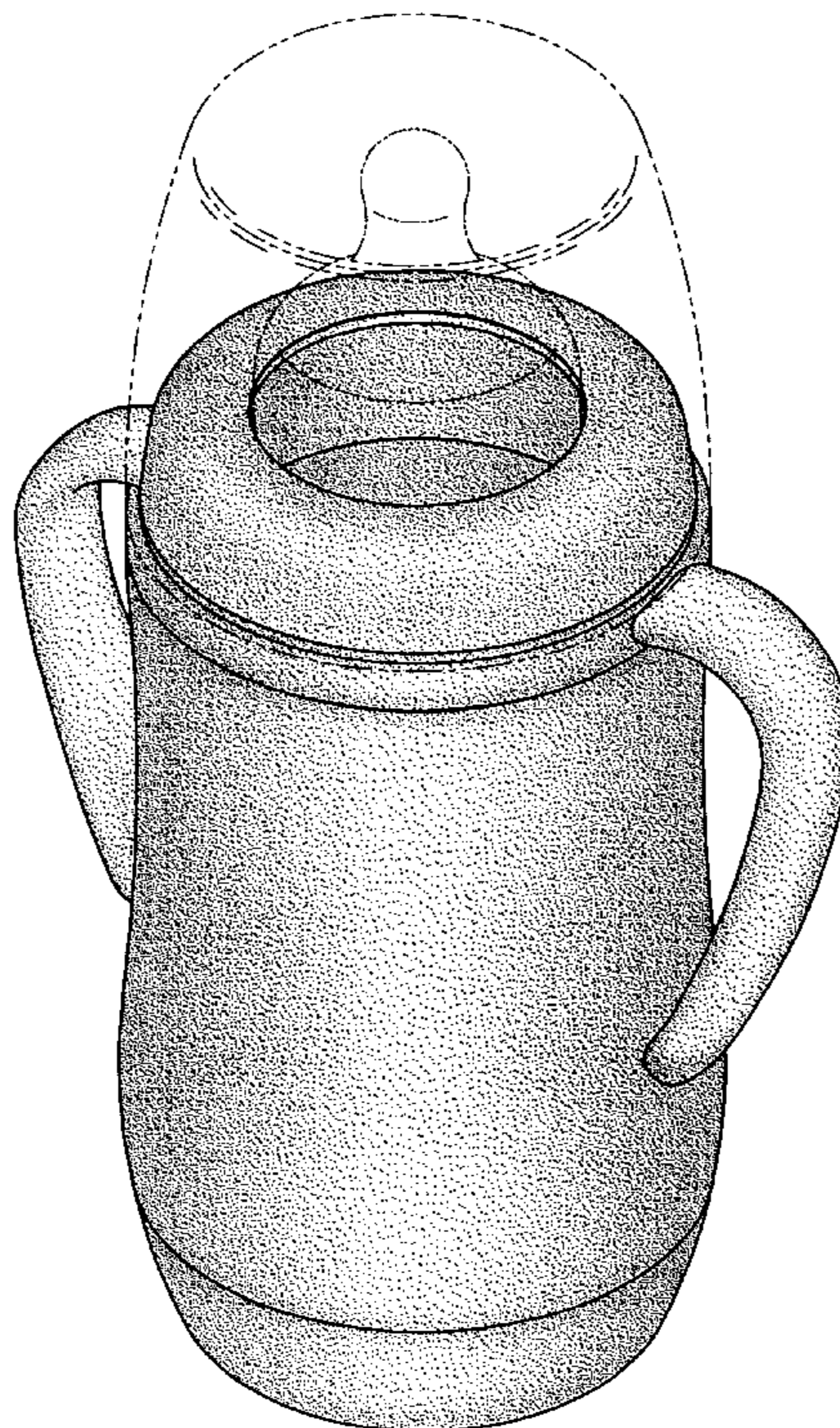
[58] **Field of Search** D24/197; 215/11.1,
215/11.2, 11.3, 11.4, 11.5, 11.6

References Cited

U.S. PATENT DOCUMENTS

D. 302,039	7/1989	Downs	D24/197
D. 302,469	7/1989	Benoit	D24/197
D. 307,477	4/1990	Gonzalez et al.	D24/197
D. 309,948	8/1990	Chambers	.	
D. 315,212	3/1991	Oknuki	.	
D. 341,892	11/1993	Yagi	D24/197
D. 368,529	4/1996	Allegre	D24/197
D. 370,262	5/1996	Allegre	D24/197
1,617,213	2/1927	LaPaugh	215/11.6
1,637,719	8/1927	Whitlock	.	
3,990,596	11/1976	Hoffman	215/11.1

1 Claim, 7 Drawing Sheets



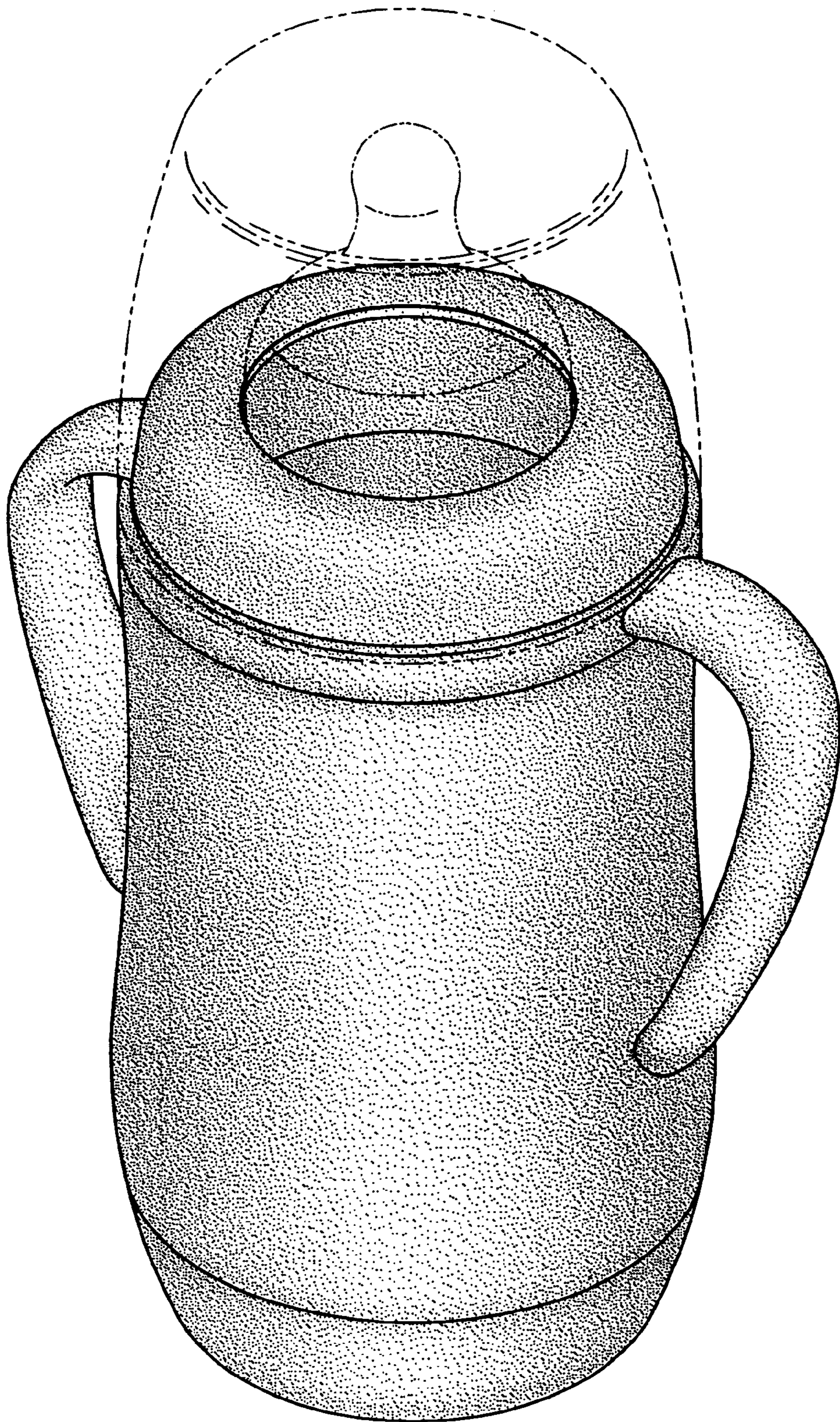


FIG. 1

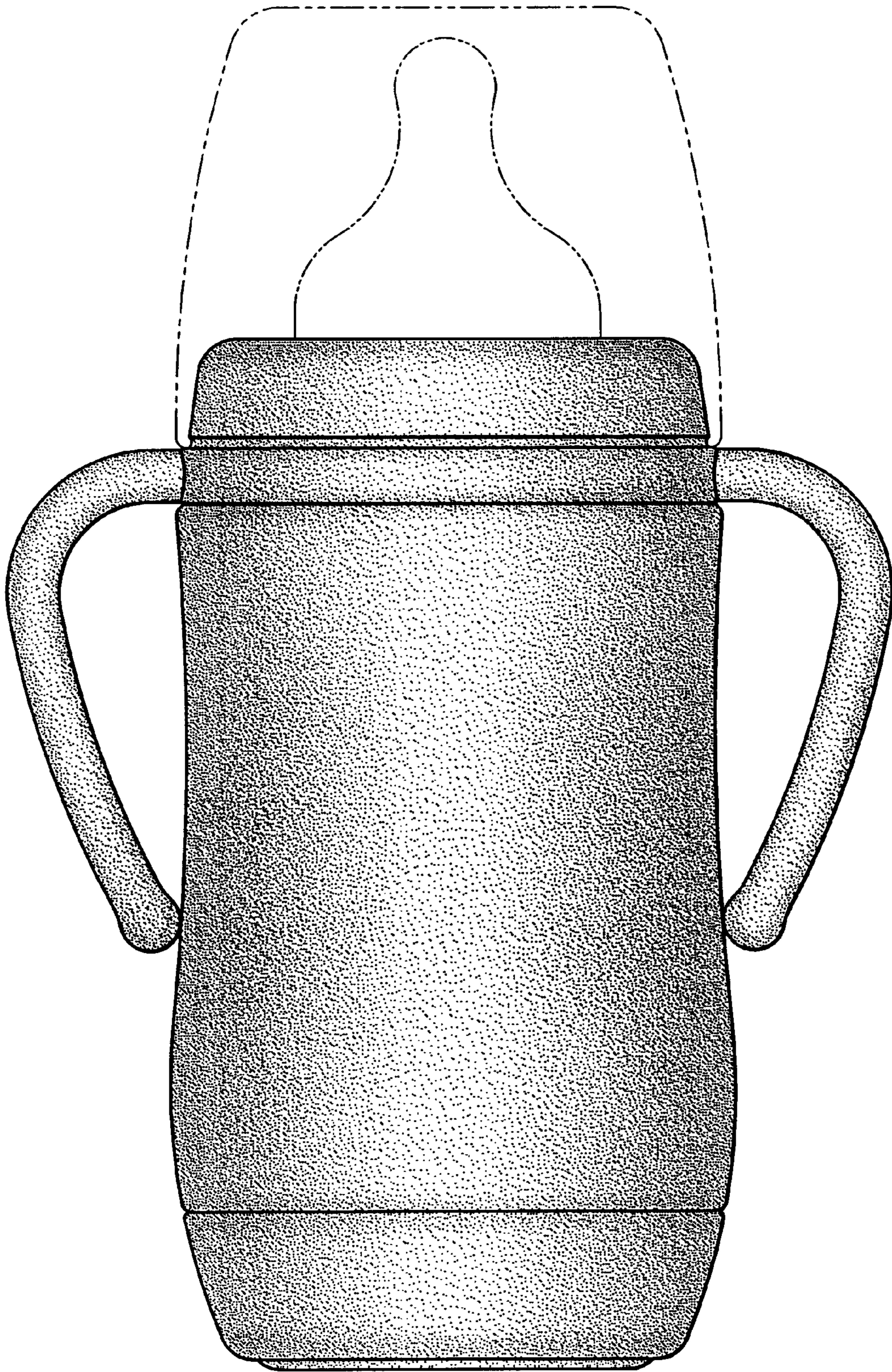


FIG. 2

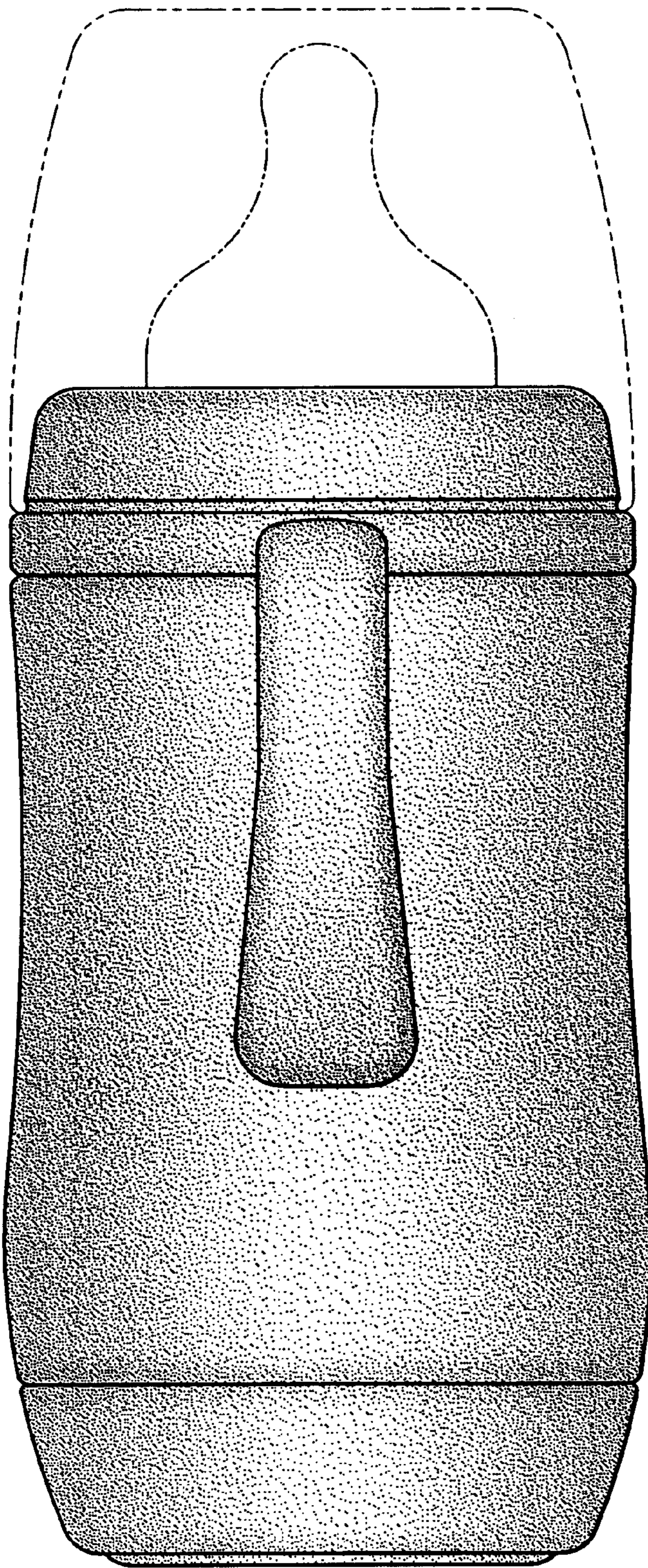


FIG. 3

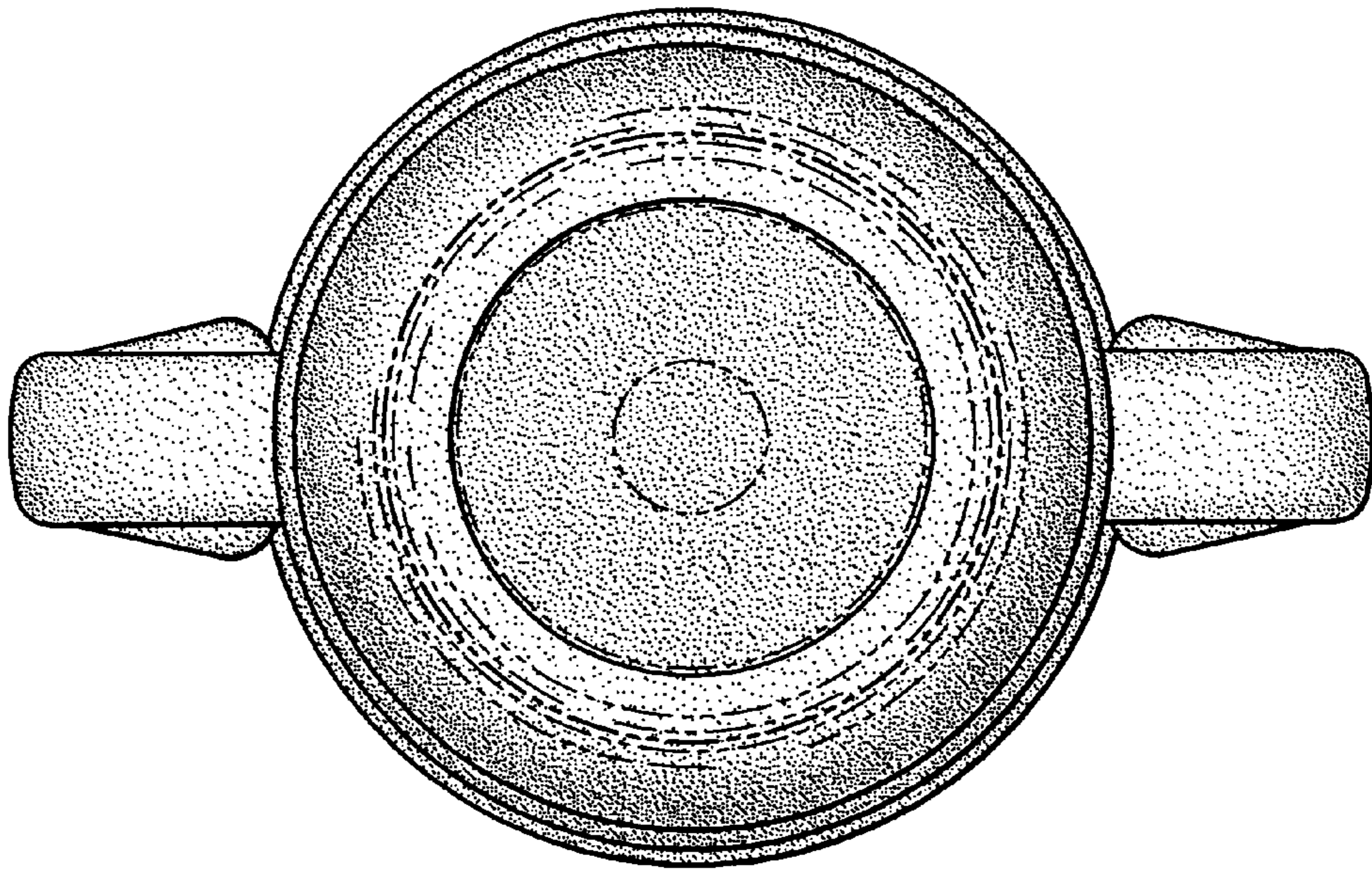


FIG. 4

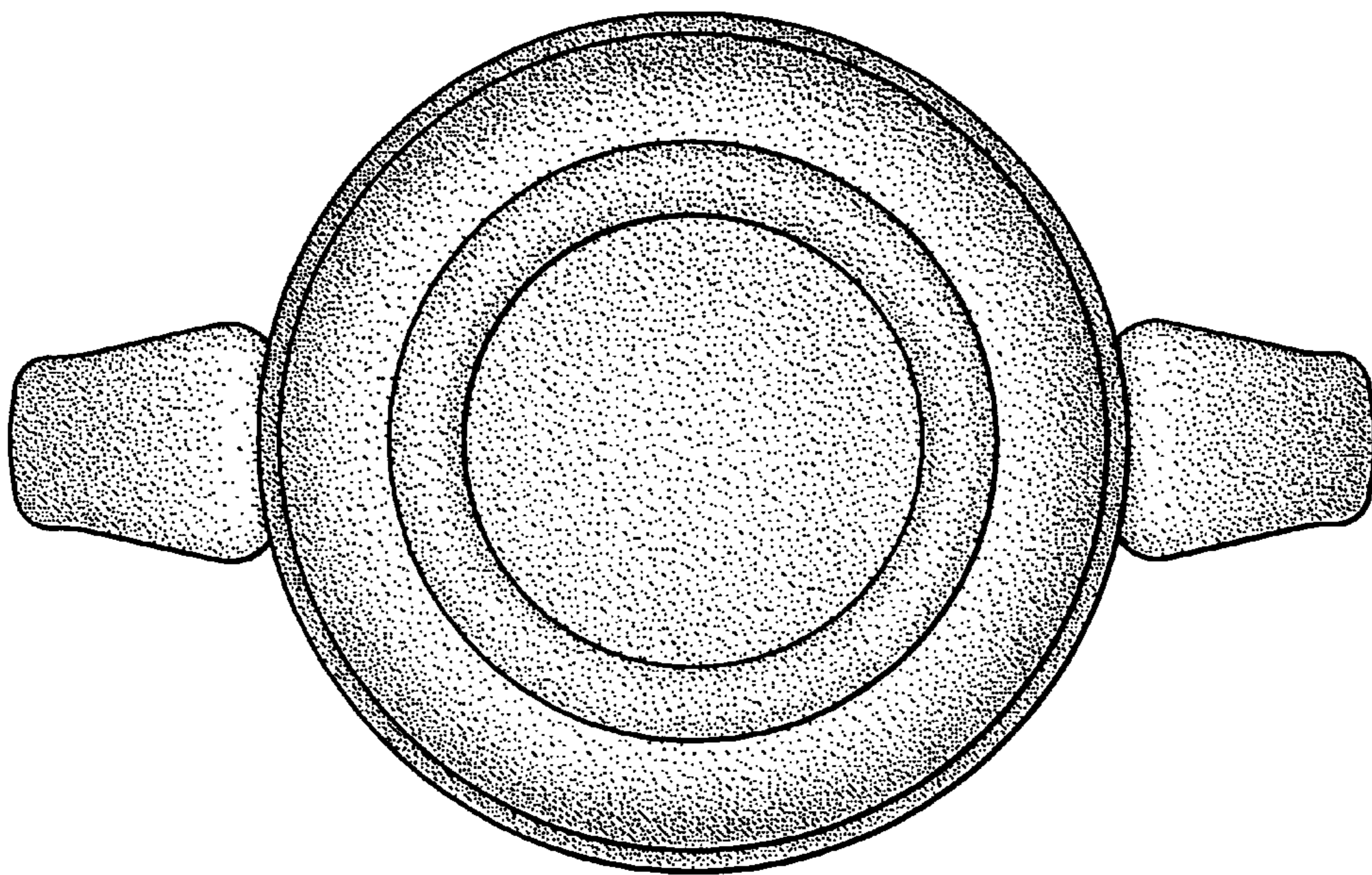


FIG. 5

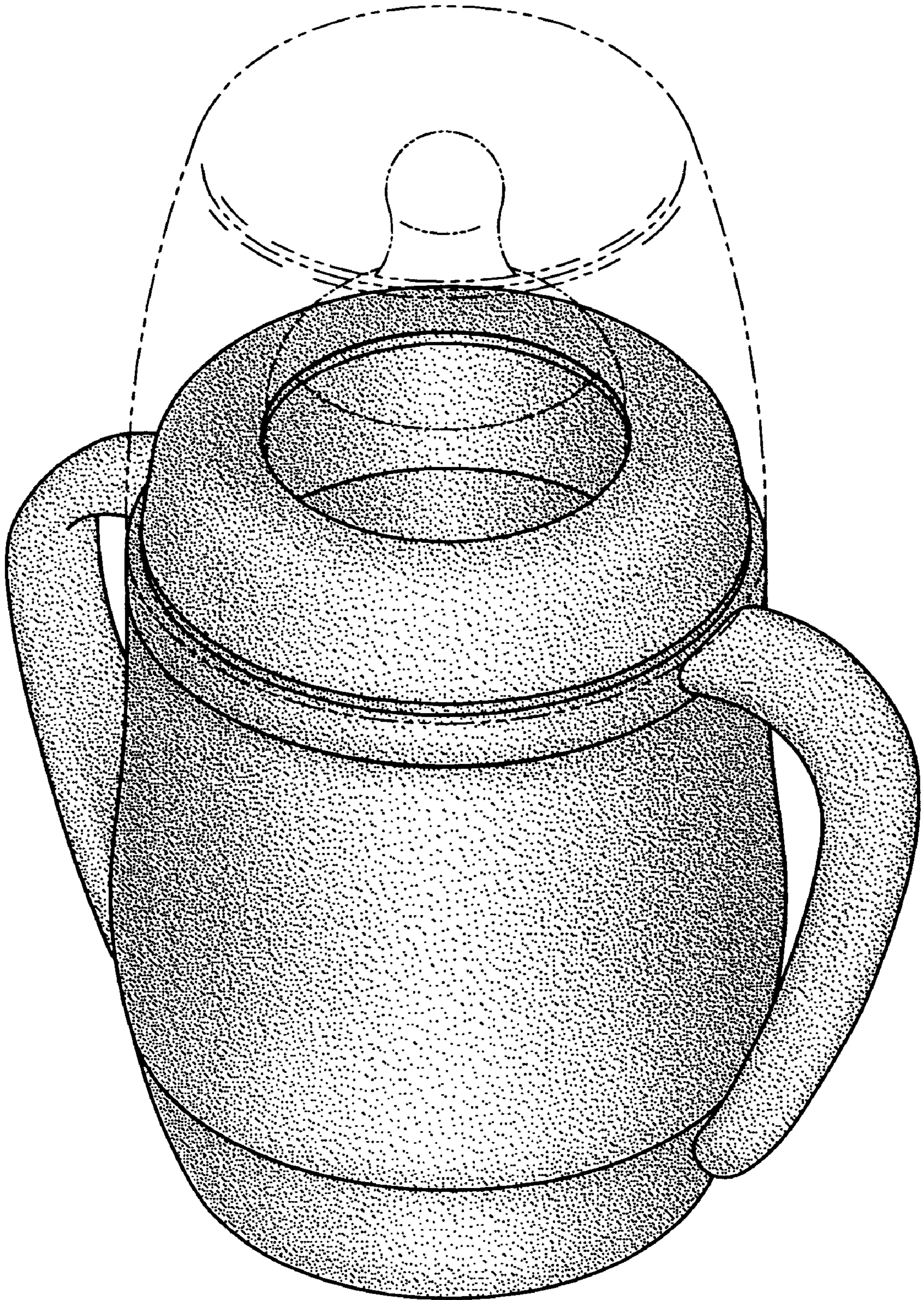


FIG. 6

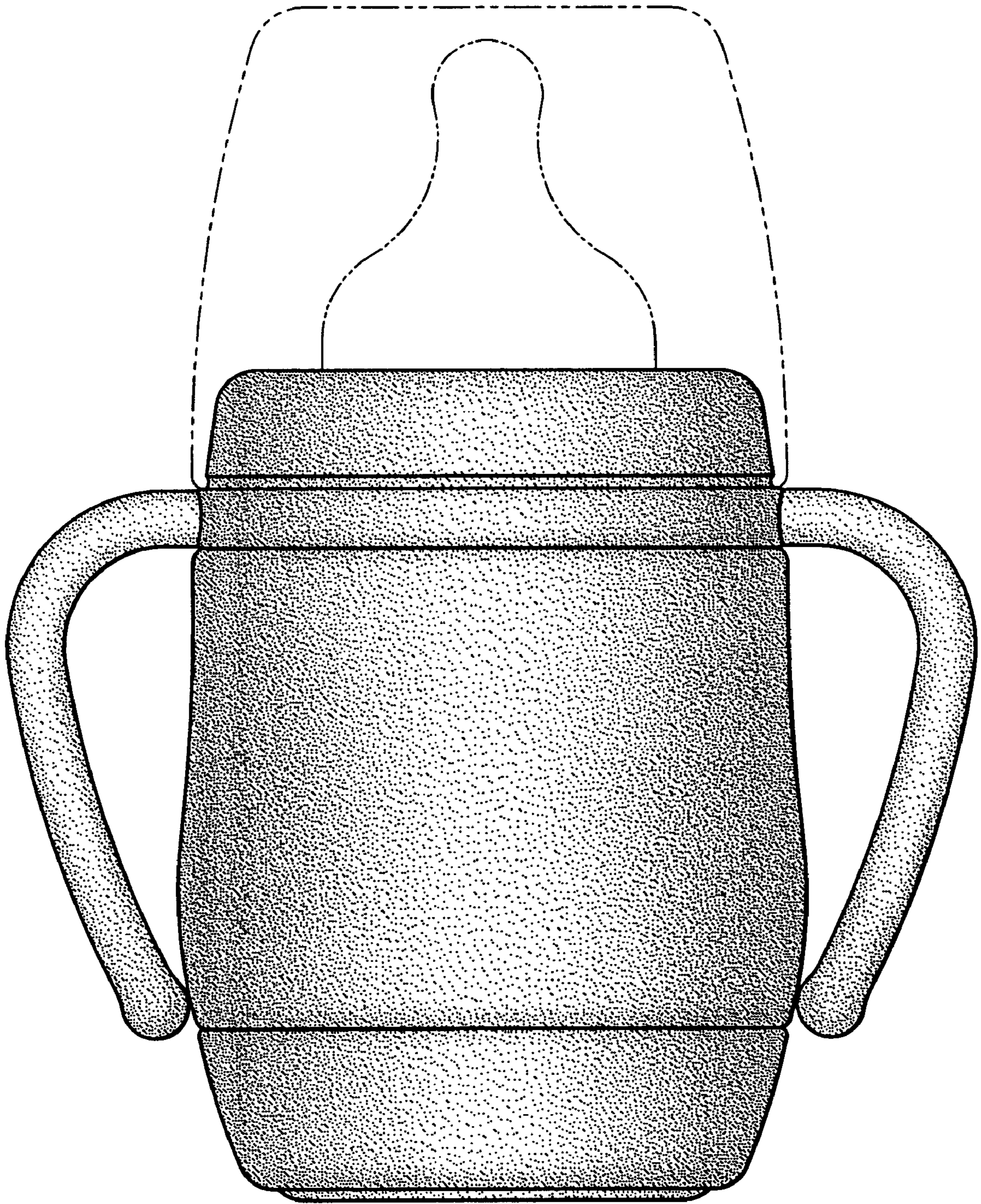


FIG. 7

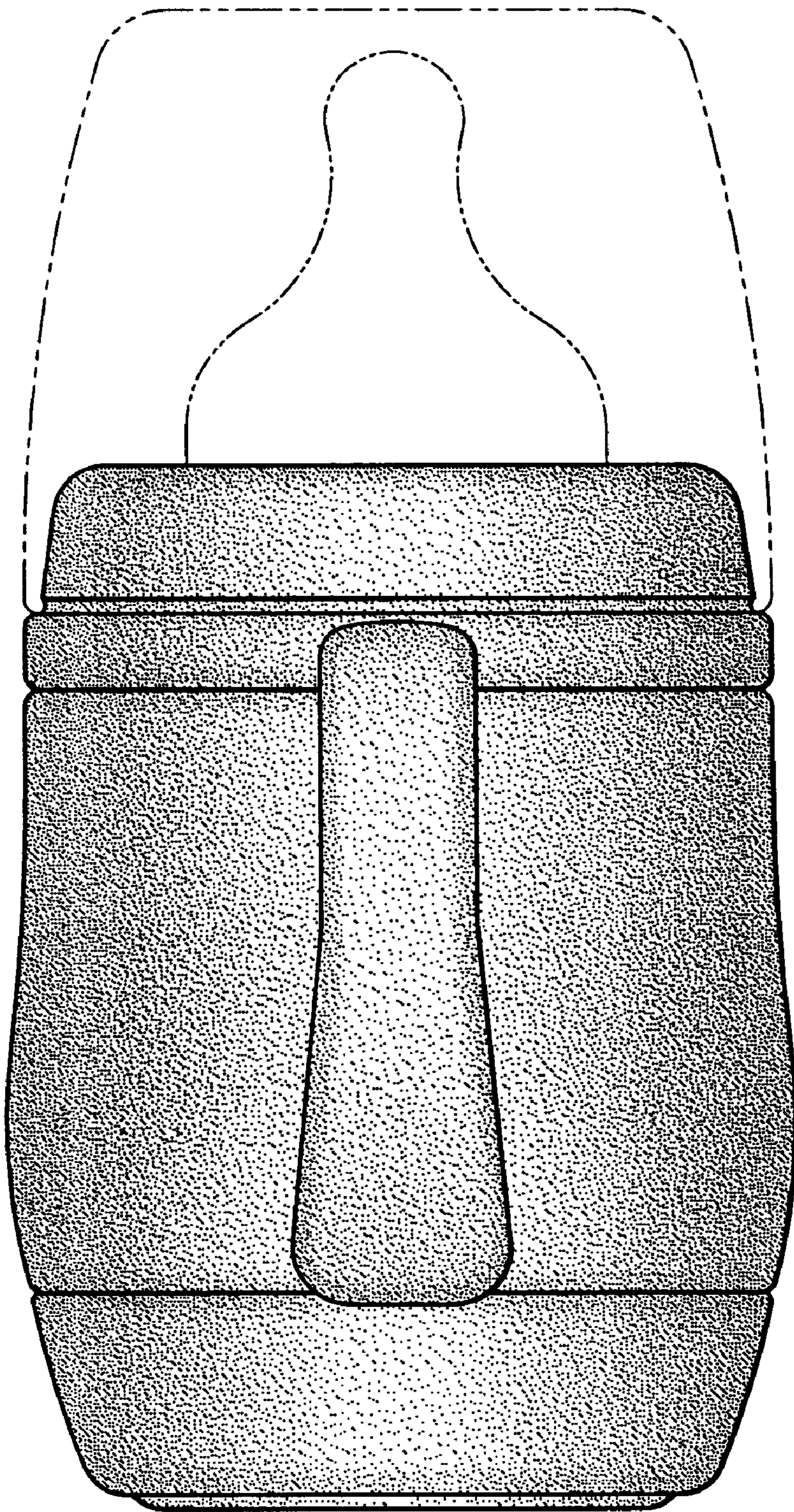


FIG. 8