



US00D433139S

# United States Patent [19]

Brogden et al.

[11] Patent Number: Des. 433,139

[45] Date of Patent: \*\* Oct. 31, 2000

## [54] BASKETBALL IMAGE ON AN ADHESIVE BANDAGE

[75] Inventors: Nancy P. Brogden, New York, N.Y.; Wayne K. Dunshee, Maplewood, Minn.; Bruce R. Miller, Stamford, Conn.; John Rutig, Huntington; Barry G. Seelig, New York, both of N.Y.

[73] Assignee: 3M Innovative Properties Company, St. Paul, Minn.

[\*\*] Term: 14 Years

[21] Appl. No.: 29/077,941

[22] Filed: Oct. 15, 1997

[51] LOC (7) Cl. .... 24-04

[52] U.S. Cl. .... D24/189

[58] Field of Search ..... D24/189; 602/8, 602/41-56

## [56] References Cited

### U.S. PATENT DOCUMENTS

Re. 33,353	9/1990	Heinecke	428/40
Re. 33,727	10/1991	Sims	128/85
D. 267,431	12/1982	Santarelli	D24/49

(List continued on next page.)

### FOREIGN PATENT DOCUMENTS

0 051 935 A2	5/1982	European Pat. Off.	.
0 236 104 A3	9/1987	European Pat. Off.	.
0 465 023 A1	1/1992	European Pat. Off.	.
1 078 285	3/1960	Germany	.
196 39 755			
C1	9/1996	Germany	.
295 18 174			
U1	2/1997	Germany	.
580420	8/1958	Italy	.
WO 94/21207	9/1994	WIPO	.

## OTHER PUBLICATIONS

4 pages of photocopies of sample products from application No. D29/035,049 (Oct. 93; Jun. 1994; Oct. 1994).  
 Brochure "Tegaderm™ Transparent Dressing—Suggested Applications and Special Techniques"; 3M Health Care; Form No. 70-2008-5413-4(321.5)11; Oct., 1991.  
 Brochure "Wound Care"; Medical-Surgical Division 3M Health Care; Form No. 70-2008-4526-4(70.8) VP; Feb. 1990.  
 Flyer "3M Tegaserb™ ulcer dressing" Medical-Surgical Division 3M Health Care; Form No. 70-2008-4530-6(5115)VP; 1991.  
 Flyer "3M Tegaserb™ Ulcer Dressing", Medical-Surgical Division 3M Health Care; Form No. 70-2008-2728-8(301)ii;1990.  
 Flyer "3M Tegaderm™ 1624W transparent dressing"; 3M Health Care; Form No. 70-2008-6769-8c73.75)ii; 1993.

(List continued on next page.)

Primary Examiner—Louis S. Zarfaz  
 Assistant Examiner—G Andoll  
 Attorney, Agent, or Firm—Stephen W. Bauer

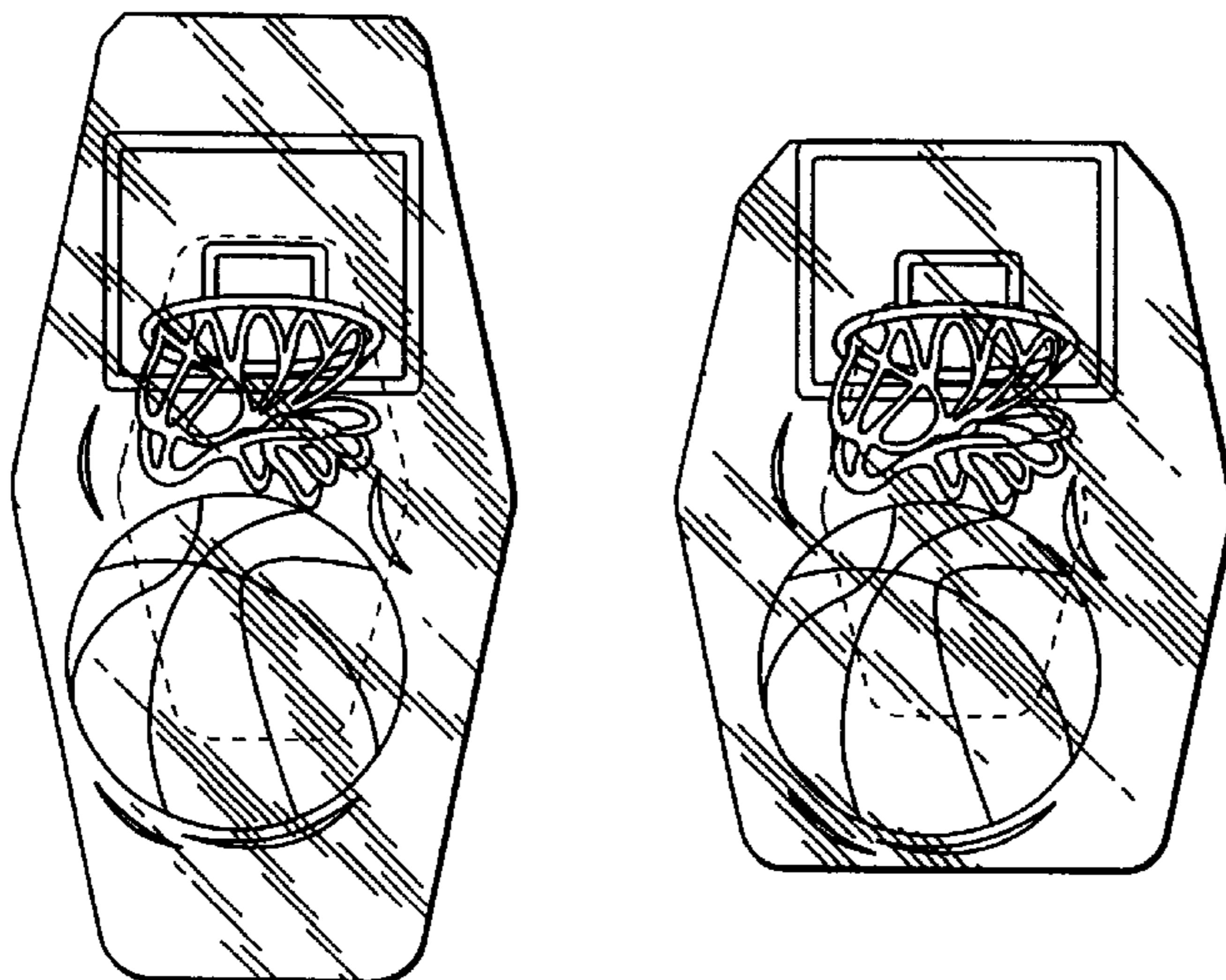
## [57] CLAIM

The ornamental design for a basketball image on an adhesive bandage, as shown and described.

## DESCRIPTION

FIG. 1 is a perspective view of a basketball image on an adhesive bandage showing our new design;  
 FIG. 2 is a top plan view thereof;  
 FIG. 3 is a front elevational view thereof;  
 FIG. 4 is a bottom elevational view thereof;  
 FIG. 5 is a back elevational view thereof;  
 FIG. 6 is a left side elevational view thereof, the right side being a mirror image thereof; and,  
 FIG. 7 is a top plan view of an alternate embodiment thereof.  
 The broken lines in the Figures are for illustrative purposes only and form no part of the claimed design.

1 Claim, 1 Drawing Sheet



## U.S. PATENT DOCUMENTS

D. 267,432	12/1982	Santarelli .....	D24/49	4,787,380	11/1988	Scott .....	128/156
D. 304,238	10/1989	Palau .....	D24/49	4,846,164	7/1989	Martz .....	128/155
D. 340,114	10/1993	Arginsky .....	D24/189	4,917,112	4/1990	Kalt .....	128/156
D. 340,985	11/1993	Arginsky .....	D24/189	4,917,928	4/1990	Heinecke .....	428/41
D. 340,986	11/1993	Arginsky .....	D24/189	4,917,929	4/1990	Heinecke .....	428/41
D. 340,987	11/1993	Arginsky .....	D24/189	5,061,258	10/1991	Martz .....	604/307
D. 340,988	11/1993	Arginsky .....	D24/189	5,088,483	2/1992	Heinecke .....	602/46
D. 340,989	11/1993	Arginsky .....	D24/189	5,123,900	6/1992	Wick .....	602/41
D. 376,850	12/1996	Dunshee et al. ....	D24/189	5,160,315	11/1992	Heinecke et al. ....	602/57
D. 377,688	1/1997	Dunshee et al. ....	D24/189	5,230,350	7/1993	Fentress .....	128/846
D. 383,211	9/1997	Dunshee et al. ....	D24/189	5,520,629	5/1996	Heinecke et al. ....	602/57
D. 387,169	12/1997	Dunshee et al. ....	D24/189	5,531,855	7/1996	Heinecke et al. ....	156/252
D. 389,244	1/1998	Dunshee et al. ....	D24/189	5,593,395	1/1997	Martz .....	604/304
2,851,805	9/1958	Allen .....	41/10				
3,425,412	2/1969	Pope .....	128/156				
4,161,176	7/1979	Harris, II et al. ....	128/155				
4,285,338	8/1981	Lemelson .....	128/155				
4,499,896	2/1985	Heinecke .....	128/156				
4,524,095	6/1985	Gockel et al. ....	428/43				
4,587,146	5/1986	Anhauser et al. ....	428/41				
4,664,106	5/1987	Snedeker .....	128/156				
4,669,458	6/1987	Abraham et al. ....	128/133				
4,678,462	7/1987	Vaillancourt .....	604/180				
4,702,237	10/1987	Gianopoulos et al. ....	128/98.1				

## OTHER PUBLICATIONS

Flyer "3M Tegaderm Transparent Dressing"; 3M Health Care; Form No. 70-2008-7408-2(644)ii; 1994.

Flyer "3M Tegisorb™ THIN hydrocolloid dressing"; 3M Health Care; Form No. 70-2008-6475-2(43.5)ii; 1993.

Package "3M Tegisorb™" dated Aug. 1993.

Brochure "3M Tegisorb™ Hydrocolloid Dressing 3M Tegisorb™ THIN Hydrocolloid Dressing Product Profile"; 3M Health Care; Form. No. 70-2008-3817-8(861)ii; 1996.



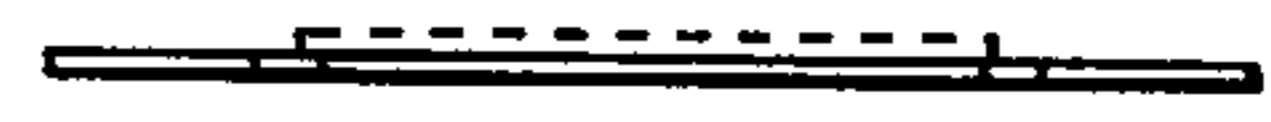


FIG.5

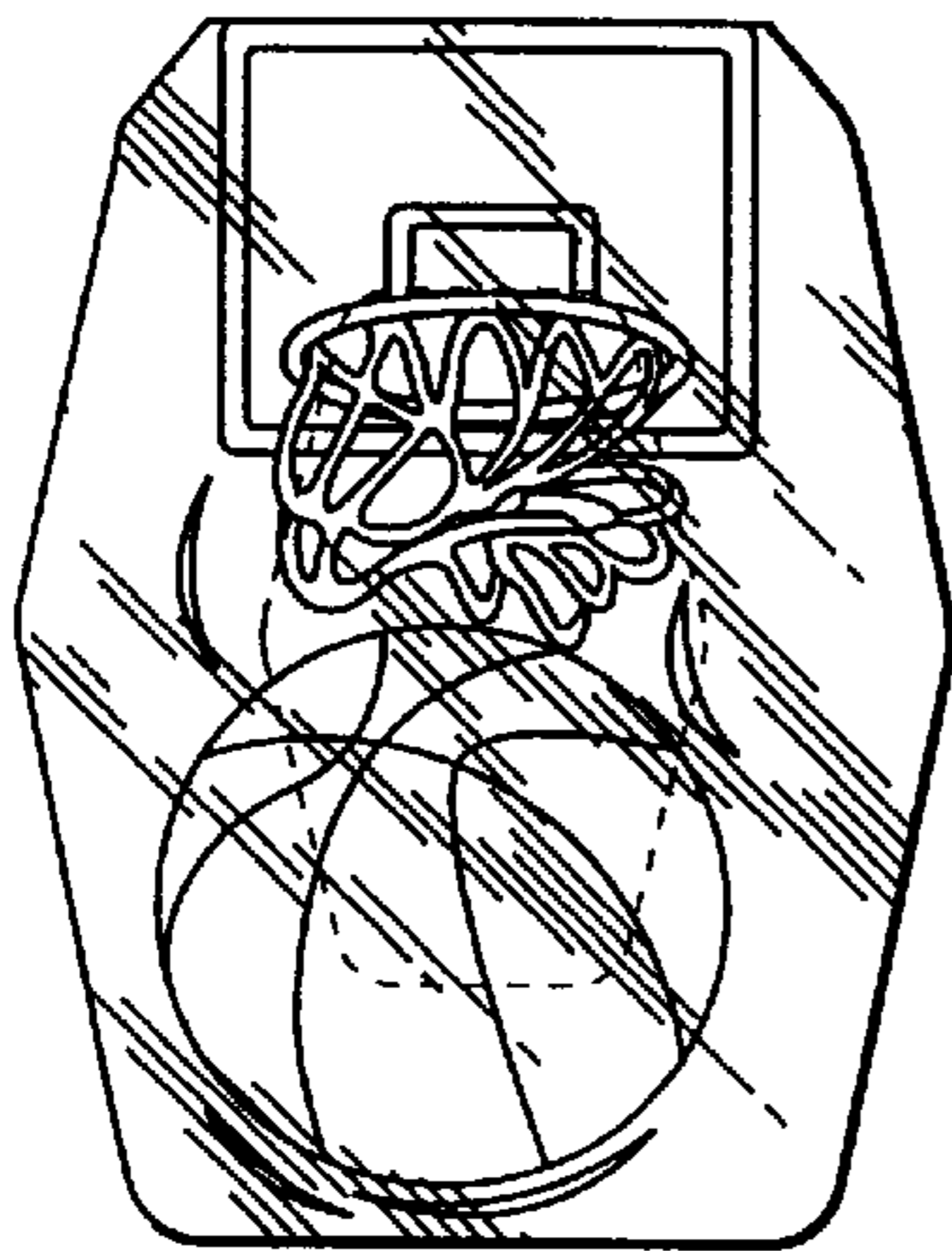


FIG.7



FIG.6

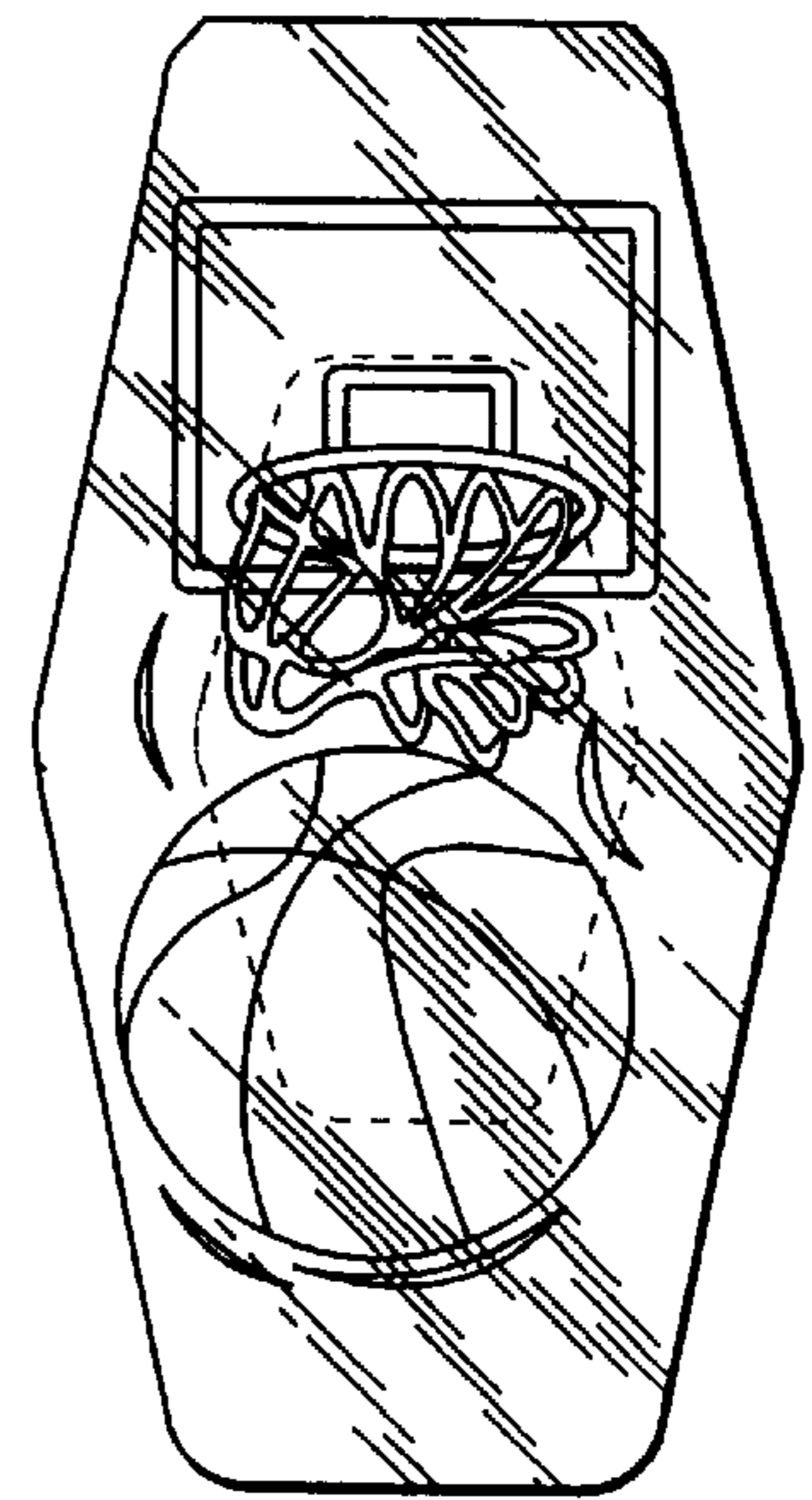


FIG.2



FIG.3

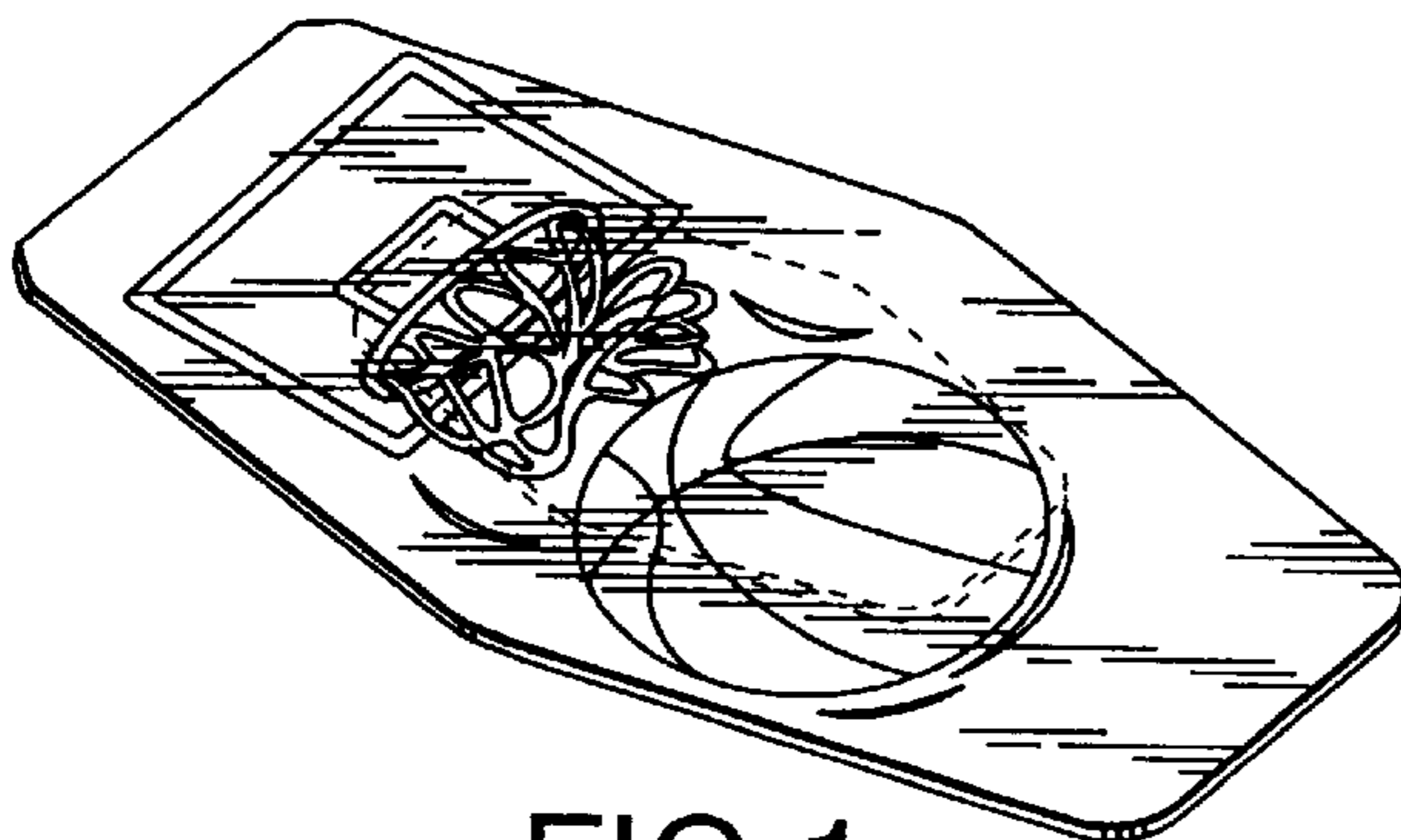


FIG.1

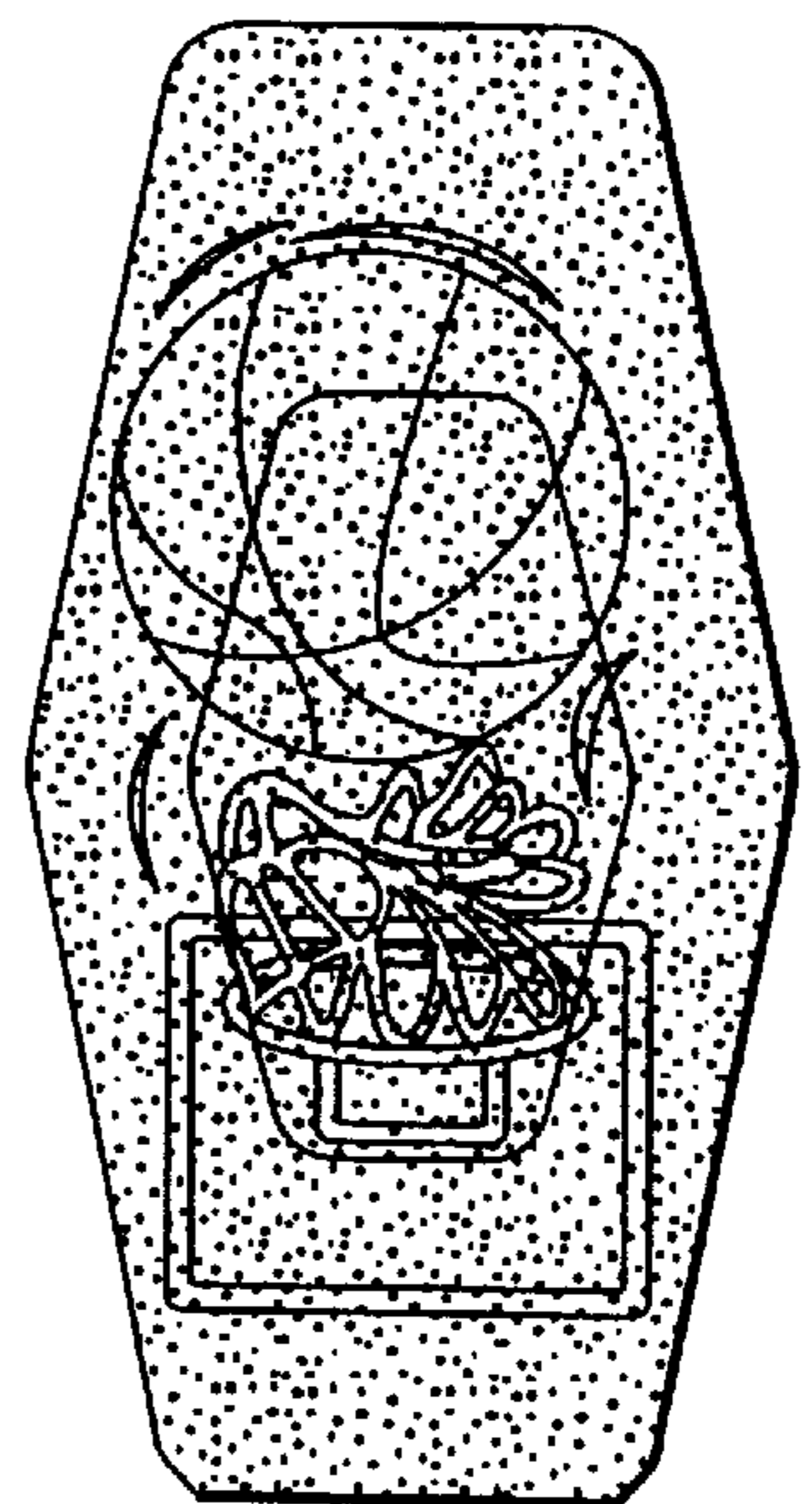


FIG.4

UNITED STATES PATENT AND TRADEMARK OFFICE  
**CERTIFICATE OF CORRECTION**

PATENT NO. : Des 433,139

Page 1 of 1

DATED : October 31, 2000

INVENTOR(S) : Nancy P. Brogden, Wayne K. Dunshee, Bruce R. Miller, John Rutig and Barry G. Seelig

It is certified that error appears in the above-identified patent and that said Letters Patent is hereby corrected as shown below:

Title page,

Item [56] **References Cited**, U.S. PATENT DOCUMENTS, after "D.389,244 01/1998 Dunshee et al. D24/189" please insert:

-- D. 408,540	04/1999	Dunshee et al.	D24/189
D. 408,541	04/1999	Dunshee	D24/189
D. 409,754	05/1999	Dunshee et al.	D24/189
D. 410,087	05/1999	Dunshee et al.	D24/189
D. 410,546	06/1999	Brogden et al.	D24/189 --

Signed and Sealed this

Second Day of April, 2002

*Attest:*



*Attesting Officer*

JAMES E. ROGAN  
*Director of the United States Patent and Trademark Office*