



US00D433138S

United States Patent [19] Kesling

[11] Patent Number: Des. 433,138

[45] Date of Patent: ** Oct. 31, 2000

[54] DENTAL IMPRESSION TRAY

[75] Inventor: Peter C. Kesling, LaPorte, Ind.

[73] Assignee: TP Orthodontics, Inc., Westville, Ind.

[**] Term: 14 Years

[21] Appl. No.: 29/115,794

[22] Filed: Dec. 17, 1999

[51] LOC (7) Cl. 24-99

[52] U.S. Cl. D24/181

[58] Field of Search D24/181; 249/124, 249/127, 149, 160, 177, 183, 54; 425/DIG. 44, DIG. 33; 433/61, 37, 38, 42, 43, 40, 41

[56] References Cited

U.S. PATENT DOCUMENTS

D. 247,916	5/1978	Kesling .	
D. 277,605	2/1985	Werrin	D24/181
D. 289,795	5/1987	Andersson .	
D. 358,889	5/1995	Wong .	
D. 403,771	1/1999	Werrin	D24/181
5,297,960	3/1994	Burns .	
5,316,474	5/1994	Robertson	433/6
5,513,985	5/1996	Robertson	433/6

OTHER PUBLICATIONS

TP Orthodontics, Inc. Product Catalog (1995), pp. 161-163.

Primary Examiner—Antoine Duval Davis
Attorney, Agent, or Firm—Lloyd L. Zickert

[57] CLAIM

The ornamental design for a dental impression tray, as shown and described.

DESCRIPTION

FIG. 1 is a top perspective view of a dental impression tray showing my new design and illustrating its use with respect to a model of the upper arch of a person shown in phantom; FIG. 2 is a bottom perspective view thereof; FIG. 3 is a left side elevational view of the dental impression tray of my new design, the right side being identical in appearance; FIG. 4 is a bottom perspective view of an alternate embodiment for use on the lower arch of a person and showing in phantom a model of a lower arch; FIG. 5 is a top perspective view thereof; and, FIG. 6 is a left side elevational view thereof, the right side being identical in appearance.

1 Claim, 2 Drawing Sheets

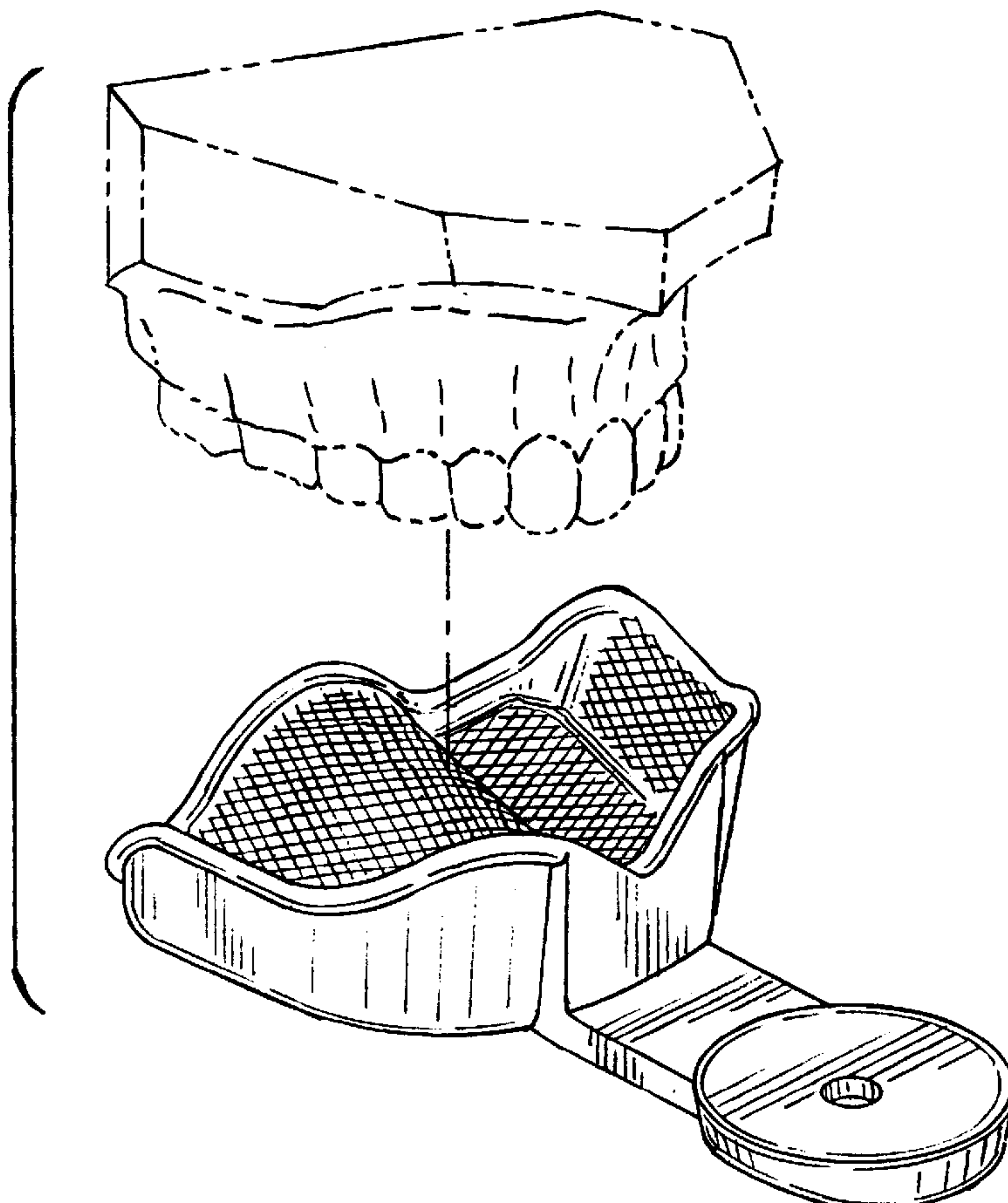


FIG.1

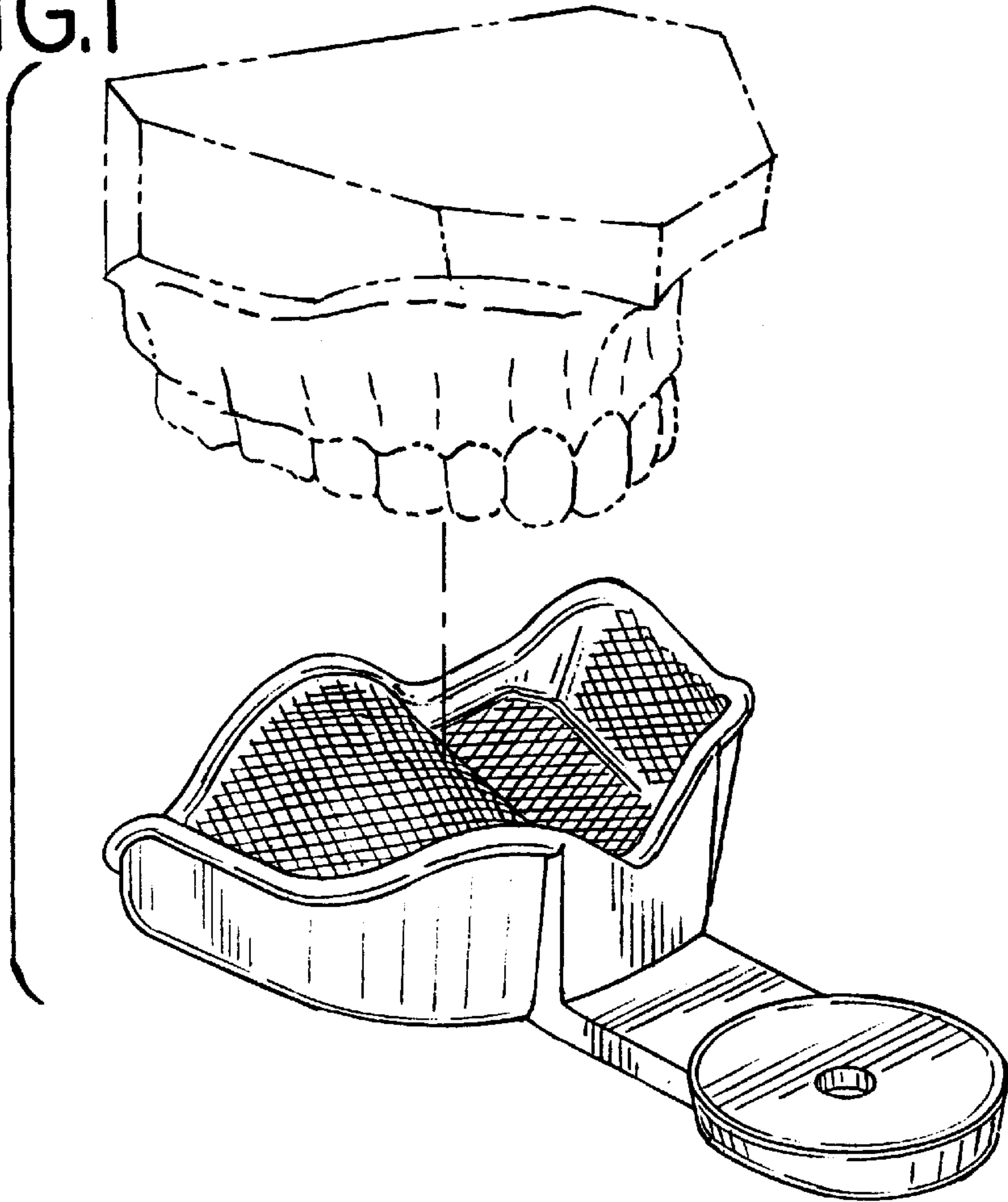


FIG.2

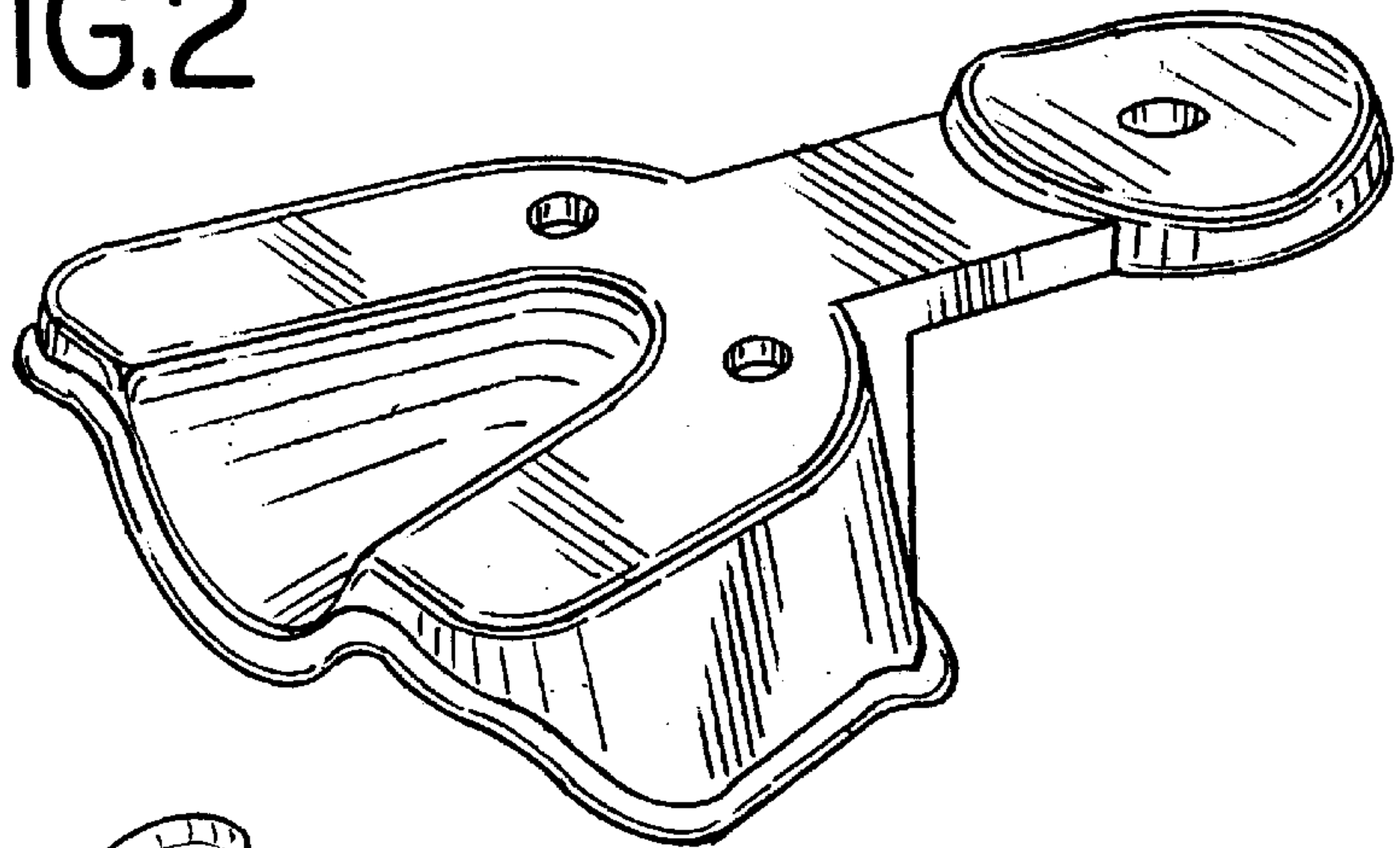


FIG.3

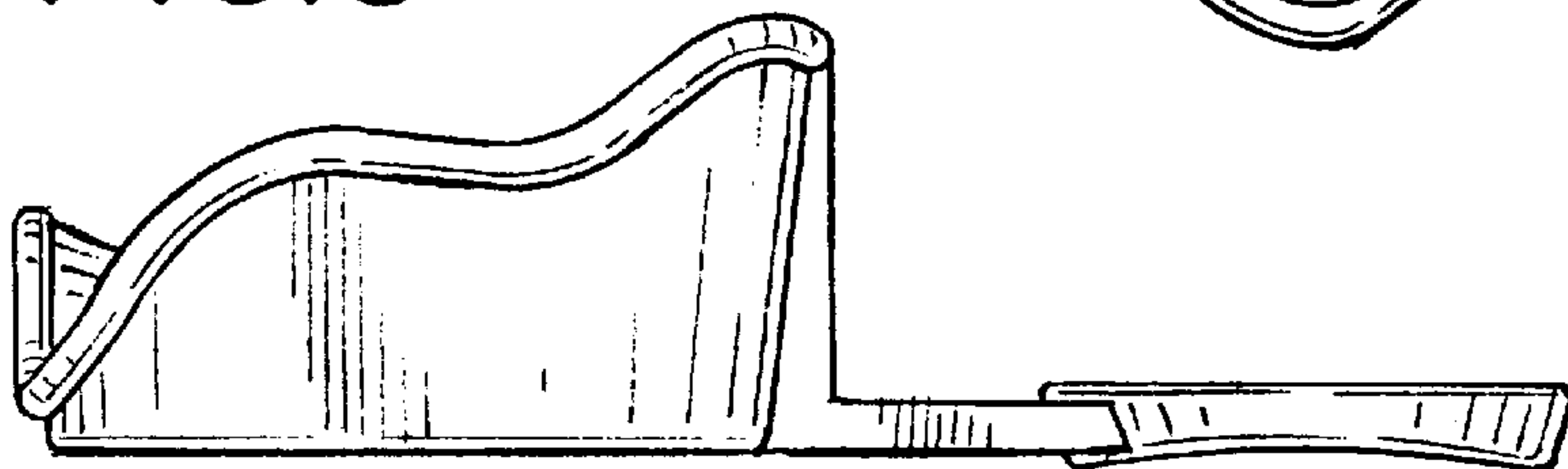


FIG.4

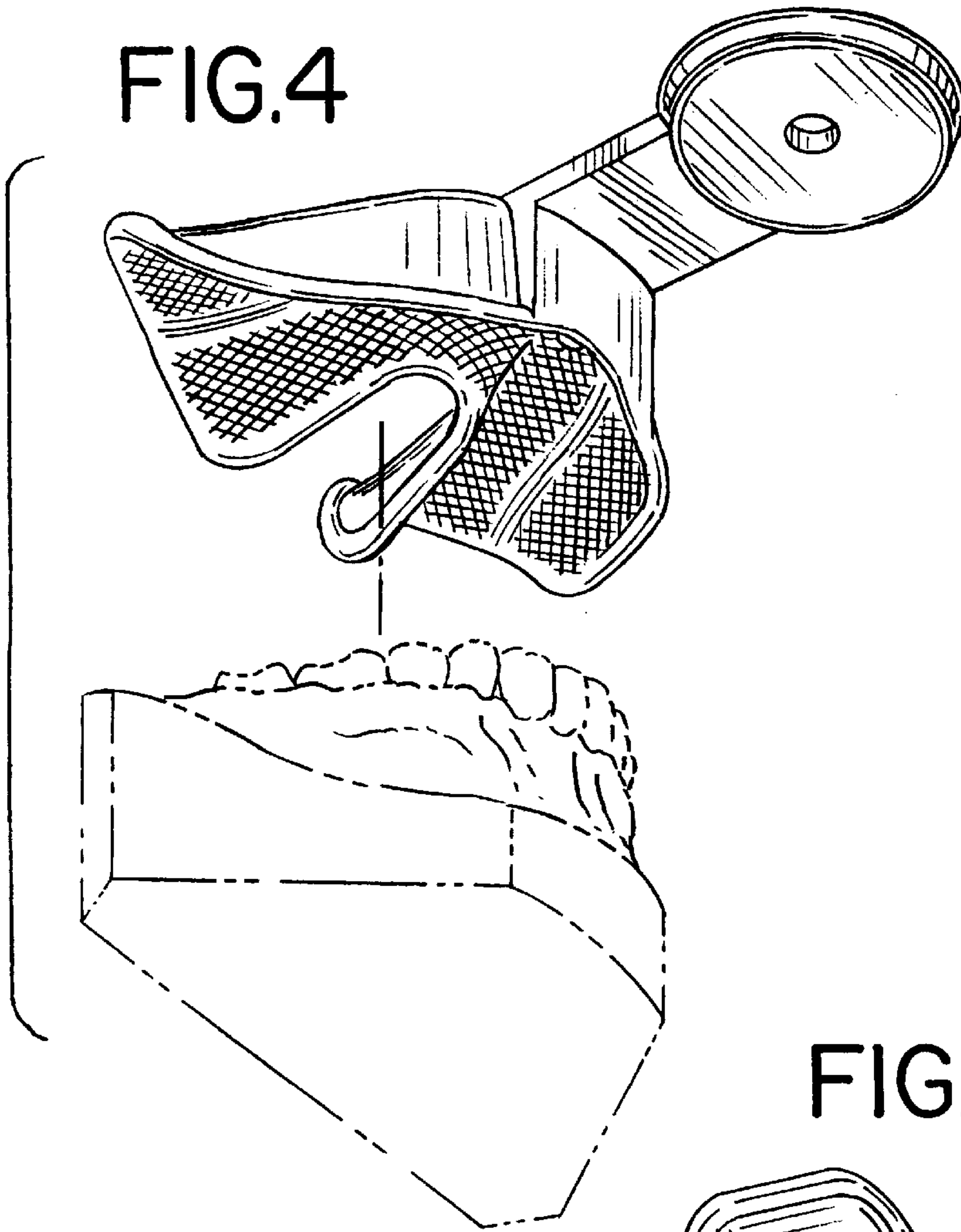


FIG.5

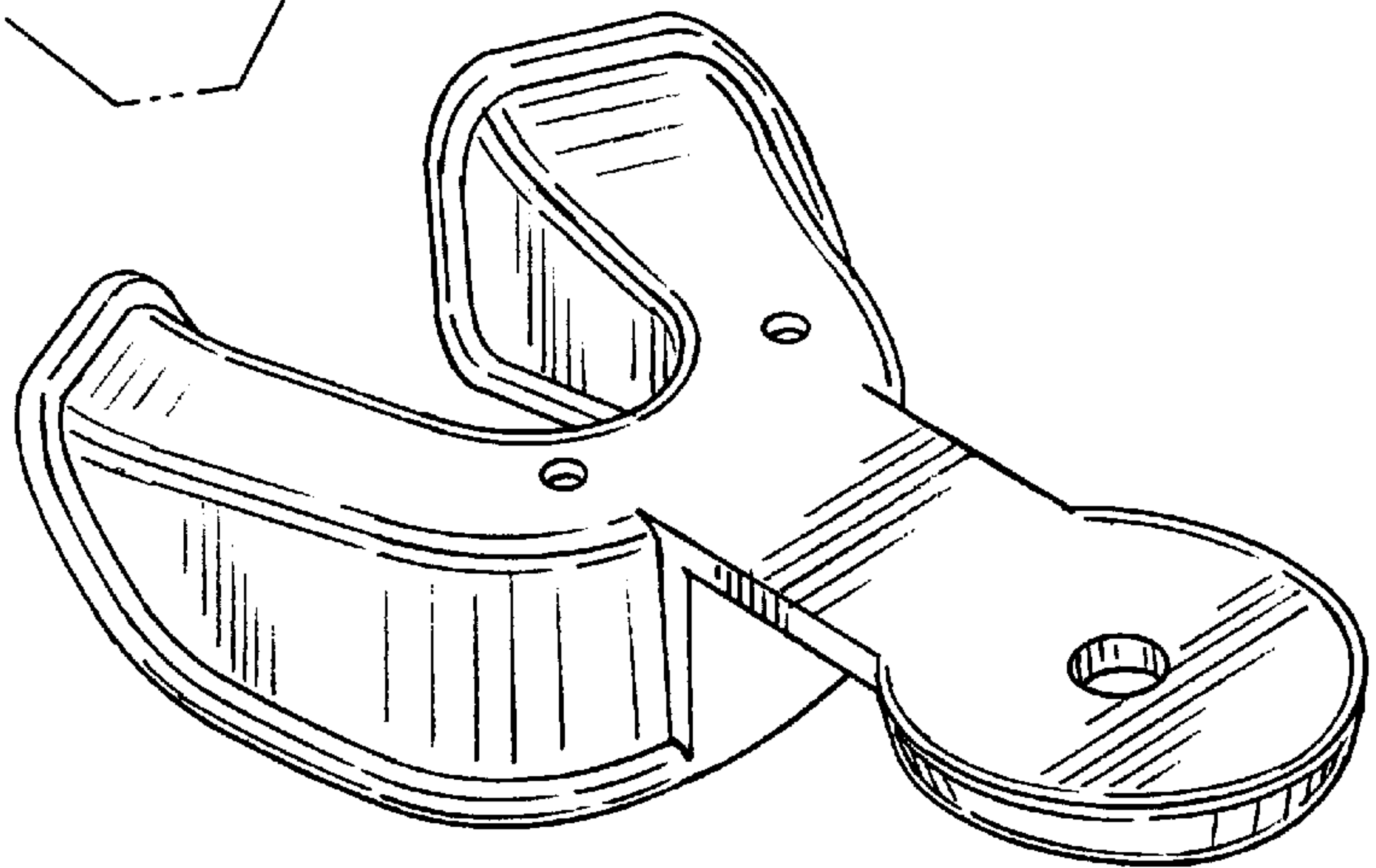


FIG.6

