



US00D433130S

United States Patent [19]
Cude et al.

[11] **Patent Number: Des. 433,130**
[45] **Date of Patent: ** Oct. 31, 2000**

[54] **CATHETER/GUIDE WIRE BOWL**
[75] Inventors: **J. Michael Cude**, Woodburn, Ky.;
William J. Cude, III, Oak Ridge, Tenn.
[73] Assignee: **DeRoyal Industries, Inc.**, Powell,
Tenn.
[**] Term: **14 Years**
[21] Appl. No.: **29/103,327**
[22] Filed: **Apr. 13, 1999**

Related U.S. Application Data

[63] Continuation-in-part of application No. 08/873,691, Jun. 12,
1997, abandoned.
[51] **LOC (7) Cl.** **24-04**
[52] **U.S. Cl.** **D24/121; D24/140; D24/227;**
D24/229
[58] **Field of Search** **D24/227, 230,**
D24/229, 121, 140; D7/601, 602, 629,
672, 584, 587, 566, 586, 561, 562, 565;
206/364, 363, 365, 520, 407, 408, 434,
509, 210, 570, 571, 203; D9/419, 424,
428, 429

[56] **References Cited**
U.S. PATENT DOCUMENTS
D. 278,931 5/1985 Larsson et al. D24/224
D. 364,564 11/1995 Moore D9/429
4,915,216 4/1990 Magers 206/520
4,936,448 6/1990 Holloway .
5,590,778 1/1997 Dutchik 206/439
5,611,428 3/1997 Banerian .
5,738,213 4/1998 Whiting et al. .

Primary Examiner—Ian Simmons
Attorney, Agent, or Firm—Pitts & Brittan, P.C.

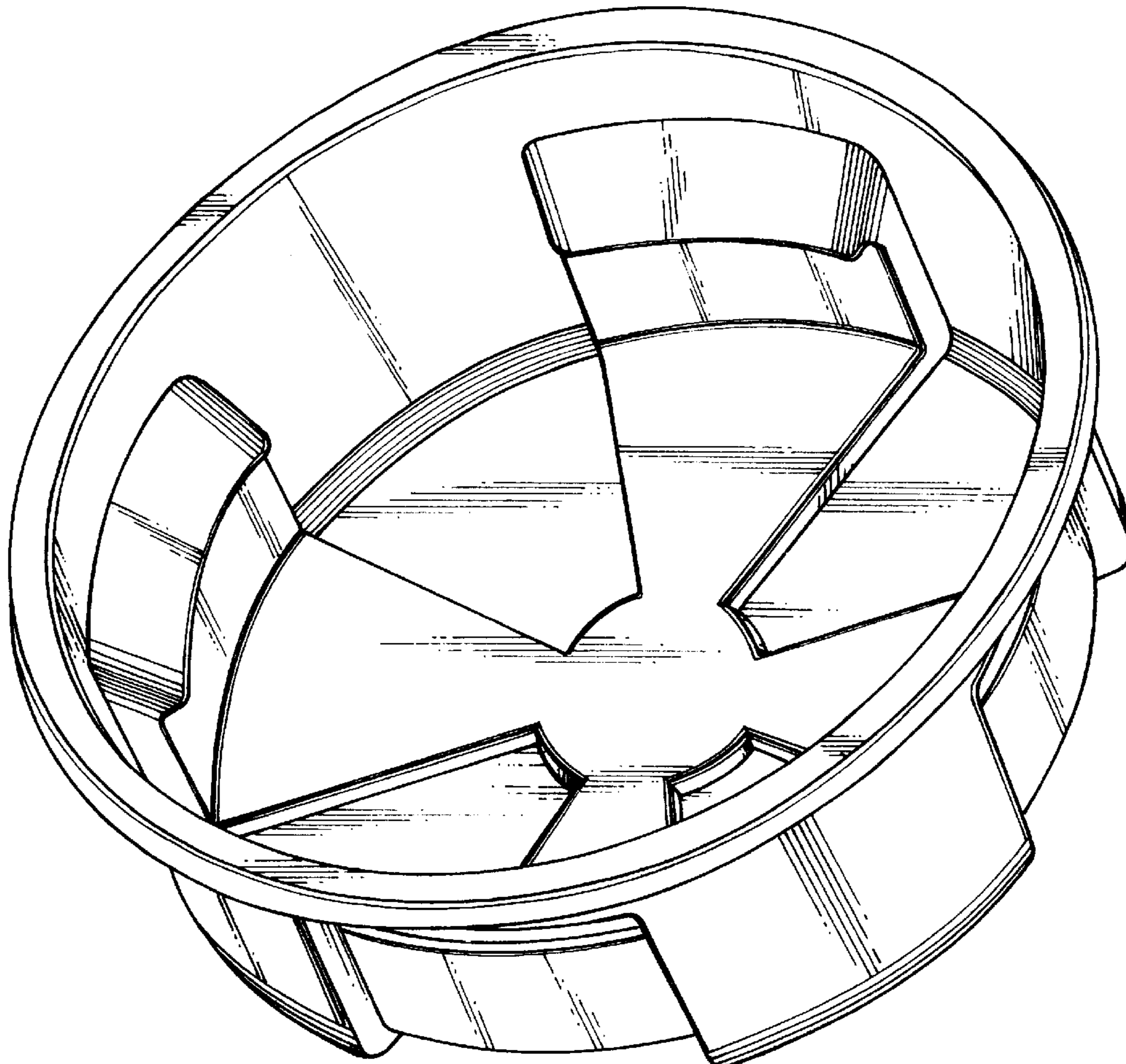
[57] **CLAIM**

The ornamental design of a catheter/guide wire bowl, as shown and described.

DESCRIPTION

FIG. 1 is an isometric view thereof;
FIG. 2 is a top plan view thereof;
FIG. 3 is a side view thereof; and,
FIG. 4 is a bottom view thereof;

1 Claim, 3 Drawing Sheets



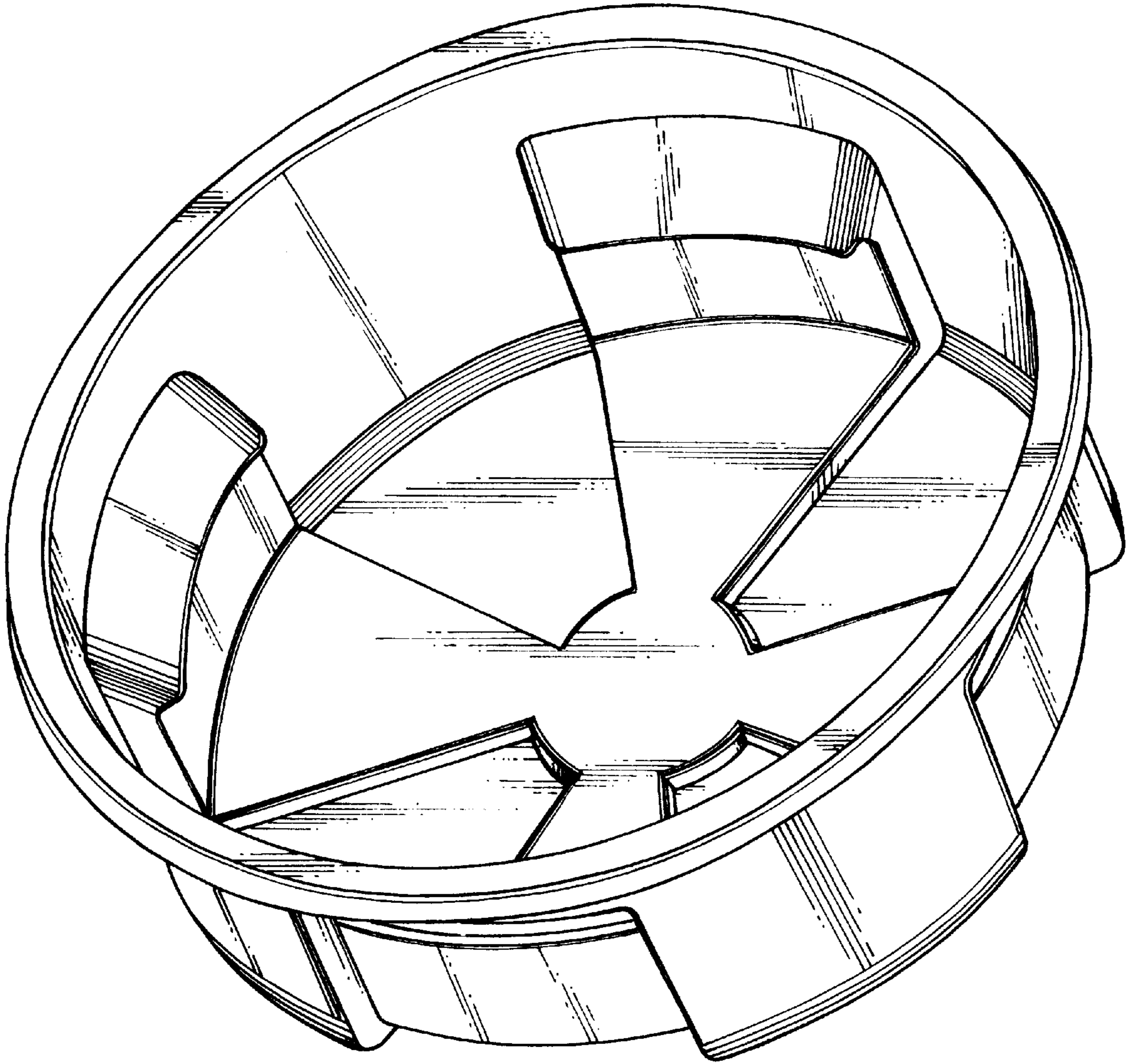


Fig. 1

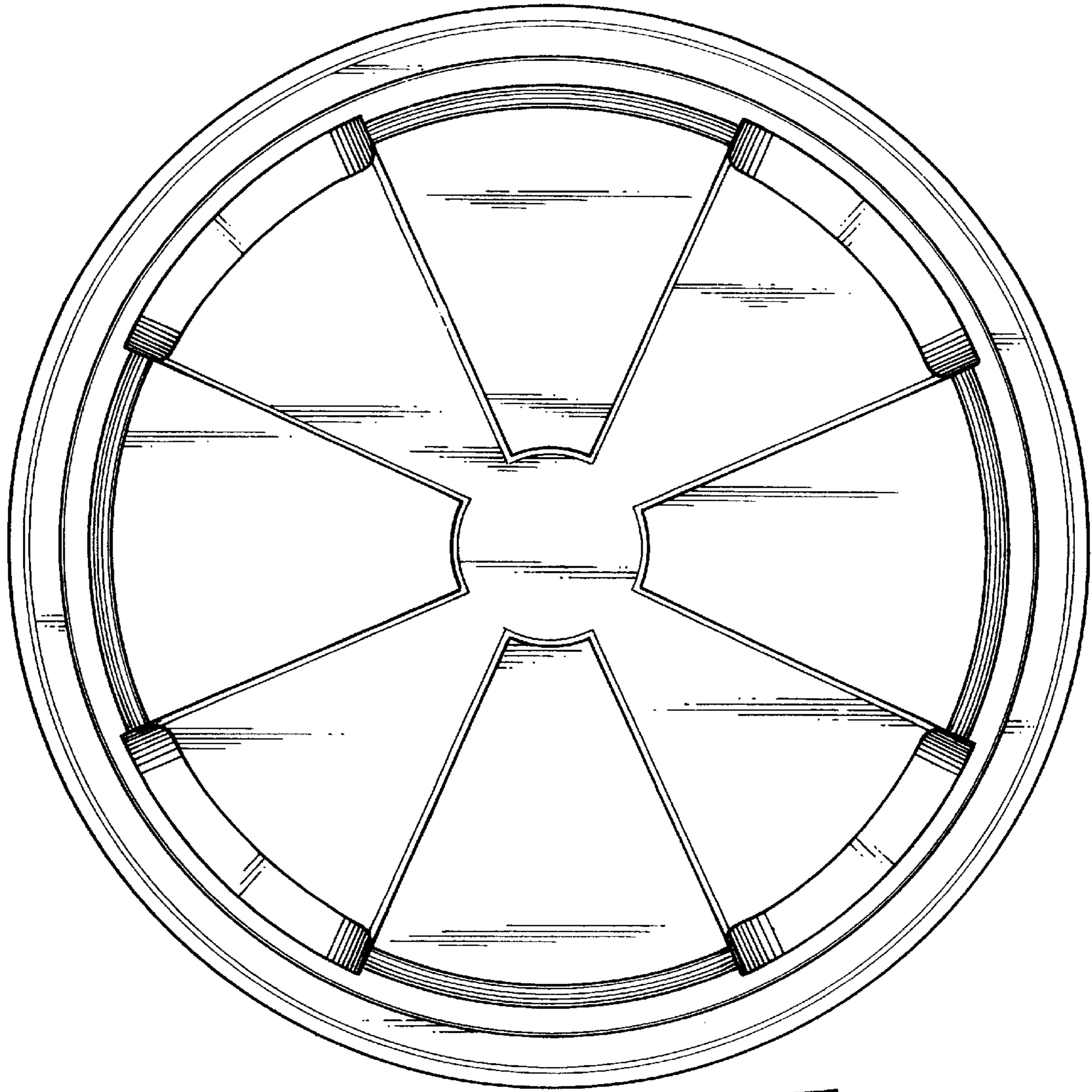


Fig. 2

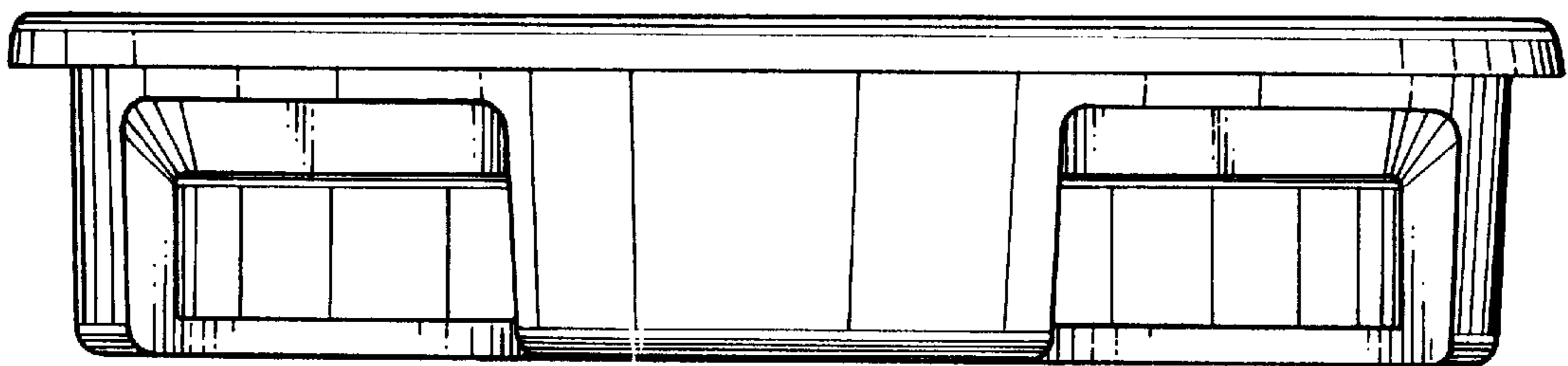


Fig. 3

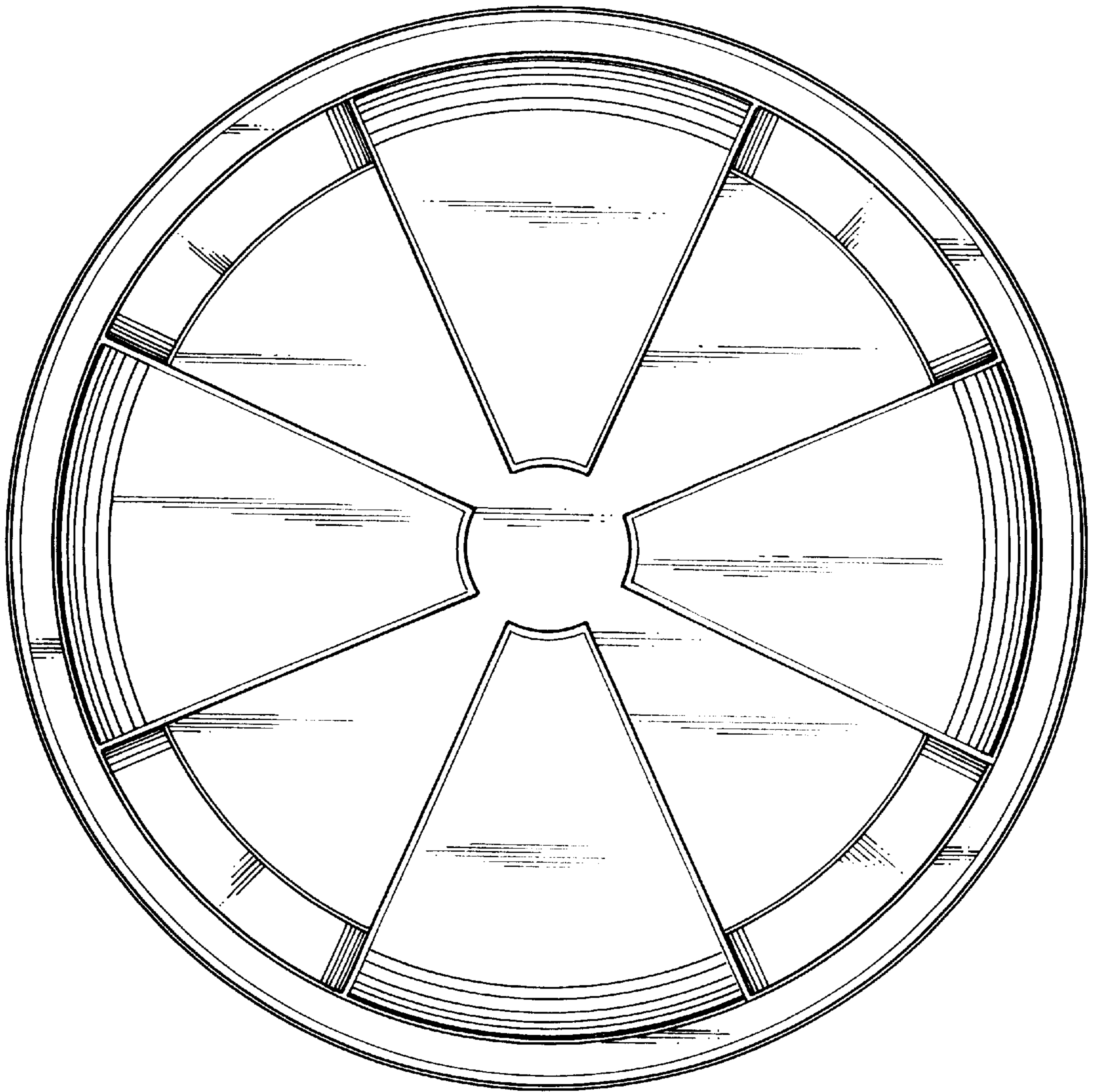


Fig. 4