



US00D433126S

United States Patent [19] McCurry

[11] **Patent Number: Des. 433,126**

[45] **Date of Patent: ** Oct. 31, 2000**

[54] **INHALATION DEVICE**

3,865,279 2/1975 James 128/200.23
4,969,578 11/1990 Gander et al. 128/200.23
5,692,492 12/1997 Bruna et al. 128/200.23

[75] Inventor: **Michael McCurry**, Ware, United Kingdom

Primary Examiner—Ian Simmons
Attorney, Agent, or Firm—James P. Riek

[73] Assignee: **Glaxo Wellcome Inc.**, Research Triangle Park, N.C.

[57] **CLAIM**

[**] Term: **14 Years**

The ornamental design for an inhalation device, as shown and described.

[21] Appl. No.: **29/108,498**

DESCRIPTION

[22] Filed: **Jul. 28, 1999**

FIG. 1 is a perspective view of the inhalation device of our new design;
FIG. 2 is a perspective view with the cover shown in an open position;
FIG. 3 is a front view;
FIG. 4 is a side view;
FIG. 5 is a rear view;
FIG. 6 is a view of the other side of the inhalation device shown in FIG. 4;
FIG. 7 is a top plan view;
FIG. 8 is a bottom plan view; and,
FIG. 9 is a side view with the cover shown in an open position.

[30] Foreign Application Priority Data

Jan. 29, 1999 [GB] United Kingdom 2080729

[51] **LOC (7) Cl.** **29-02**

[52] **U.S. Cl.** **D24/110**

[58] **Field of Search** D24/110; 128/200.14, 128/200.23, 200.12, 205.11, 203.12, 203.13, 203.15, 200.21

[56] References Cited

U.S. PATENT DOCUMENTS

D. 276,847 12/1984 Nyman et al. D24/110
D. 377,215 1/1997 Rand D24/110

1 Claim, 3 Drawing Sheets

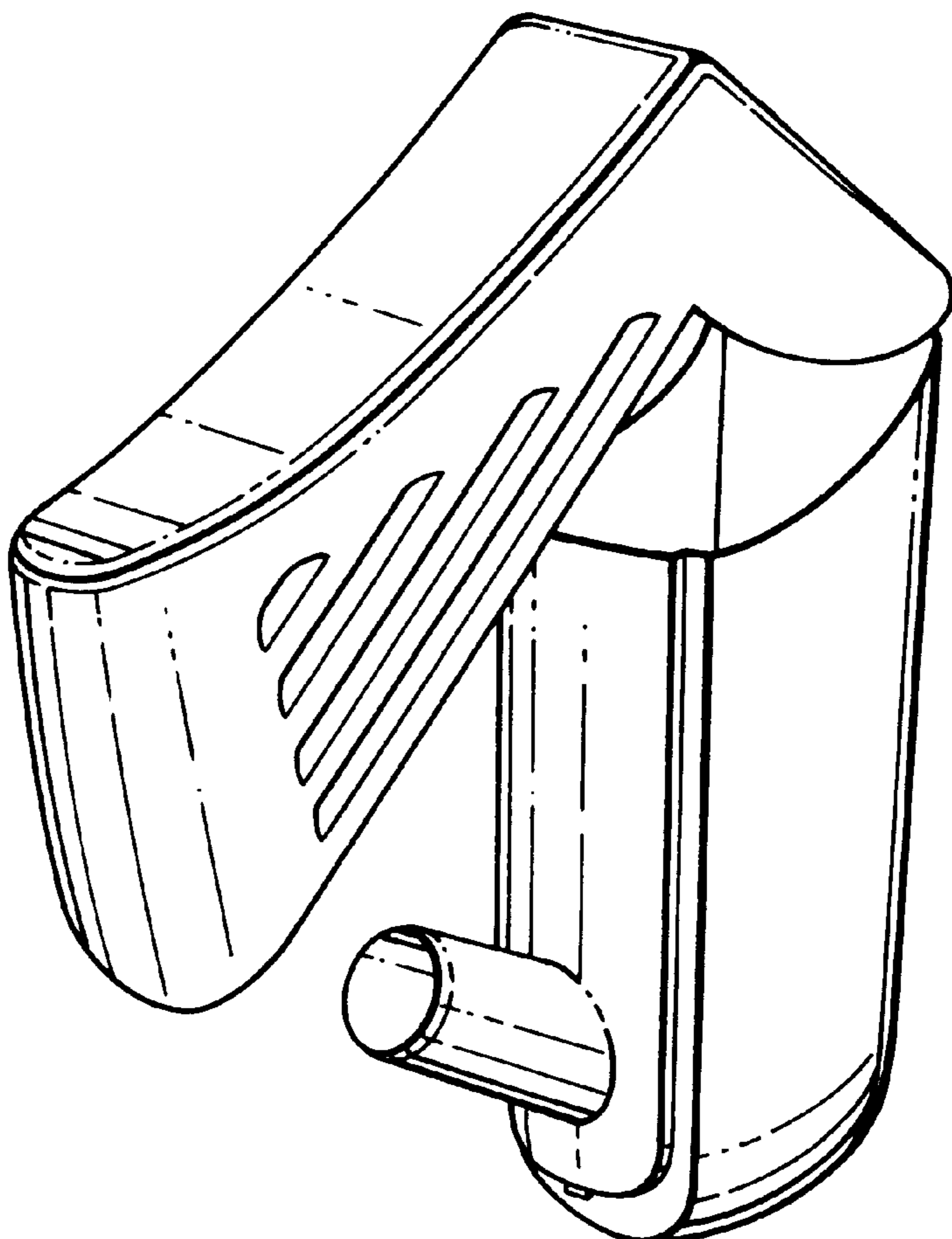


FIG. 1

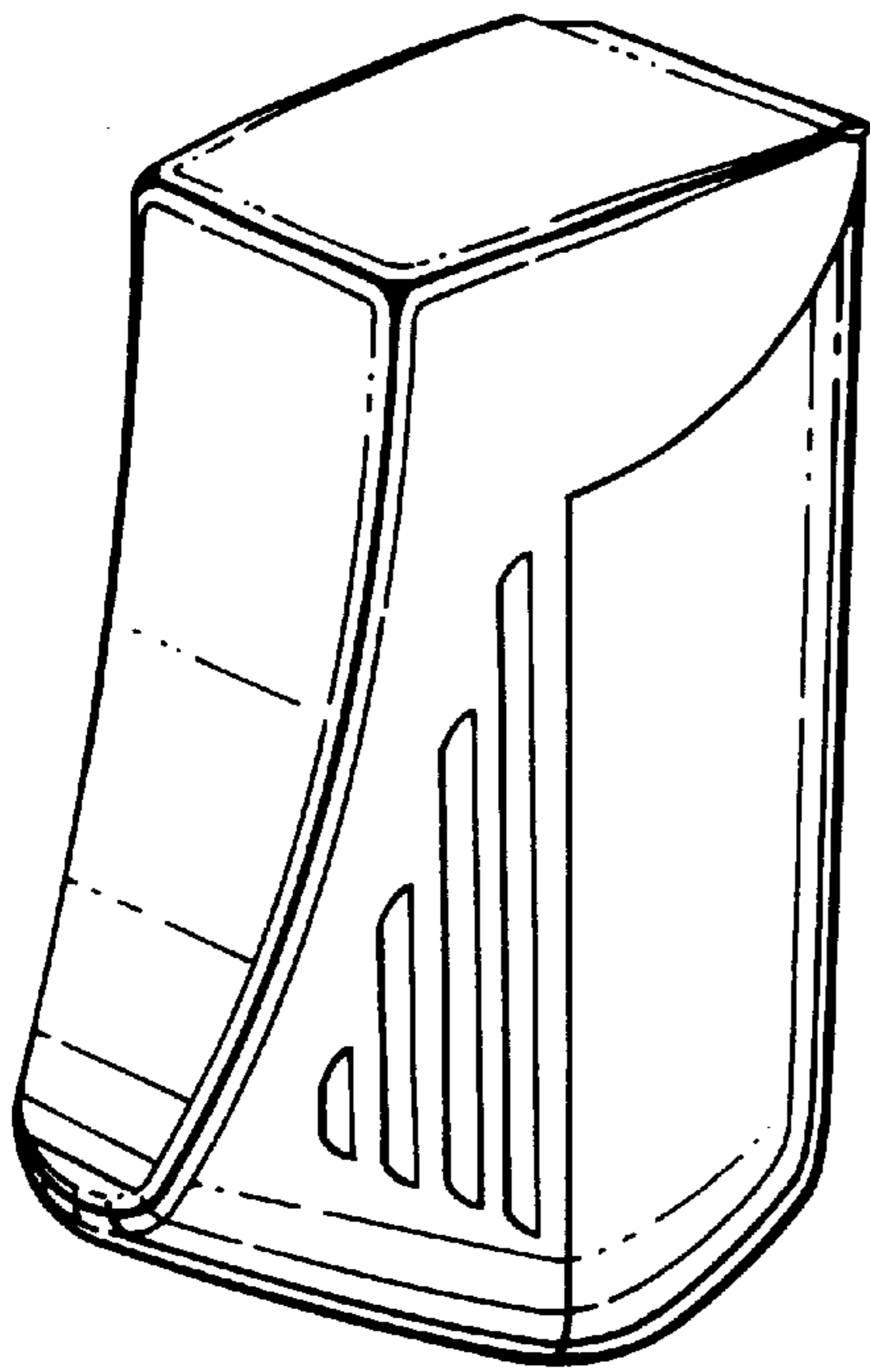


FIG. 2

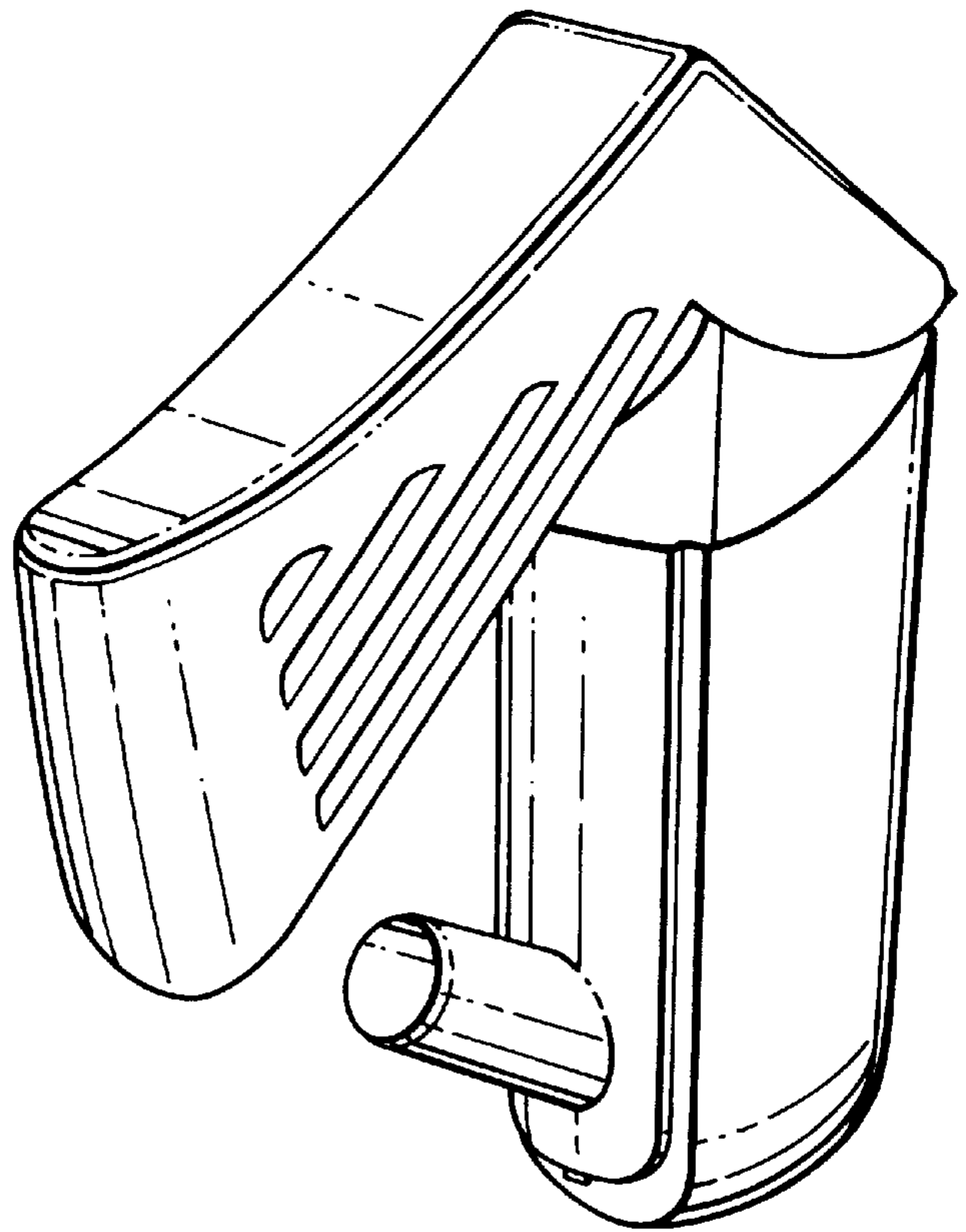


FIG. 3

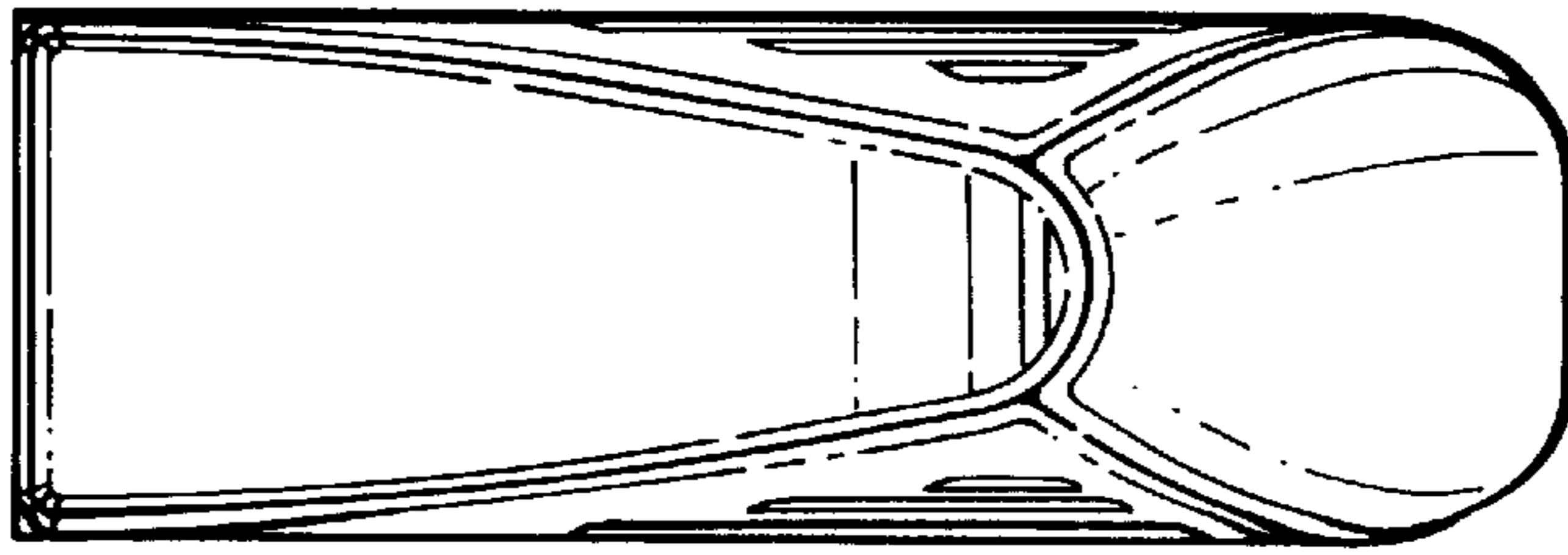


FIG. 4

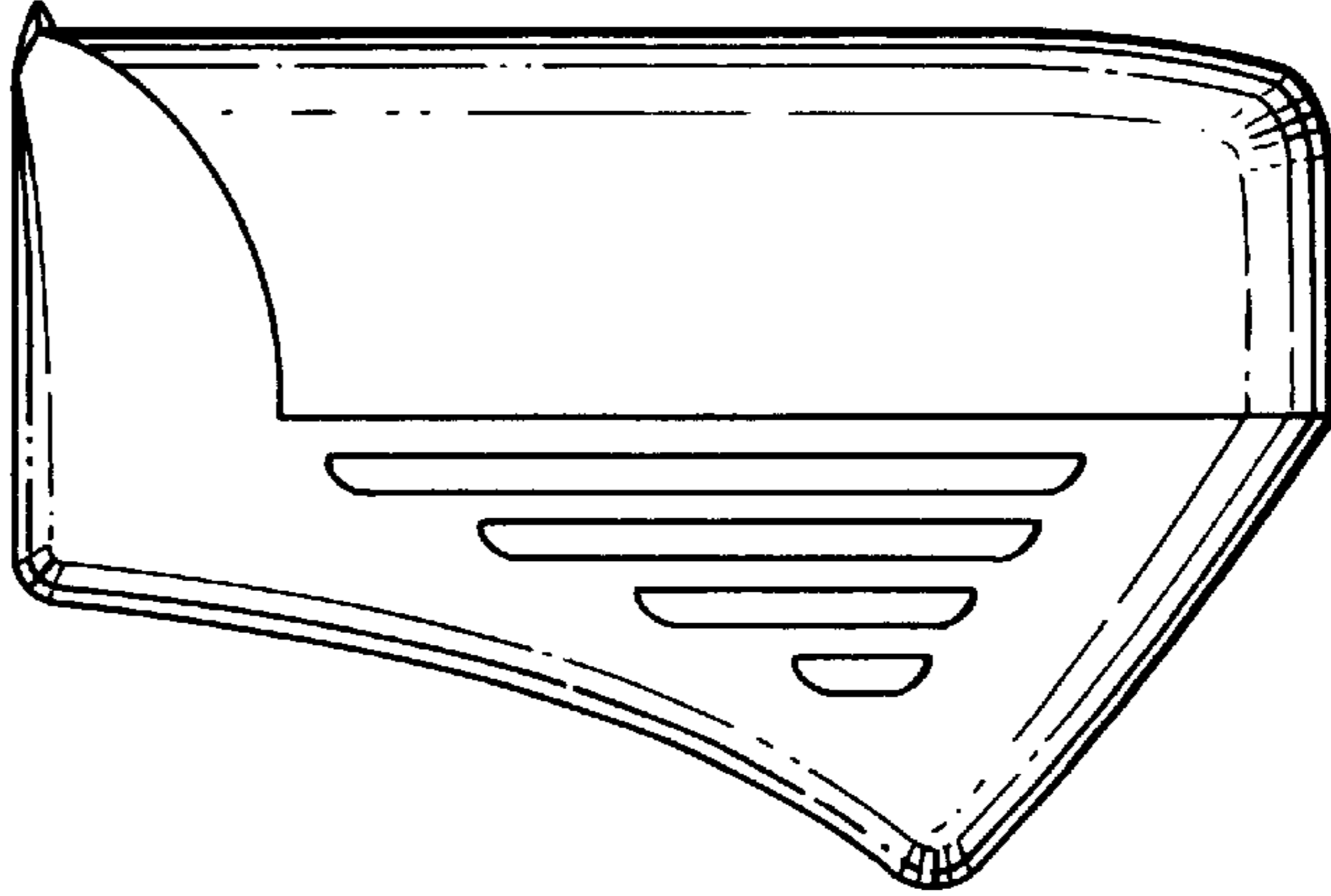


FIG. 5

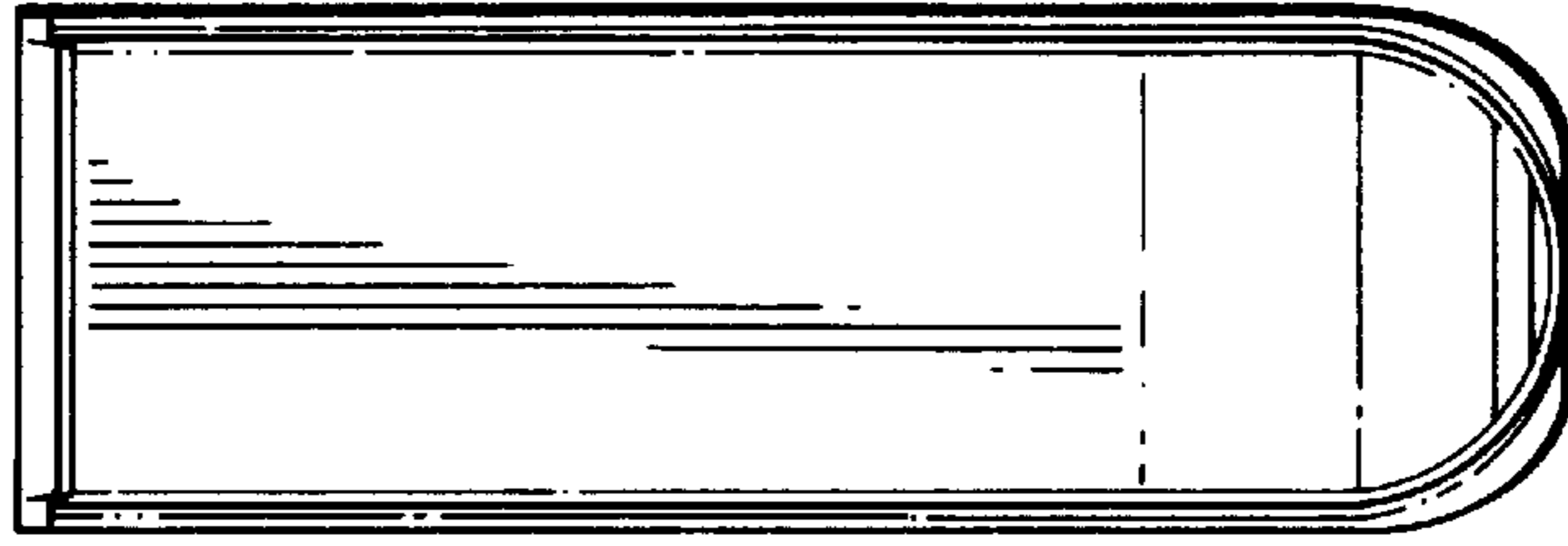


FIG. 6

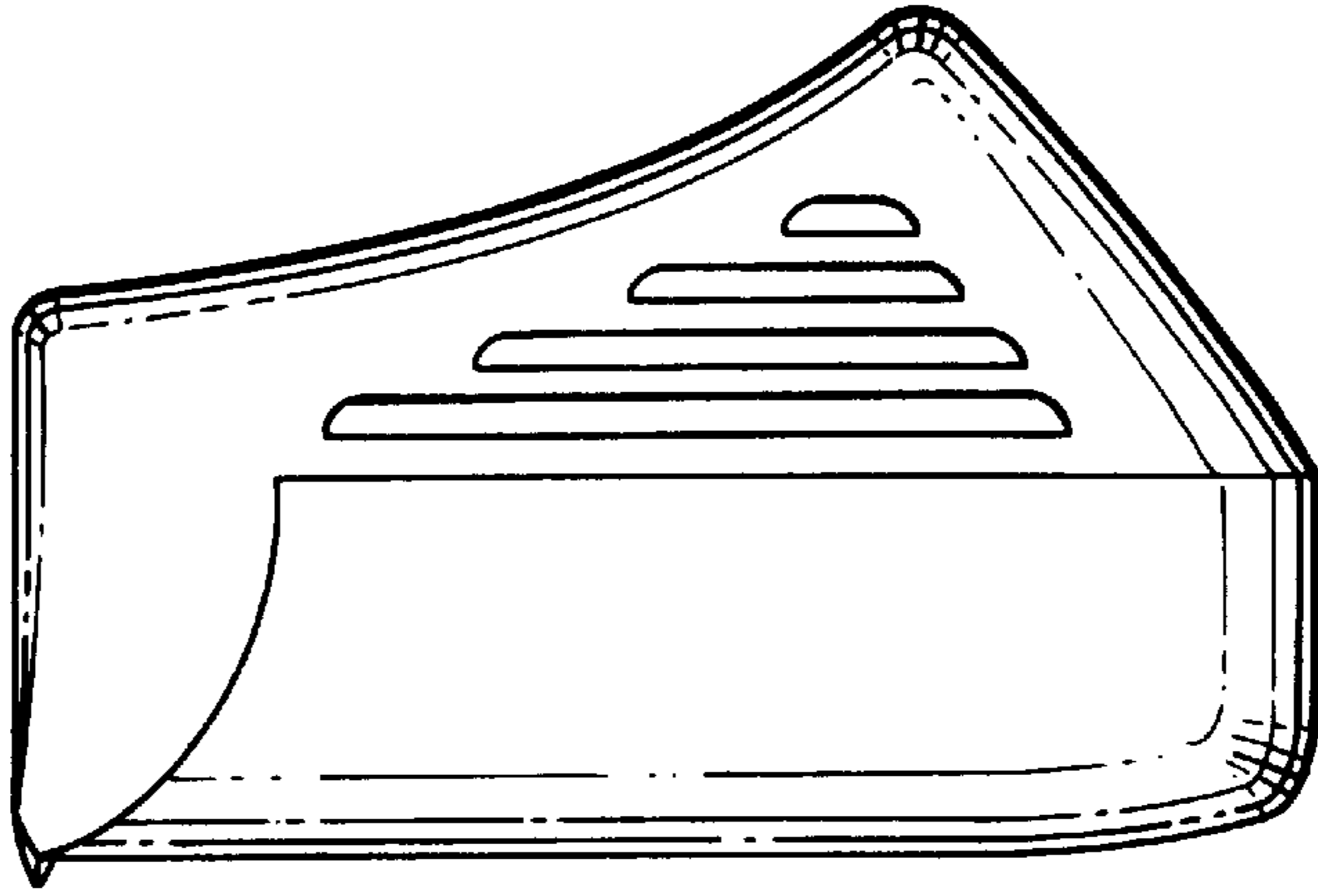


FIG. 9

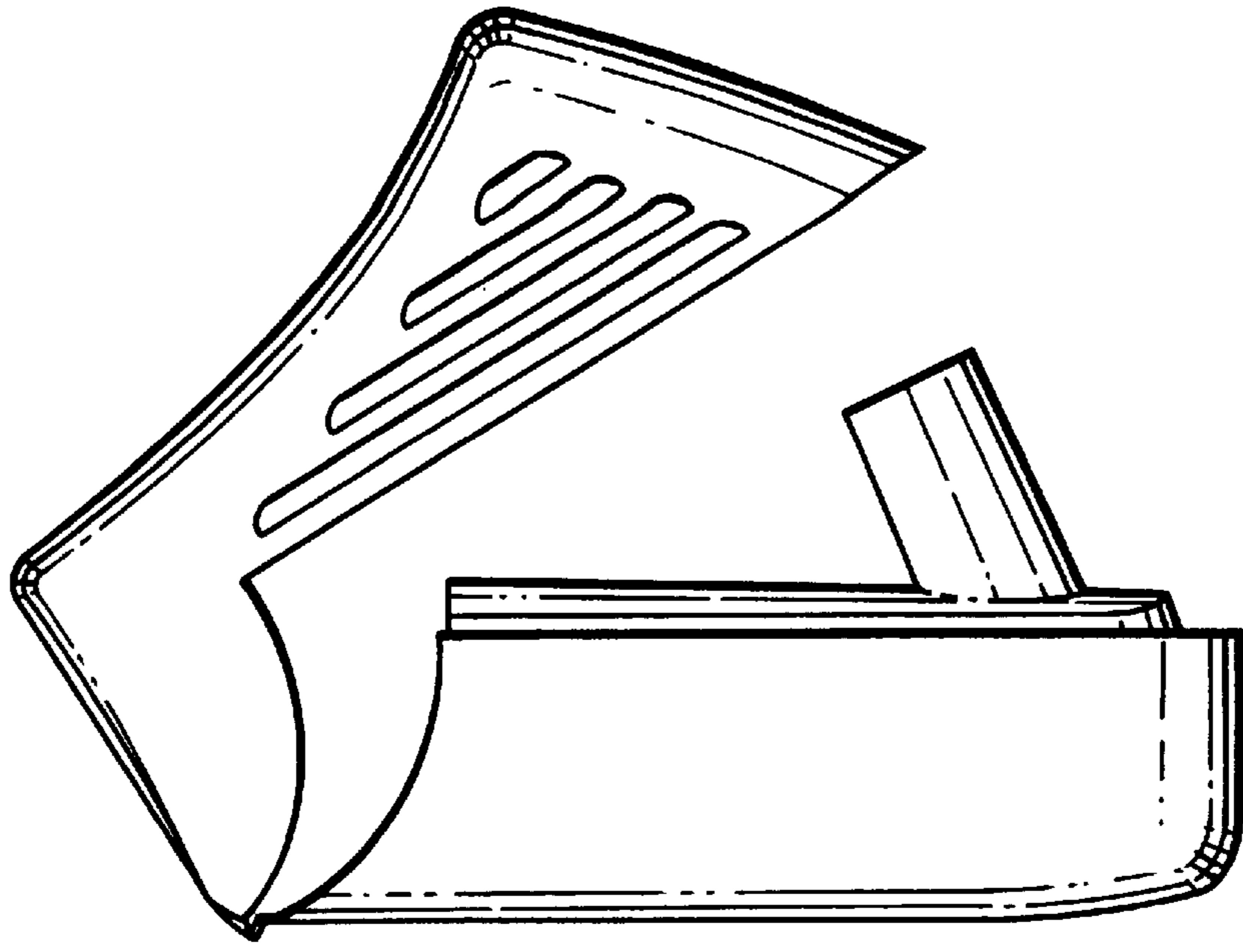


FIG. 7

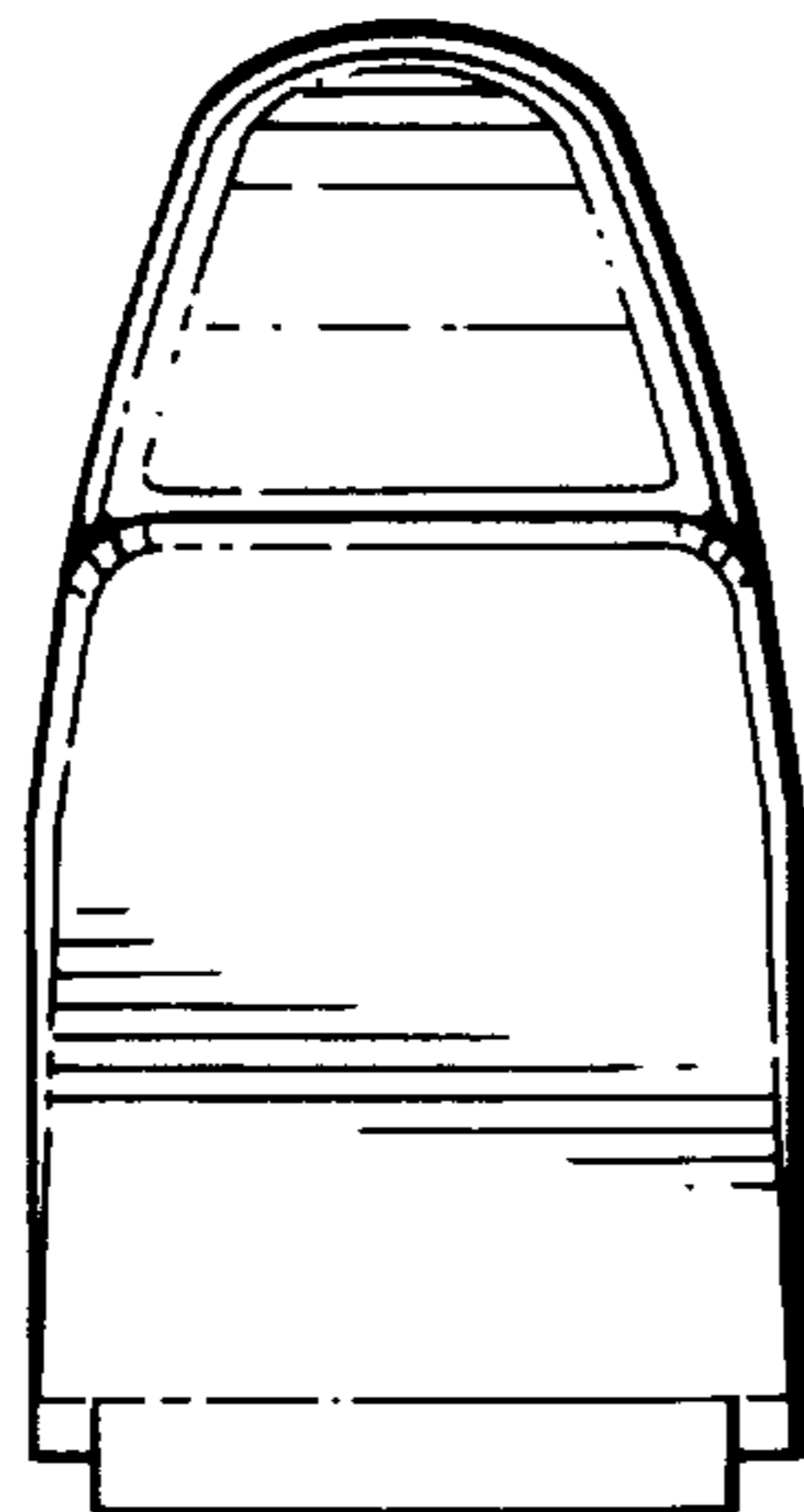


FIG. 8

