



US00D433125S

United States Patent [19]

[11] Patent Number: Des. 433,125

Bono

[45] Date of Patent: ** Oct. 31, 2000

[54] SHIELD FOR AN AEROSOL DISPENSING DEVICE

[76] Inventor: Michael Bono, 882 Black Rd.,
Collegeville, Pa. 19426

[**] Term: 14 Years

[21] Appl. No.: 29/105,810

[22] Filed: Jun. 3, 1999

[51] LOC (7) Cl. 29-02

[52] U.S. Cl. D24/110

[58] Field of Search D24/110, 158;
128/200.18, 200.14, 200.21, 200.24; 250/506.1,
515.1

[56] **References Cited**

U.S. PATENT DOCUMENTS

D. 411,616	6/1999	Retallick, III	D24/110
4,119,096	10/1978	Drews	128/198
4,510,929	4/1985	Bordoni et al.	128/200.14
4,598,704	7/1986	Bordoni et al.	128/200.14
4,703,753	11/1987	Bordoni et al.	128/200.14
4,880,989	11/1989	Burnett et al.	250/506.1
4,907,581	3/1990	King	128/200.18
5,036,840	8/1991	Wallace	128/200.21
5,139,016	8/1992	Waser	128/200.16
5,299,565	4/1994	Brown	128/200.21

5,372,126	12/1994	Blau	128/200.14
5,586,550	12/1996	Ivri et al.	128/200.16
5,603,314	2/1997	Bono	128/200.21
5,611,332	3/1997	Bono	128/200.18
5,630,409	5/1997	Bono et al.	128/200.18
5,786,611	7/1998	Quapp et al.	250/515.1
B1 4,598,704	5/1992	Bordoni et al.	128/200.14

Primary Examiner—Ian Simmons
Attorney, Agent, or Firm—Duane Morris & Heckscher LLP

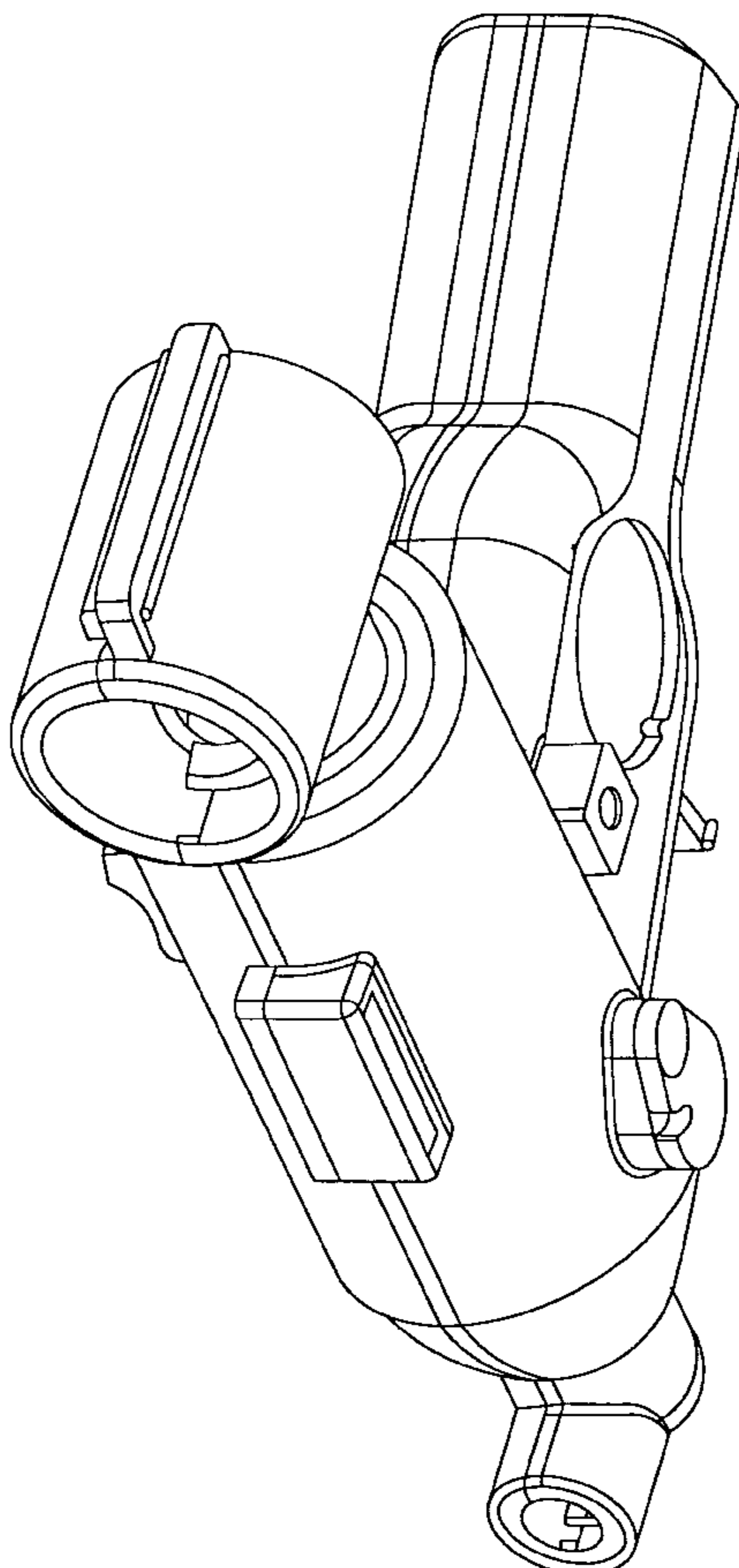
[57] **CLAIM**

The ornamental design for a shield for an aerosol dispensing device, as shown and described.

DESCRIPTION

FIG. 1 is a front elevation view of a shield for an aerosol dispensing device according to the present invention.
 FIG. 2 is a right side elevation view of the shield shown in FIG. 1.
 FIG. 3 is a left side elevation view of the shield shown in FIG. 1.
 FIG. 4 is a rear elevation view of the shield shown in FIG. 1.
 FIG. 5 is a top plan view of the shield shown in FIG. 1.
 FIG. 6 is a bottom plan view of the shield shown in FIG. 1; and,
 FIG. 7 is an isometric view of the shield shown in FIG. 1.

1 Claim, 7 Drawing Sheets



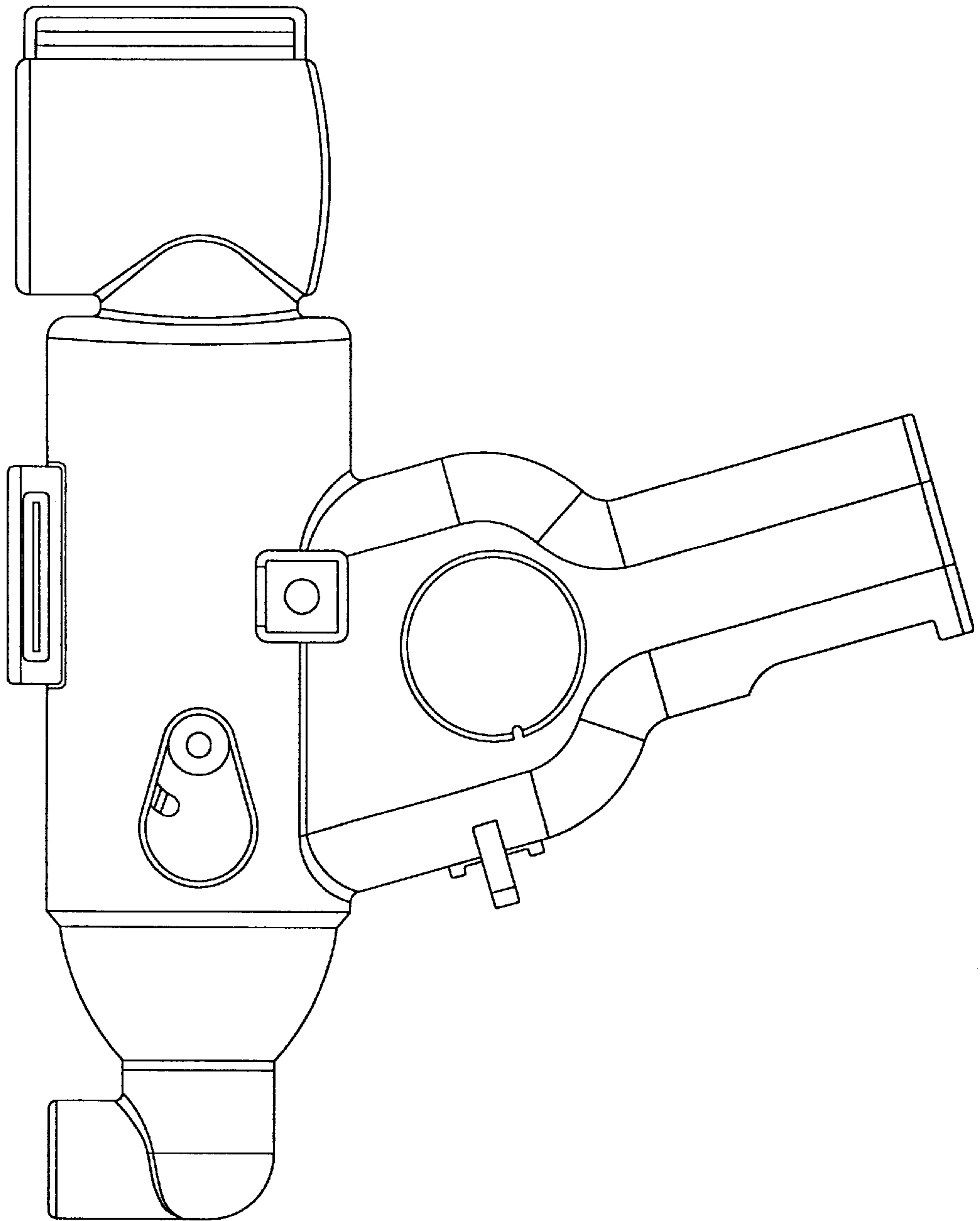


FIG. 1

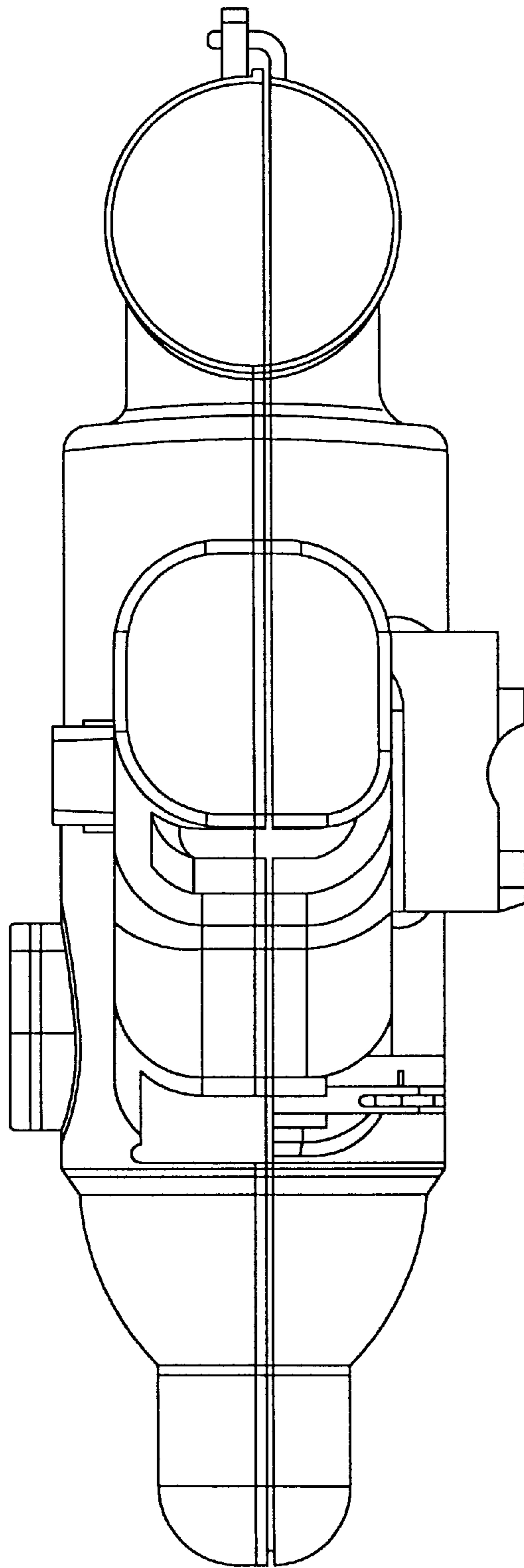


FIG. 2

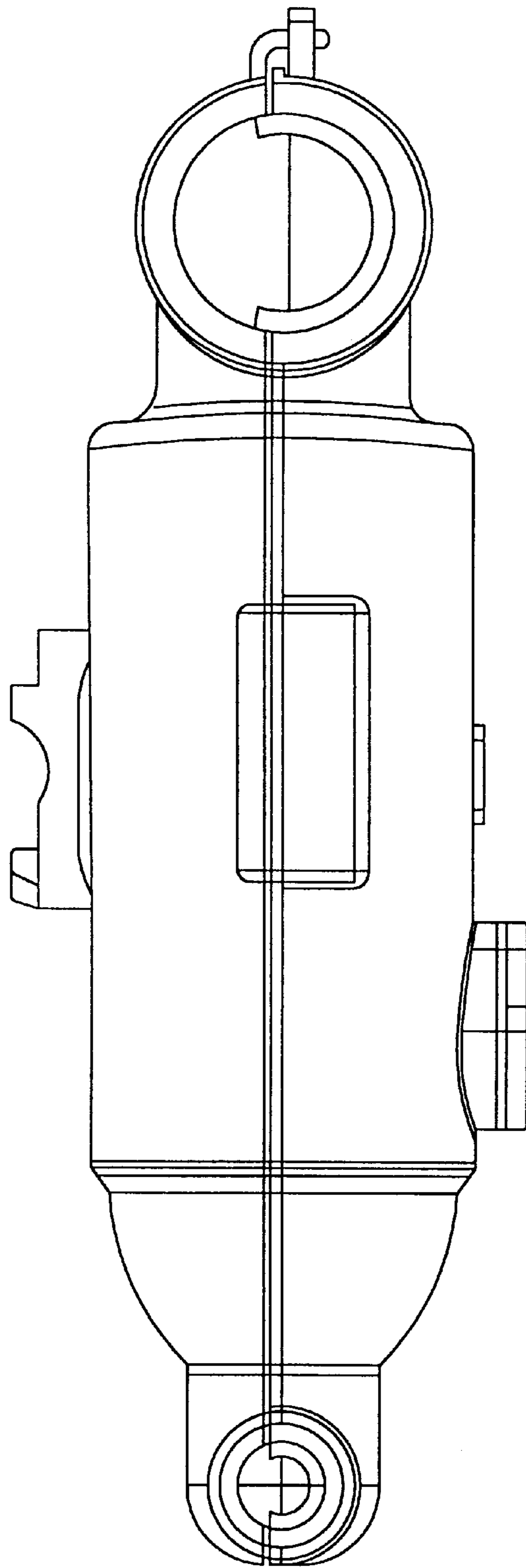


FIG. 3

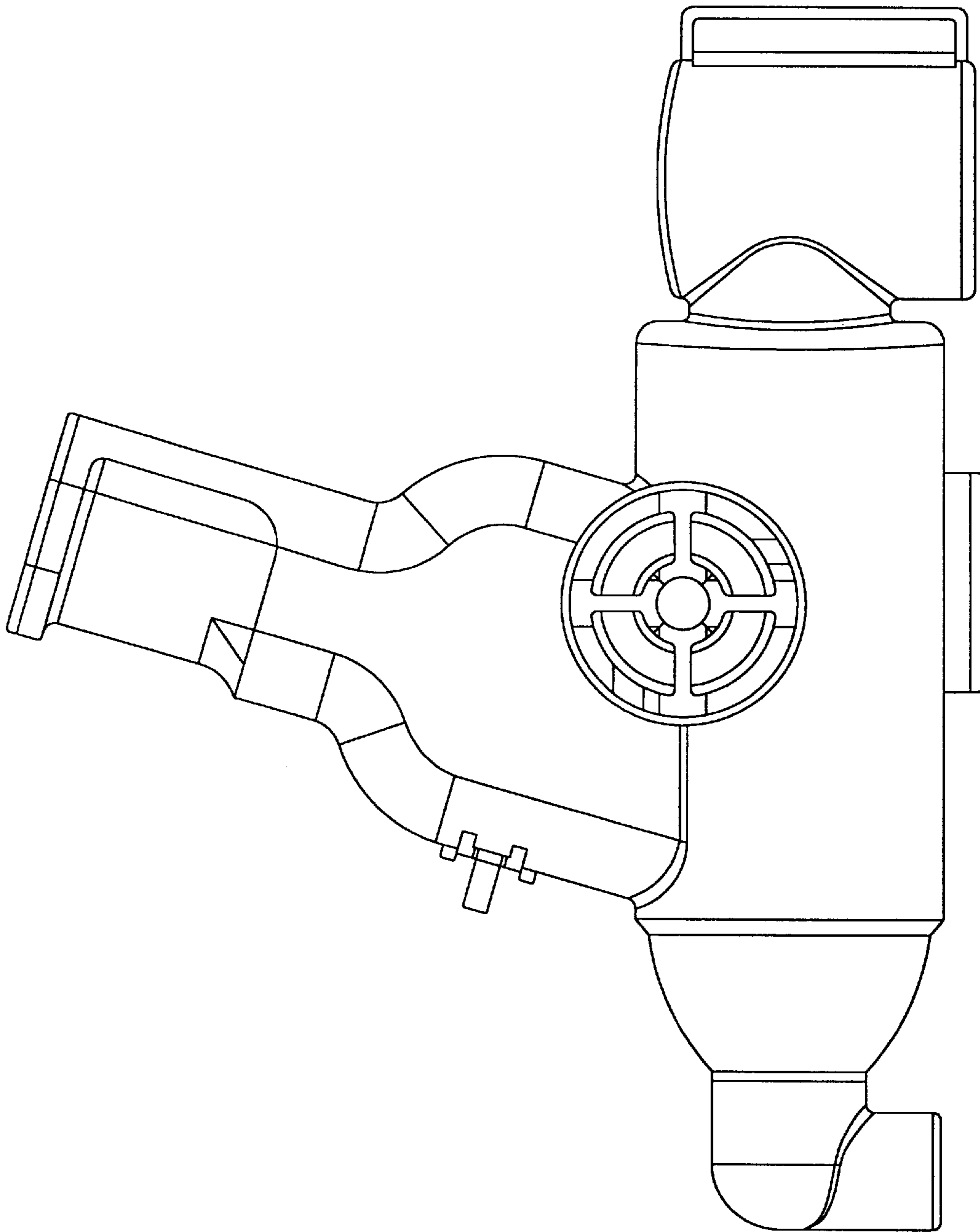


FIG. 4

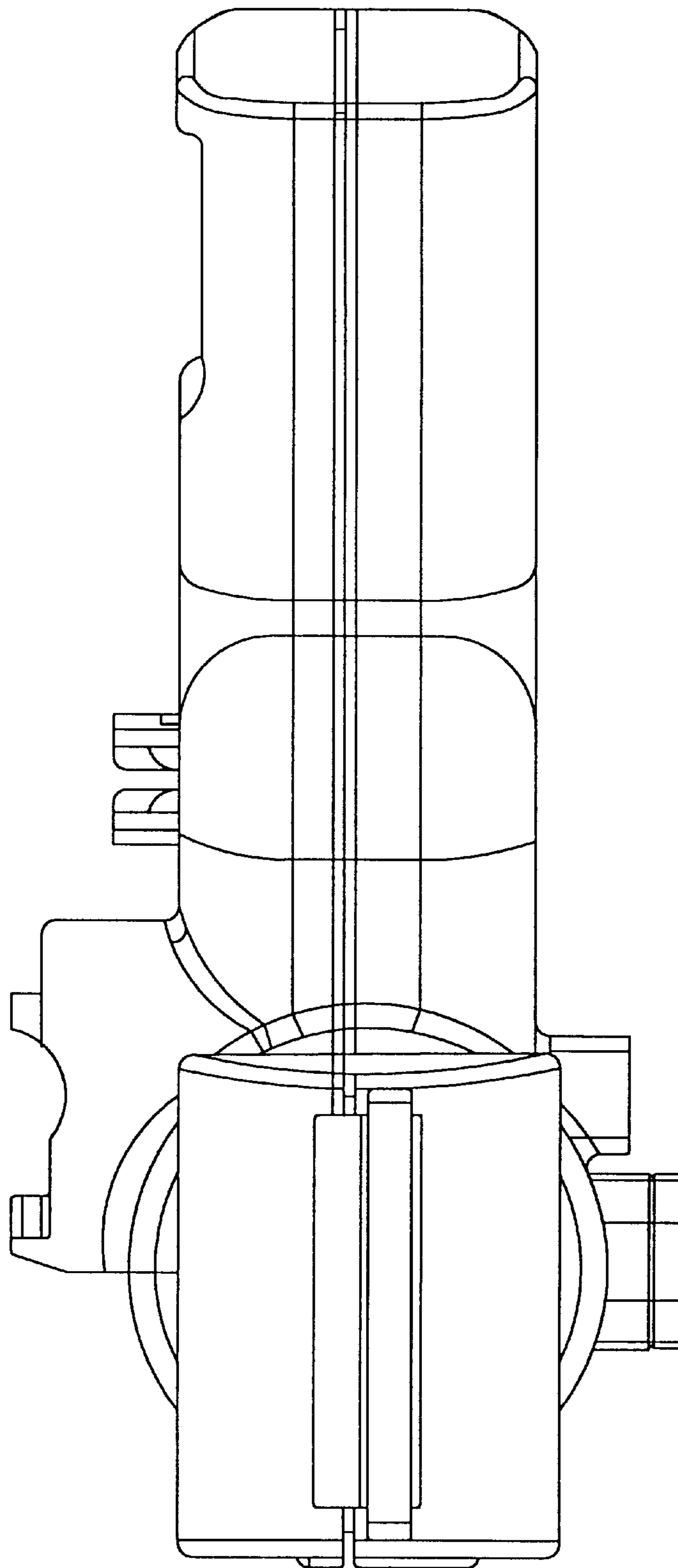


FIG. 5

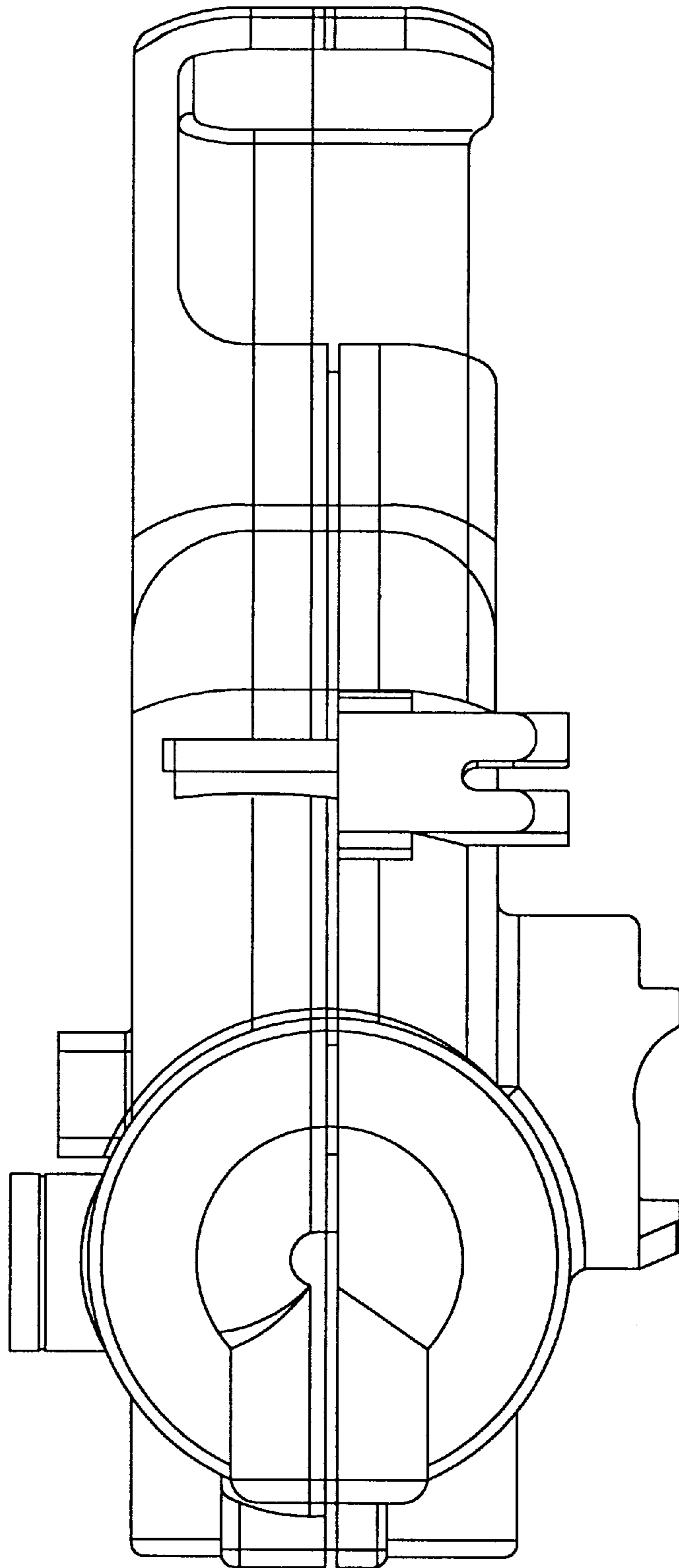


FIG. 6

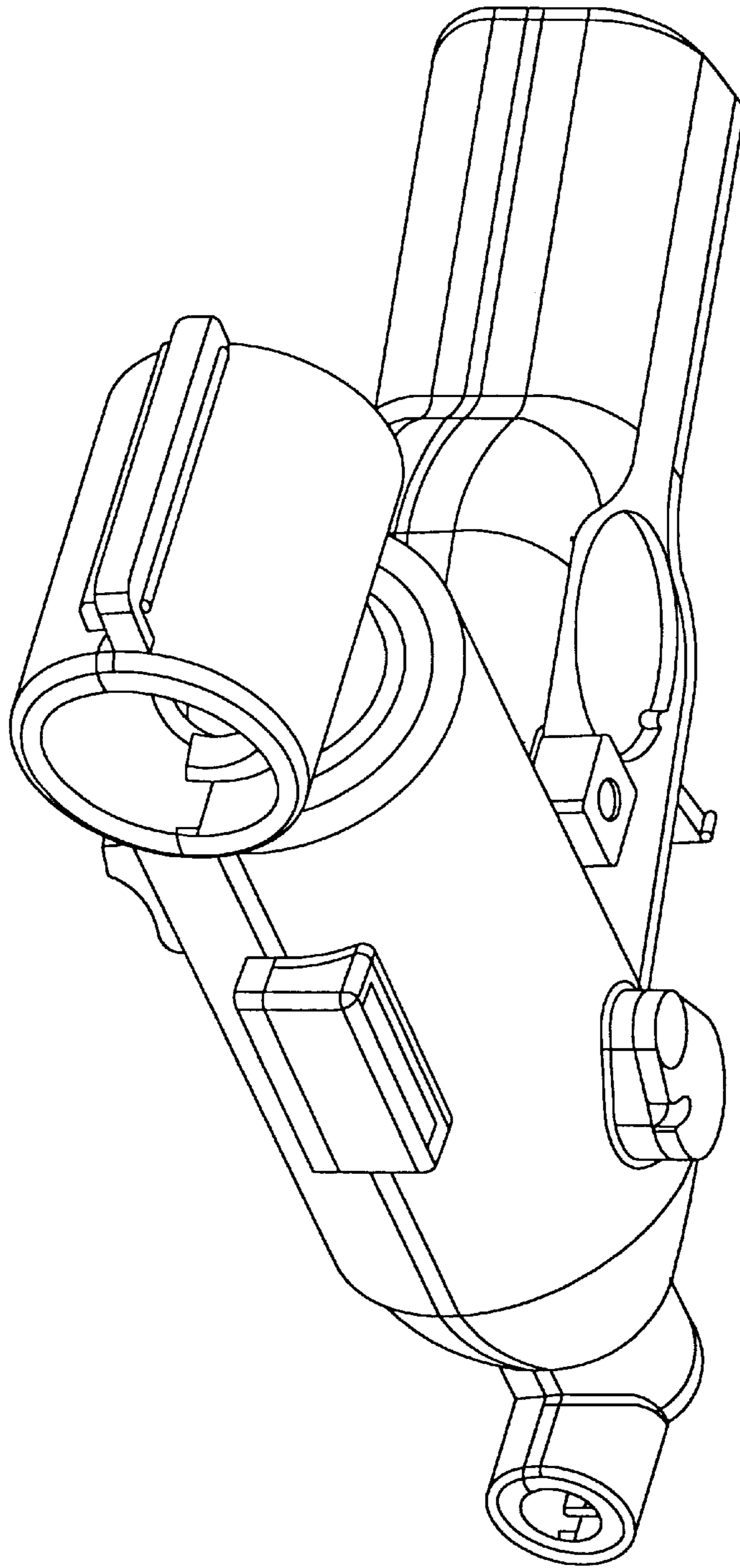


FIG. 7