



US00D433123S

United States Patent [19]
Sheppard et al.

[11] **Patent Number: Des. 433,123**

[45] **Date of Patent: ** Oct. 31, 2000**

[54] **NASAL SPRAY**

D. 365,876 1/1996 Chawla D24/110
D. 401,323 11/1998 Ritsche D24/110
D. 414,261 9/1999 Ritsche D24/110

[75] Inventors: **John Edward Sheppard; Richard John Stevens**, both of Leicester, United Kingdom

Primary Examiner—Ian Simmons
Attorney, Agent, or Firm—Pillsbury Madison & Sutro LLP

[73] Assignee: **Zeneca Limited**, London, United Kingdom

[57] **CLAIM**

[**] Term: **14 Years**

The ornamental design for a nasal spray, as shown and described.

[21] Appl. No.: **29/090,458**

DESCRIPTION

[22] Filed: **Jul. 9, 1998**

[51] **LOC (7) Cl.** **29-02**

[52] **U.S. Cl.** **D24/110**

[58] **Field of Search** D24/110; 128/200.23,
128/203.15, 200.14, 203.18, 203.12, 200.12;
604/220, 210

FIG. 1 is a perspective view from the front, top and right hand side of a nasal spray showing our new design;
FIG. 2 is a top plan view thereof;
FIG. 3 is a bottom plan view thereof;
FIG. 4 is a rear elevational view thereof; and,
FIG. 5 is a right side elevational view thereof, the left side elevational view being identical thereto.

[56] **References Cited**

U.S. PATENT DOCUMENTS

D. 331,106 11/1992 Fuchs D24/110

1 Claim, 2 Drawing Sheets

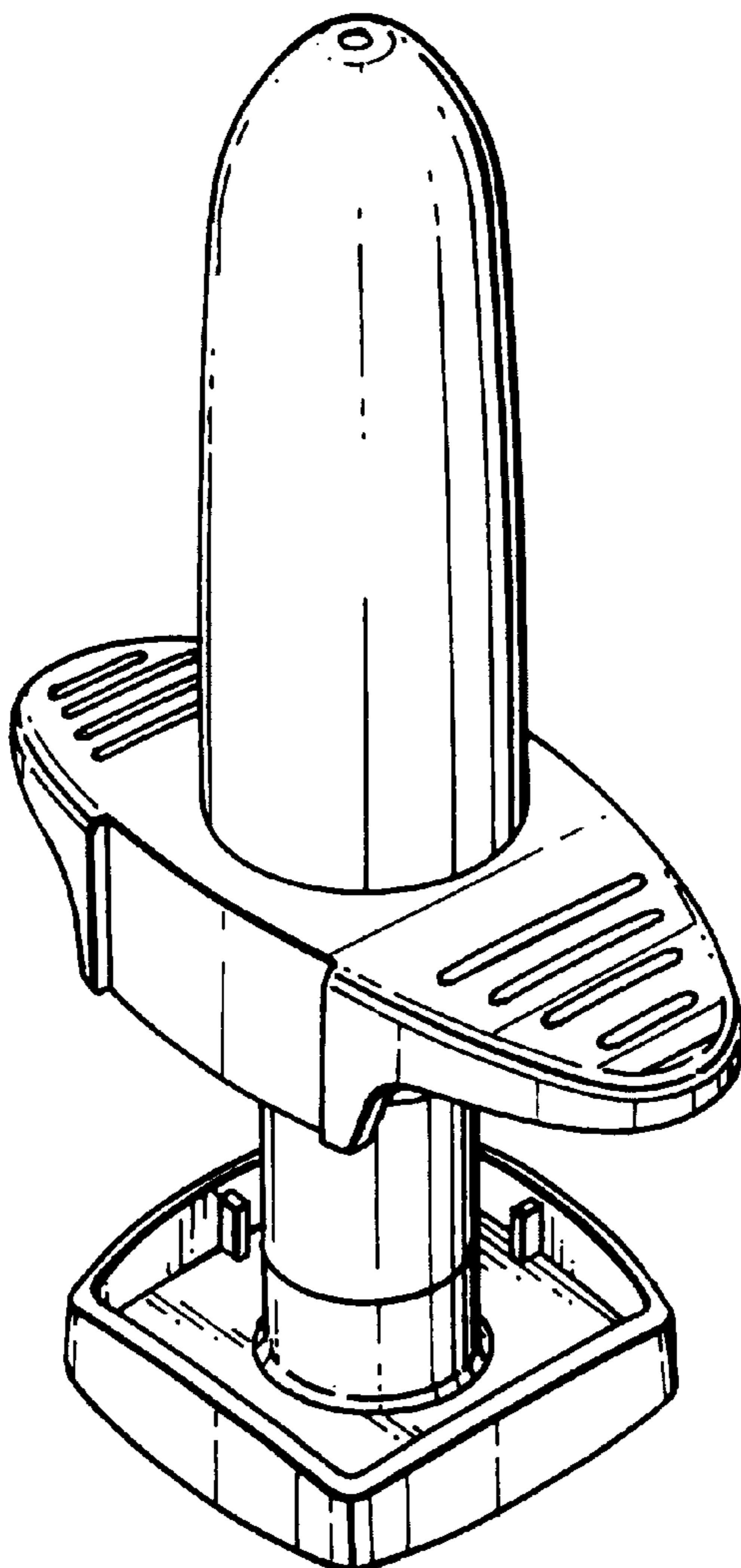


Fig.1.

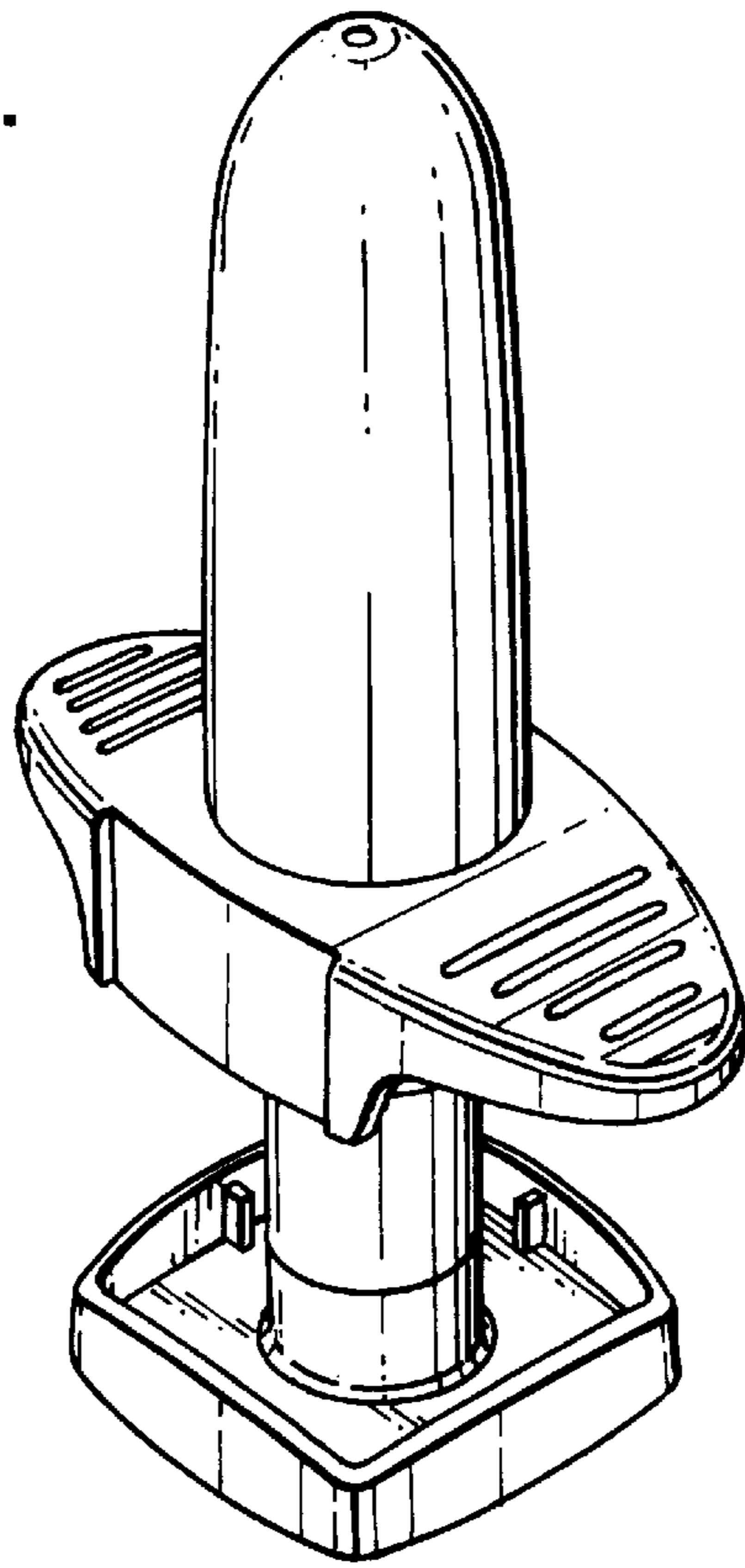


Fig.2.

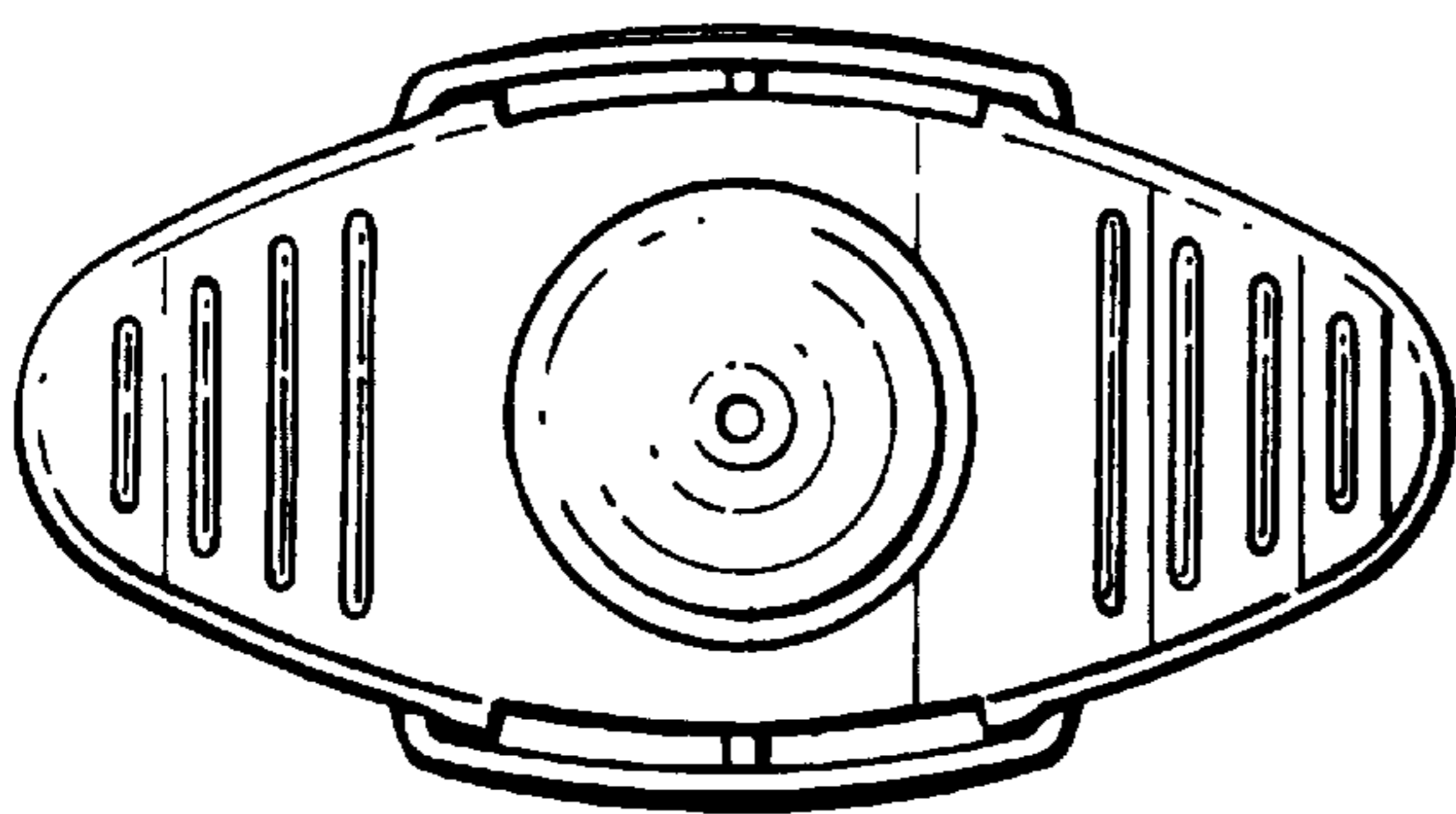


Fig.3.

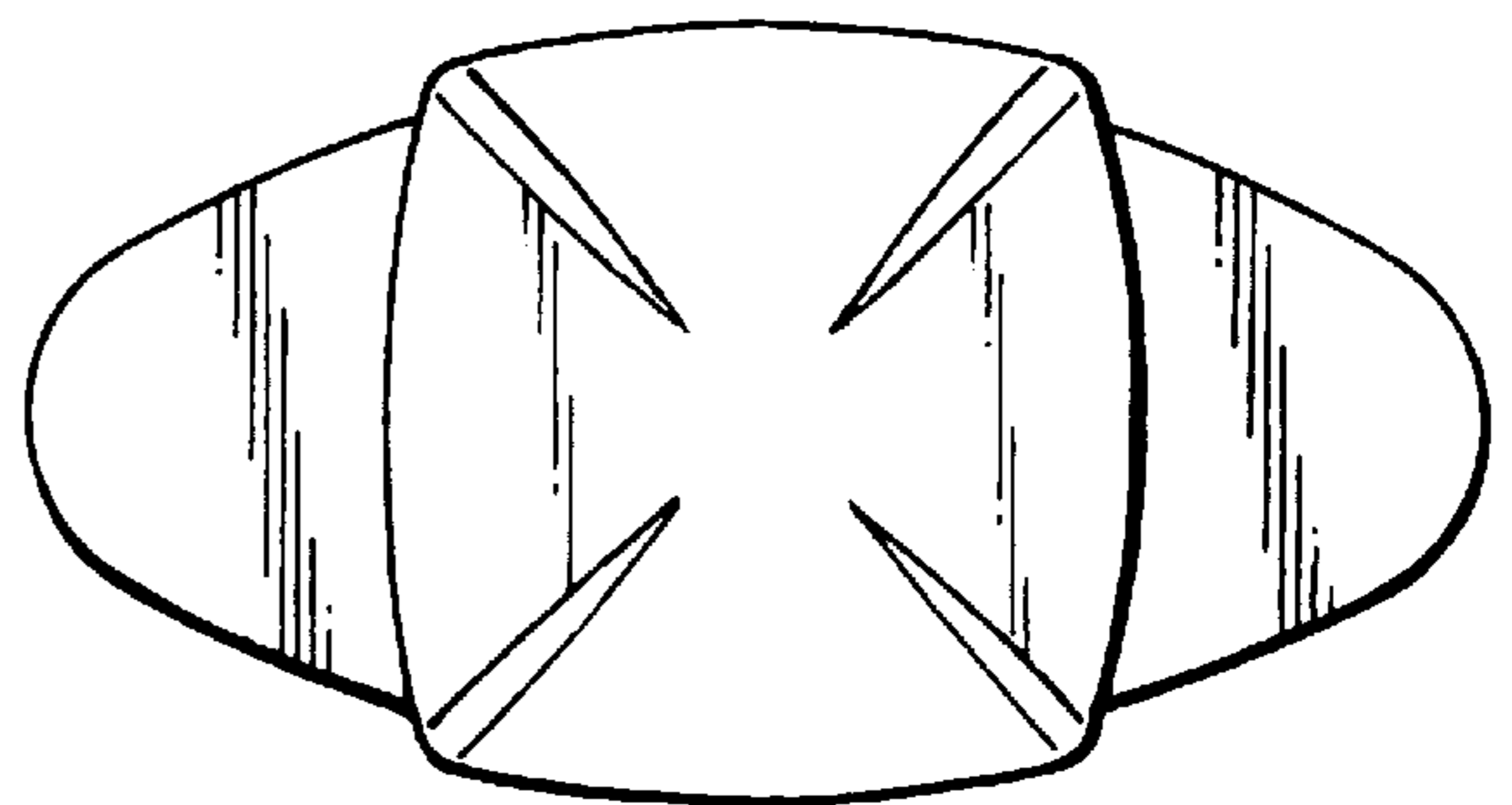


Fig.4.

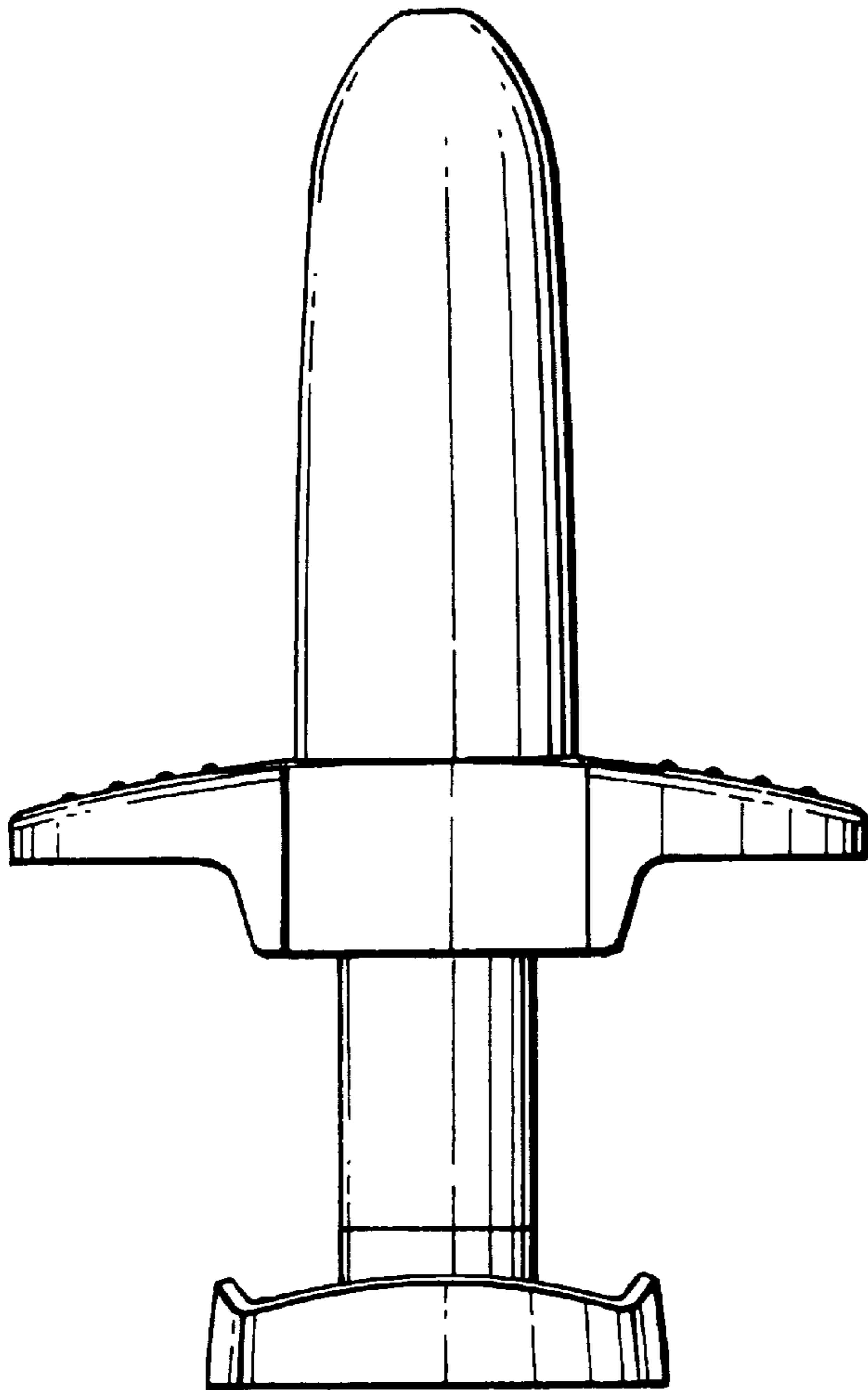


Fig.5.

