



US00D433114S

# United States Patent [19] Liu

[11] **Patent Number: Des. 433,114**

[45] **Date of Patent: \*\* Oct. 31, 2000**

[54] **CEILING FAN**

D. 396,531 7/1998 Lieu ..... D23/377

[76] Inventor: **Ching-Wen Liu**, No. 346, Shui-Yuan Rd., Feng-Yuan City, Taichung Hsien, Taiwan

*Primary Examiner*—Lisa Lichtenstein  
*Attorney, Agent, or Firm*—Charles E. Baxley, Esq.

[\*\*] Term: **14 Years**

[57] **CLAIM**

The ornamental design for a ceiling fan, as shown and described.

[21] Appl. No.: **29/122,196**

[22] Filed: **Apr. 21, 2000**

**DESCRIPTION**

[51] **LOC (7) Cl.** ..... **23-04**

[52] **U.S. Cl.** ..... **D23/377**

[58] **Field of Search** ..... D23/377, 379, D23/385, 411, 413; 416/5

FIG. 1 is a perspective view of a ceiling fan showing my new design;

FIG. 2 is a front elevational view thereof;

FIG. 3 is a rear elevational view thereof;

FIG. 4 is a left side elevational view thereof;

FIG. 5 is a right side elevational view thereof;

FIG. 6 is a top plan view thereof; and,

FIG. 7 is a bottom plan view thereof.

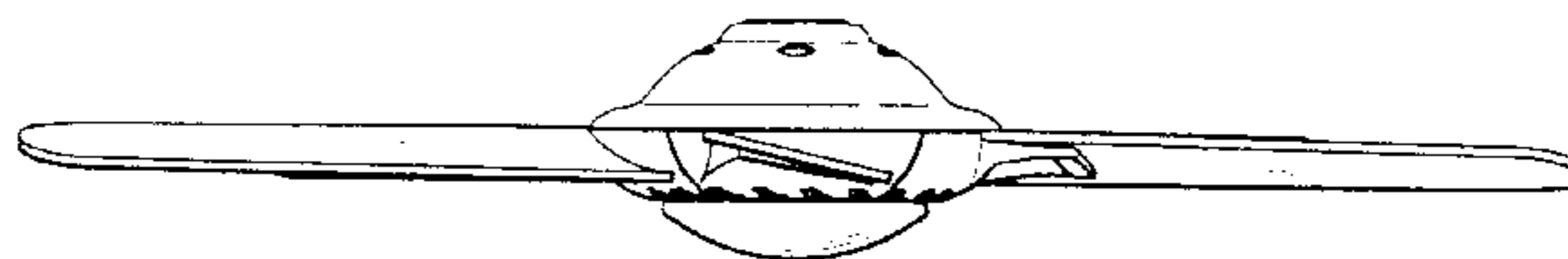
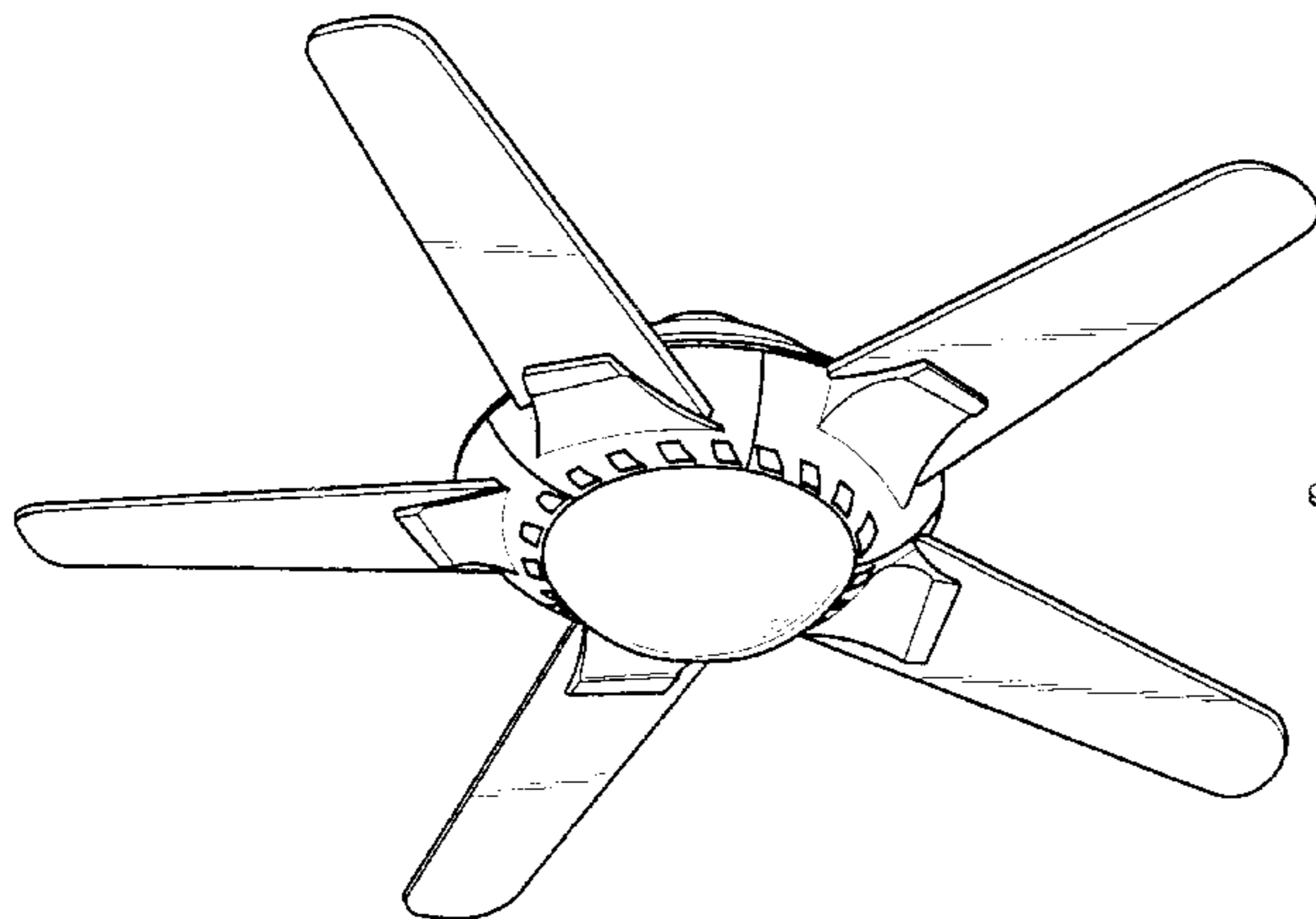
[56] **References Cited**

**U.S. PATENT DOCUMENTS**

D. 355,027 1/1995 Young ..... D23/377

D. 382,636 8/1997 Yang ..... D23/377

**1 Claim, 5 Drawing Sheets**



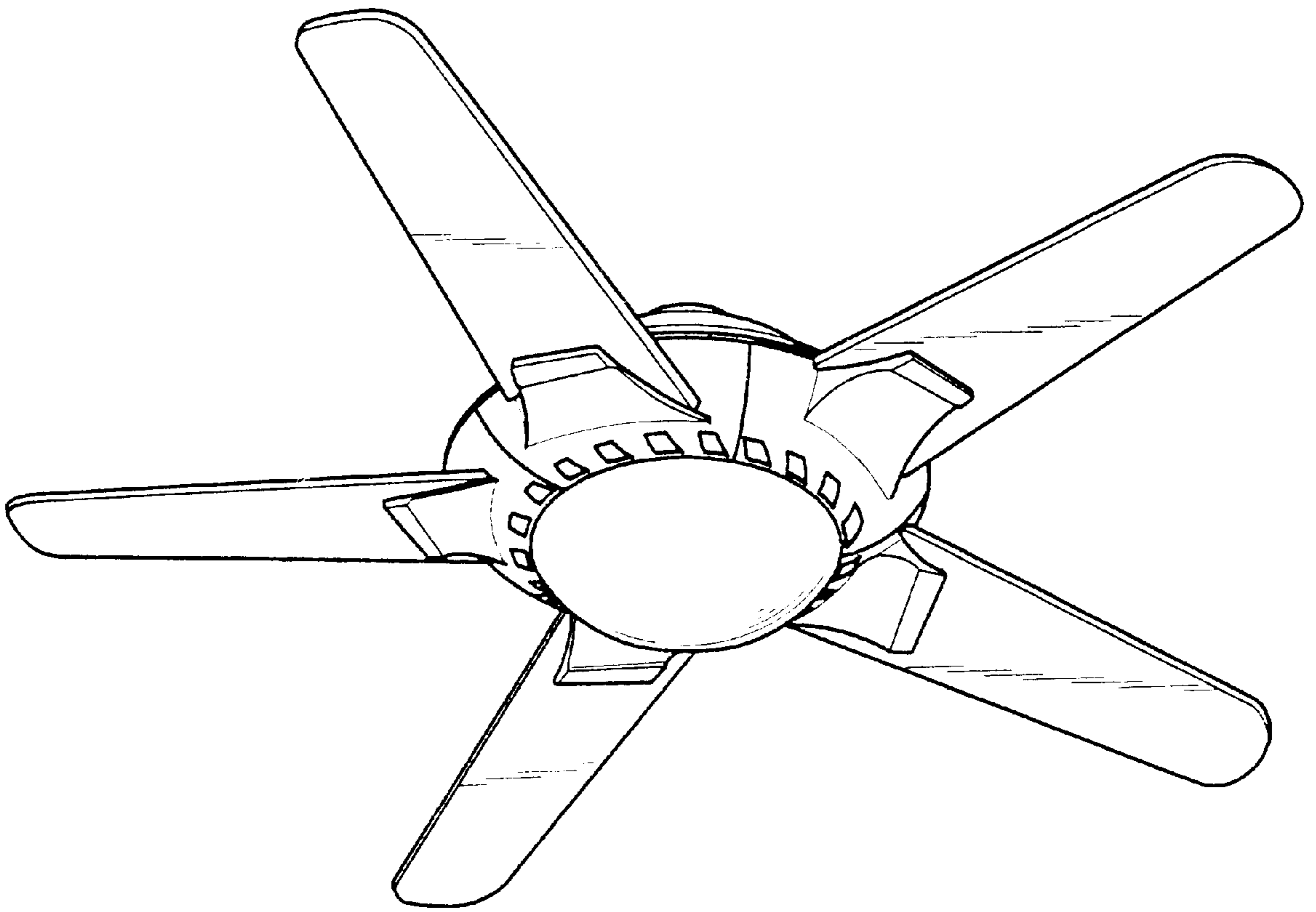


FIG. 1

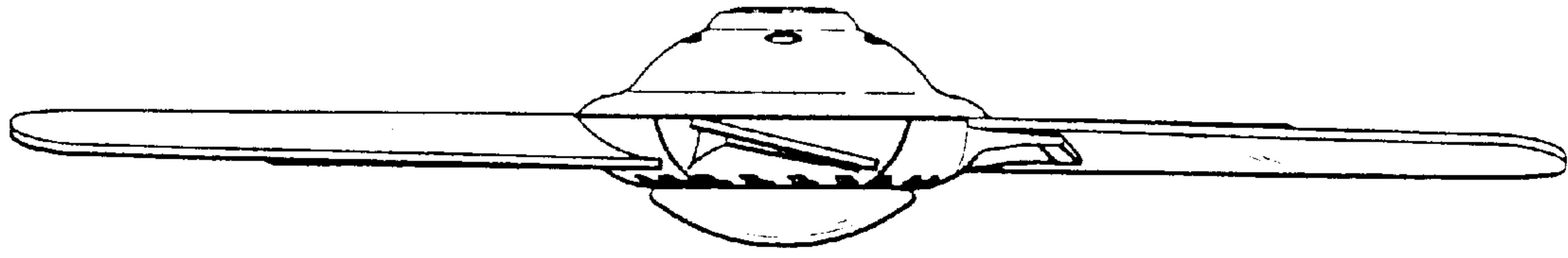


FIG. 2

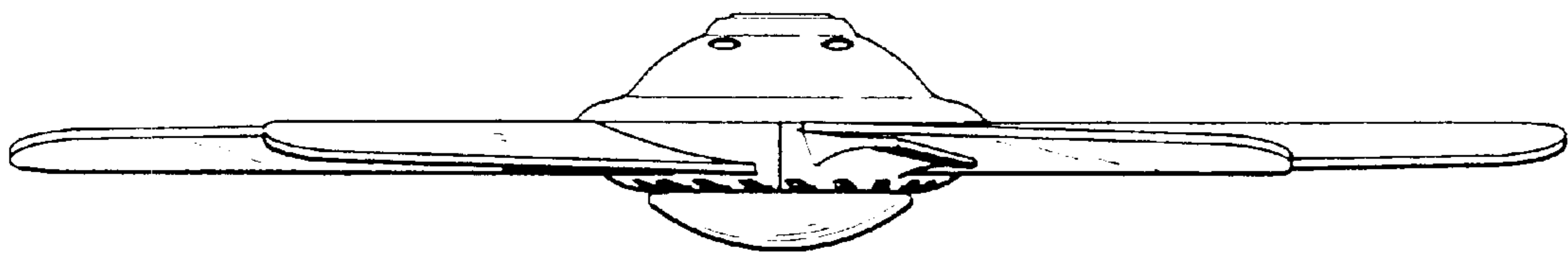


FIG. 3

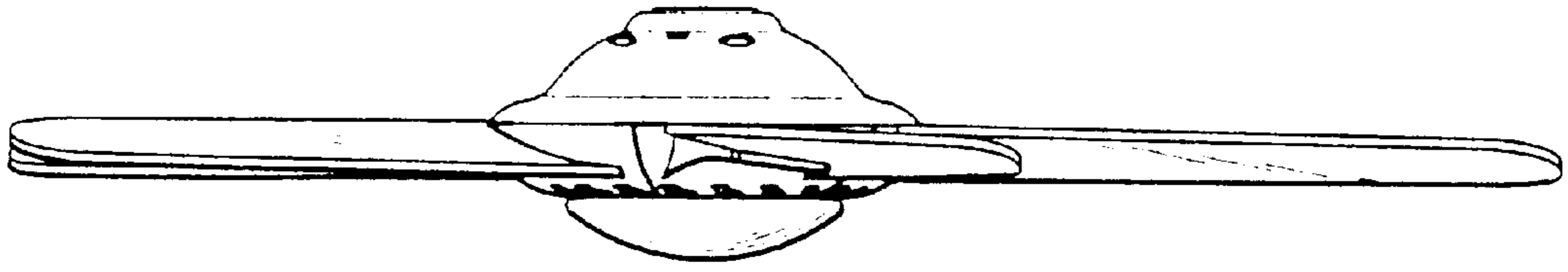


FIG. 4

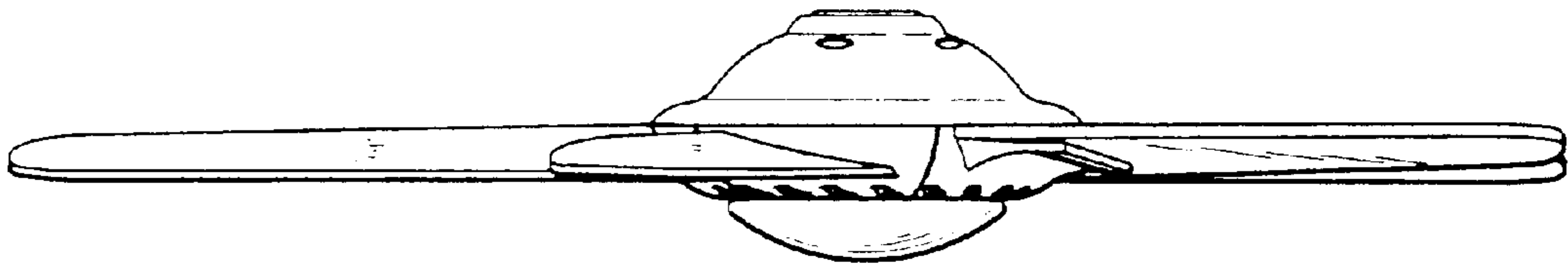


FIG. 5

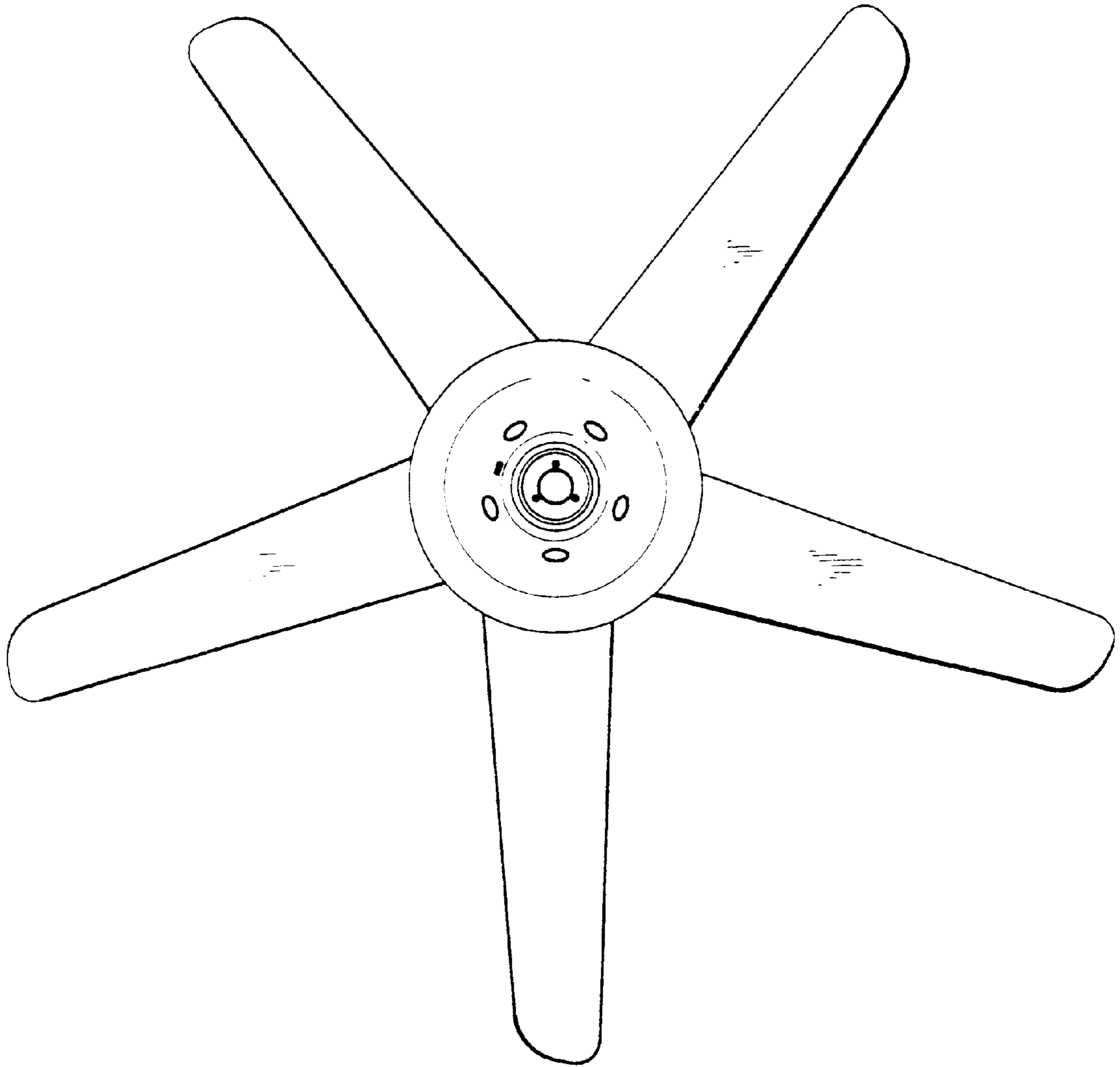


FIG. 6

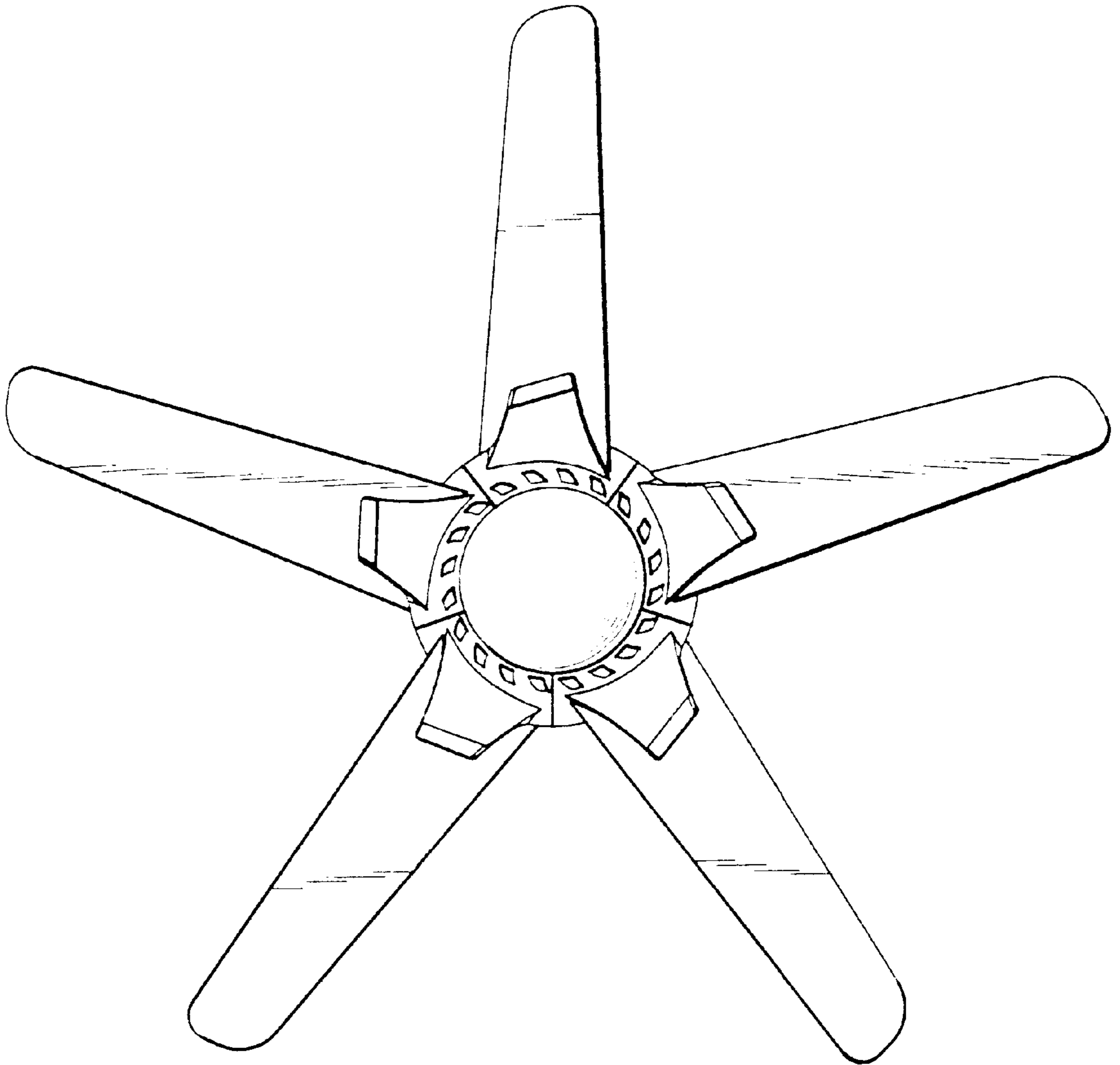


FIG. 7