



US00D433111S

United States Patent [19] Wright

[11] Patent Number: **Des. 433,111**

[45] Date of Patent: **** Oct. 31, 2000**

[54] **EVAPORATIVE AIR COOLER**

[75] Inventor: **Peter Sydney Wright**, Blackwood,
Australia

[73] Assignee: **F F Seeley Nominees Pty. Ltd.**,
Australia

[**] Term: **14 Years**

[21] Appl. No.: **29/098,807**

[22] Filed: **Jan. 6, 1999**

[30] **Foreign Application Priority Data**

Jul. 6, 1998 [AU] Australia 1949/98

[51] **LOC (7) Cl.** **23-04**

[52] **U.S. Cl.** **D23/351**

[58] **Field of Search** D23/351, 352,
D23/333; 62/309; 454/337, 259.4; 312/100,
236; 261/152, DIG. 3

[56] **References Cited**

U.S. PATENT DOCUMENTS

D. 258,757 3/1981 Jordan .

D. 372,525 8/1996 Turcotte D23/351
4,312,819 1/1982 Leyland 261/152
4,361,525 11/1982 Leyland 261/152
4,379,712 4/1983 Sperr, Jr. et al. 261/DIG. 3
4,419,300 12/1983 VanNess et al. 261/DIG. 3

OTHER PUBLICATIONS

brivis Climate Systems brochure, Aug. 1998.
Breezair "Please open" brochure (undated).

Primary Examiner—B. J. Bullock
Attorney, Agent, or Firm—Watts, Hoffmann, Fisher &
Heinke Co LPA

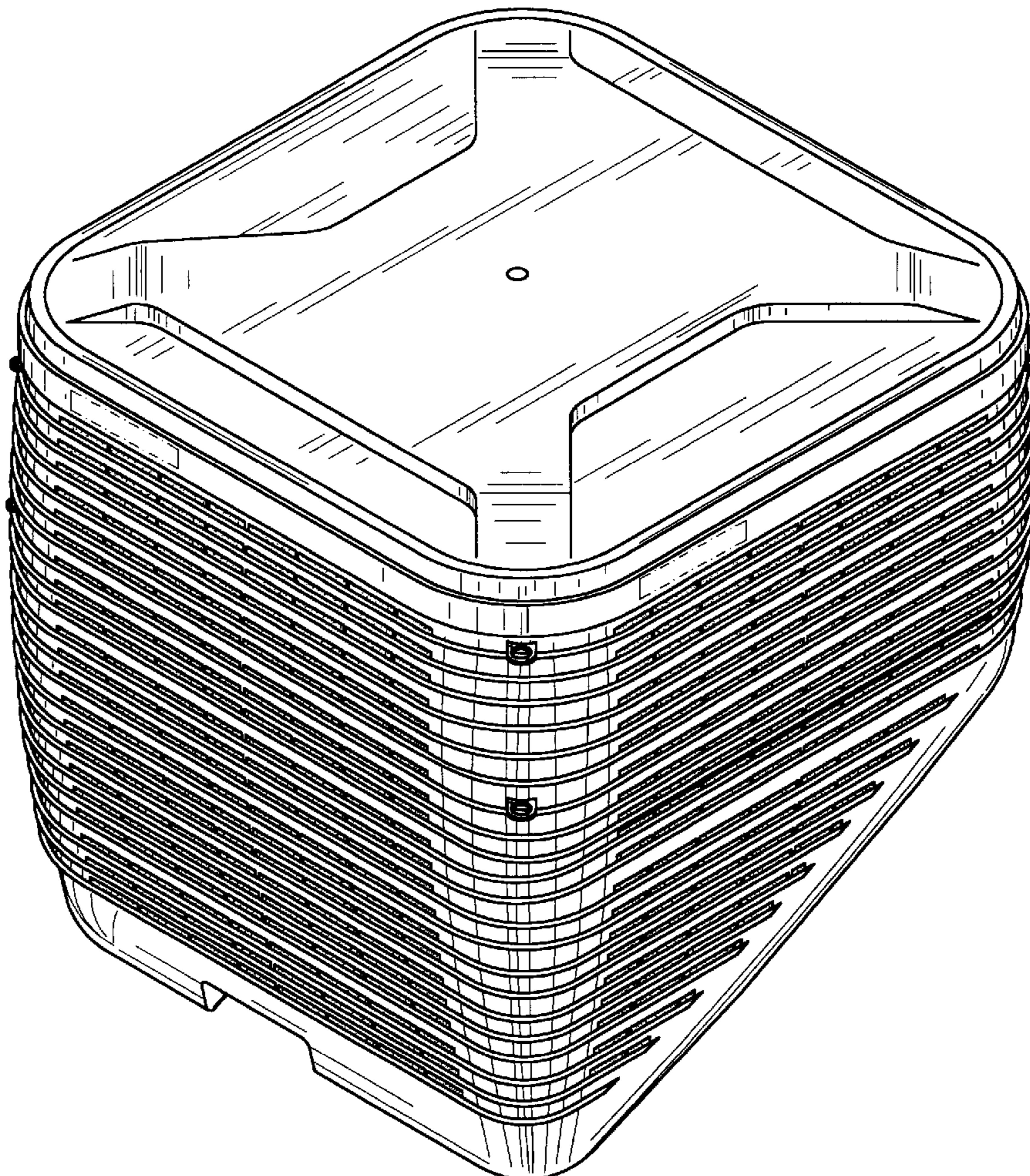
[57] **CLAIM**

The ornamental design for an evaporative air cooler, as shown and described.

DESCRIPTION

FIG. 1 is a side elevational view of the cooler of the left side as viewed from the front;
FIG. 2 is a front elevational view thereof;
FIG. 3 is a rear elevational view thereof;
FIG. 4 is a top view thereof; and,
FIG. 5 is a perspective view thereof.

1 Claim, 3 Drawing Sheets



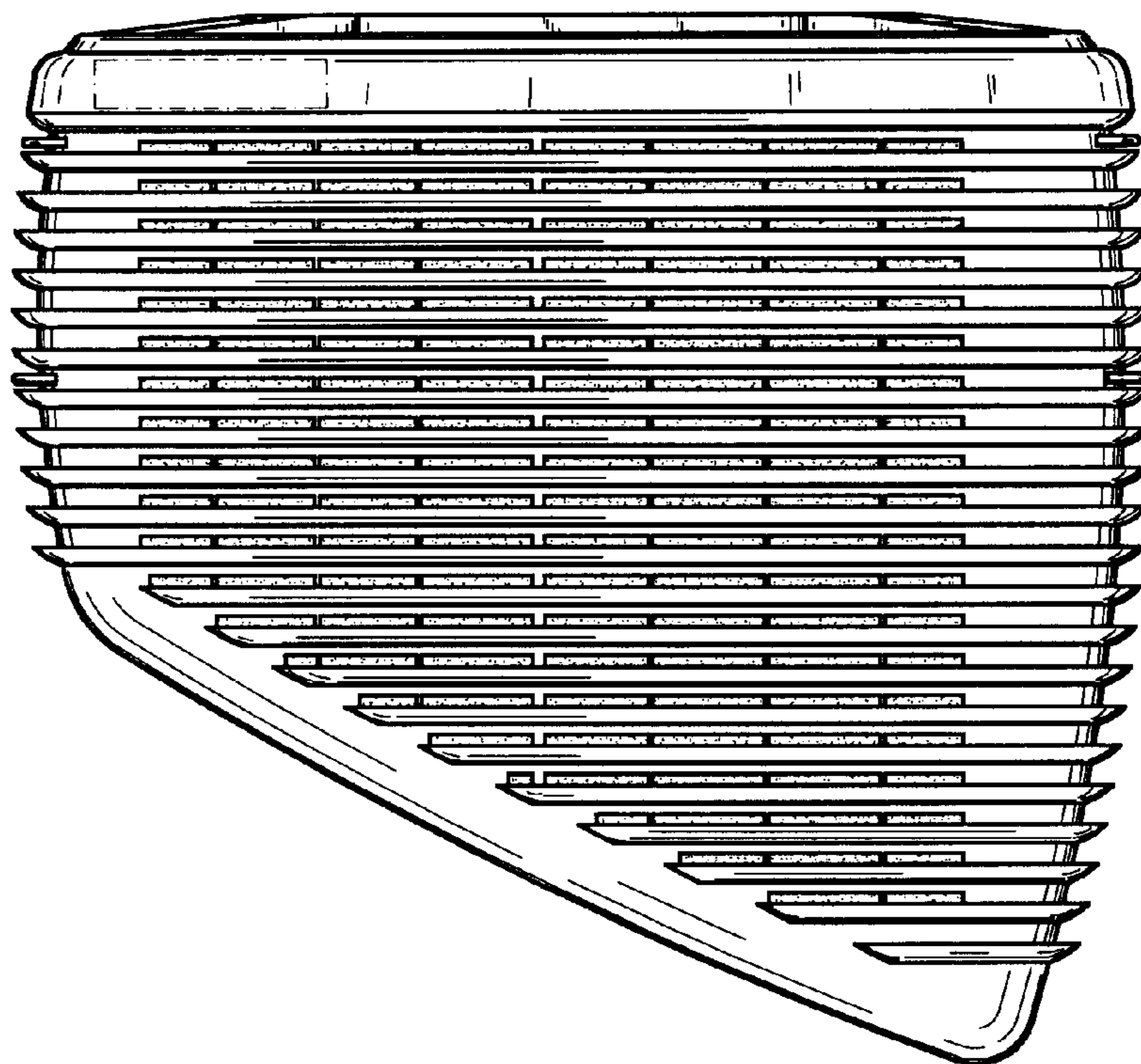


Fig.1

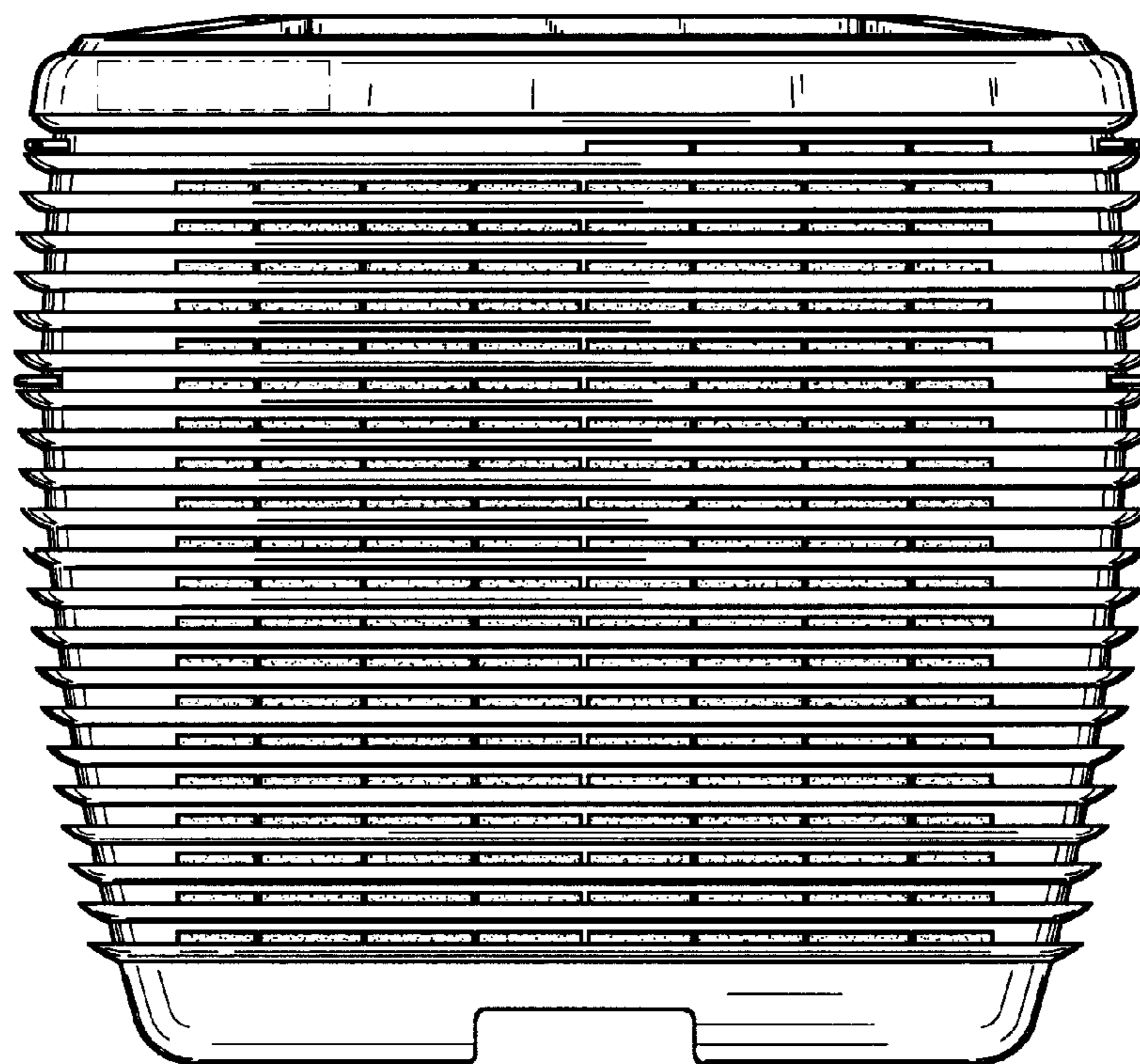


Fig.2

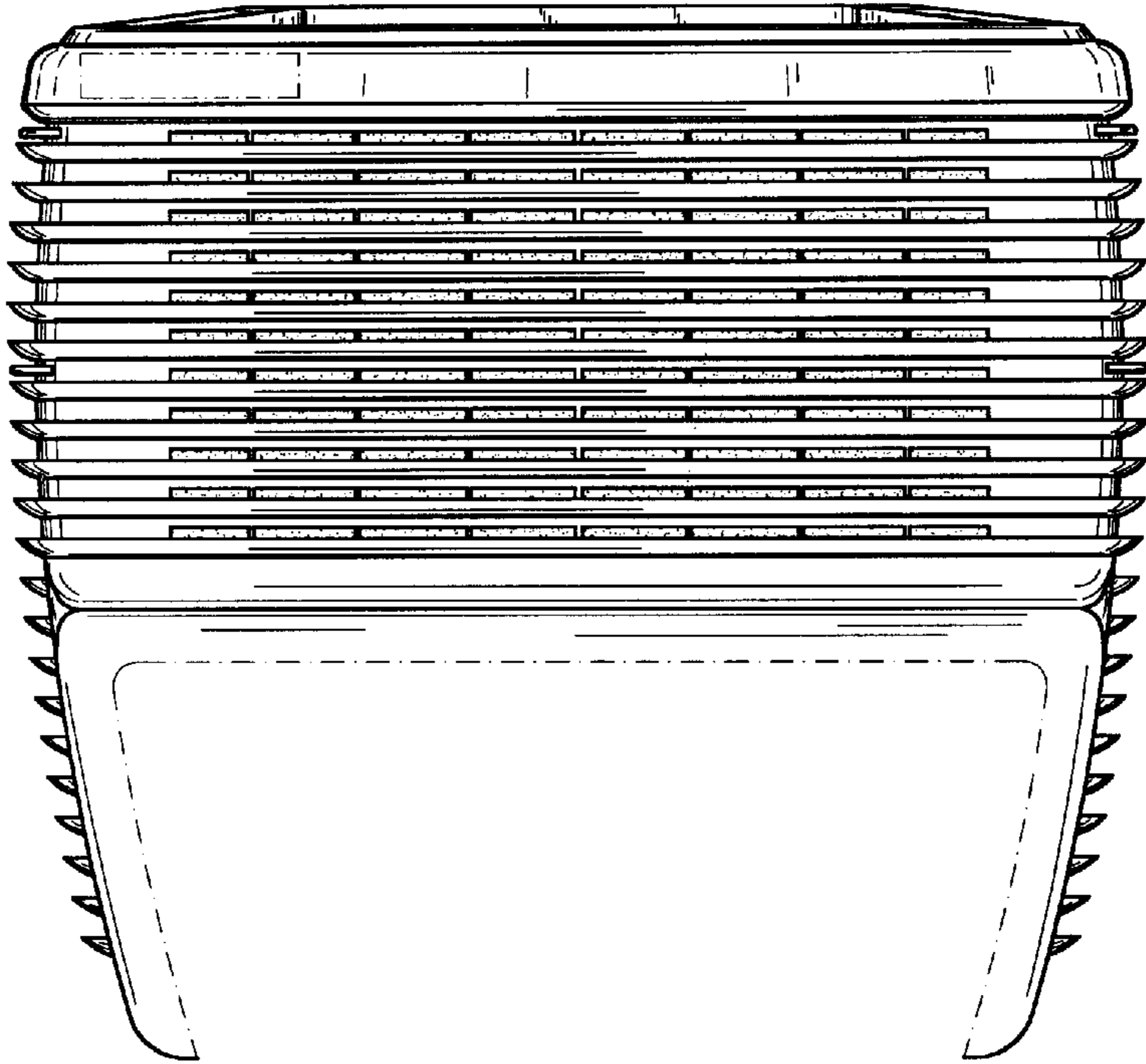


Fig.3

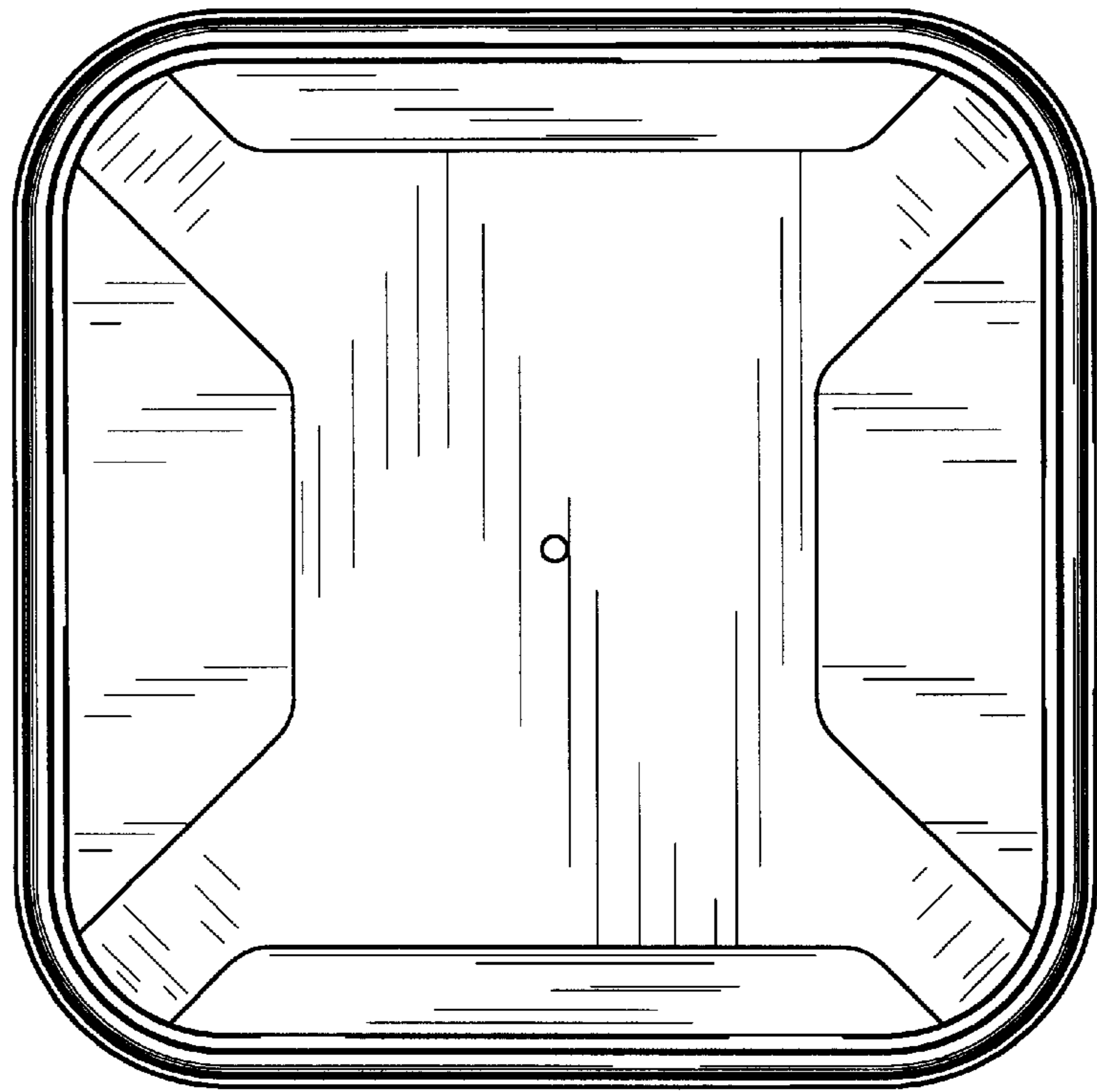


Fig.4

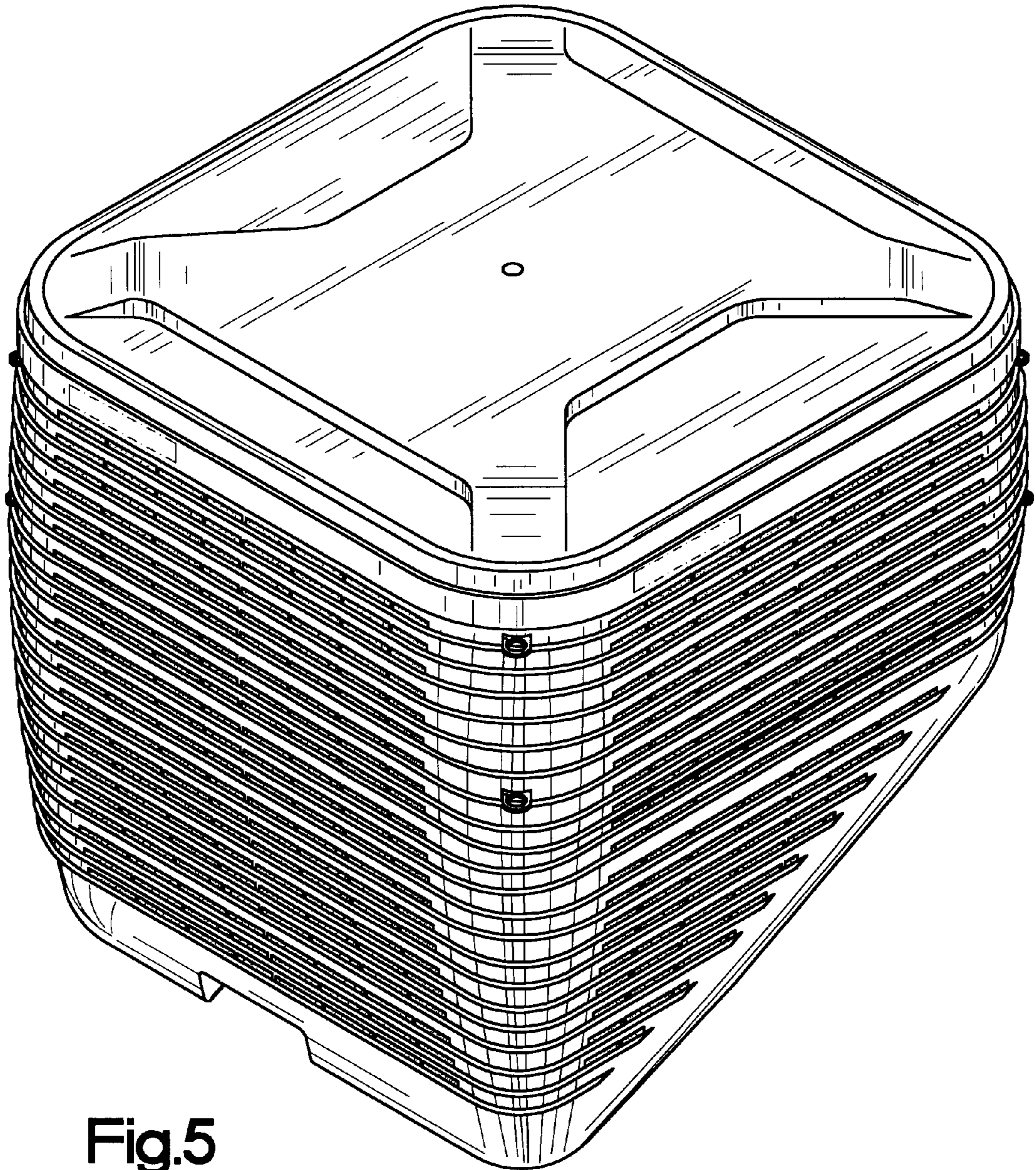


Fig.5