



US00D433104S

United States Patent [19] Spangler

[11] **Patent Number: Des. 433,104**

[45] **Date of Patent: ** Oct. 31, 2000**

[54] **FAUCET HANDLE BLADE**

[75] Inventor: **Anthony G. Spangler**, Greensburg, Ind.

[73] Assignee: **Masco Corporation of Indiana**, Indianapolis, Ind.

[**] Term: **14 Years**

[21] Appl. No.: **29/116,038**

[22] Filed: **Dec. 23, 1999**

[51] **LOC (7) Cl.** **23-01**

[52] **U.S. Cl.** **D23/250**

[58] **Field of Search** D23/238-243,
D23/249, 250-254; D8/308, 321, DIG. 2,
300, 303; 4/675-678; 16/110 R; 137/801

[56] **References Cited**

U.S. PATENT DOCUMENTS

D. 280,008	8/1985	Miller et al.	D23/241
D. 285,106	8/1986	Yost	D23/252
D. 318,717	7/1991	Spangler	D23/252
D. 327,532	6/1992	Ko	D23/252
D. 340,763	10/1993	Bonnell	D23/250
D. 365,384	12/1995	Robbins	D23/252

D. 402,003	12/1998	Milrud et al.	D23/250
D. 404,470	1/1999	Pitsch et al.	D23/252
D. 419,647	1/2000	Warshawsky	D23/252

Primary Examiner—Louis S. Zarfaz
Assistant Examiner—Greg Andoll
Attorney, Agent, or Firm—Myron B. Kapustij; Lloyd D. Doigan

[57] **CLAIM**

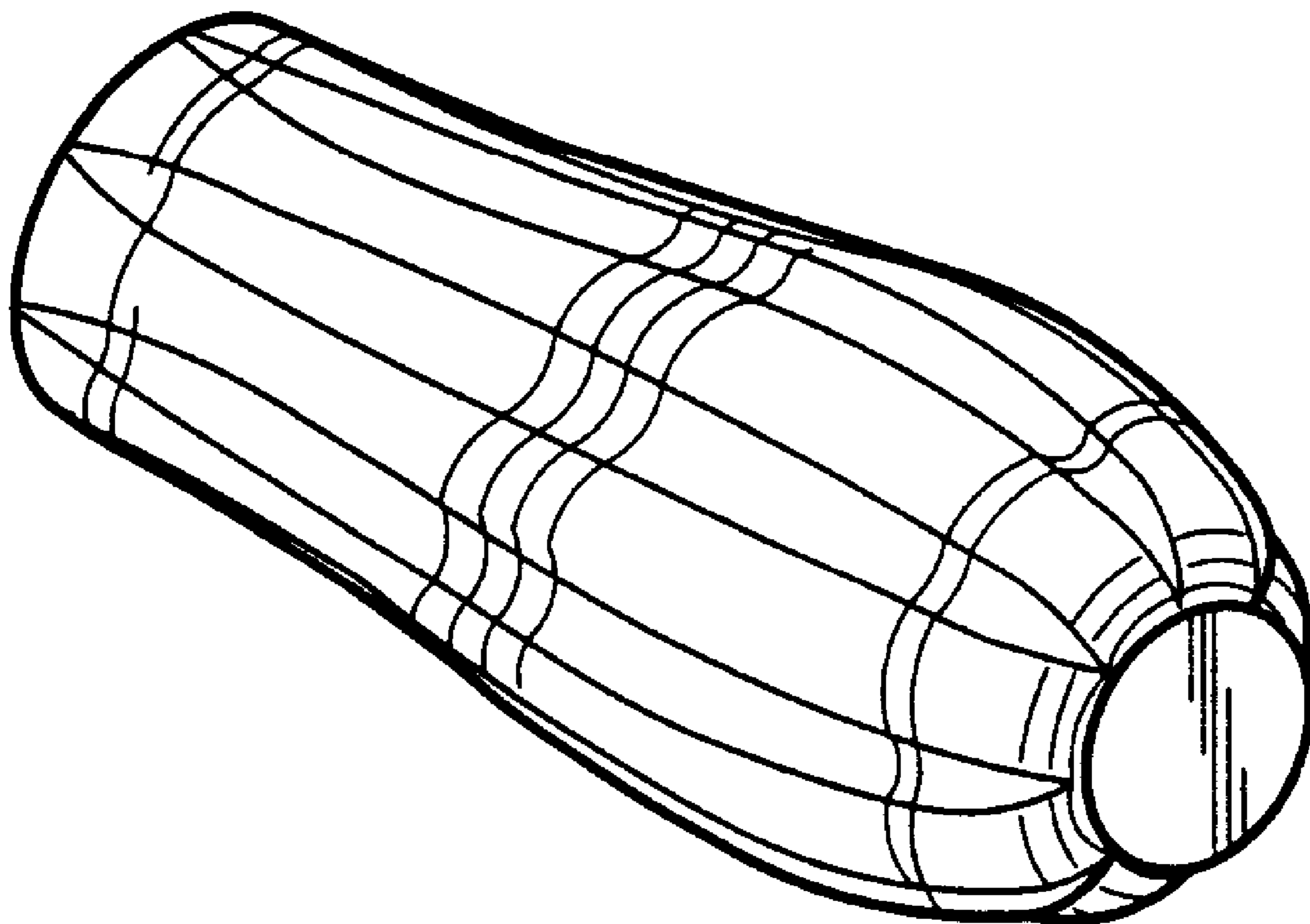
The ornamental design for a faucet handle blade, as shown and described.

DESCRIPTION

FIG. 1 is a perspective view of the faucet handle blade showing my new design;
FIG. 2 is a right side elevational view thereof;
FIG. 3 is a front elevational view thereof, the rear being a mirror image of the front shown; and,
FIG. 4 is a top plan view thereof, the bottom being a mirror image of the top shown.

The broken line showing of a faucet handle base and filial in FIG. 3 are for purposes of illustration only and form no part of the claimed design.

1 Claim, 1 Drawing Sheet



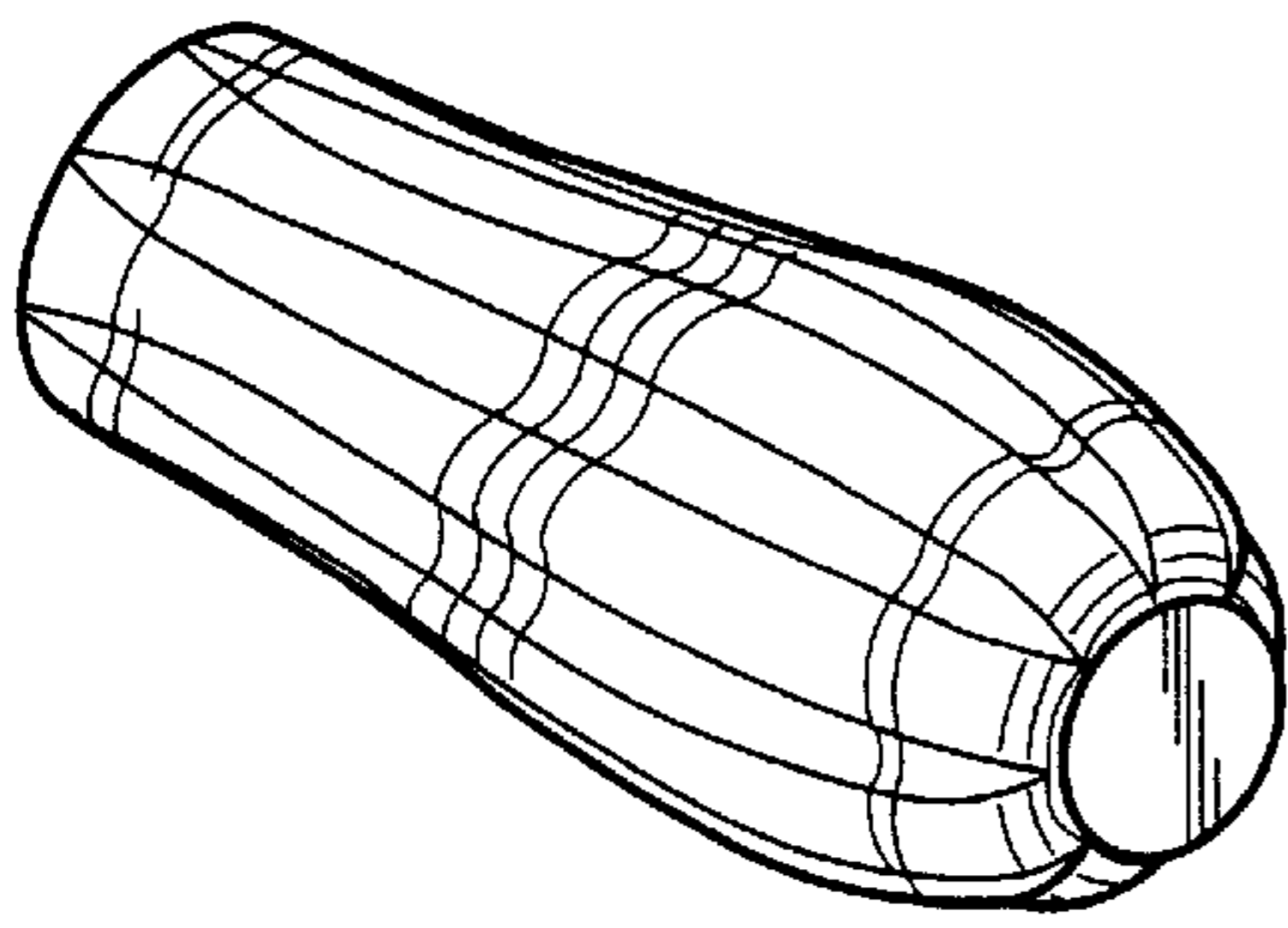


Figure - 1

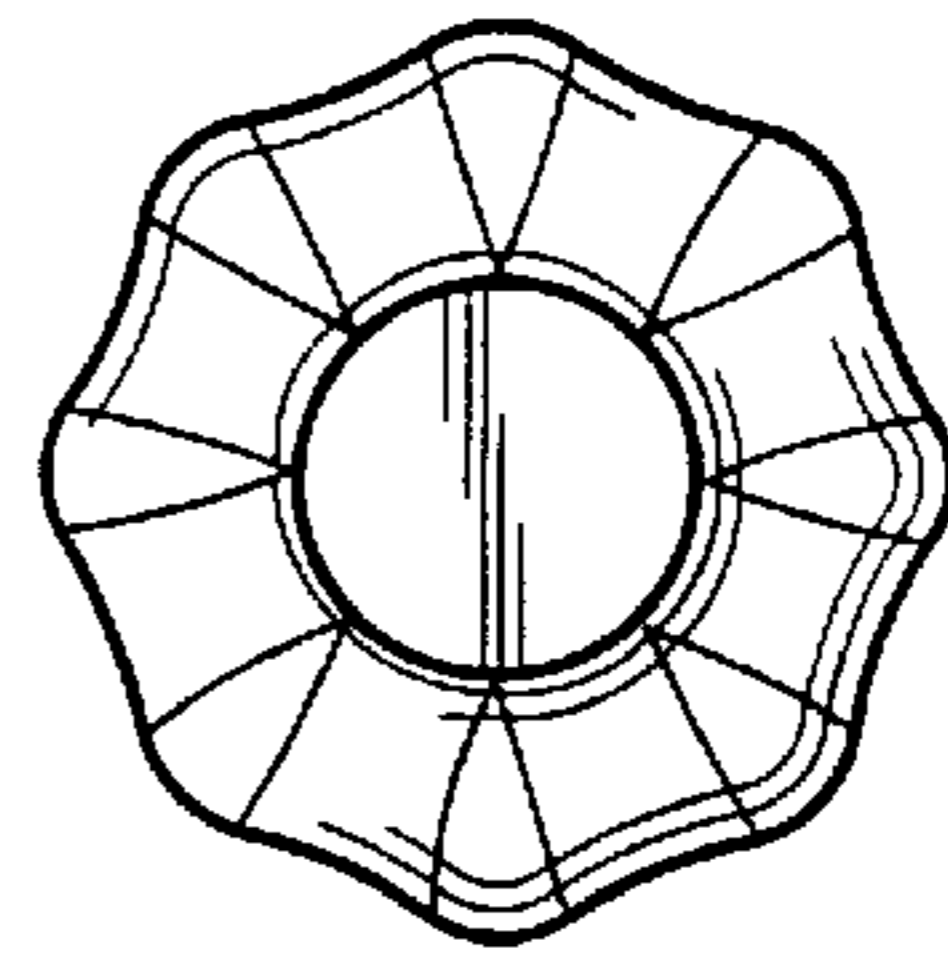


Figure - 2

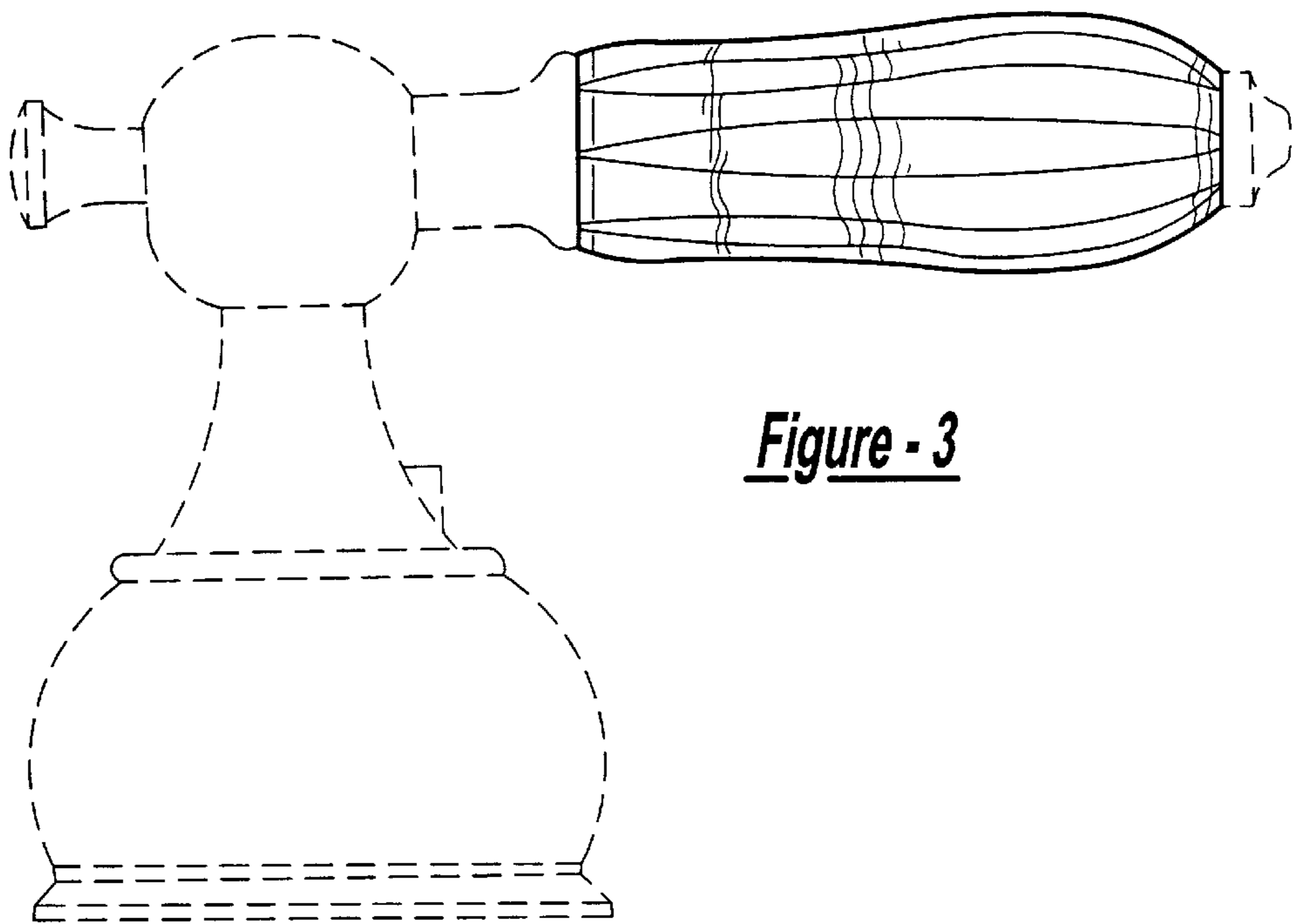


Figure - 3

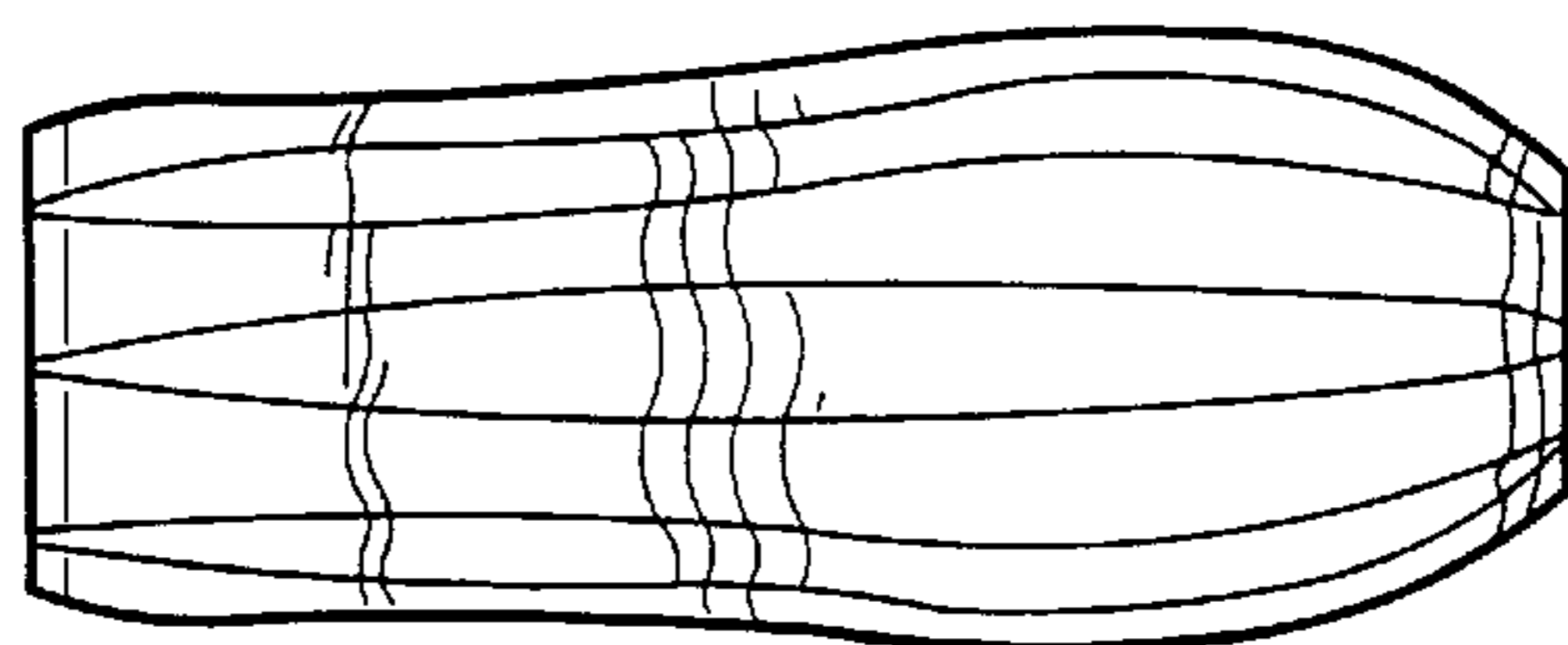


Figure - 4