



US00D433103S

United States Patent [19] Spangler

[11] **Patent Number: Des. 433,103**

[45] **Date of Patent: ** Oct. 31, 2000**

[54] **FAUCET HANDLE**

[75] Inventor: **Anthony G. Spangler**, Greensburg, Ind.

[73] Assignee: **Masco Corporation of Indiana**, Indianapolis, Ind.

[**] Term: **14 Years**

[21] Appl. No.: **29/116,022**

[22] Filed: **Dec. 23, 1999**

[51] **LOC (7) Cl.** **23-01**

[52] **U.S. Cl.** **D23/250; D23/252**

[58] **Field of Search** **D23/238-243, D23/249, 250-254; D8/308, 321, DIG. 2, 300, 303; 4/675-678; 16/110 R; 137/801**

[56] **References Cited**

U.S. PATENT DOCUMENTS

D. 280,008	8/1985	Miller et al.	D23/241
D. 285,106	8/1986	Yost	D23/252
D. 318,717	7/1991	Spangler	D23/252
D. 327,532	6/1992	Ko	D23/252
D. 340,763	10/1993	Bonnell	D23/250
D. 365,384	12/1995	Robbins	D23/252

D. 402,003	12/1998	Milrud et al.	D23/250
D. 404,470	1/1999	Pitsch et al.	D23/252
D. 419,647	1/2000	Warshawsky	D23/252

Primary Examiner—Louis S. Zarfes
Assistant Examiner—G Andoll
Attorney, Agent, or Firm—Myron B. Kapustij; Lloyd D. Doigan

[57] **CLAIM**

The ornamental design for a faucet handle, as shown and described.

DESCRIPTION

FIG. 1 is a perspective view of the faucet handle showing my new design;

FIG. 2 is a right side elevational view thereof;

FIG. 3 is a left side elevational view thereof;

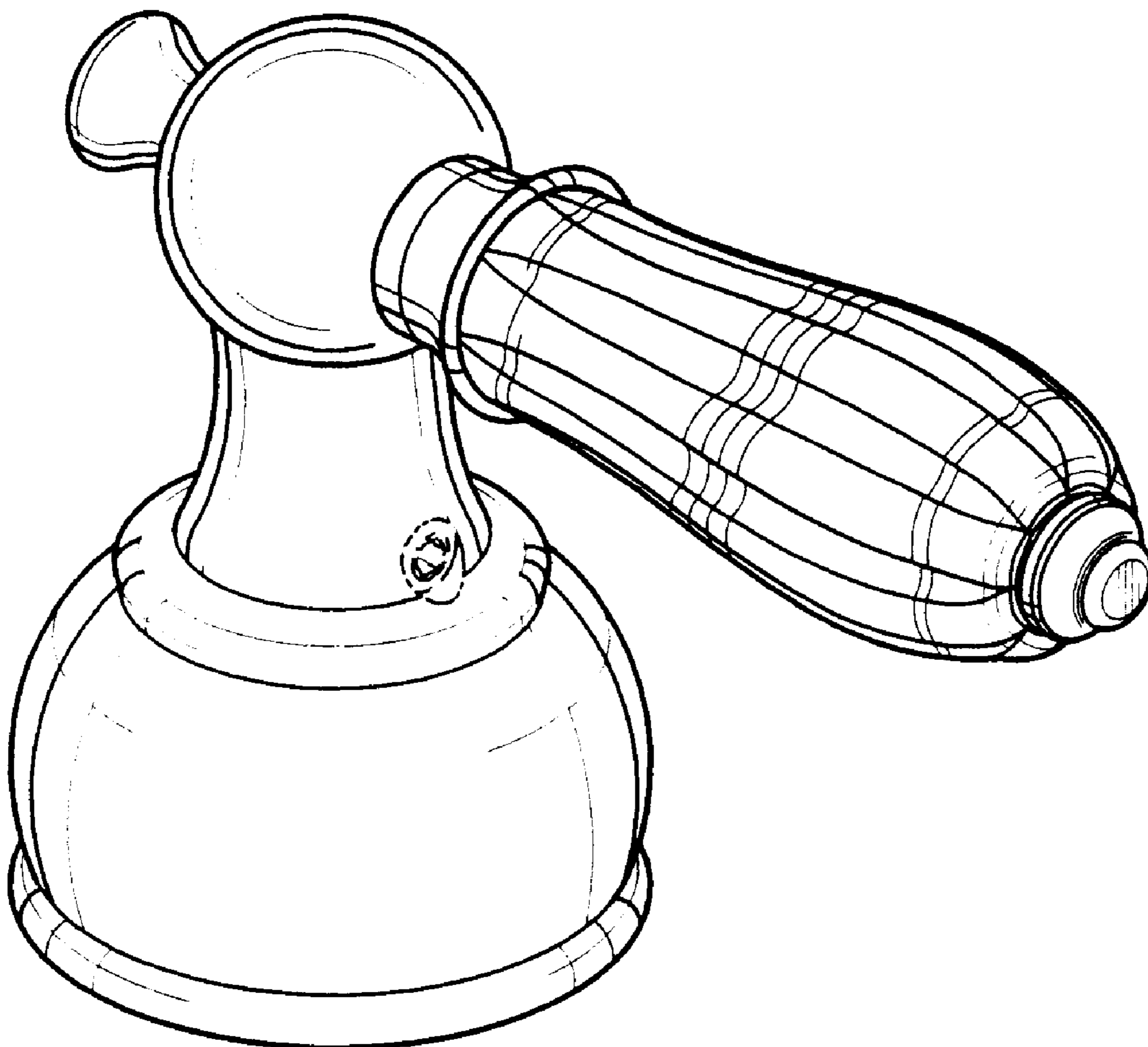
FIG. 4 is a front elevational view thereof, the rear being a mirror image of the front shown;

FIG. 5 is a top plan view thereof; and,

FIG. 6 is a bottom plan view thereof.

The broken line showing of the set screw in FIGS. 1 and 2 and of part of the underside in FIG. 6 are for purposes of illustration only and forms no part of the claimed design.

1 Claim, 2 Drawing Sheets



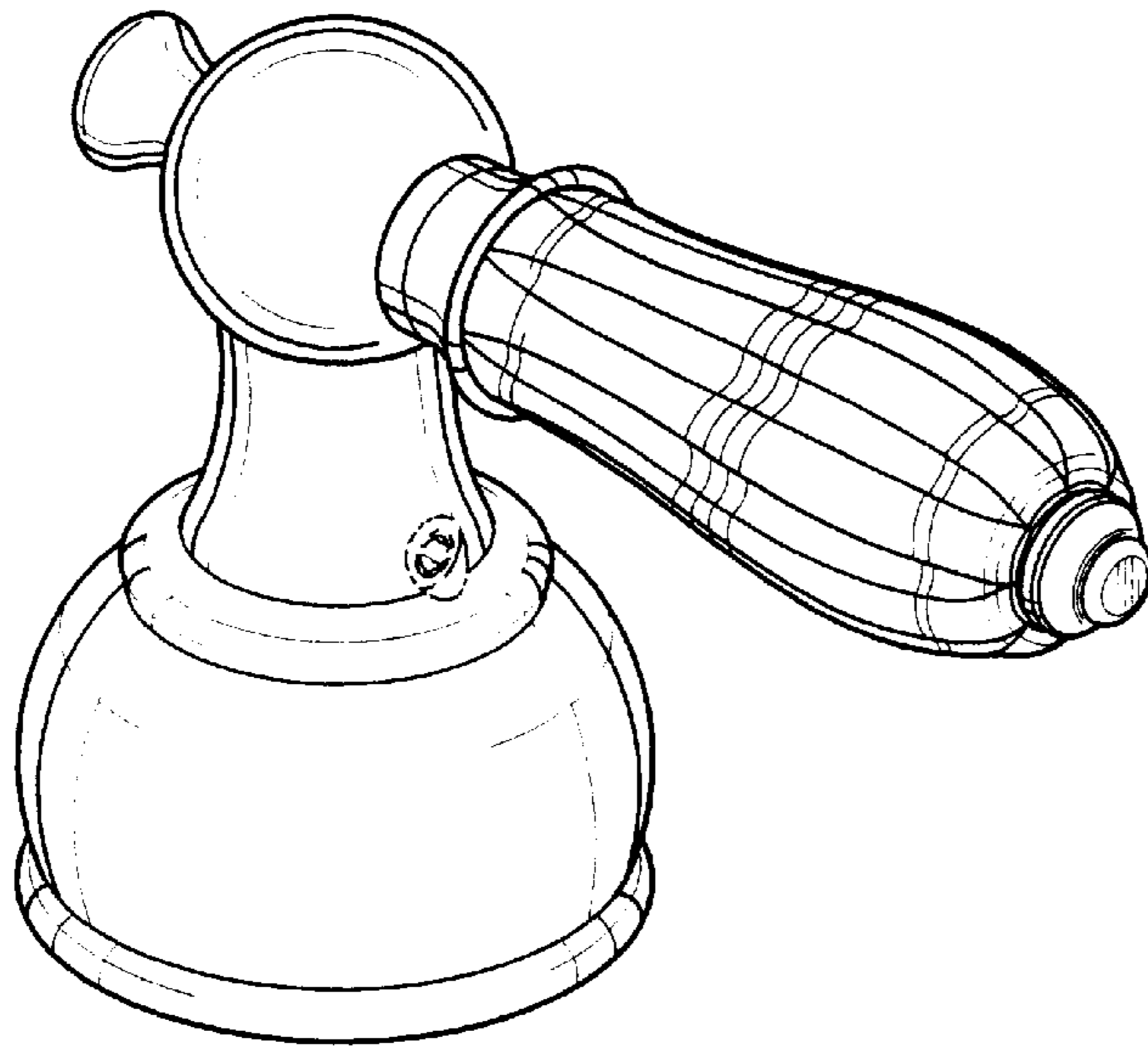


Fig-1

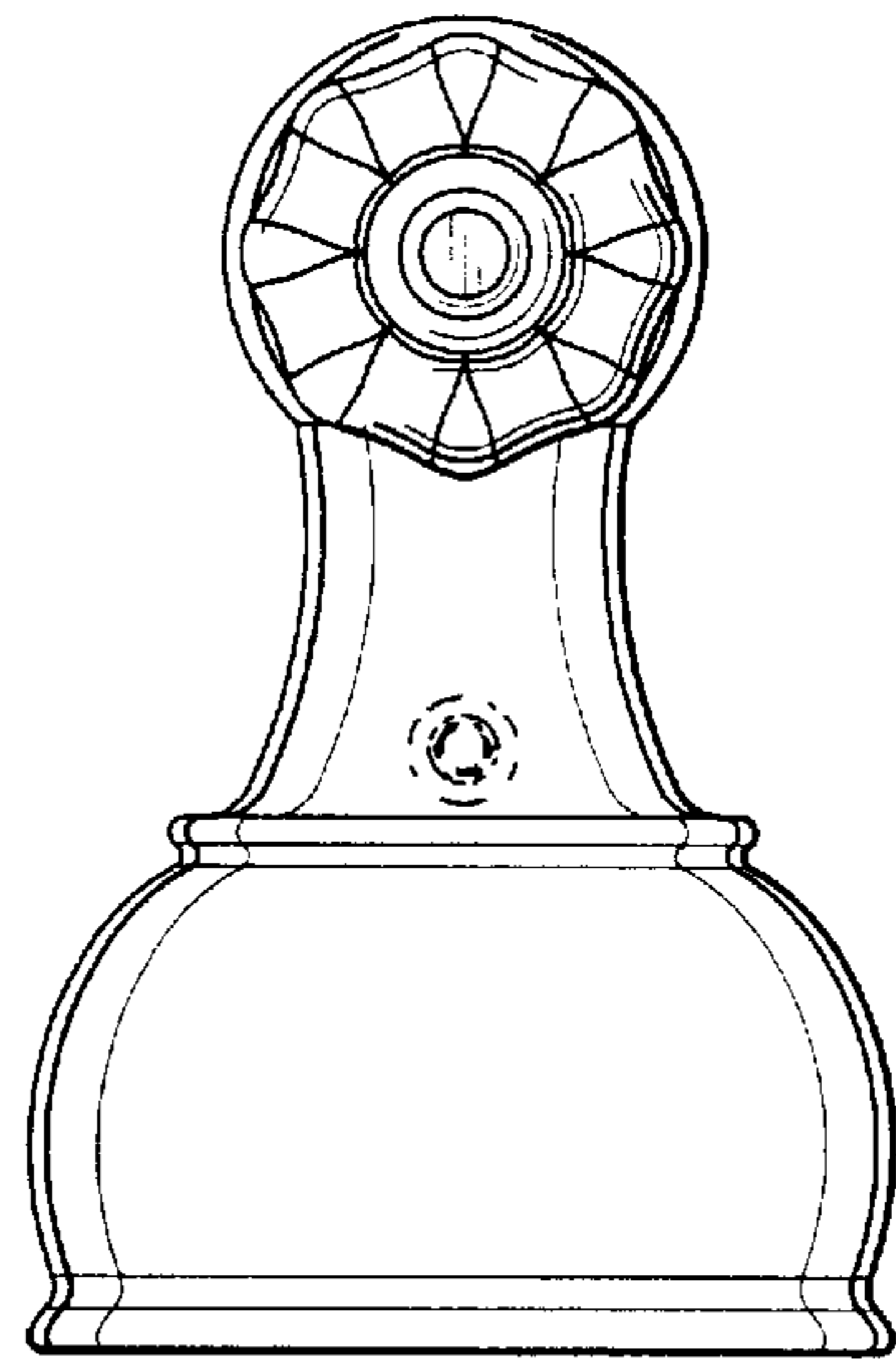


Fig-2

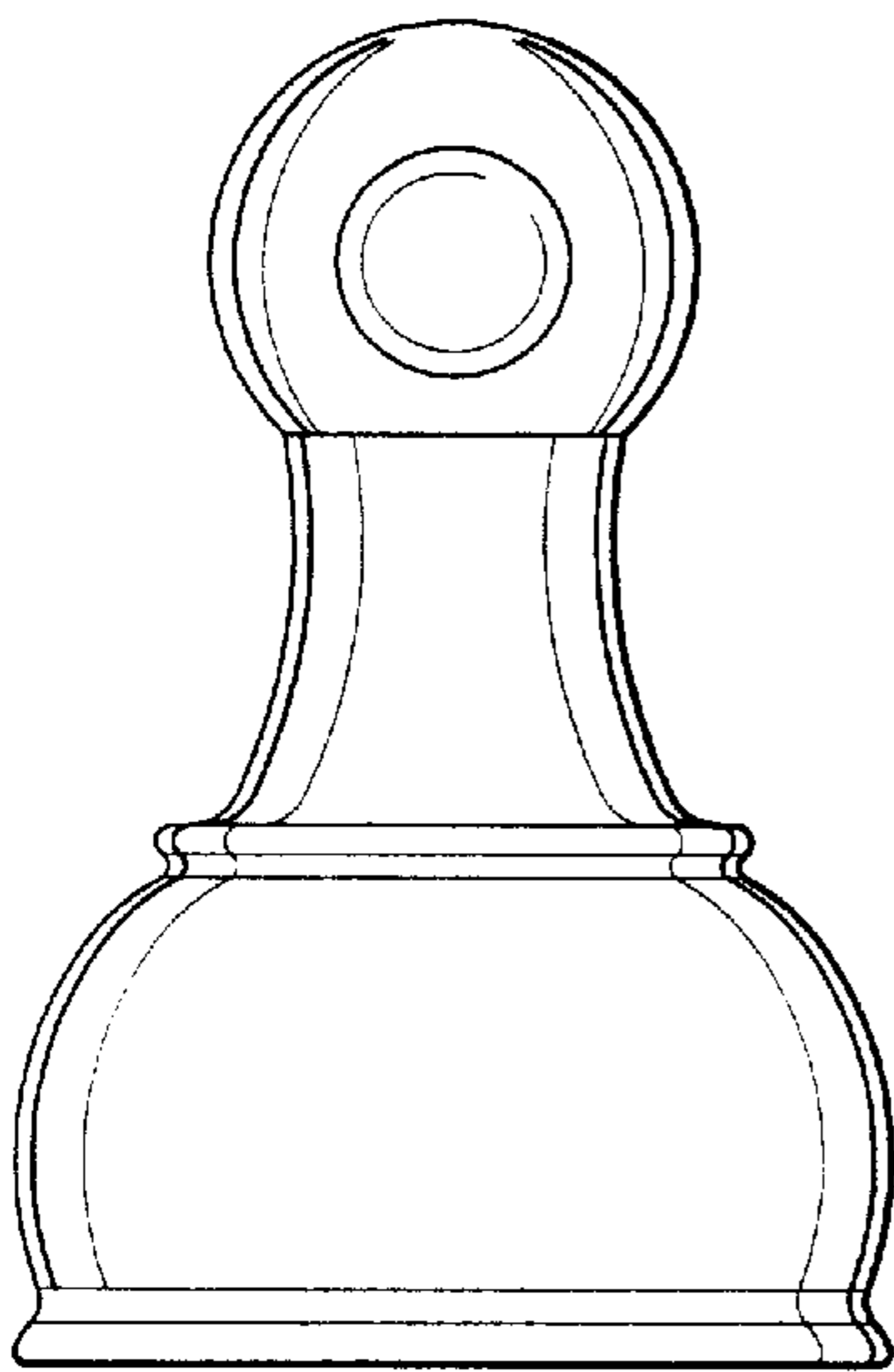


Fig-3

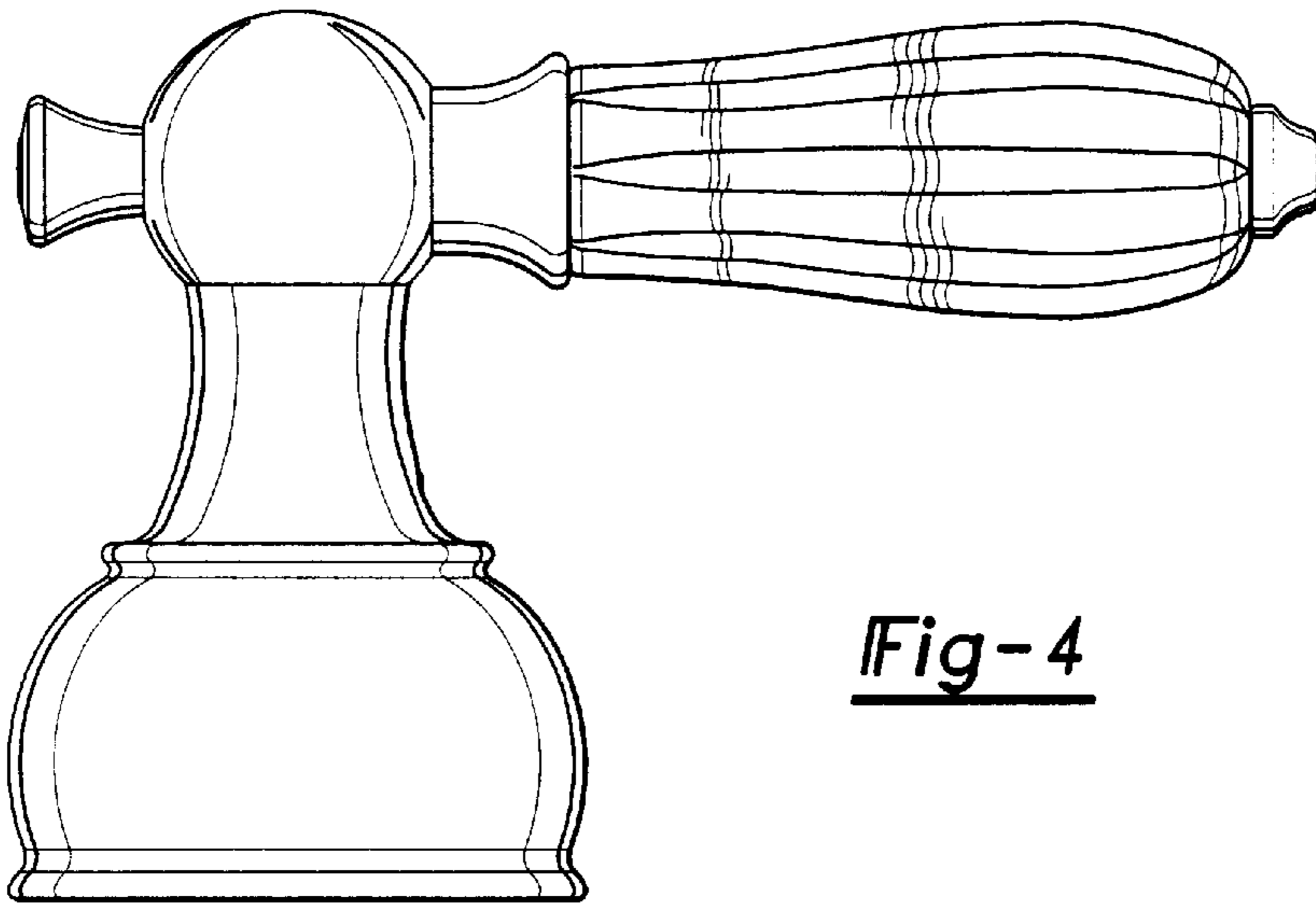


Fig-4

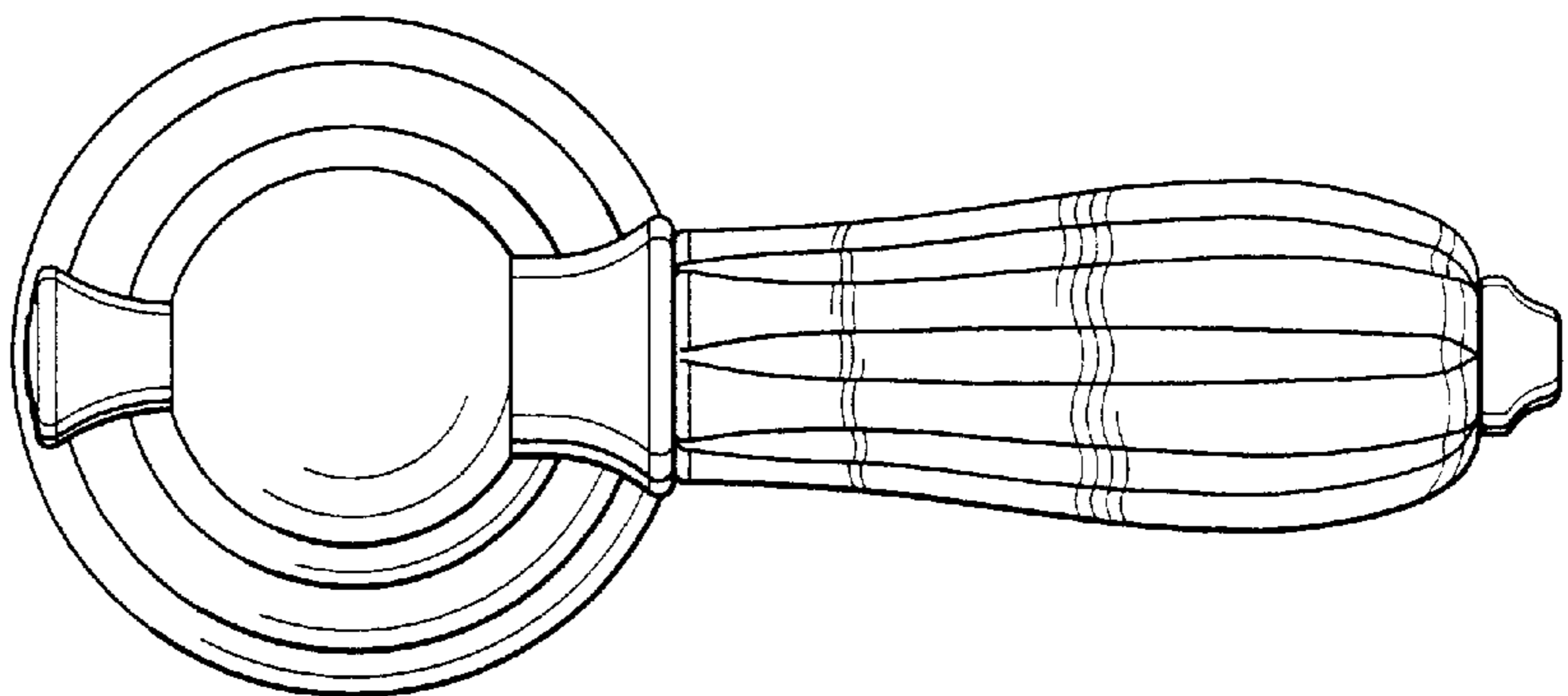


Fig-5

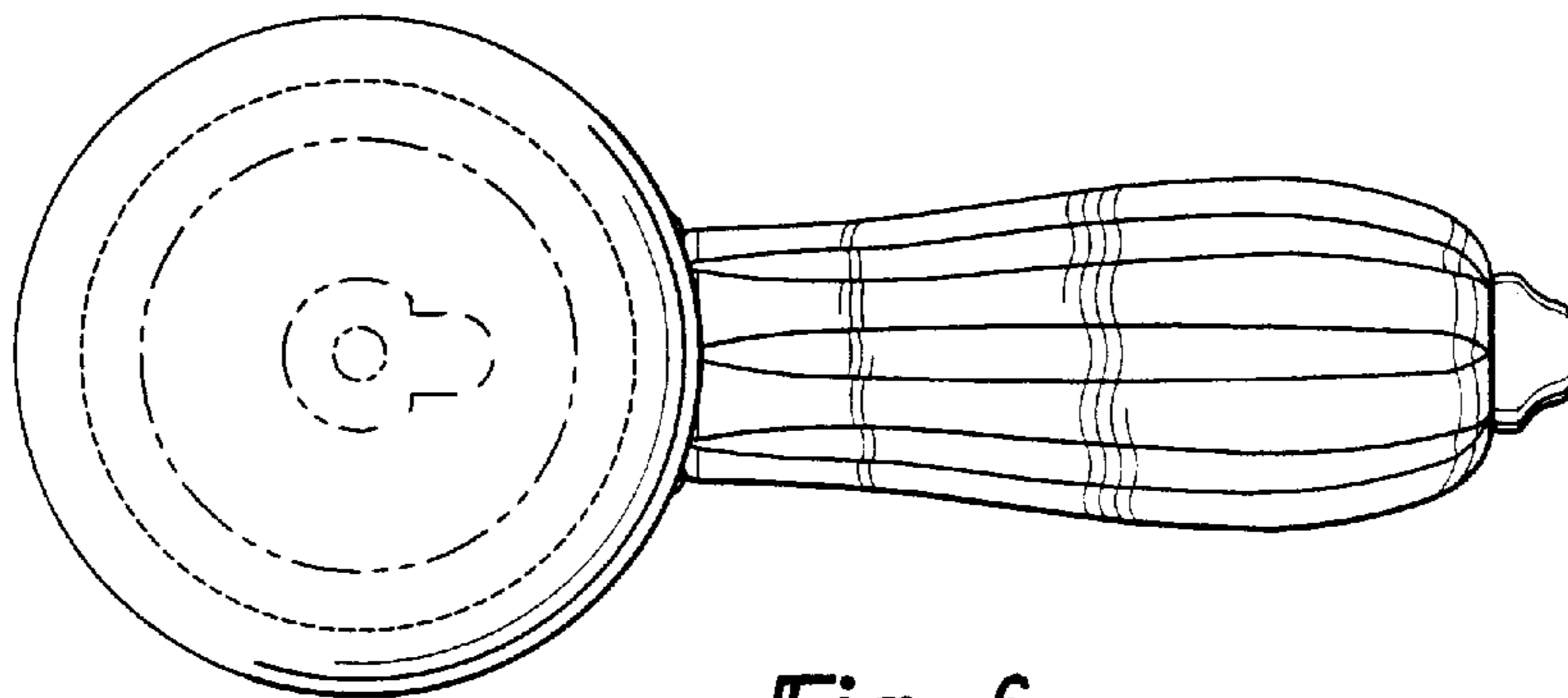


Fig-6