



US00D433102S

United States Patent [19] Spangler

[11] **Patent Number: Des. 433,102**

[45] **Date of Patent: ** Oct. 31, 2000**

[54] **FAUCET HANDLE BODY**

[75] Inventor: **Anthony G. Spangler**, Greensburg, Ind.

[73] Assignee: **Masco Corporation of Indiana**, Indianapolis, Ind.

[**] Term: **14 Years**

[21] Appl. No.: **29/117,373**

[22] Filed: **Jan. 21, 2000**

[51] **LOC (7) Cl.** **23-01**

[52] **U.S. Cl.** **D23/249; D23/254**

[58] **Field of Search** D23/238-243,
D23/249, 250-254; D8/308, 321, DIG. 2,
300, 303, 352; 4/675-678; 16/110 R; 137/801

[56] **References Cited**

U.S. PATENT DOCUMENTS

D. 291,590	8/1987	Benstsson	D23/241
D. 292,730	11/1987	Belaiche et al.	D23/250
D. 305,863	2/1990	Gresens et al.	D8/352
D. 318,717	7/1991	Spangler	D23/252
D. 322,307	12/1991	Chretien	D23/252
D. 325,772	4/1992	Carr	D23/252
D. 325,958	5/1992	Stairs et al.	D23/250
D. 327,532	6/1992	Ko	D23/252
D. 349,208	8/1994	Bollenbacher	D23/254

D. 372,764	8/1996	Dubin	D23/254
D. 409,289	5/1999	Hyde et al.	D23/252
D. 412,560	8/1999	Kuo	D23/238
D. 418,205	12/1999	Hyde et al.	D23/250
D. 419,220	1/2000	Warshawsky et al.	D23/252

Primary Examiner—Louis S. Zarfes
Assistant Examiner—Greg Andoll
Attorney, Agent, or Firm—Myron B. Kapustij; Lloyd D. Doigan

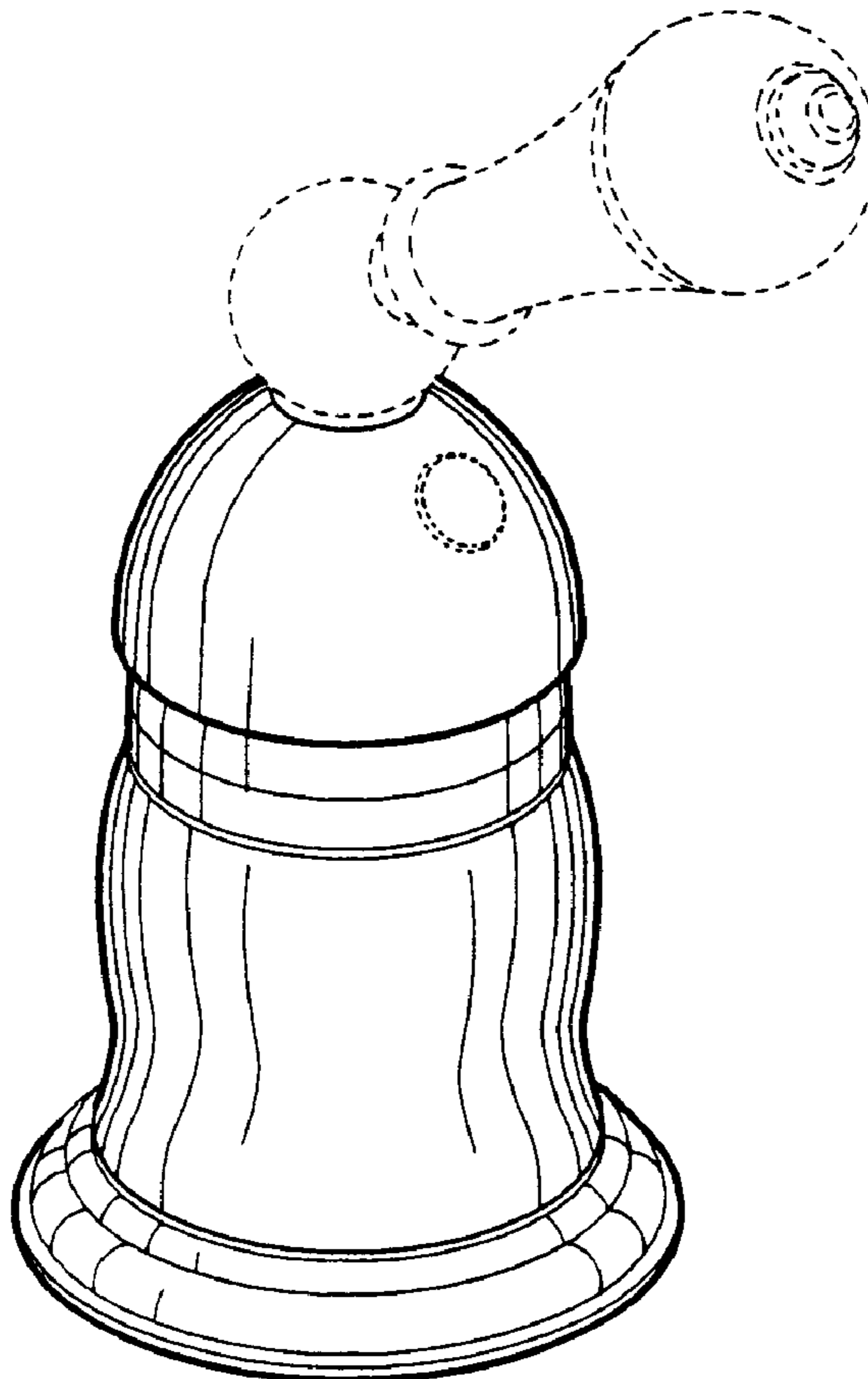
[57] **CLAIM**

The ornamental design for a faucet handle body, as shown and described.

DESCRIPTION

FIG. 1 is a front perspective view of the faucet handle body showing my new design;
FIG. 2 is a rear perspective view thereof;
FIG. 3 is a front elevational view thereof;
FIG. 4 is a top plan view thereof;
FIG. 5 is a right side elevational view thereof;
FIG. 6 is a left side elevational view thereof; and,
FIG. 7 is a bottom plan view thereof.
The broken line showing of the set screw and handle blade in FIG. 1 is for purposes of illustration only and forms no part of the claimed design.

1 Claim, 2 Drawing Sheets



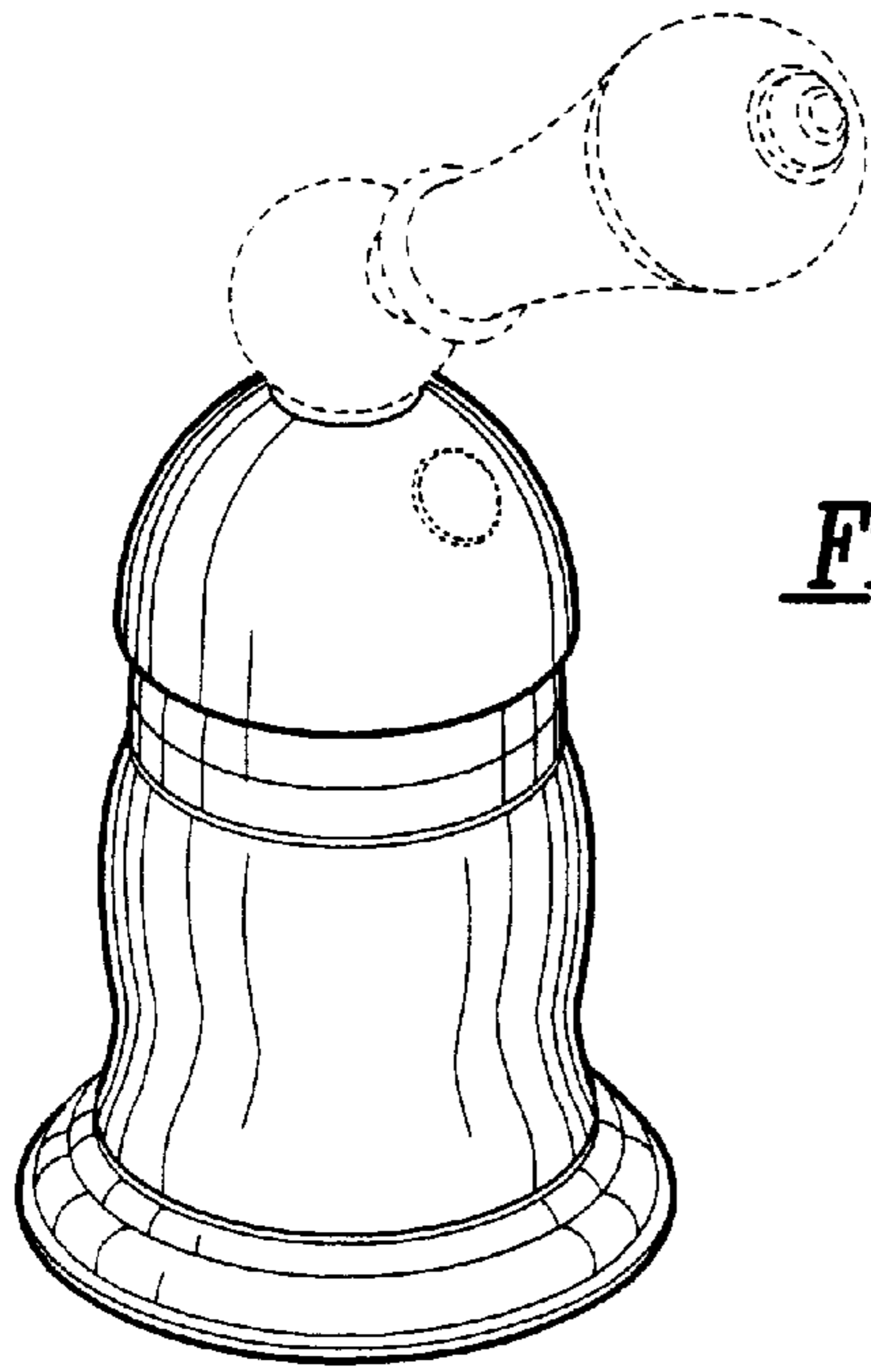


Fig-1

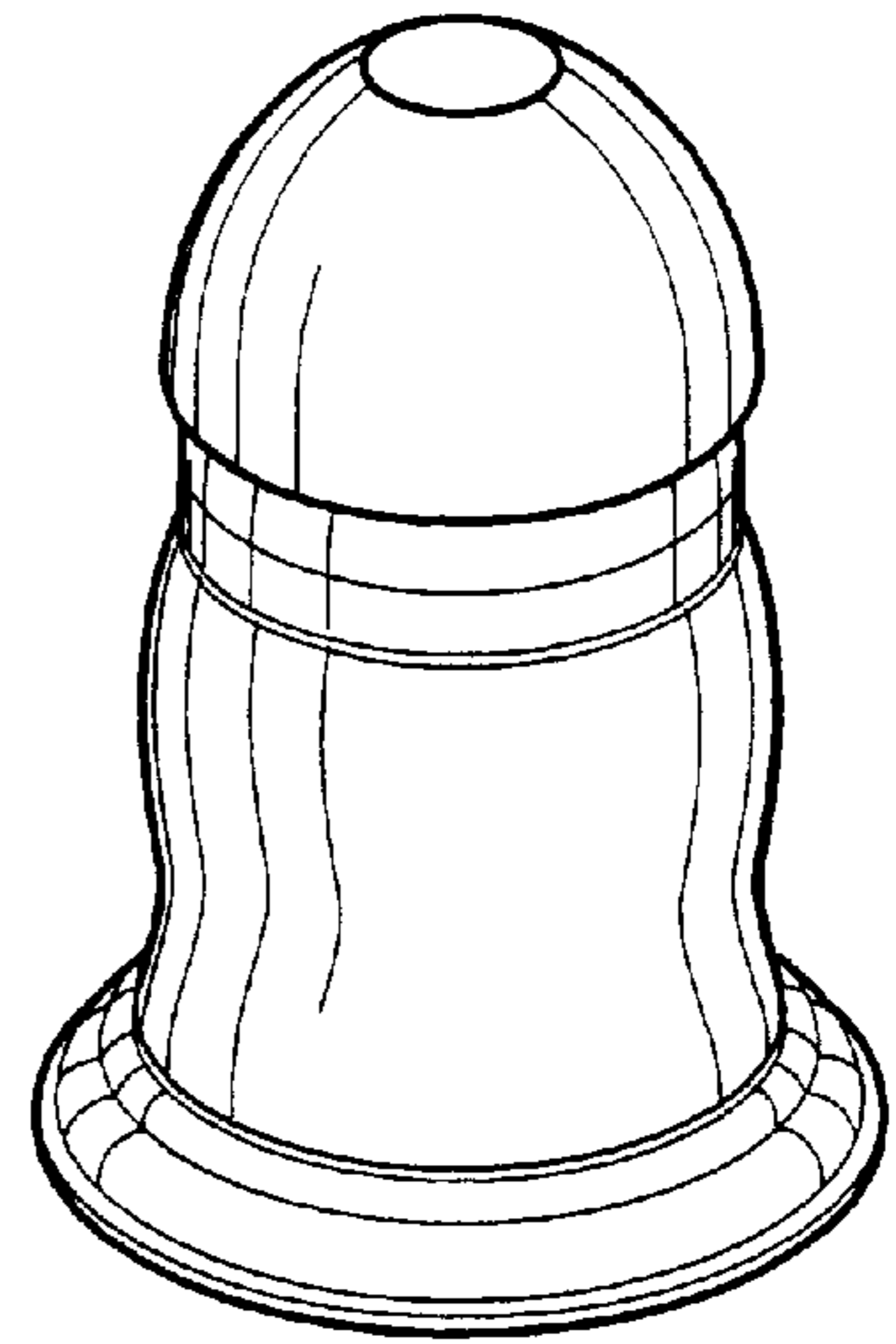


Fig-2

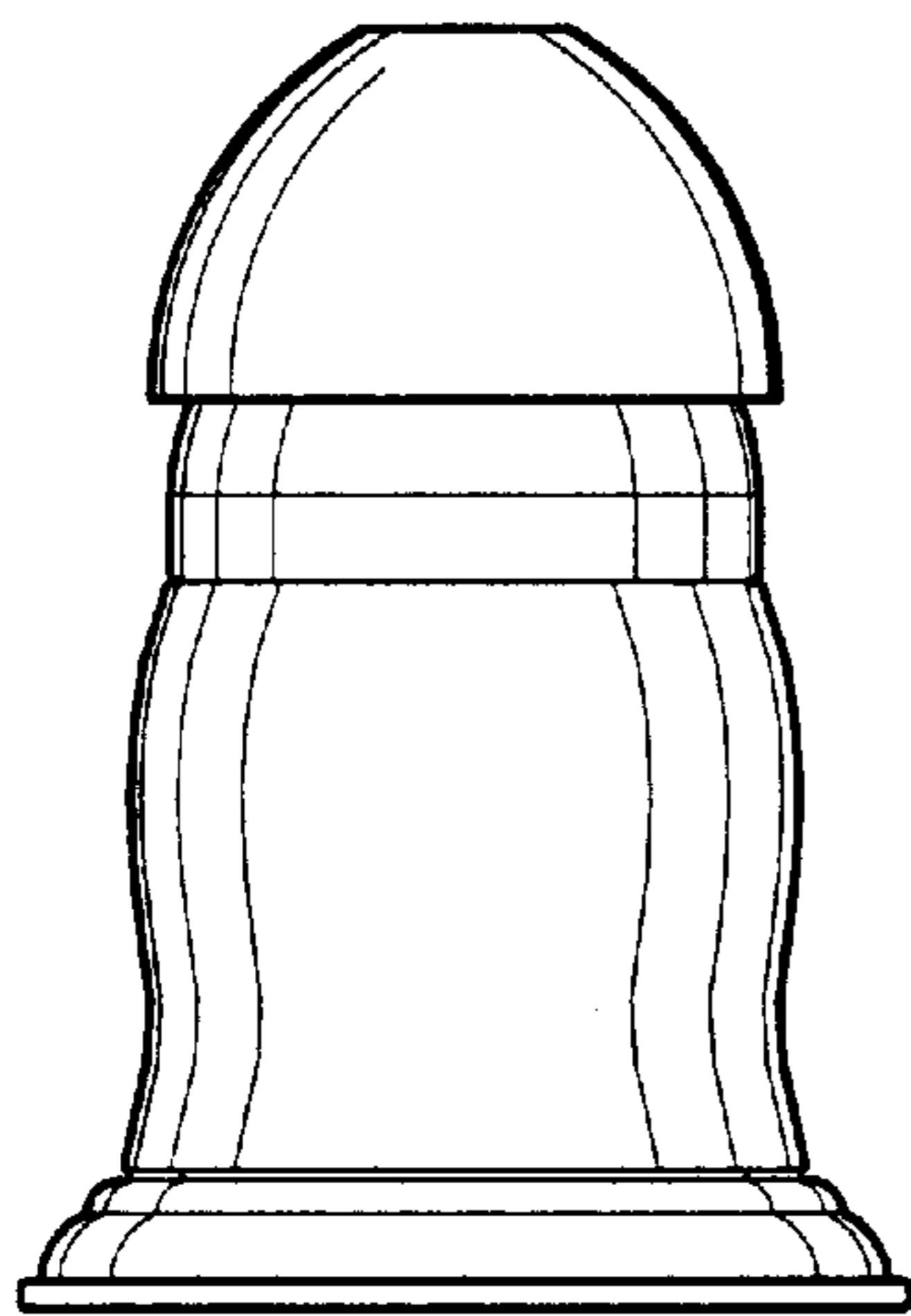


Fig-3

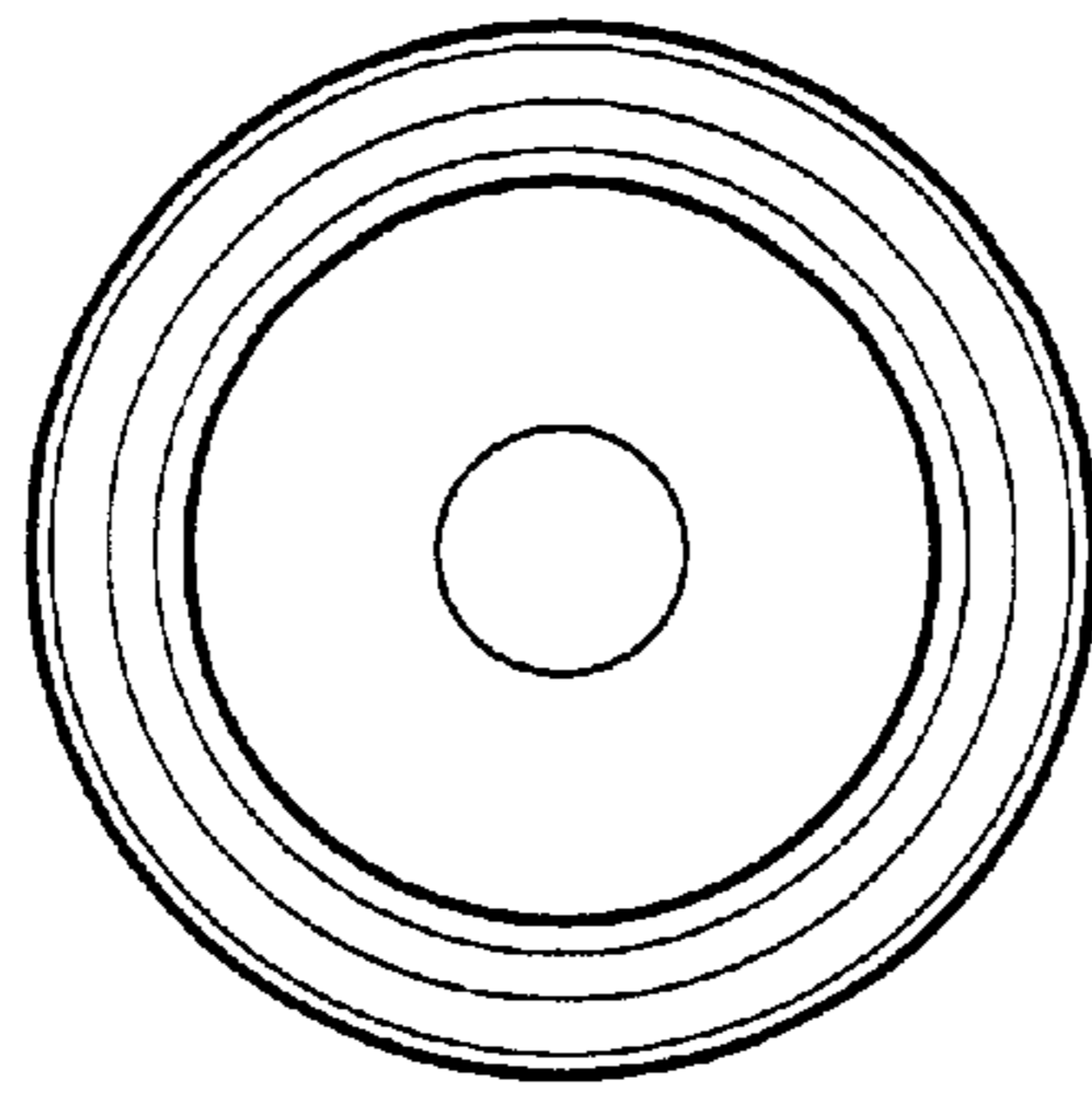


Fig-4

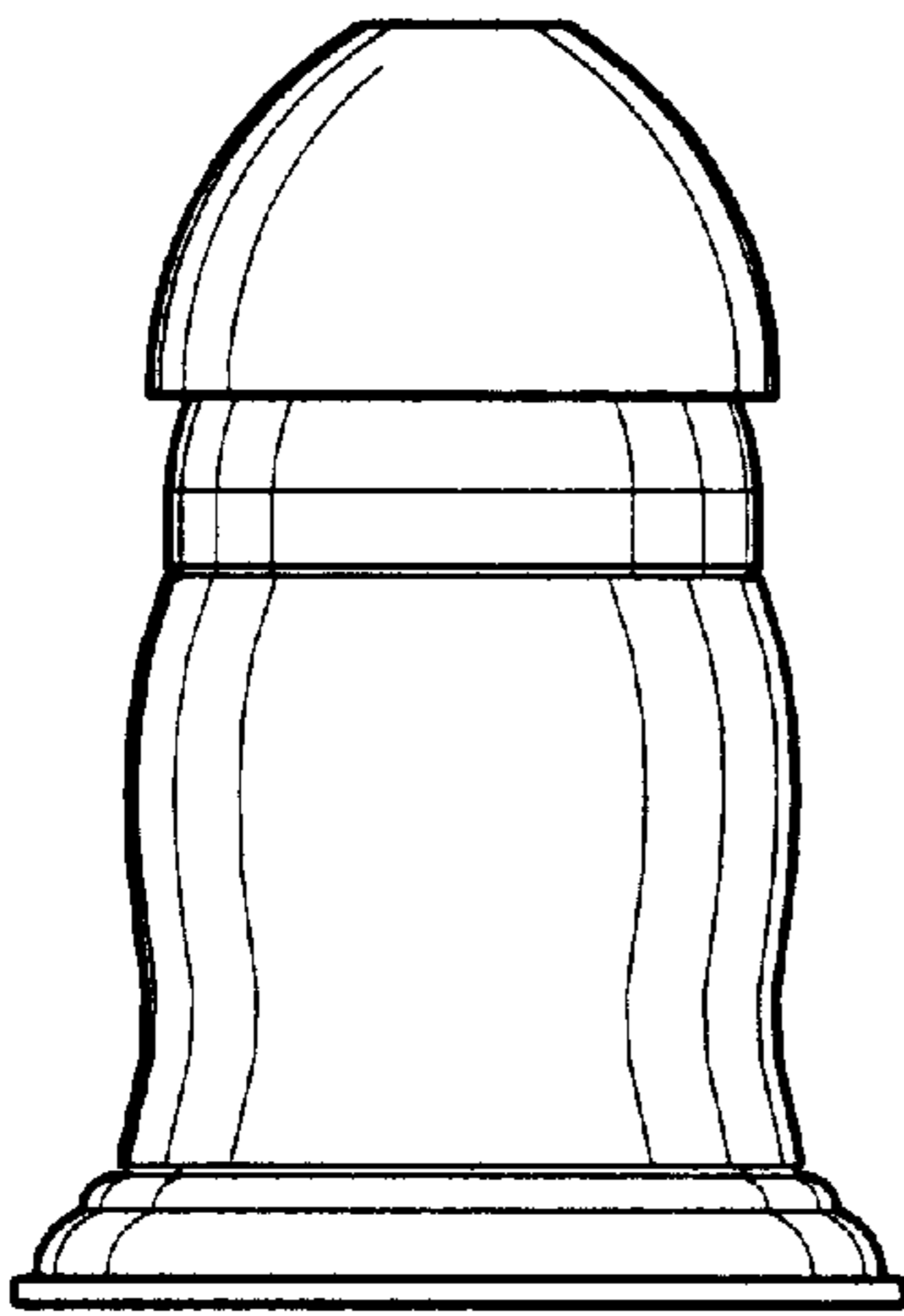


Fig-5

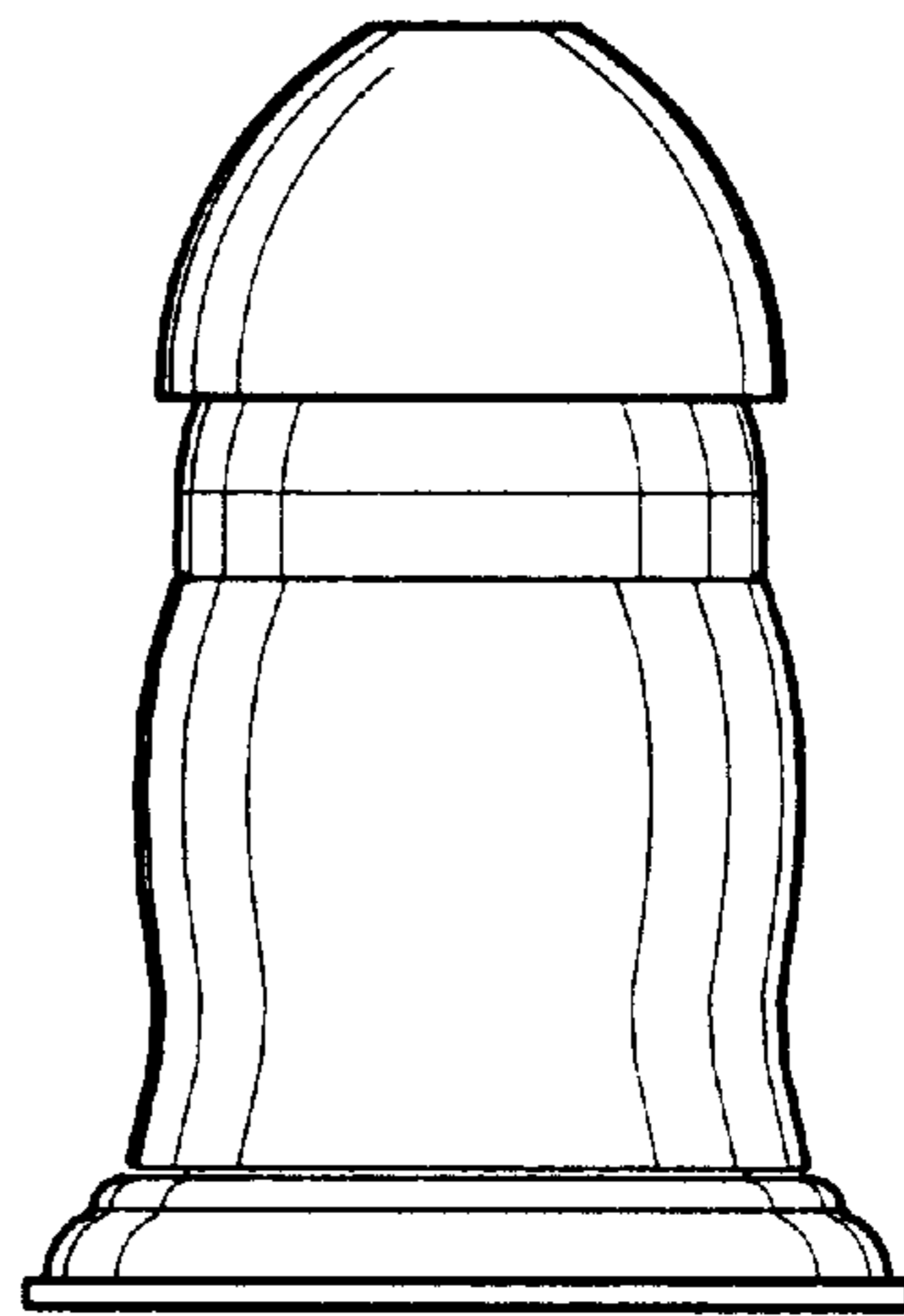


Fig-6

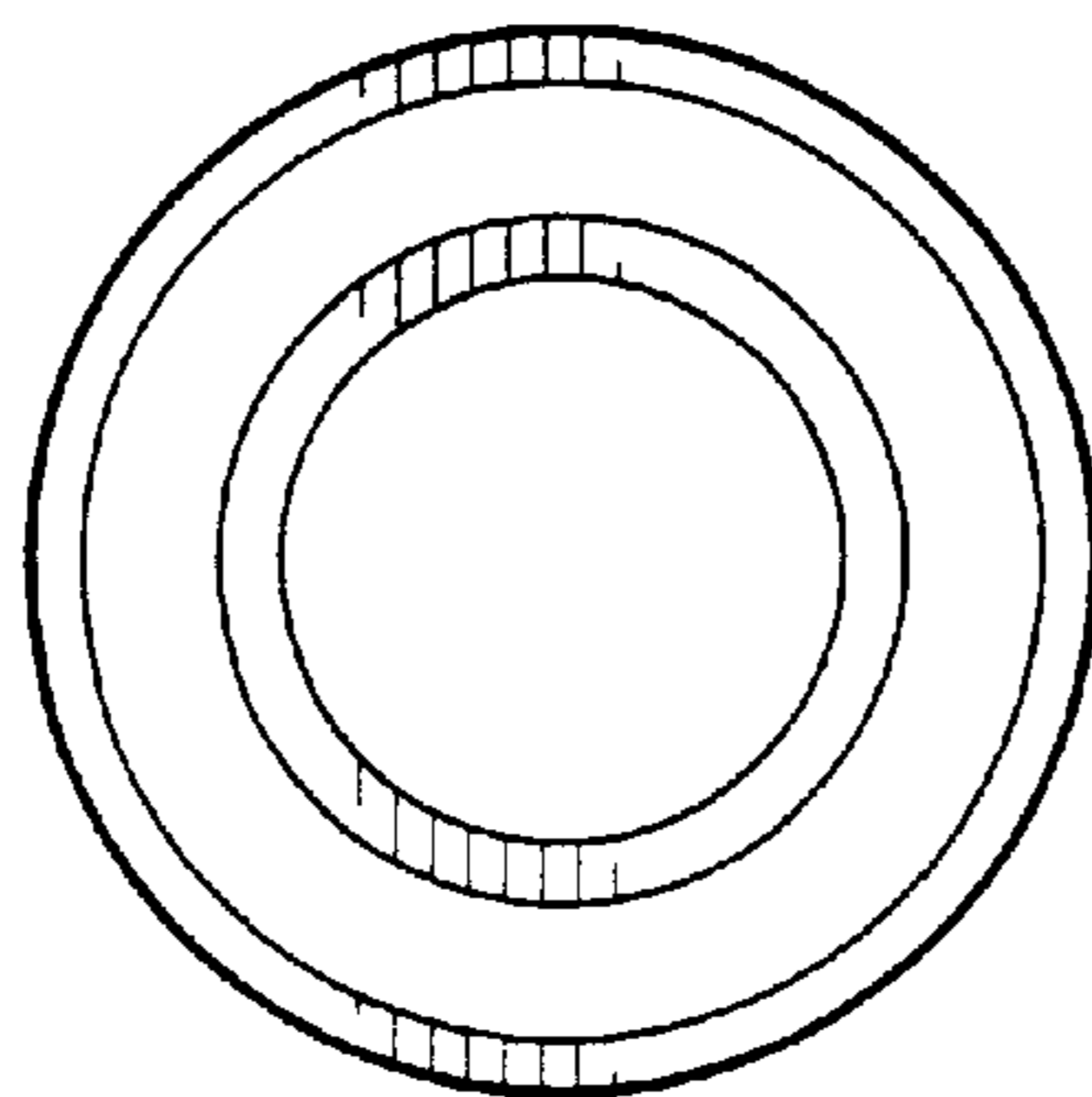


Fig-7