



US00D433100S

# United States Patent [19] Chan

[11] **Patent Number: Des. 433,100**

[45] **Date of Patent: \*\* Oct. 31, 2000**

[54] **SHOWERHEAD**

D. 323,545	1/1992	Ward	.....	D23/213
D. 405,504	2/1999	Huen	.....	D23/229
D. 416,075	11/1999	Chan	.....	D23/229

[75] Inventor: **Jason Siu Ming Chan**, North Point,  
The Hong Kong Special Administrative  
Region of the People's Republic of  
China

*Primary Examiner*—Robin V. Taylor  
*Attorney, Agent, or Firm*—Leydig, Voit & Mayer, Ltd.

[73] Assignee: **Aquamate Company Limited**,  
Kowloon, The Hong Kong Special  
Administrative Region of the People's  
Republic of China

[57] **CLAIM**

The ornamental design for a showerhead, as shown and described.

[\*\*] Term: **14 Years**

### DESCRIPTION

[21] Appl. No.: **29/113,335**

FIG. 1 is a front and right side and top perspective view of a showerhead showing my new design;

[22] Filed: **Nov. 4, 1999**

FIG. 2 is a front elevational view thereof;

[51] **LOC (7) Cl.** ..... **23-01**

FIG. 3 is a rear elevational view thereof;

[52] **U.S. Cl.** ..... **D23/229**

FIG. 4 is a right side elevational view thereof;

[58] **Field of Search** ..... D23/213, 223,  
D23/229, 230; 239/462, 394

FIG. 5 is a left side elevational view thereof;

FIG. 6 is a top plan view thereof; and,

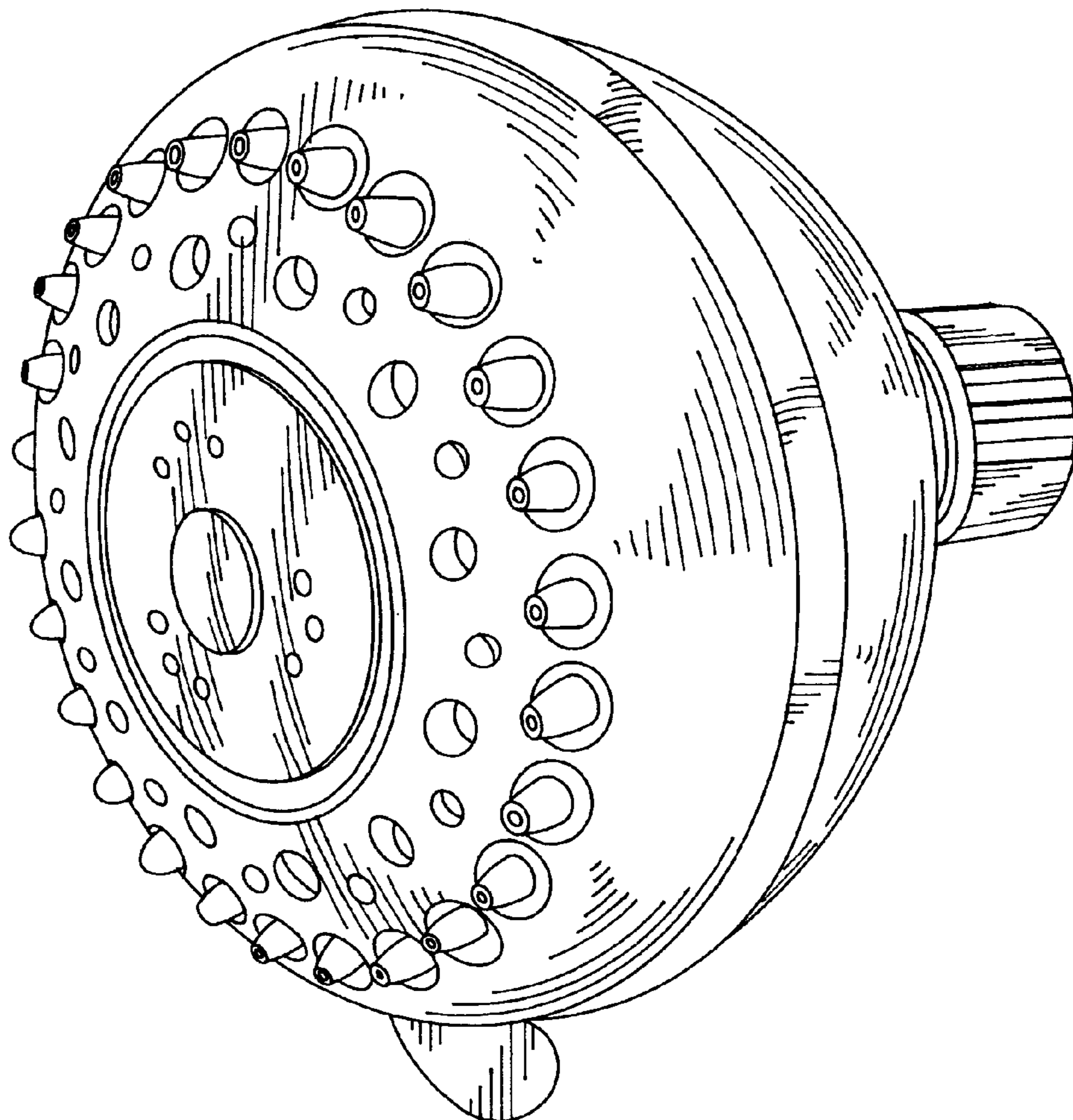
FIG. 7 is a bottom plan view thereof.

[56] **References Cited**

#### U.S. PATENT DOCUMENTS

D. 313,833 1/1991 Presman ..... D23/213

**1 Claim, 4 Drawing Sheets**



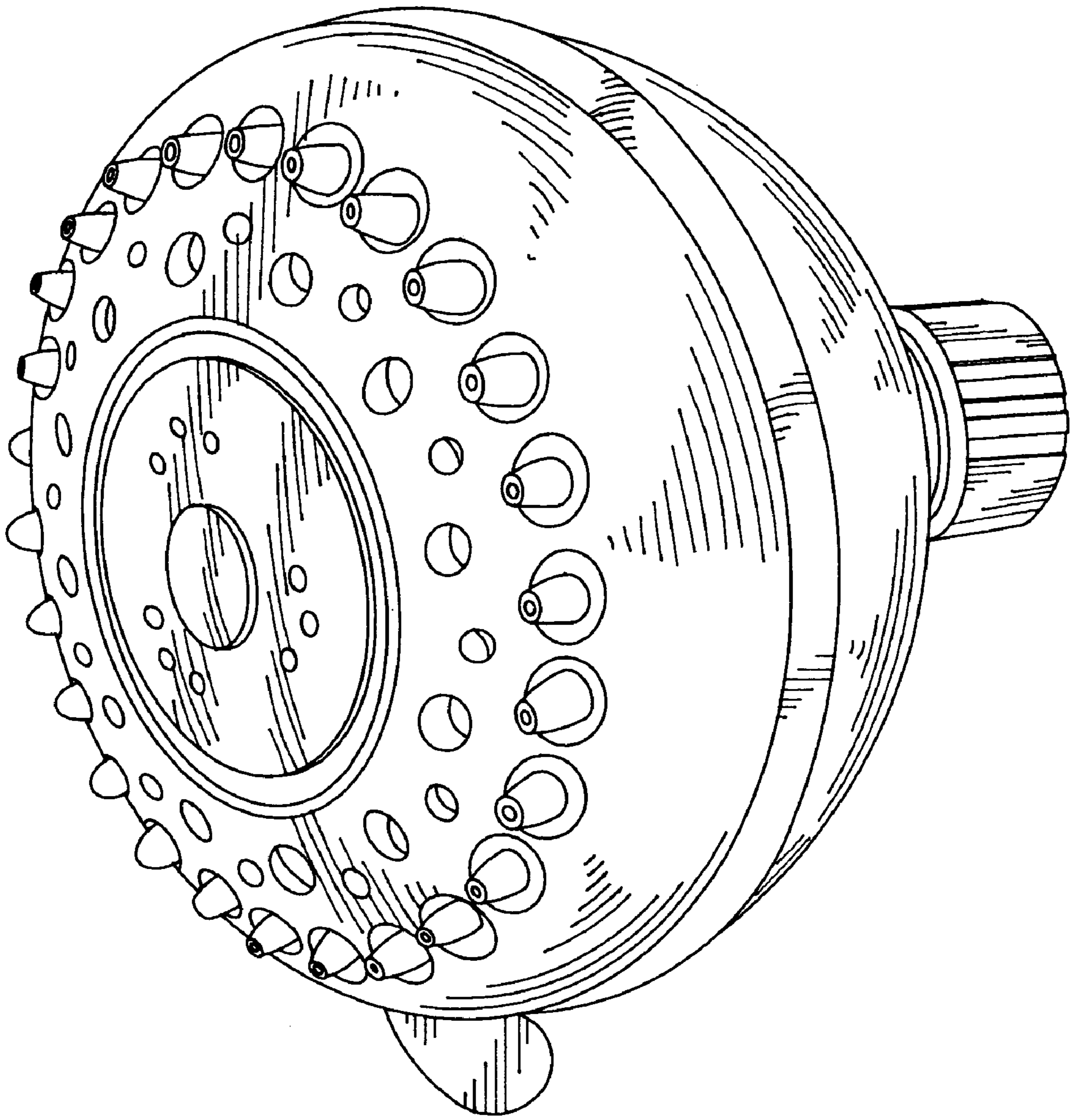


FIG. 1

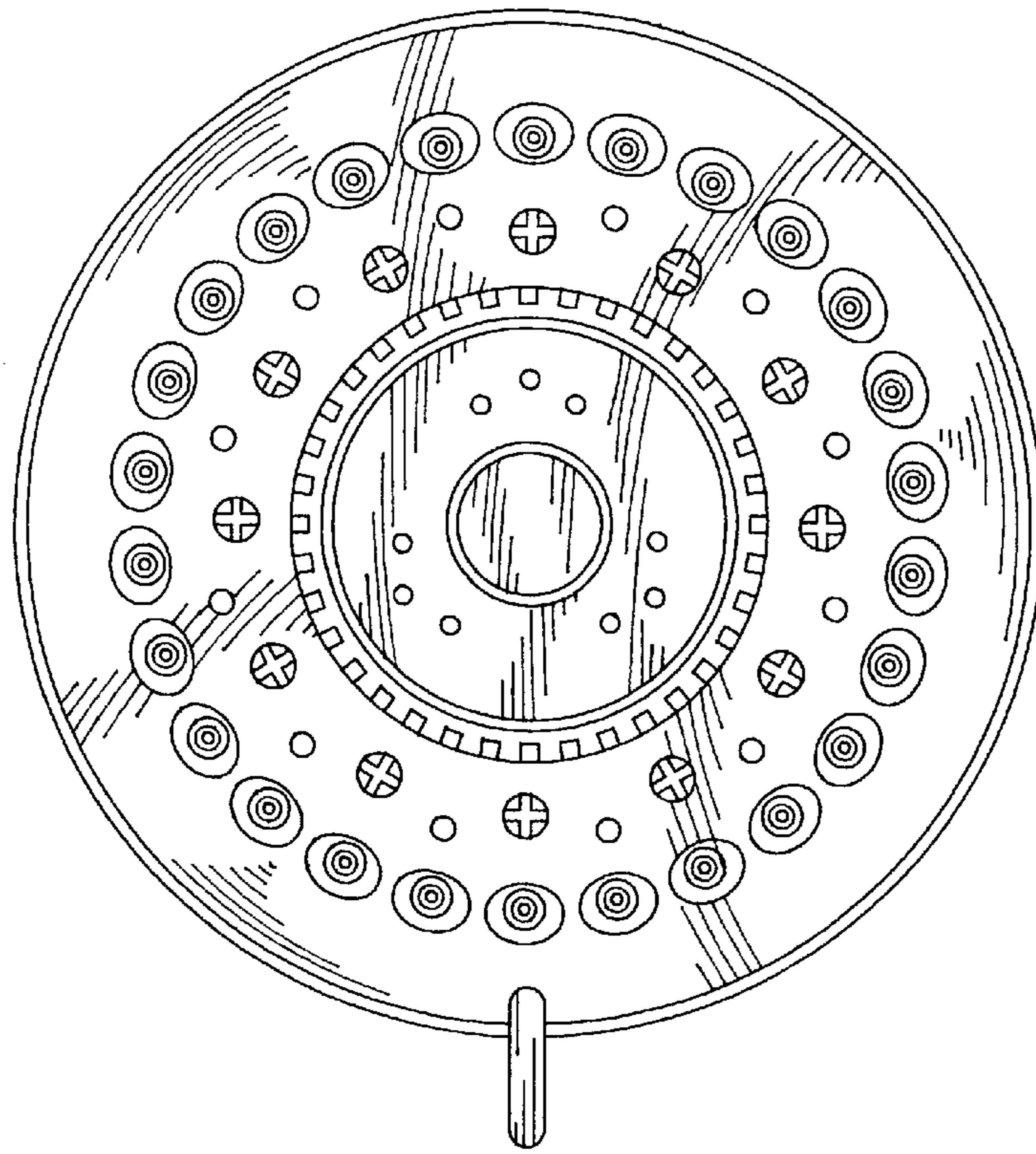


FIG. 2

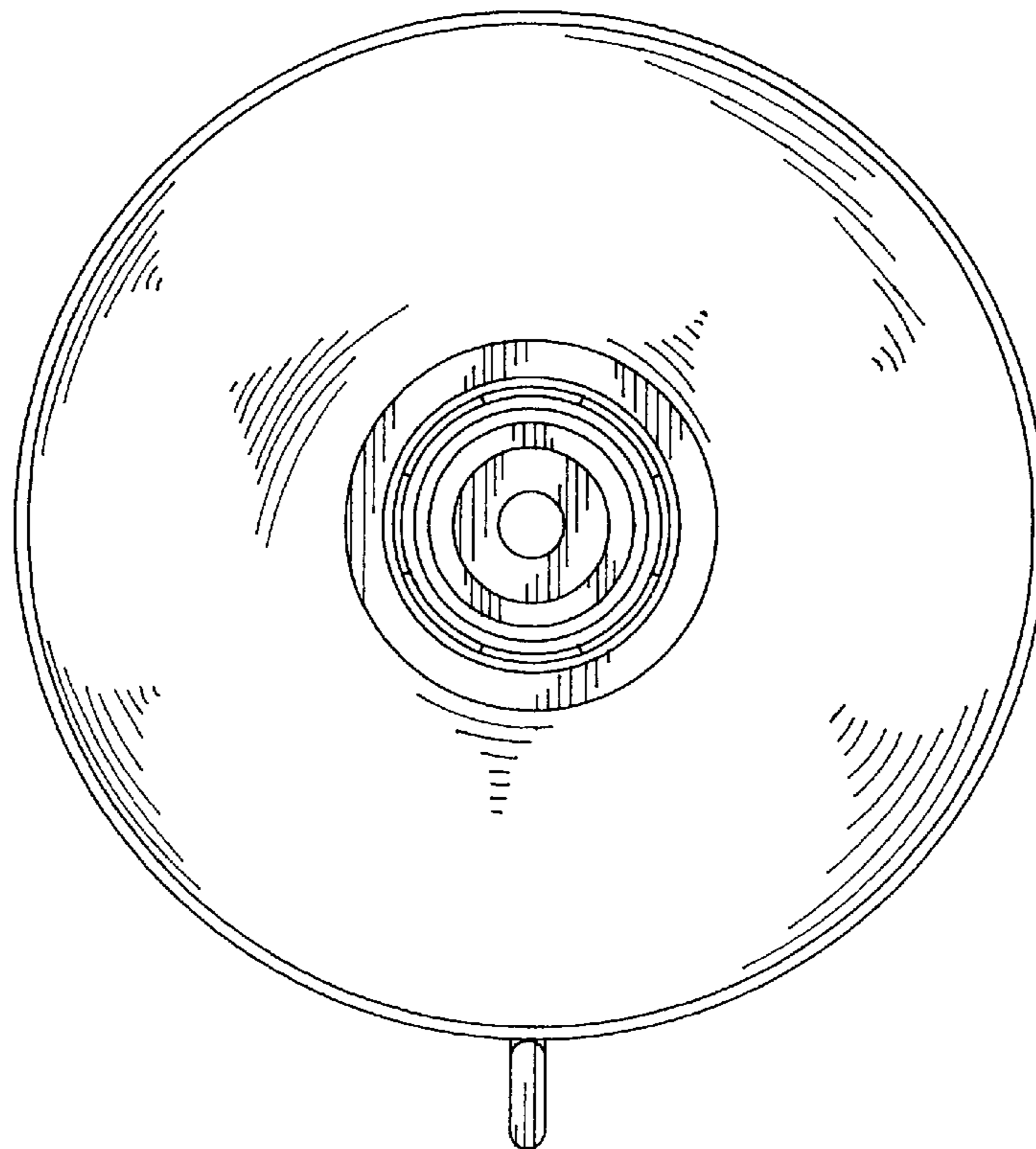


FIG. 3

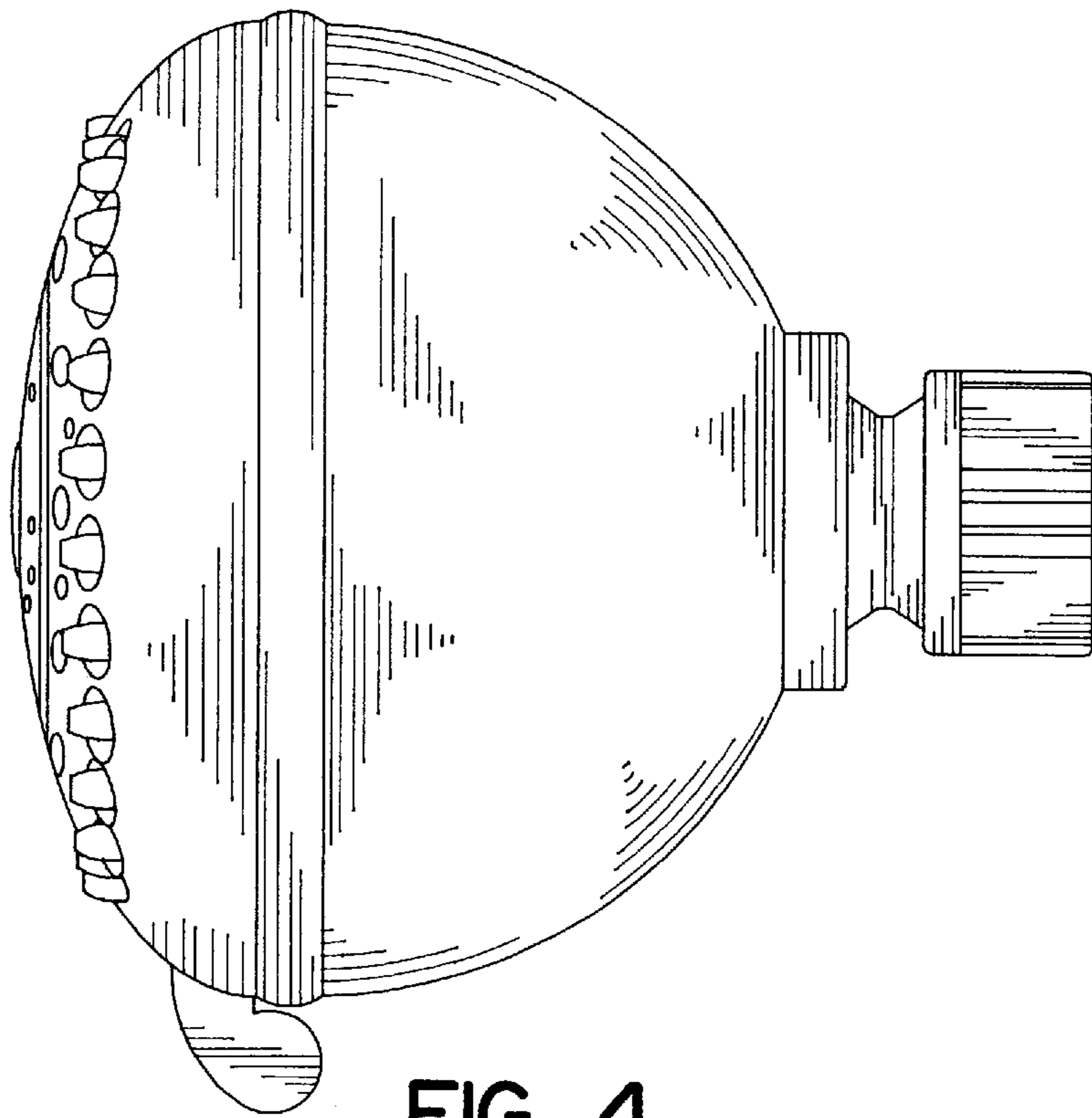


FIG. 4

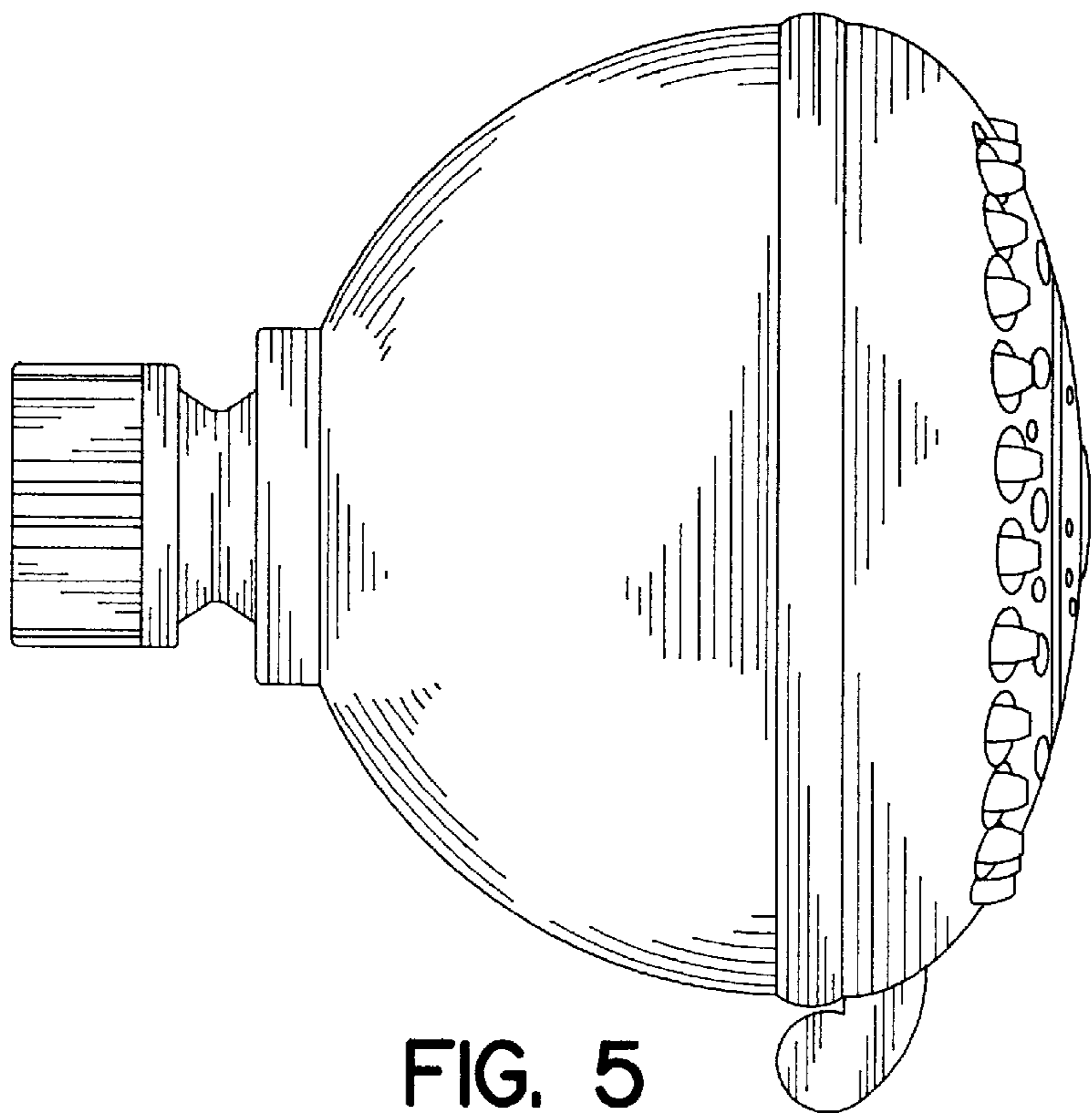


FIG. 5

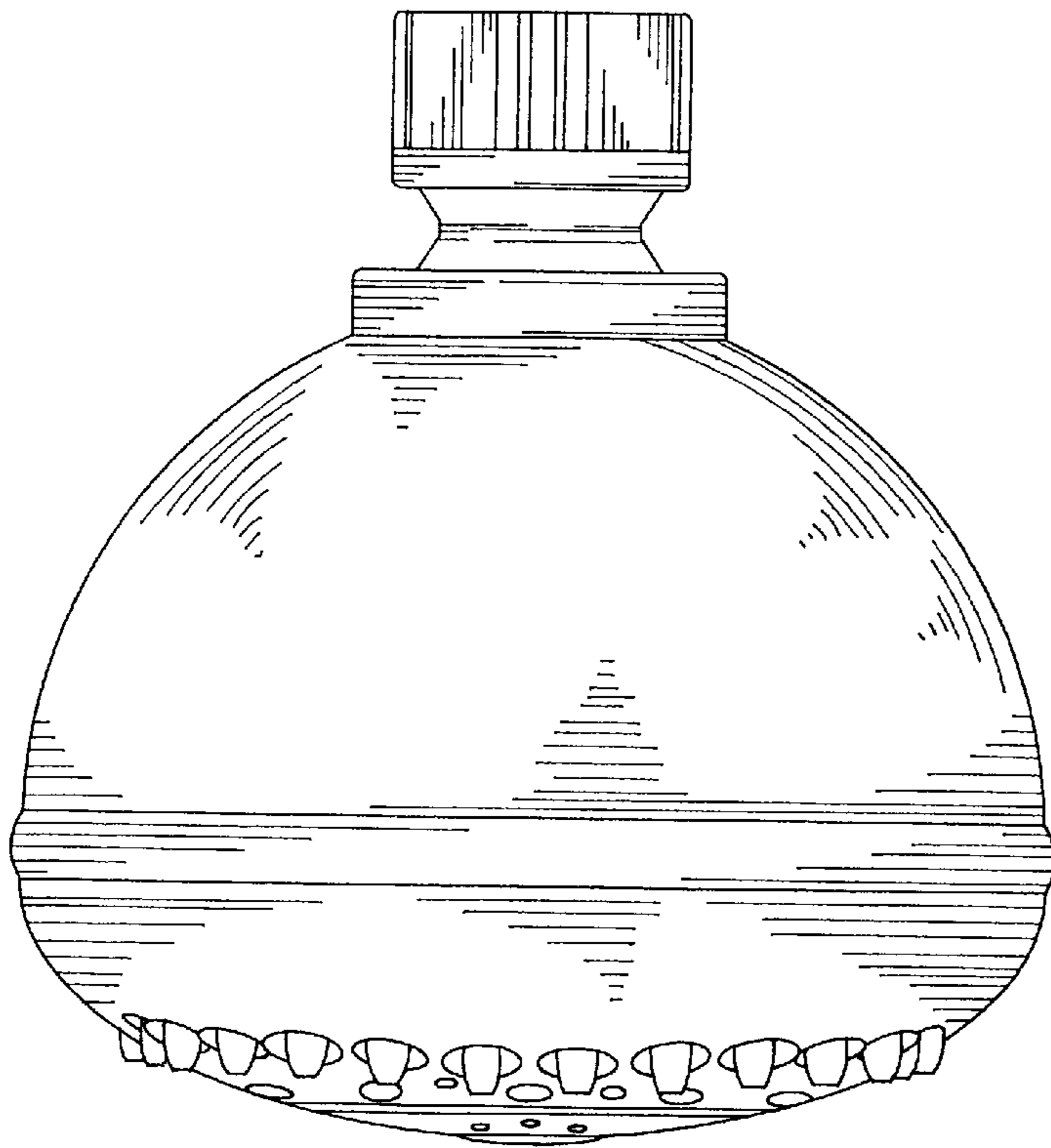


FIG. 6

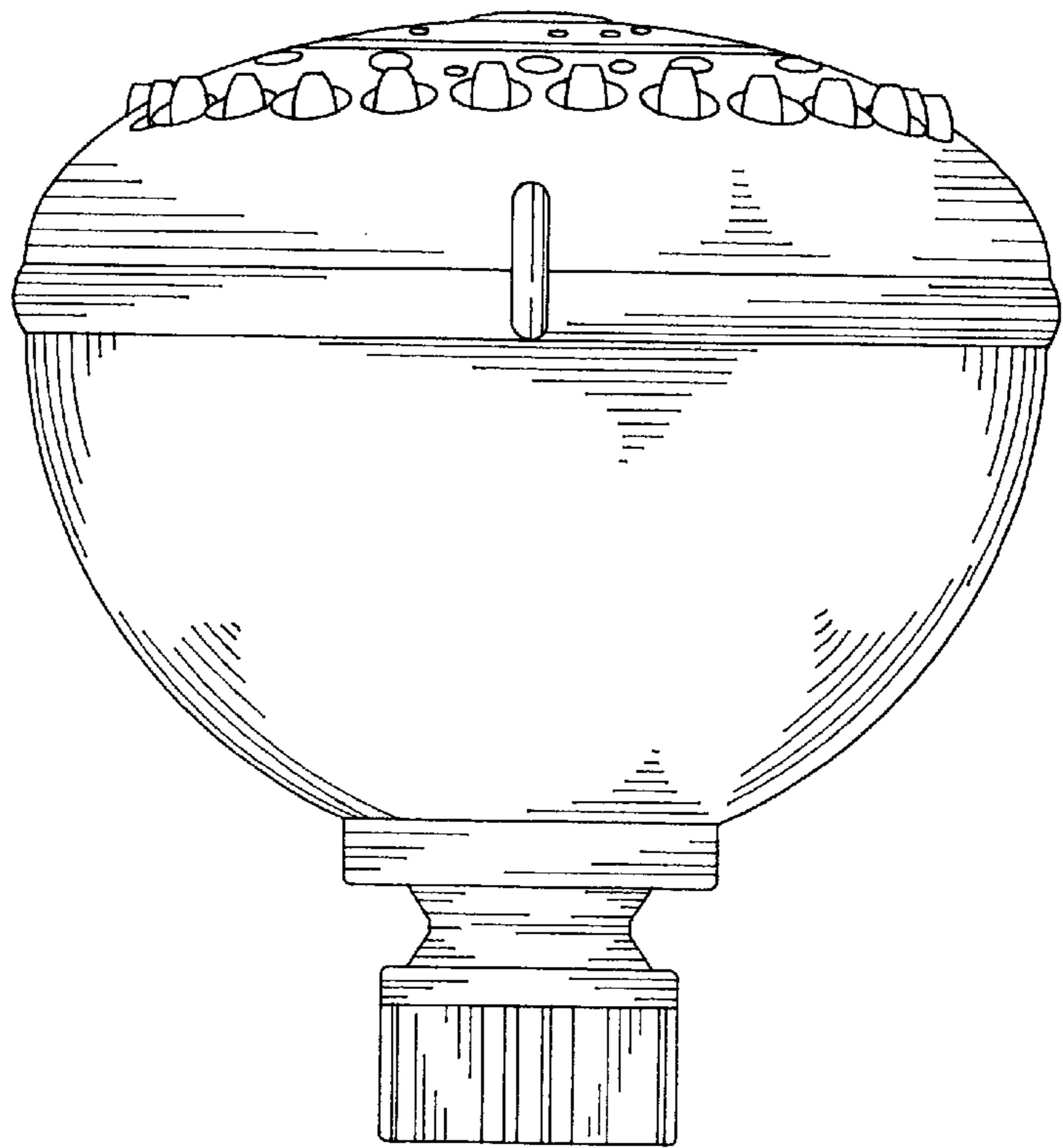


FIG. 7