



US00D433095S

# United States Patent [19]

[11] **Patent Number: Des. 433,095**

**Beaver et al.**

[45] **Date of Patent: \*\* Oct. 31, 2000**

[54] **SPRAYER**

[76] Inventors: **Larry Gene Beaver**, 5285 Golf Dr., Lake Park, Ga. 31636; **Mark T. Maclean-Blevins**, 679 Arbor Dr., Westminster, Md. 21158; **Craig Stephen Ketcham**, 125 Cambridge Pl., Somerset, Pa. 15501

[\*\*] Term: **14 Years**

[21] Appl. No.: **29/122,061**

[22] Filed: **Apr. 18, 2000**

### Related U.S. Application Data

[63] Continuation of application No. 29/111,585, Sep. 30, 1999.

[51] **LOC (7) Cl.** ..... **23-01**

[52] **U.S. Cl.** ..... **D23/213; D23/225**

[58] **Field of Search** ..... D23/213, 224, D23/225; 239/310, 312, 314, 316, 317, 318

### References Cited

#### U.S. PATENT DOCUMENTS

D. 298,848	12/1988	Chow et al.	.....	D23/213
D. 319,292	8/1991	Gunzel et al.	.....	D23/213
D. 358,865	5/1995	Englhard	.....	D23/213
5,850,973	12/1998	Liljeqvist et al.	.....	239/312

#### OTHER PUBLICATIONS

Green Garden, Inc., Lawn & Garden Accessories, "Hose End Sprayers," brochure, 4 pages.  
Five pages of photocopy of bottle of Armor All E-Z Spray Window Wash.

U.S. application Ser. 09/236,142, filed Jan. 22, 1999.

U.S. Design application No. 29/111,582, filed Sep. 30, 1999.

U.S. Design application No. 29/111,583, filed Sep. 30, 1999.

U.S. Design application No. 29/112,165, filed Oct. 8, 1999.

U.S. Design application No. 29/111,586, filed Sep. 30, 1999.

U.S. Design application No. 29/111,587, filed Sep. 30, 1999.

U.S. Design application No. 29/111,585, filed Sep. 30, 1999.

U.S. Design application No. 29/111,584, filed Sep. 30, 1999.

U.S. Design application No. 29/111,906, filed Oct. 6, 1999.

*Primary Examiner*—Robin V. Taylor  
*Attorney, Agent, or Firm*—Jones & Askew LLP

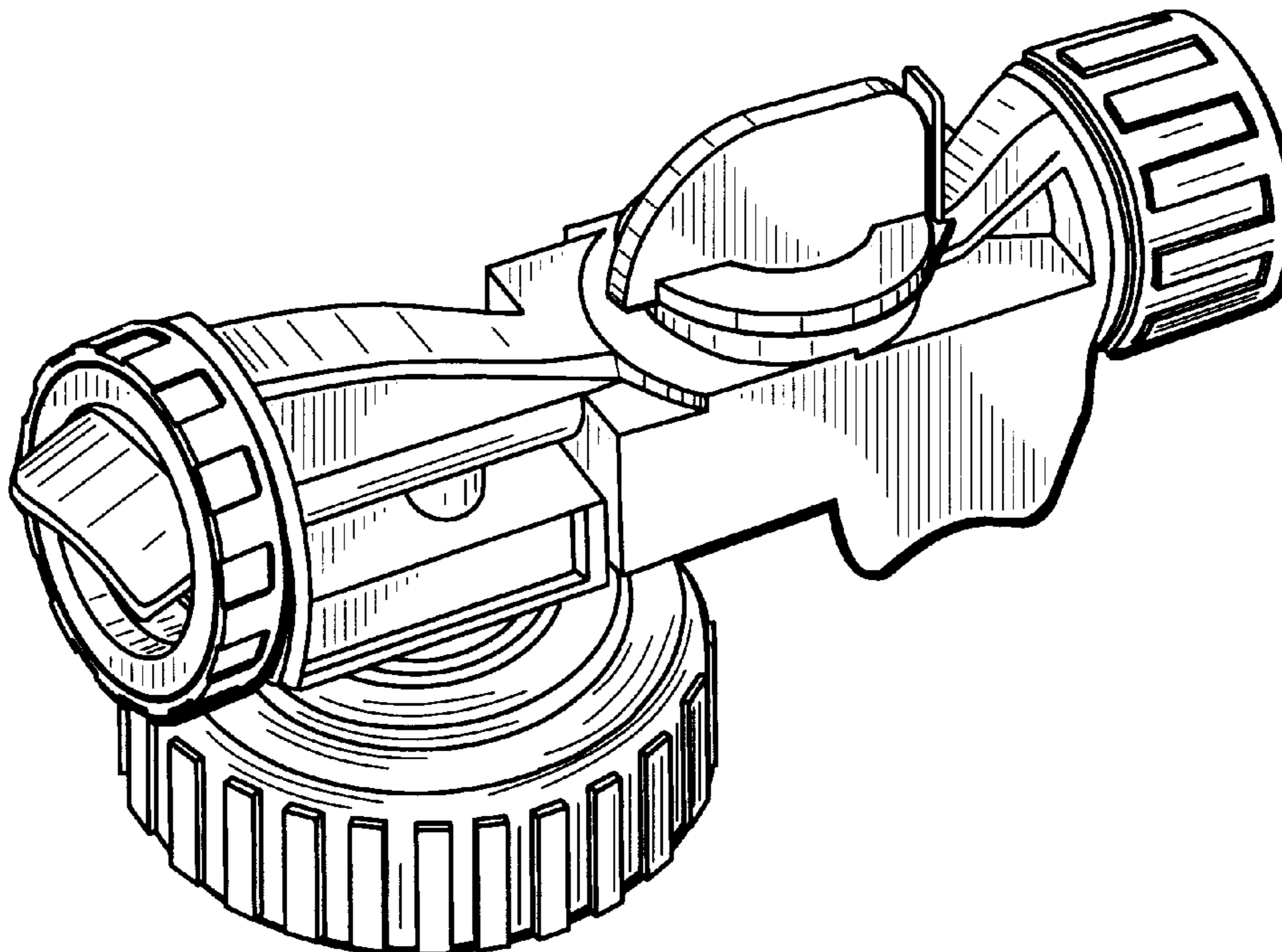
### [57] CLAIM

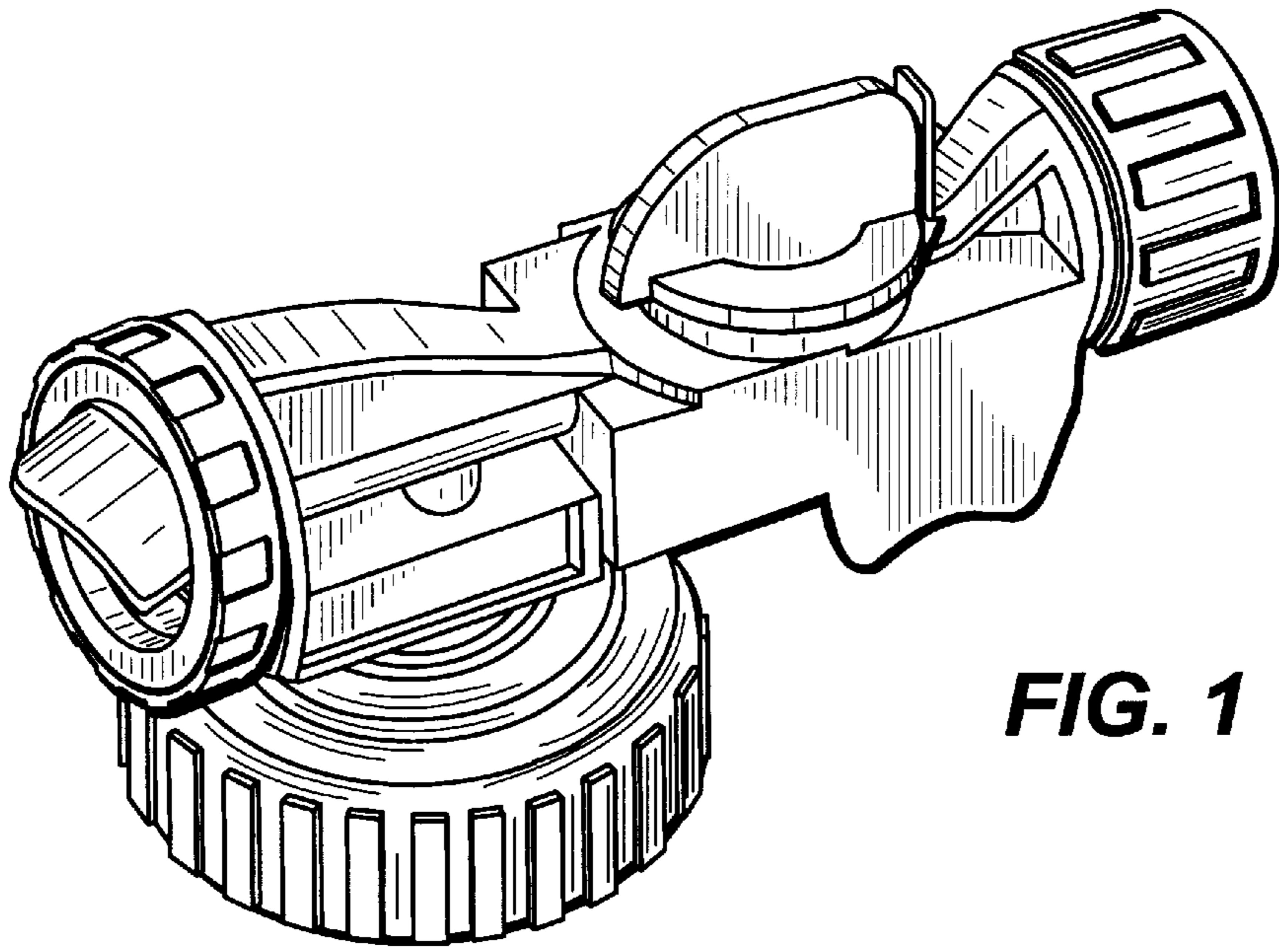
The ornamental design for a sprayer, as shown.

### DESCRIPTION

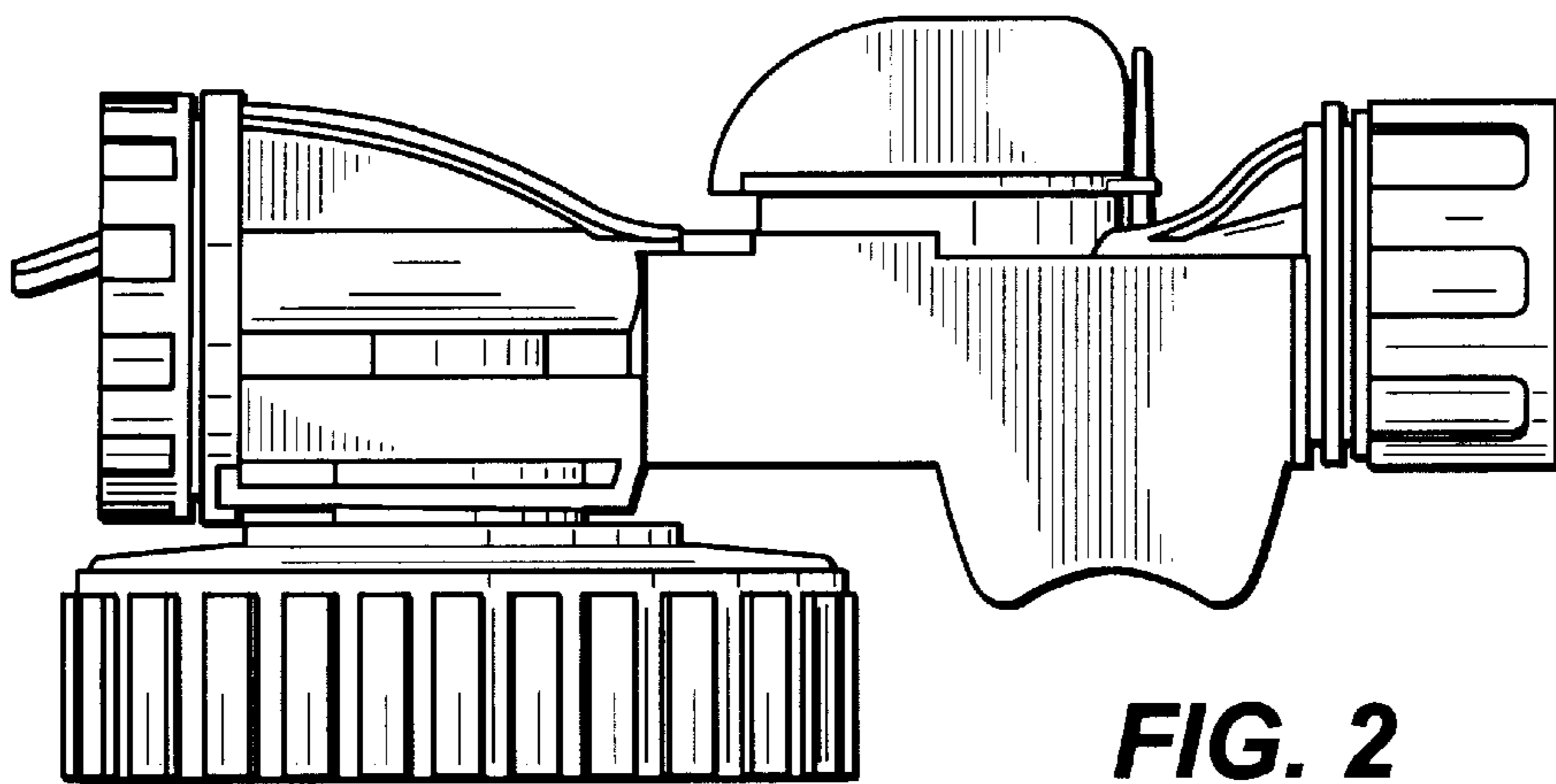
FIG. 1 is a perspective view of our new sprayer;  
FIG. 2 is a left side view of the sprayer shown in FIG. 1;  
FIG. 3 is a right side view of the sprayer shown in FIG. 1;  
FIG. 4 is a front view of the sprayer shown in FIG. 1;  
FIG. 5 is a rear view of the sprayer shown in FIG. 1;  
FIG. 6 is a top plan view of the sprayer shown in FIG. 1; and,  
FIG. 7 is a bottom plan view of the sprayer shown in FIG. 1.

**1 Claim, 2 Drawing Sheets**

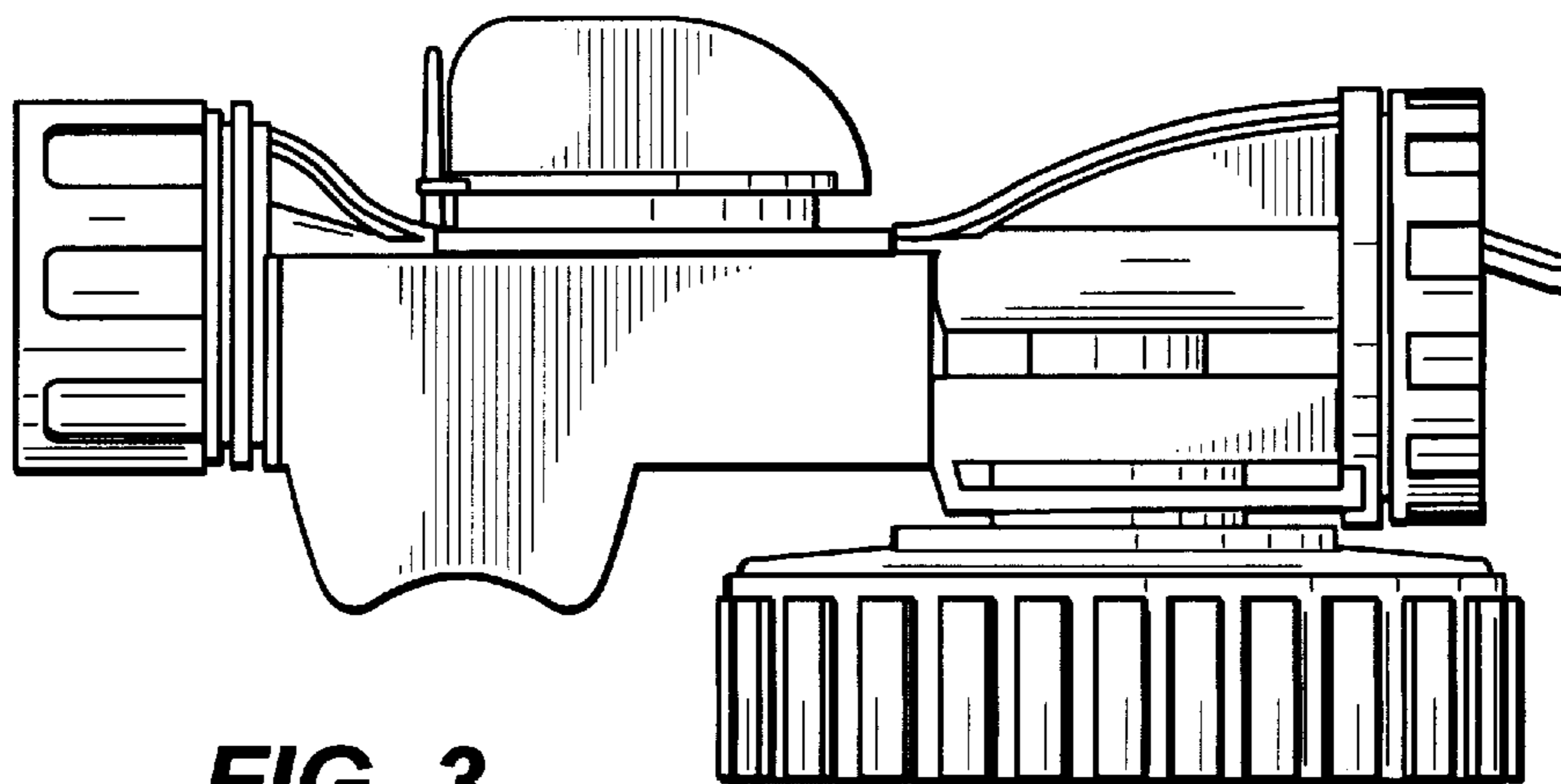




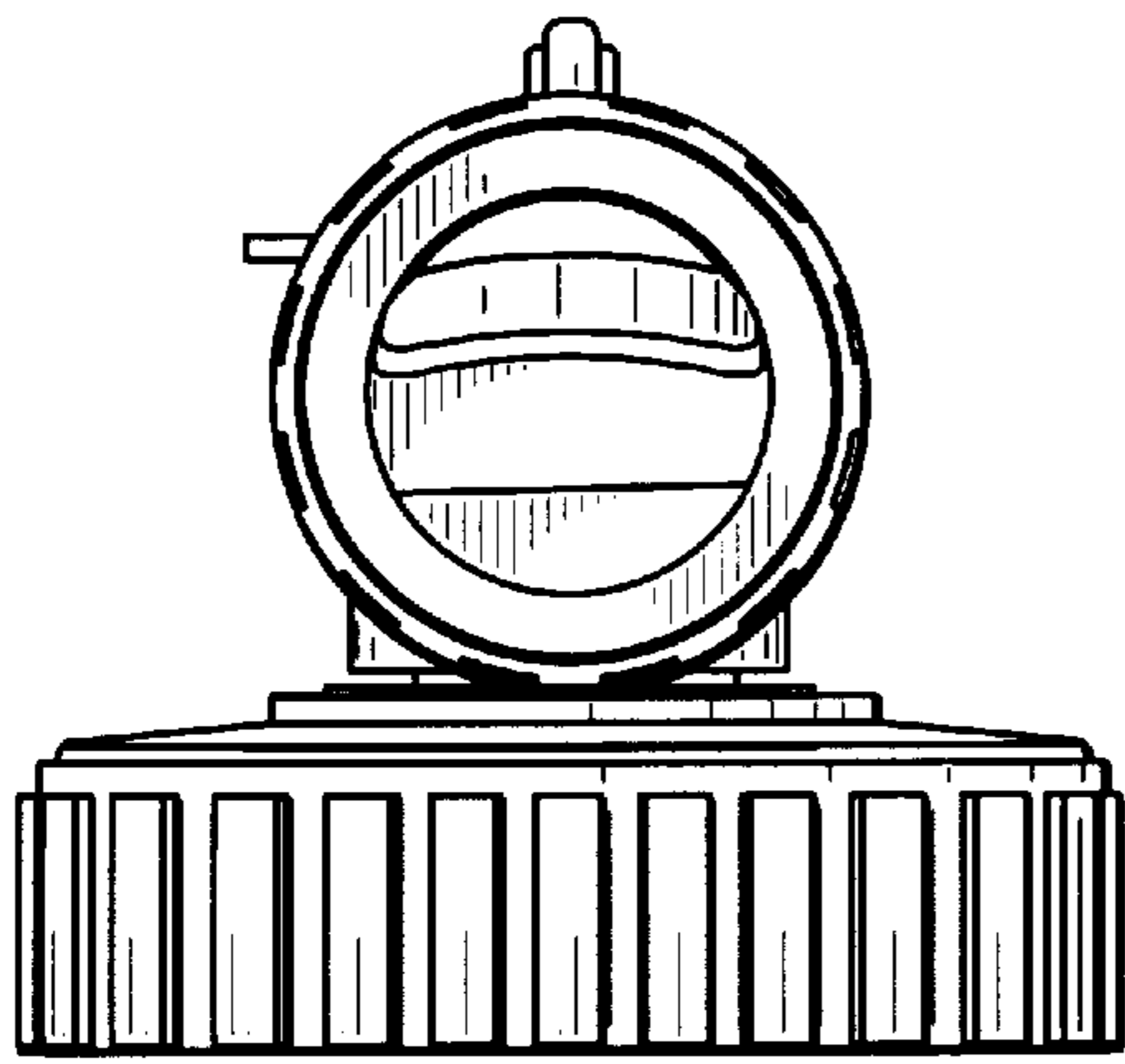
**FIG. 1**



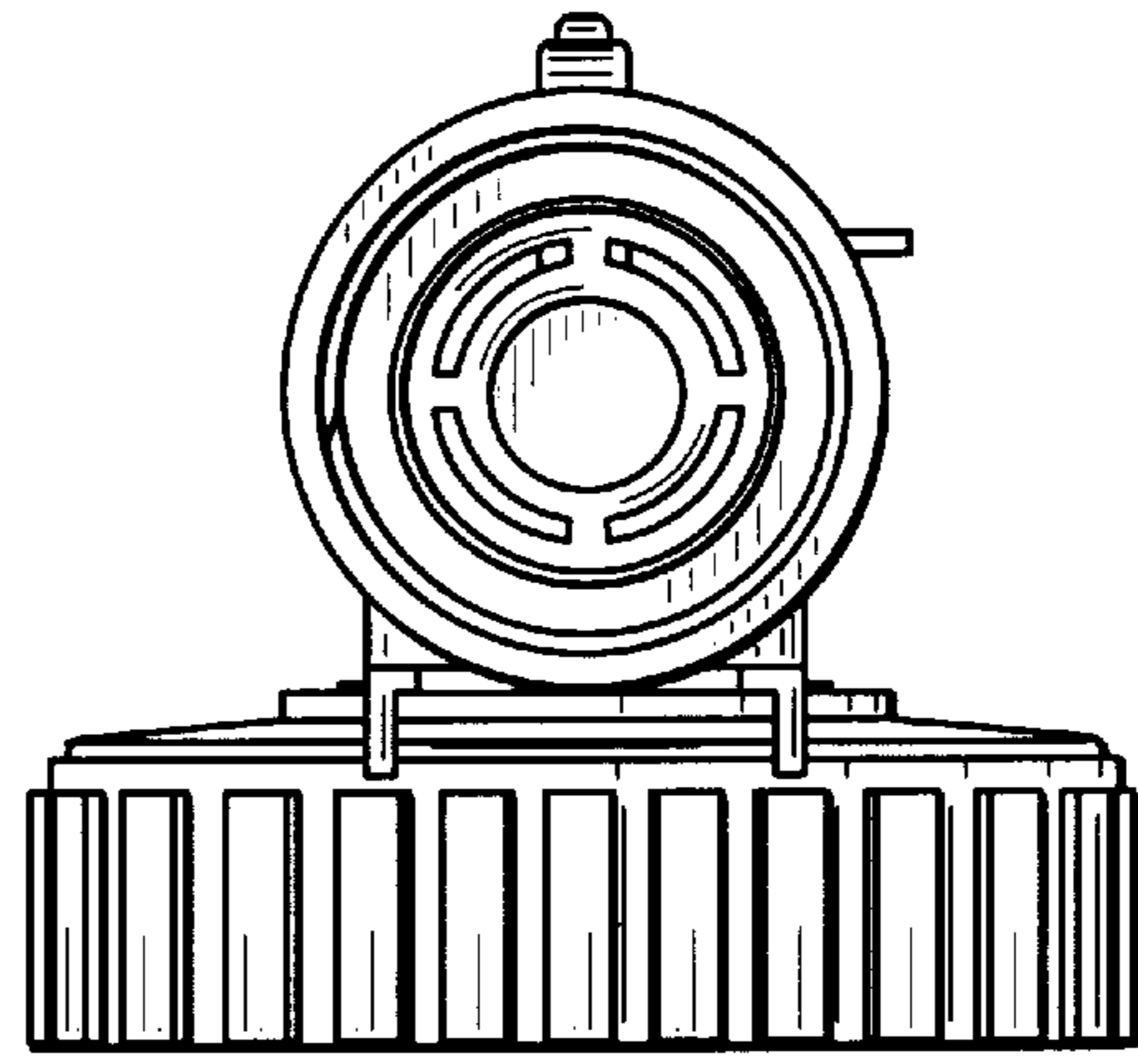
**FIG. 2**



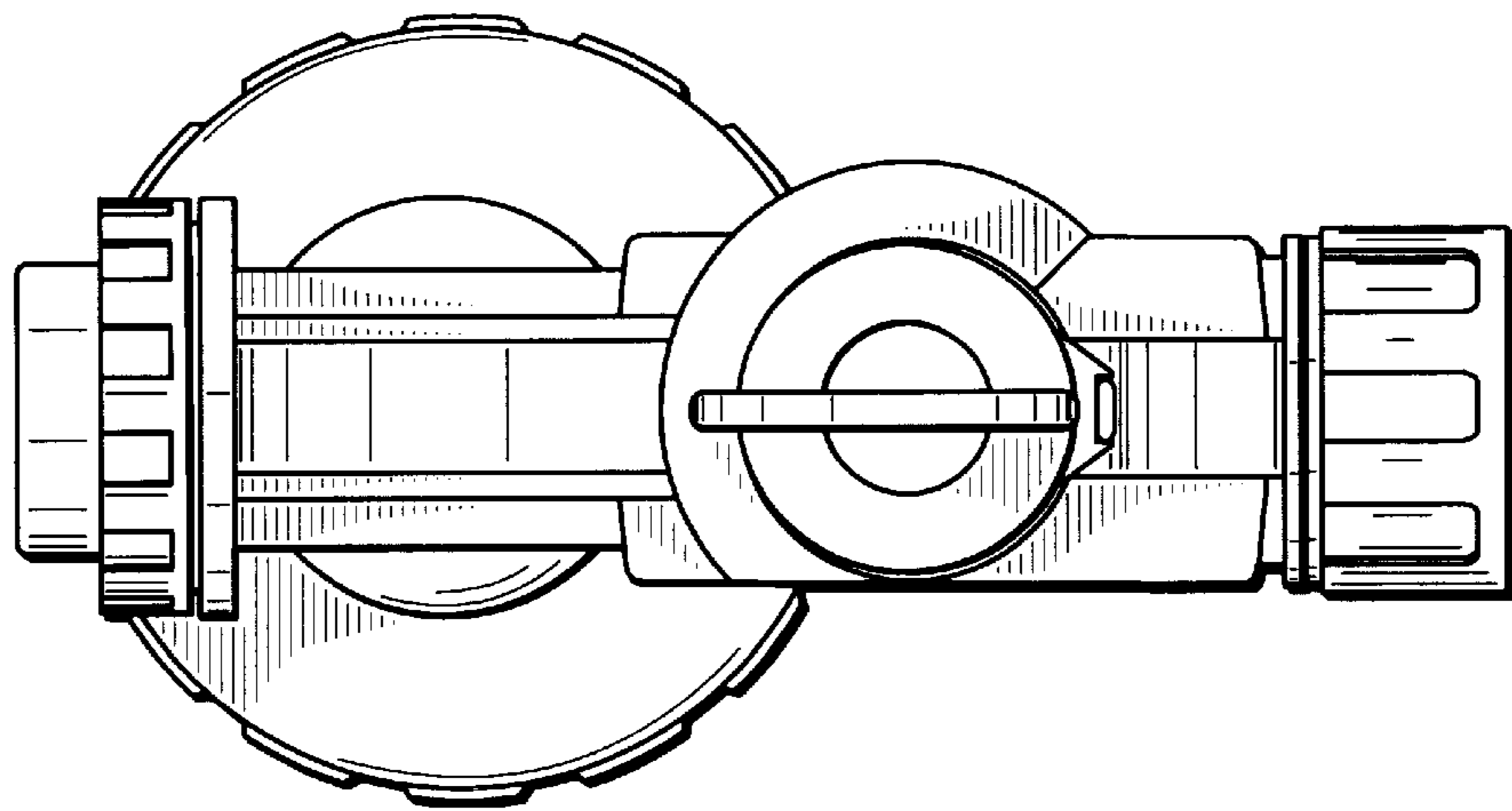
**FIG. 3**



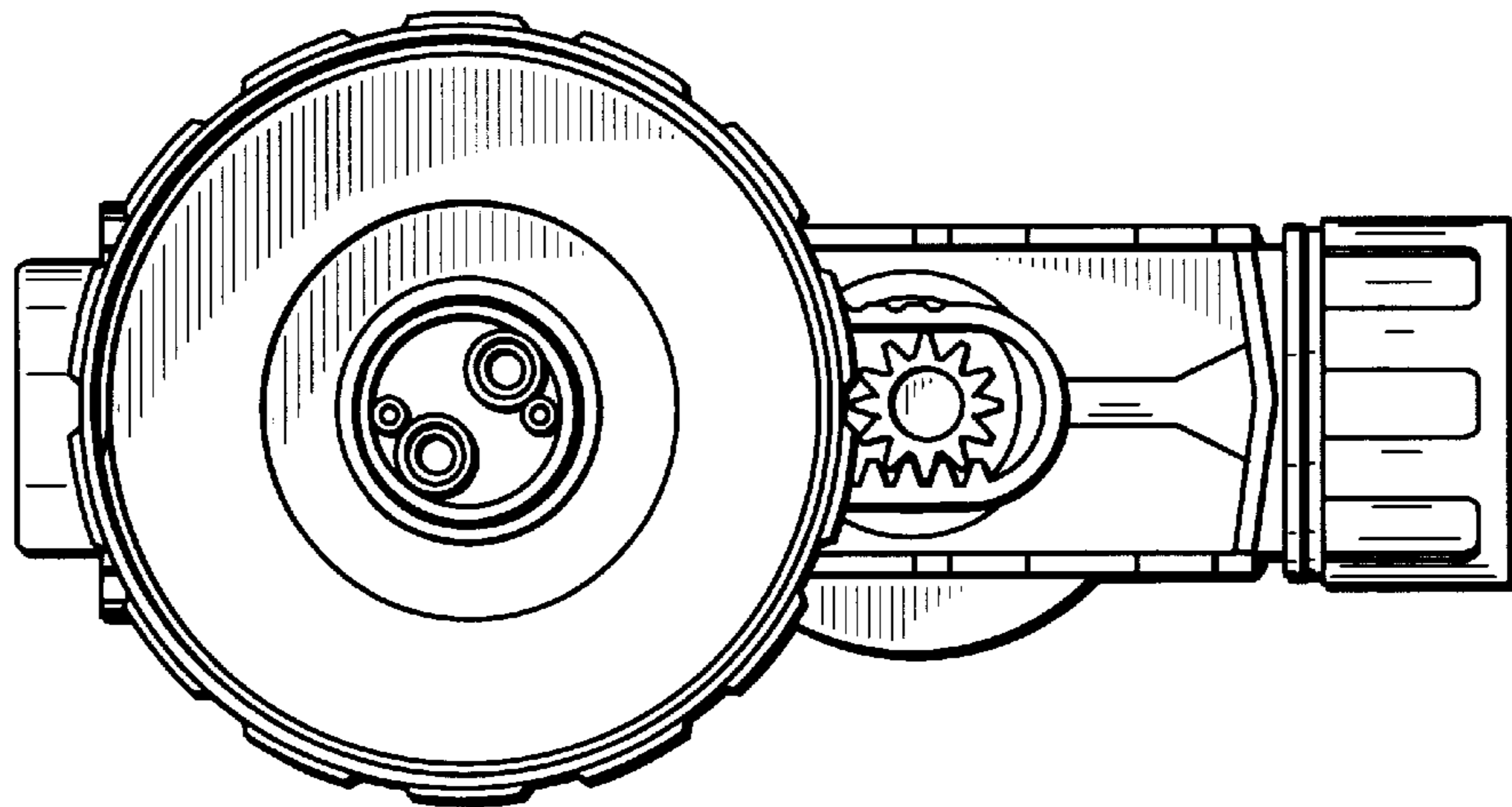
**FIG. 4**



**FIG. 5**



**FIG. 6**



**FIG. 7**