



US00D433094S

United States Patent [19]
Magnusson et al.

[11] **Patent Number: Des. 433,094**
[45] **Date of Patent: ** Oct. 31, 2000**

[54] **CARTRIDGE CONNECTOR**

[75] Inventors: **Jan H. Magnusson**, Mahtomedi; **Alan Lonneman**, Plymouth; **David M. Botts**, Minneapolis, all of Minn.

[73] Assignee: **PentaPure Incorporated**, West St. Paul, Minn.

[**] Term: **14 Years**

[21] Appl. No.: **29/107,962**

[22] Filed: **Jul. 16, 1999**

Related U.S. Application Data

[60] Continuation of application No. 08/984,893, Dec. 4, 1997, which is a division of application No. 08/695,134, Aug. 8, 1996, Pat. No. 5,753,107.

[51] **LOC (7) Cl.** **23-01**

[52] **U.S. Cl.** **D23/209**

[58] **Field of Search** D23/200, 207, D23/209; 210/109, 435, 235, 443-4

[56] **References Cited**

U.S. PATENT DOCUMENTS

D. 334,614	4/1993	Biltoft et al.	D23/209
2,808,754	10/1957	Pudio .	
2,809,754	10/1957	Pudlo	210/443
2,858,026	10/1958	Lorimer	210/444
3,746,171	7/1973	Thomsen .	
4,515,692	5/1985	Chandler et al. .	

4,877,521	10/1989	Petrucci et al. .	
4,915,831	4/1990	Taylor	210/443
4,923,601	5/1990	Slovak et al. .	
5,126,044	6/1992	Drori .	
5,269,919	12/1993	Von Medlin .	
5,328,609	7/1994	Magnusson et al. .	
5,336,406	8/1994	Stanford et al. .	
5,354,464	10/1994	Magnusson et al. .	
5,486,288	1/1996	Stanford	210/443
5,562,824	10/1996	Magnusson .	
5,591,332	1/1997	Reid et al.	210/235
5,779,903	7/1998	Smith et al.	210/444

FOREIGN PATENT DOCUMENTS

2458784	6/1976	Germany .
2719875	11/1978	Germany .
1566502	4/1980	United Kingdom .

Primary Examiner—Robin V. Taylor
Attorney, Agent, or Firm—Patterson, Thuente & Skaar, P.A.

[57] **CLAIM**

The ornamental design for cartridge connector, as shown and described.

DESCRIPTION

FIG. 1 is a perspective view of the design subject; FIG. 2 is a front elevational view thereof; FIG. 3 is a right side elevational view thereof with the left side being a mirror image; FIG. 4 is a bottom plan view; and, FIG. 5 is a top plan view thereof.

1 Claim, 2 Drawing Sheets

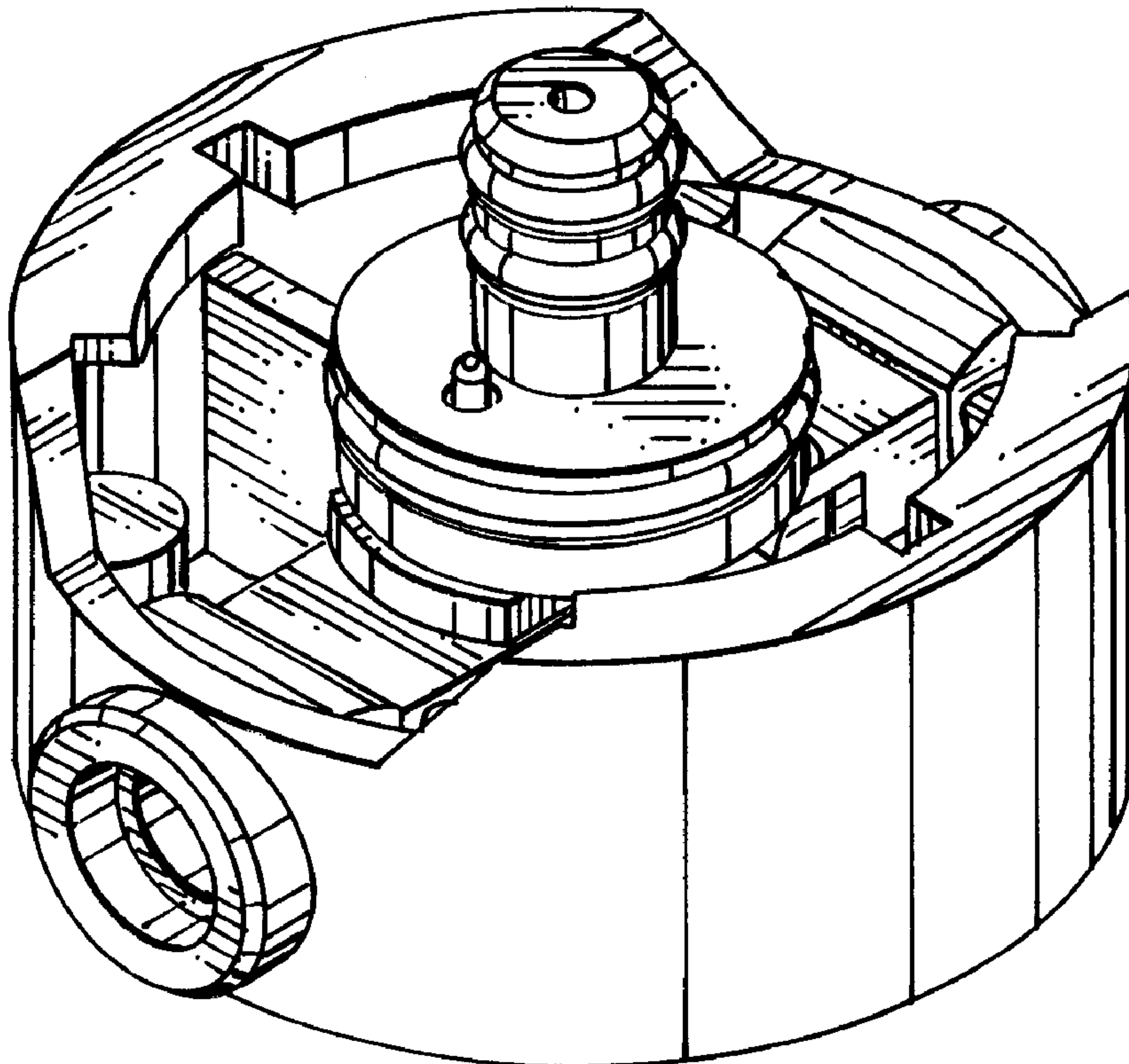


Fig. 1

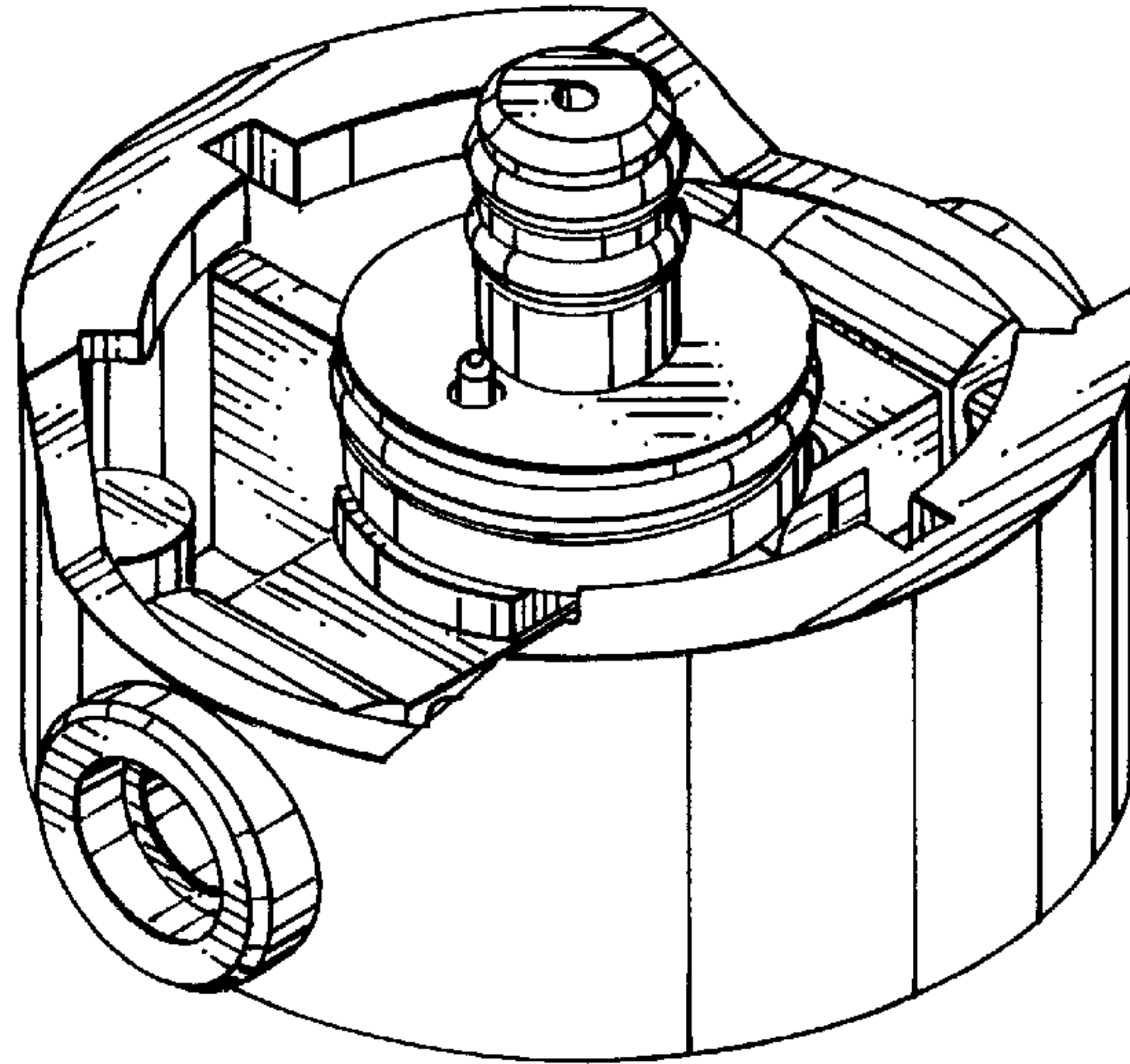


Fig. 2

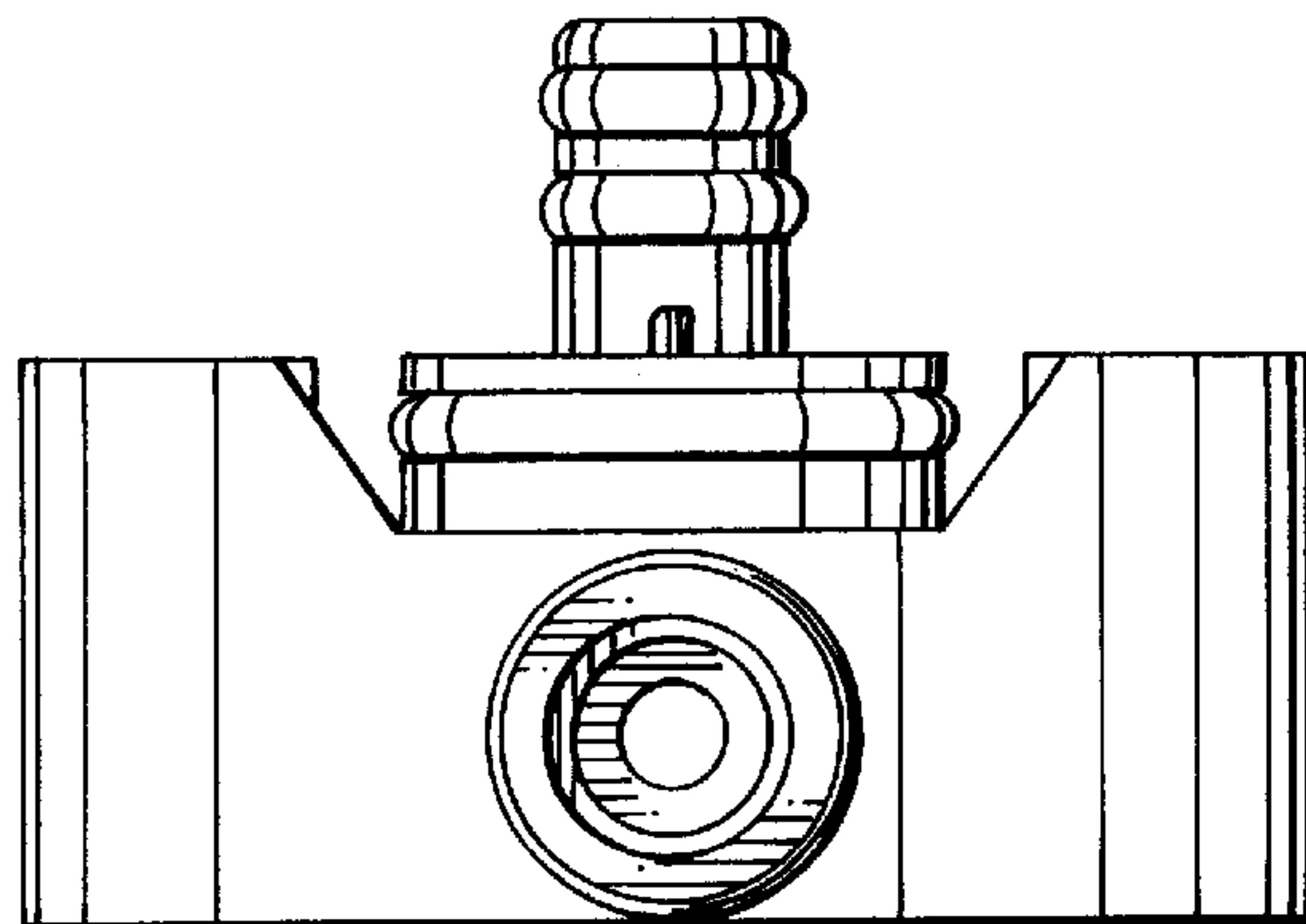


Fig. 3

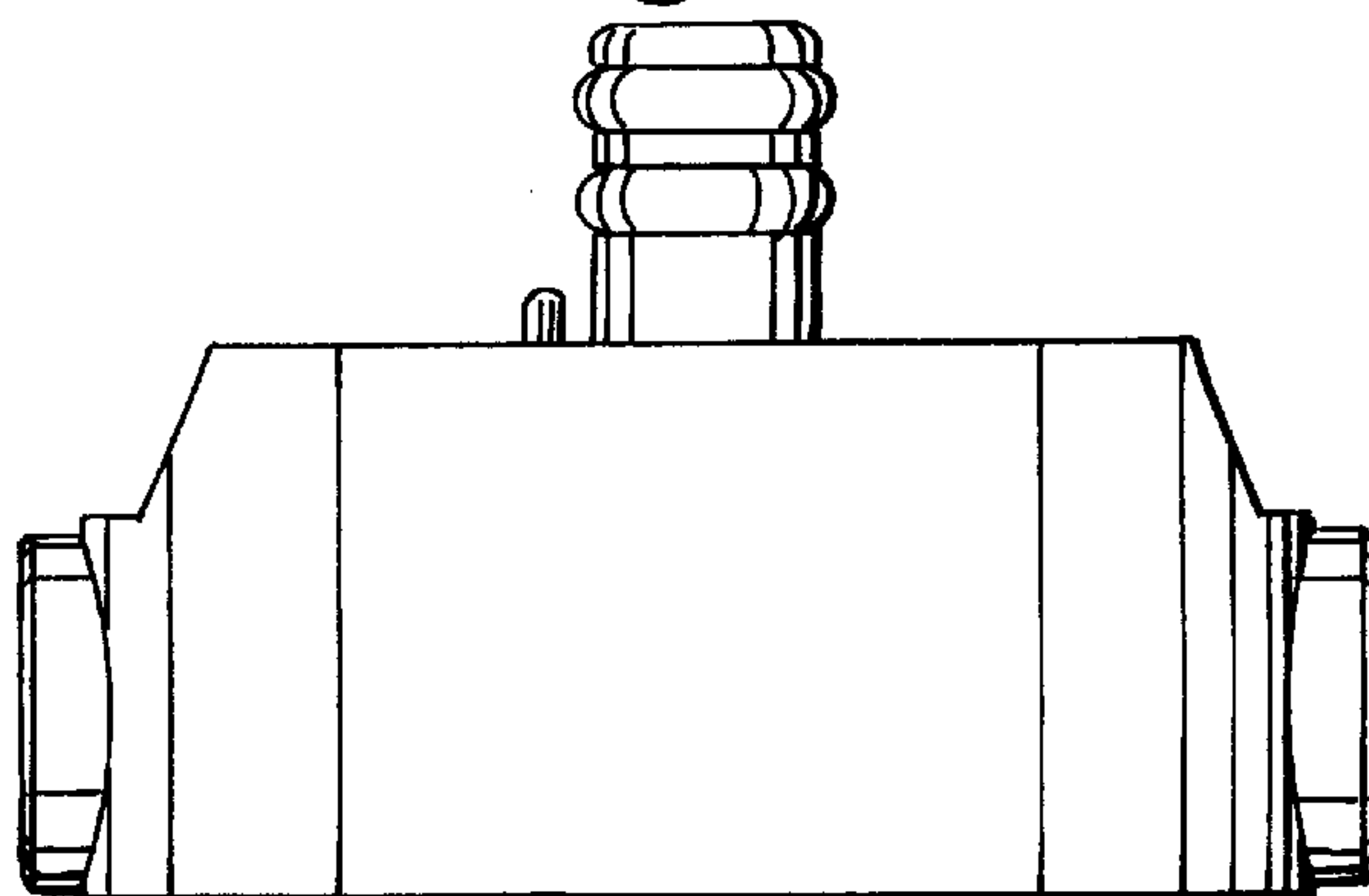


Fig. 4

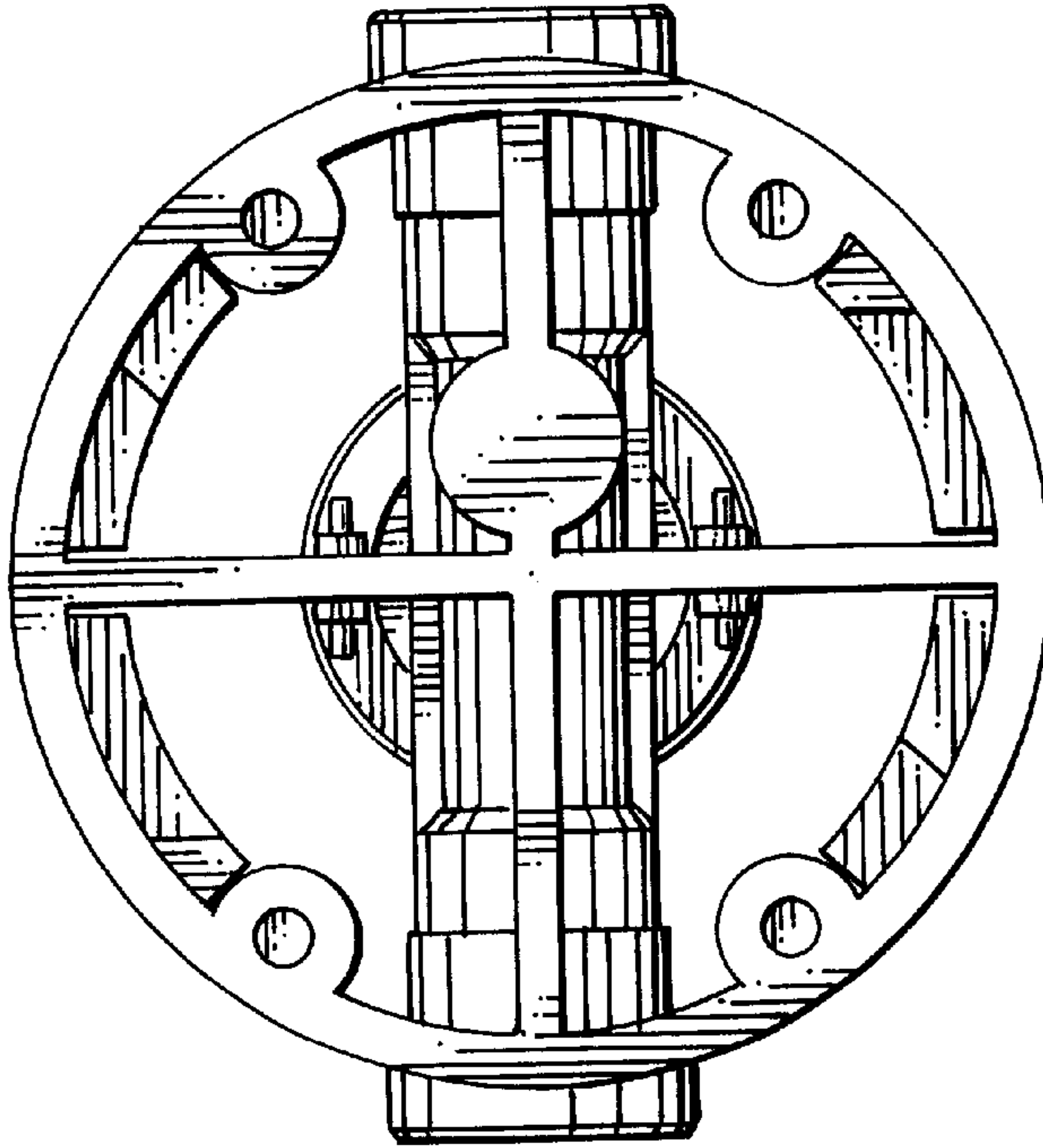


Fig. 5

