



US00D433088S

United States Patent [19] Galy

[11] Patent Number: Des. 433,088

[45] Date of Patent: ** Oct. 31, 2000

[54] SKATE WHEEL

[75] Inventor: **Phillippe Galy**, Pugnny-Chatenod, France

[73] Assignee: **Salomon S.A.**, Metz-Tessy, France

[**] Term: **14 Years**

[21] Appl. No.: **29/110,663**

[22] Filed: **Sep. 13, 1999**

[30] Foreign Application Priority Data

Mar. 19, 1999 [XH] Hague Agreement DM/047180

[51] LOC (7) Cl. **21-02**

[52] U.S. Cl. **D21/779**

[58] Field of Search D21/760, 763-765, D21/779, 563; D12/207, 208; 280/11.19, 11.22, 11.27, 11.26, 11.2; 301/5.3, 5.7

[56] References Cited

U.S. PATENT DOCUMENTS

- D. 380,804 7/1997 Gulla et al. D21/779
- D. 397,390 8/1998 Portzline D21/779
- D. 421,083 2/2000 Chen D21/779

- 5,897,170 4/1999 Keleny 280/11.22
- 5,967,618 10/1999 Wimmer et al. 301/5.3
- 5,979,992 11/1999 Calderone et al. 301/5.3
- 6,039,330 3/2000 Hoskin 280/11.22

OTHER PUBLICATIONS

“Automobile”, p. 103, Sep. 1996.

Primary Examiner—Raphael Barkai
Attorney, Agent, or Firm—Greenblum & Bernstein, P.L.C.

[57] CLAIM

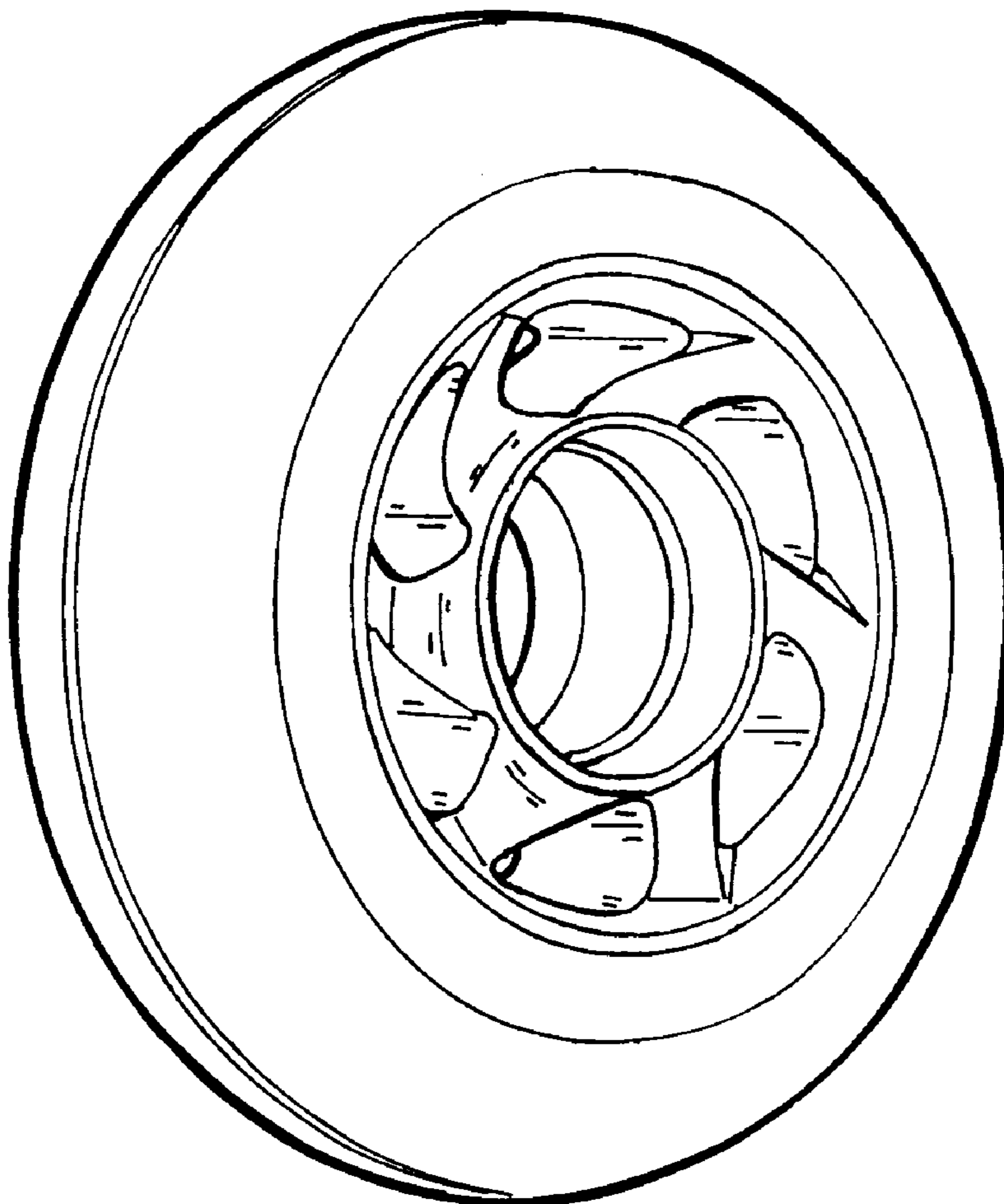
I claim the ornamental design for a skate wheel, as shown and described.

DESCRIPTION

FIG. 1 is a perspective view of a skate wheel, showing my new design;
FIG. 2 is an end elevation view thereof; and,
FIG. 3 is a side elevation view thereof.

The surface of the wheel of the invention, visible in FIGS. 1 and 2, extends around the periphery of the wheel uniformly, and the side of the wheel of the invention opposite to the side shown in FIG. 3 is a mirror image of FIG. 3.

1 Claim, 1 Drawing Sheet



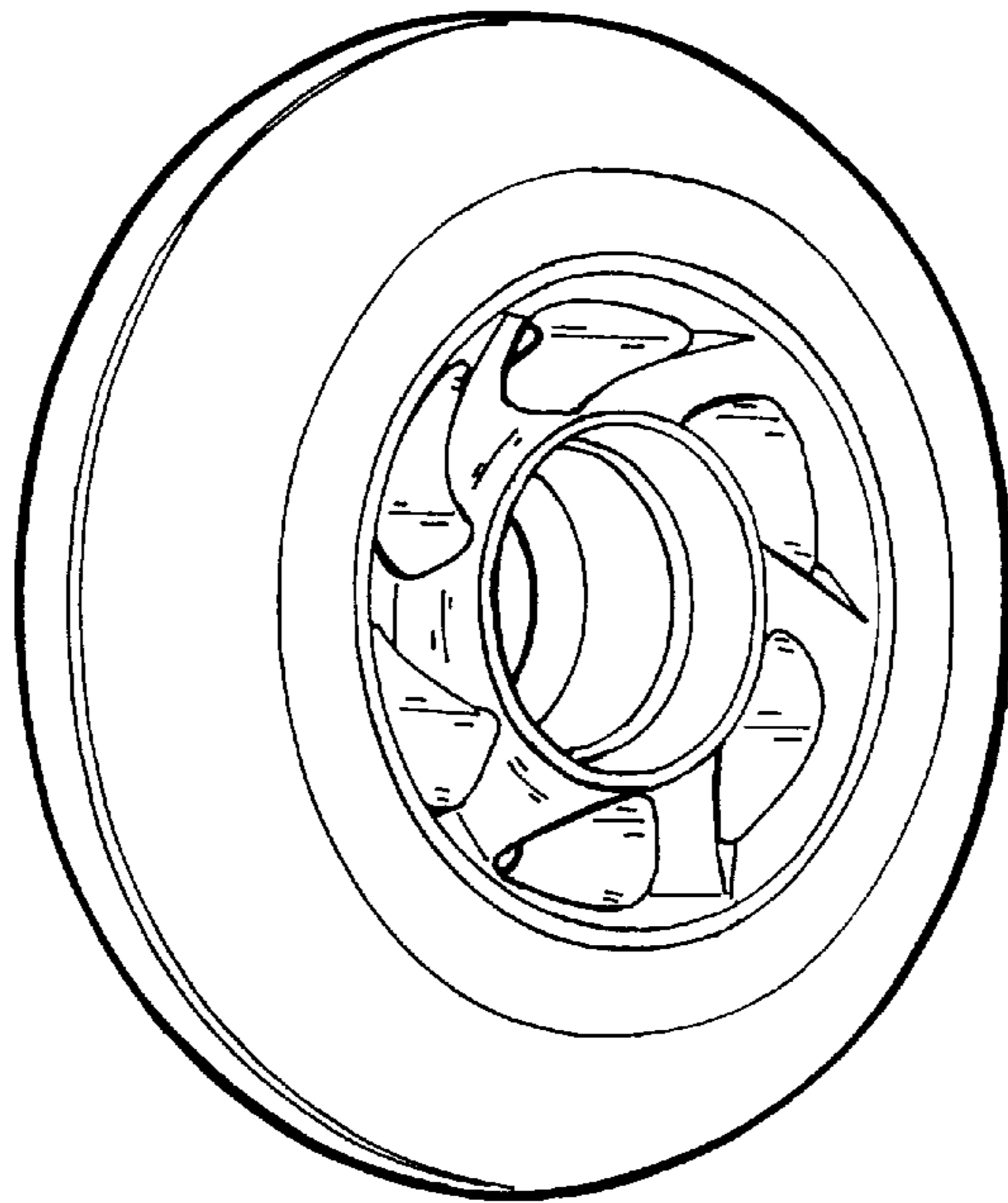


FIG. 1

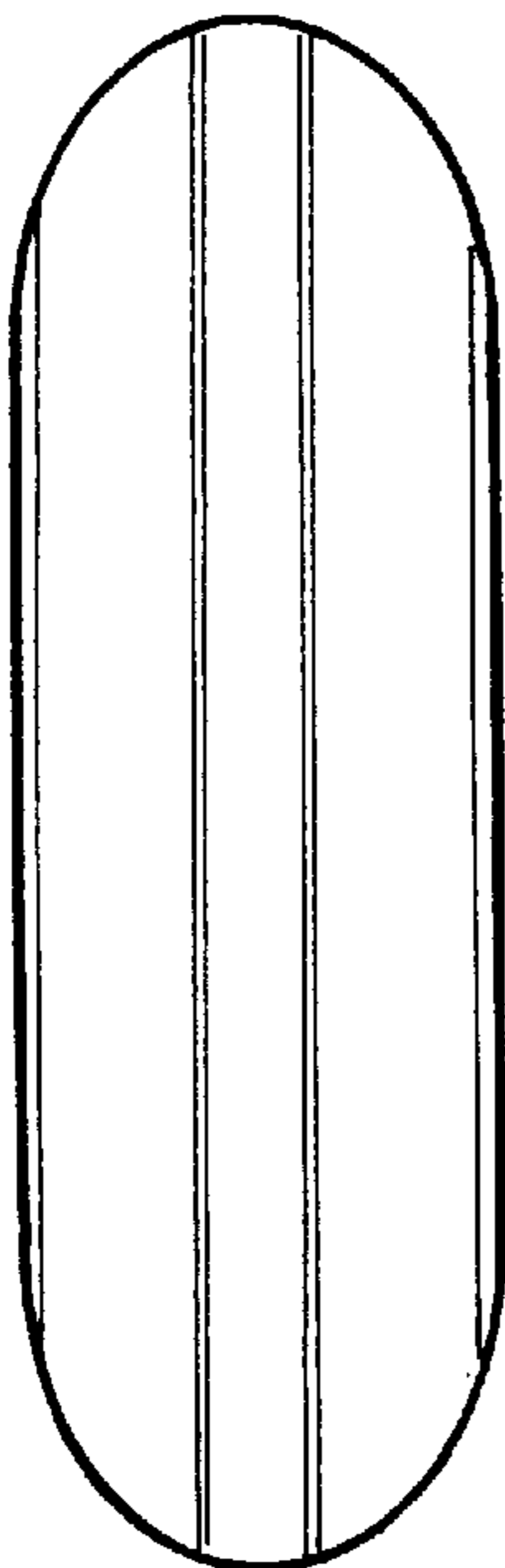


FIG. 2

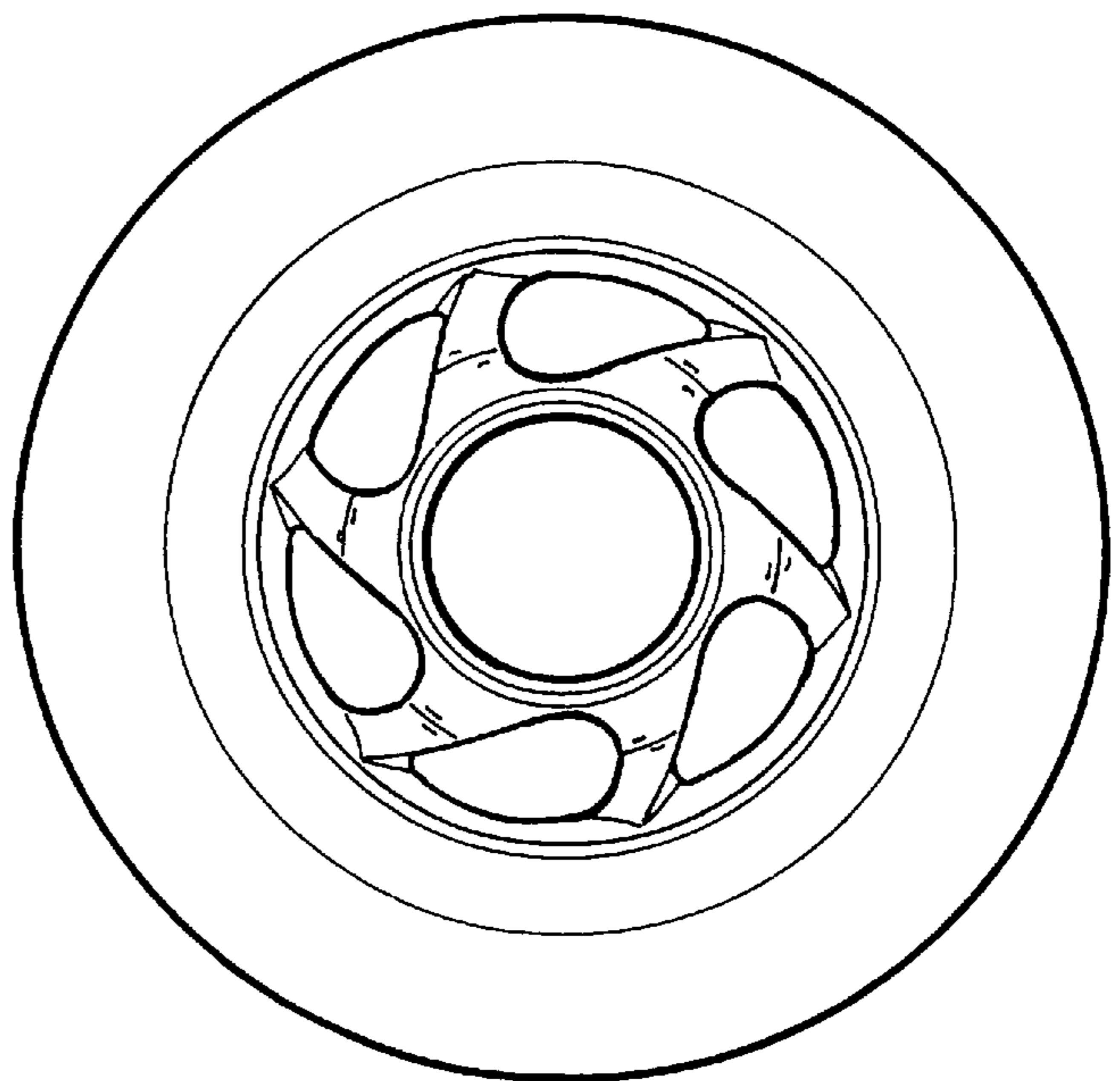


FIG. 3