



US00D433079S

United States Patent [19]
Zimmerman

[11] **Patent Number: Des. 433,079**

[45] **Date of Patent: ** Oct. 31, 2000**

[54] **WATER GUN**

[75] **Inventor: Jeffrey Zimmerman, King of Prussia, Pa.**

[73] **Assignee: Larami Limited, Mt. Laurel, N.J.**

[**] **Term: 14 Years**

[21] **Appl. No.: 29/111,234**

[22] **Filed: Sep. 20, 1999**

[51] **LOC (7) Cl. 21-01**

[52] **U.S. Cl. D21/572**

[58] **Field of Search** D21/567-575;
D23/225-226; D22/103; D14/117.8; 446/267,
473, 475; 222/78-79; 239/211, 237, 329,
373; 124/6, 16, 73-76

[56] **References Cited**

U.S. PATENT DOCUMENTS

D. 157,100 1/1950 Steiner D21/572

D. 190,648 6/1961 Goody D21/574
D. 261,908 11/1981 Steinberg D21/572
D. 338,508 8/1993 Kuo D21/575
D. 413,364 8/1999 D'Andrade D21/572
5,799,827 9/1998 D'Andrade 222/79

Primary Examiner—Raphael Barkai
Attorney, Agent, or Firm—Akin, Gump, Strauss, Haller & Feld, L.L.P.

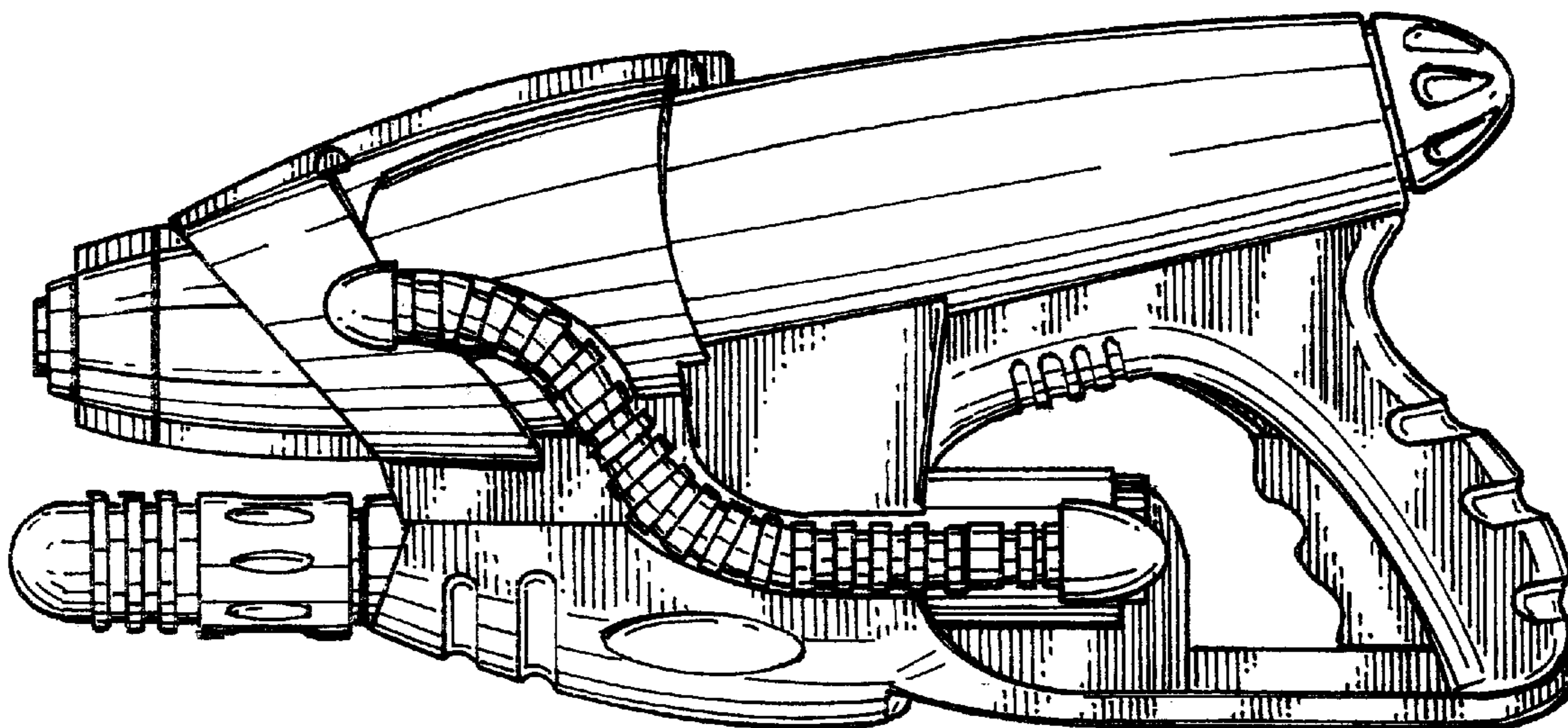
[57] **CLAIM**

The ornamental design for the water gun, as shown and described.

DESCRIPTION

FIG. 1 is a right side elevational view of a water gun in accordance with my new design;
FIG. 2 is a left side elevational view thereof;
FIG. 3 is a rear elevational view thereof;
FIG. 4 is a bottom view thereof;
FIG. 5 is a front elevational view thereof; and,
FIG. 6 is a top view thereof.

1 Claim, 2 Drawing Sheets



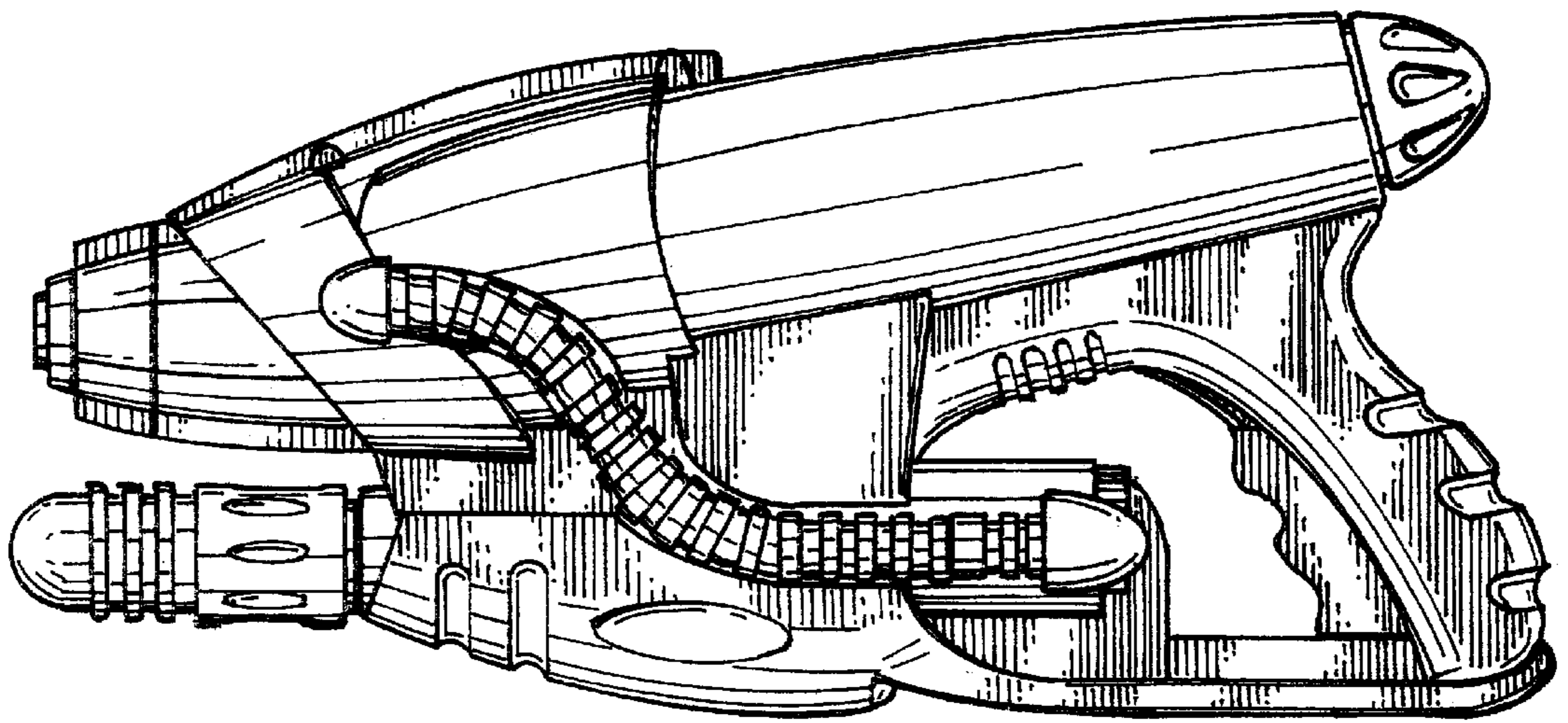


FIG. 1

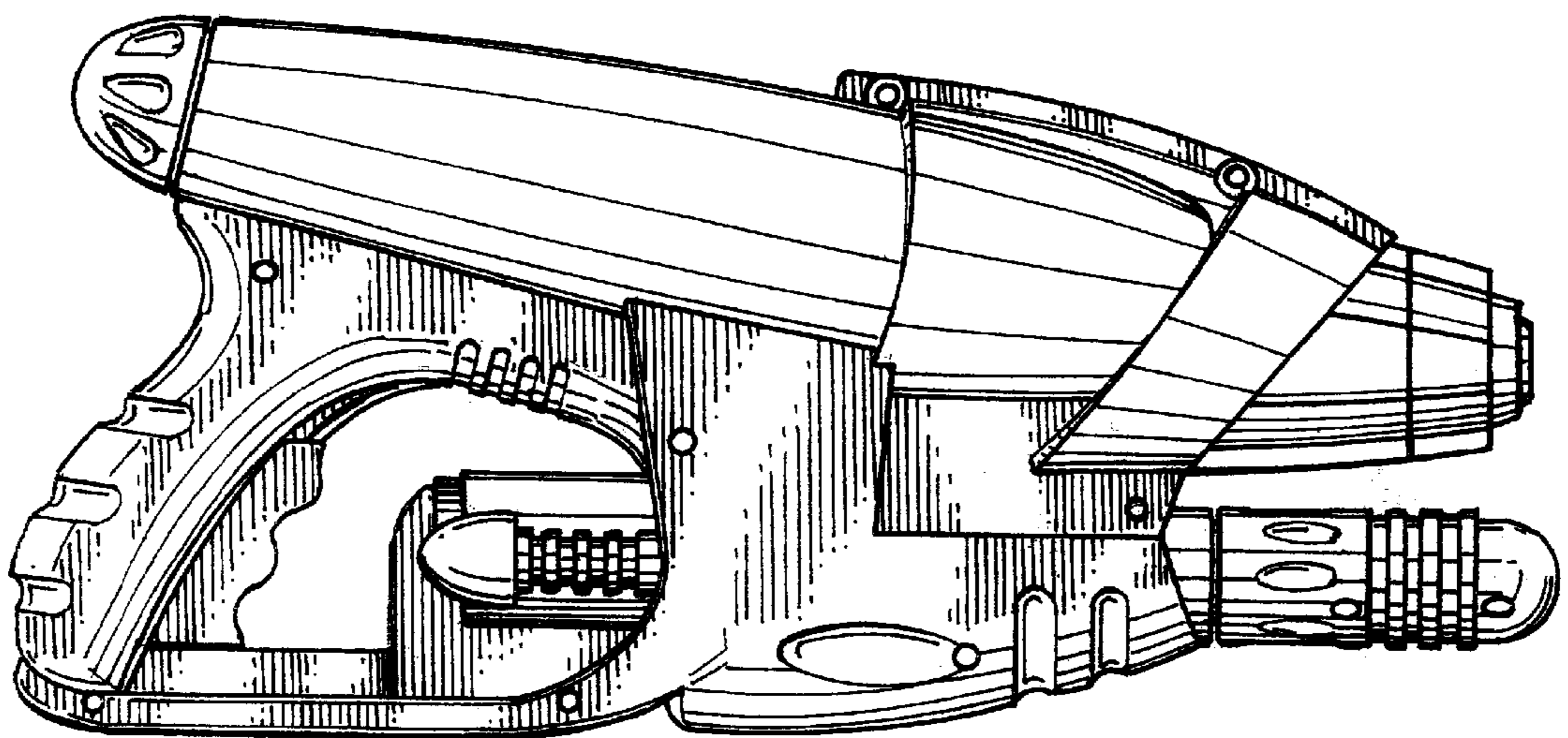


FIG. 2

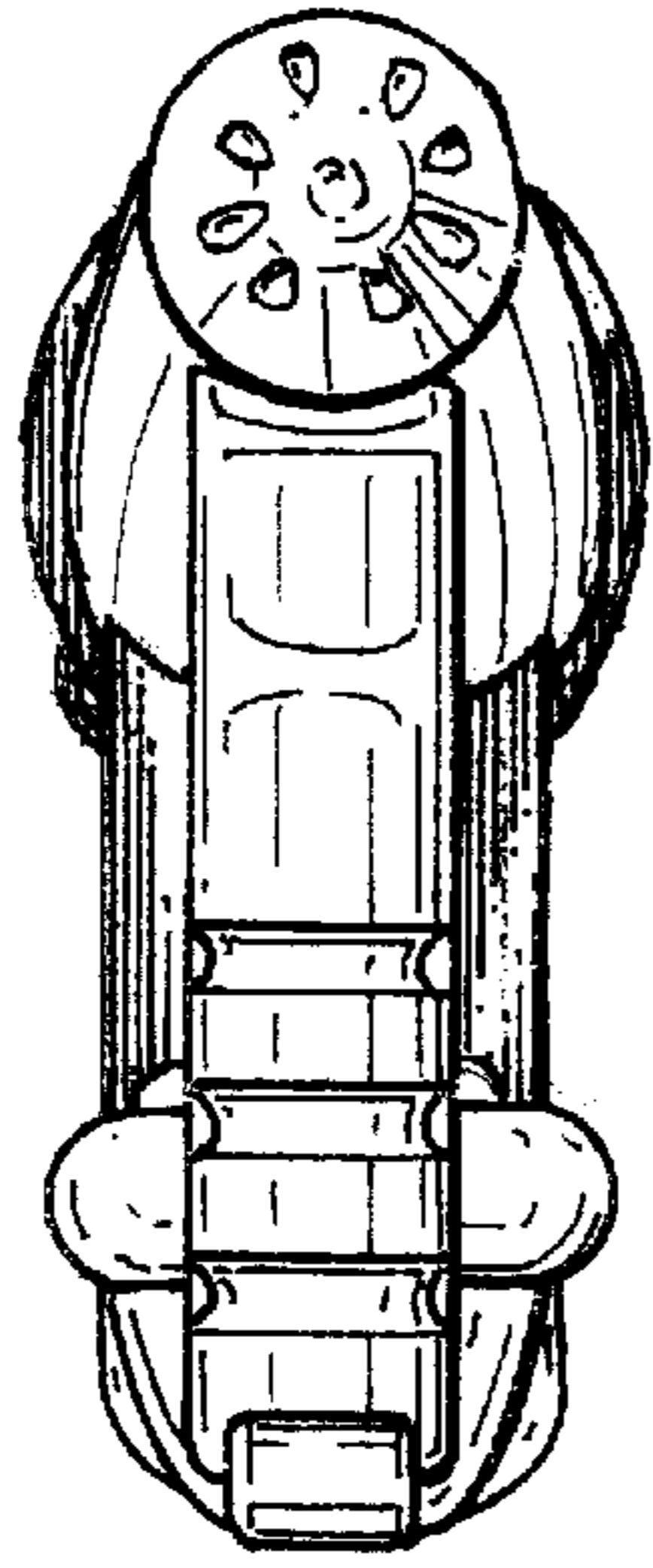


FIG. 3

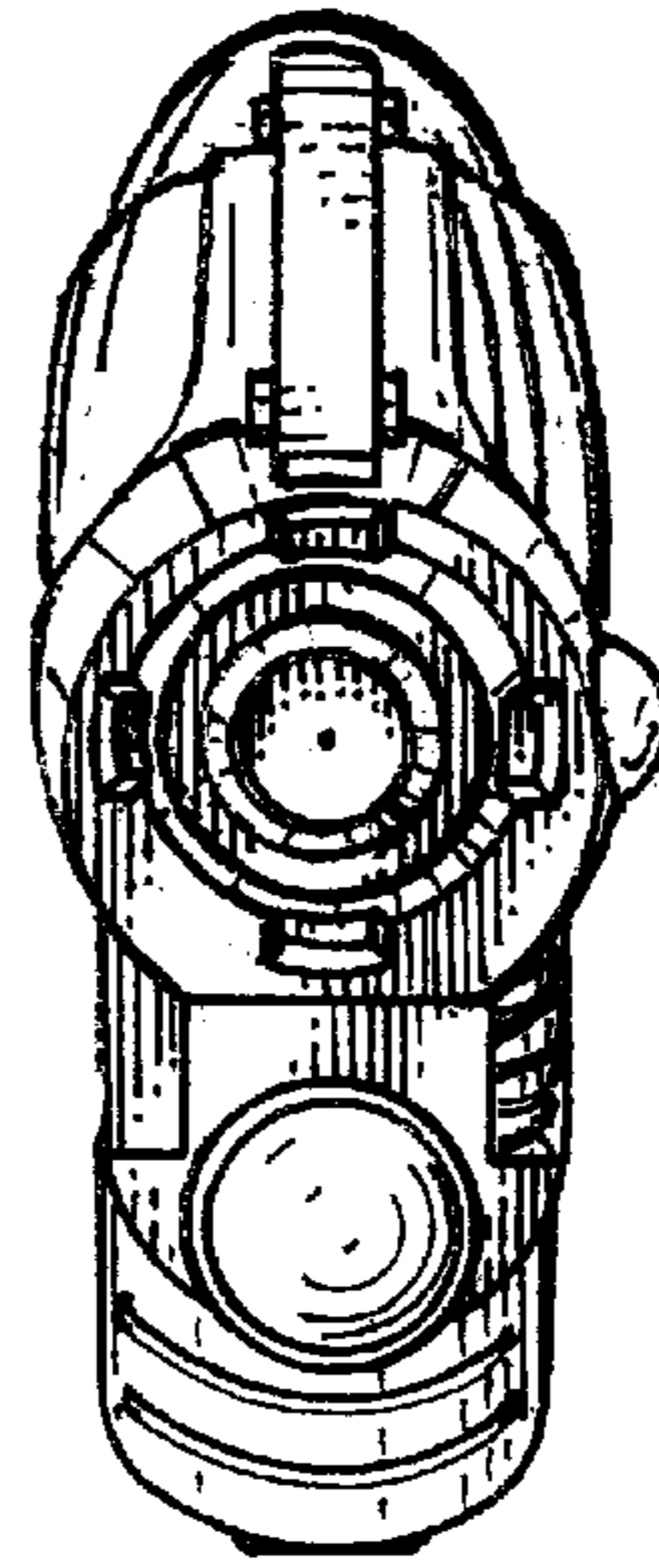


FIG. 5

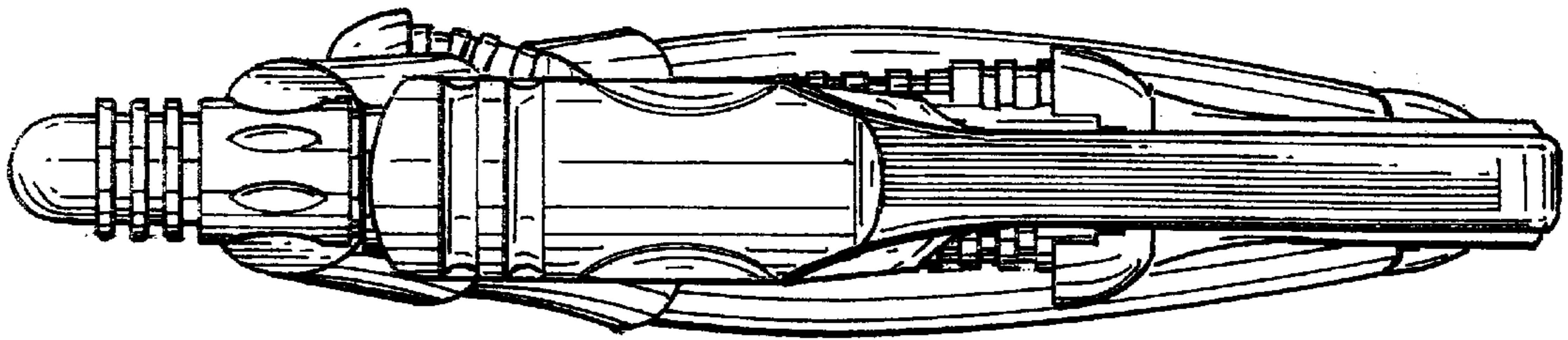


FIG. 4

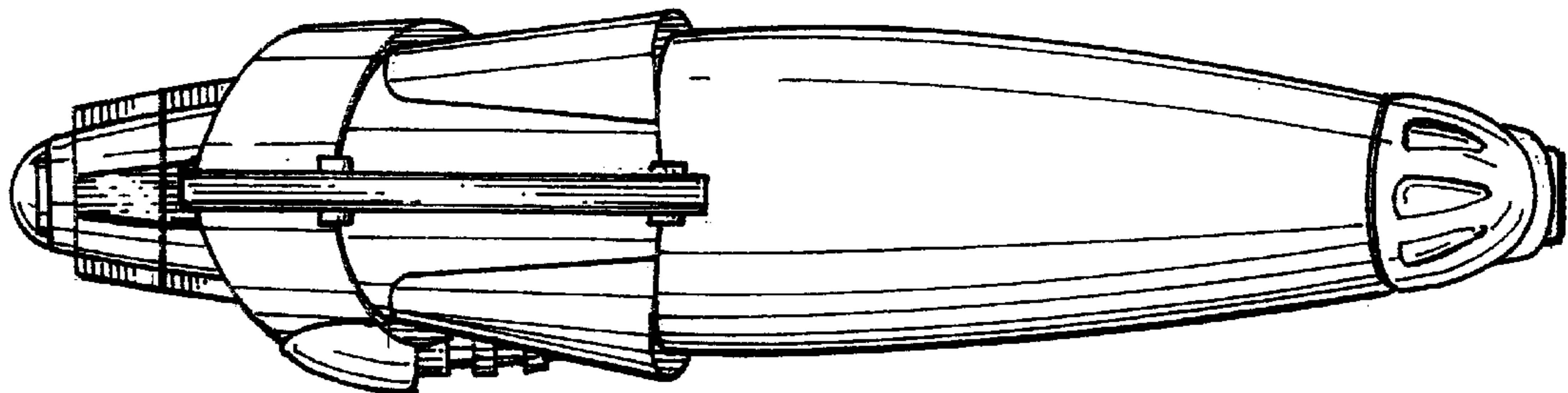


FIG. 6