



US00D433074S

United States Patent [19] Clemmer

[11] **Patent Number: Des. 433,074**

[45] **Date of Patent: ** Oct. 31, 2000**

[54] **HAND HELD ELECTRONIC GAME**

[75] Inventor: **Chris Clemmer**, Dallas, Tex.

[73] Assignee: **Radica China, Ltd.**, Virgin Islands (Br.)

[**] Term: **14 Years**

[21] Appl. No.: **29/098,109**

[22] Filed: **Dec. 21, 1998**

[51] **LOC (7) Cl.** **21-01**

[52] **U.S. Cl.** **D21/324; D21/333**

[58] **Field of Search** D14/117.8, 117.1; D21/324, 325, 328, 333, 573, 574; 463/1, 2, 30-35, 46, 47, 49-52; 273/148 B

[56] **References Cited**

U.S. PATENT DOCUMENTS

D. 253,001	9/1979	Huang	D21/325
D. 316,878	5/1991	Ishiwata	D14/117.8
D. 338,690	8/1993	Smith, III et al.	D14/117.8
D. 353,169	12/1994	Shirai et al.	D14/117.8
D. 385,586	10/1997	Hanatani et al.	D14/117.8
D. 386,543	11/1997	Chikui et al.	D14/117.8
D. 397,371	8/1998	Bagley	.	
D. 399,883	10/1998	Jensen	.	
3,655,192	4/1972	Hall et al.	463/50 X

3,898,747	8/1975	Marshall	463/51 X
4,811,955	3/1989	De Bernardini	463/51
5,351,969	10/1994	Smith, III et al.	463/5
5,569,085	10/1996	Igarashi et al.	463/49

Primary Examiner—Prabhakar Deshmukh
Attorney, Agent, or Firm—Roylance, Abrams, Berdo & Goodman, L.L.P.

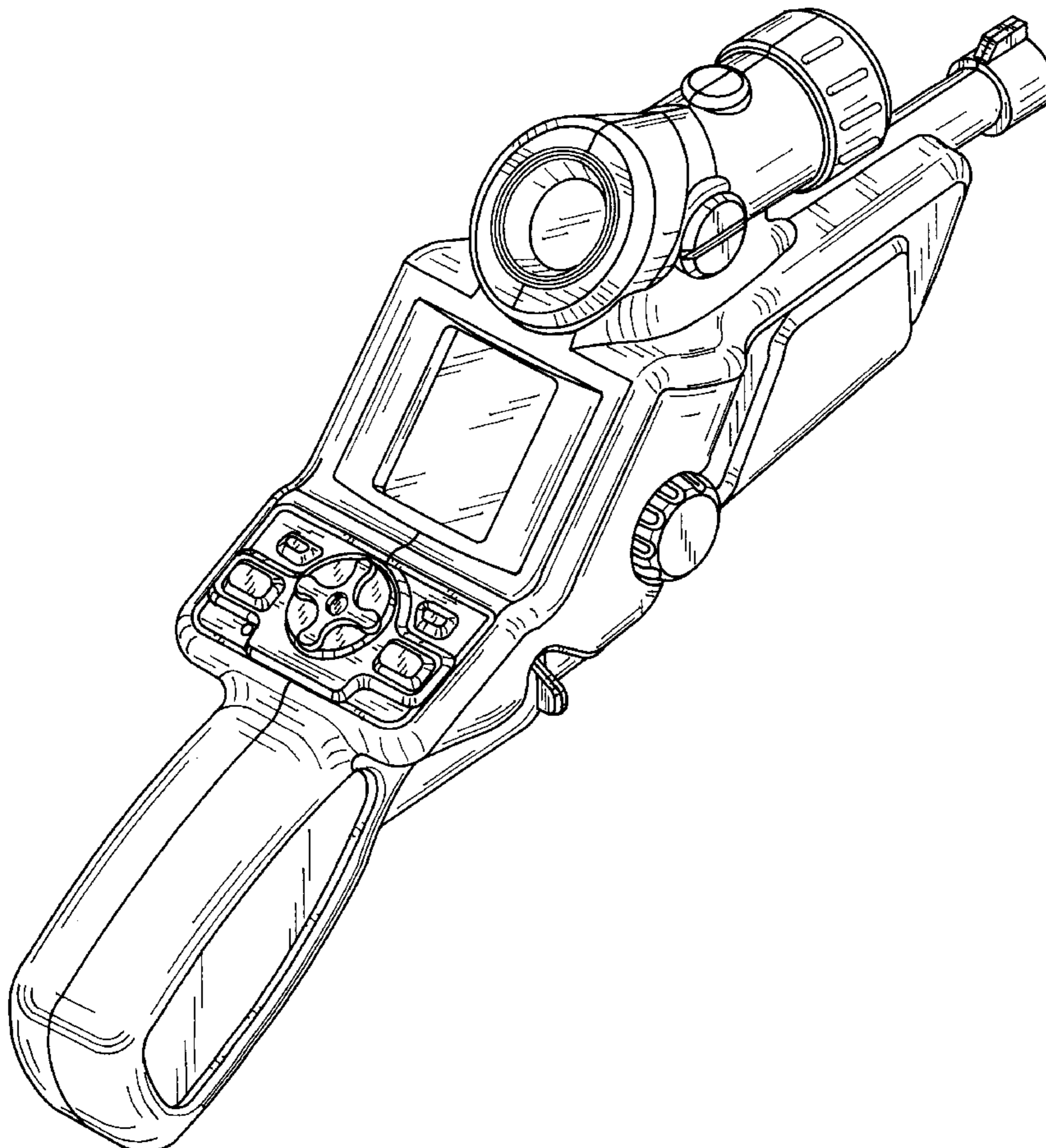
[57] **CLAIM**

The ornamental design for a hand held electronic game, as shown and described.

DESCRIPTION

FIG. 1 is a front, top, right side perspective view of a hand held electronic game in accordance with the new design; FIG. 2 is a front elevational view of the hand held electronic game illustrated in FIG. 1; FIG. 3 is a rear elevational view of the hand held electronic game illustrated in FIGS. 1 and 2; FIG. 4 is a left side elevational view of the hand held electronic game illustrated in FIGS. 1-3; FIG. 5 is a right side elevational view of the hand held electronic game illustrated in FIGS. 1-4; FIG. 6 is a top plan view of the hand held electronic game illustrated in FIGS. 1-5; and, FIG. 7 is a bottom plan view of the hand held electronic game illustrated in FIGS. 1-6.

1 Claim, 7 Drawing Sheets



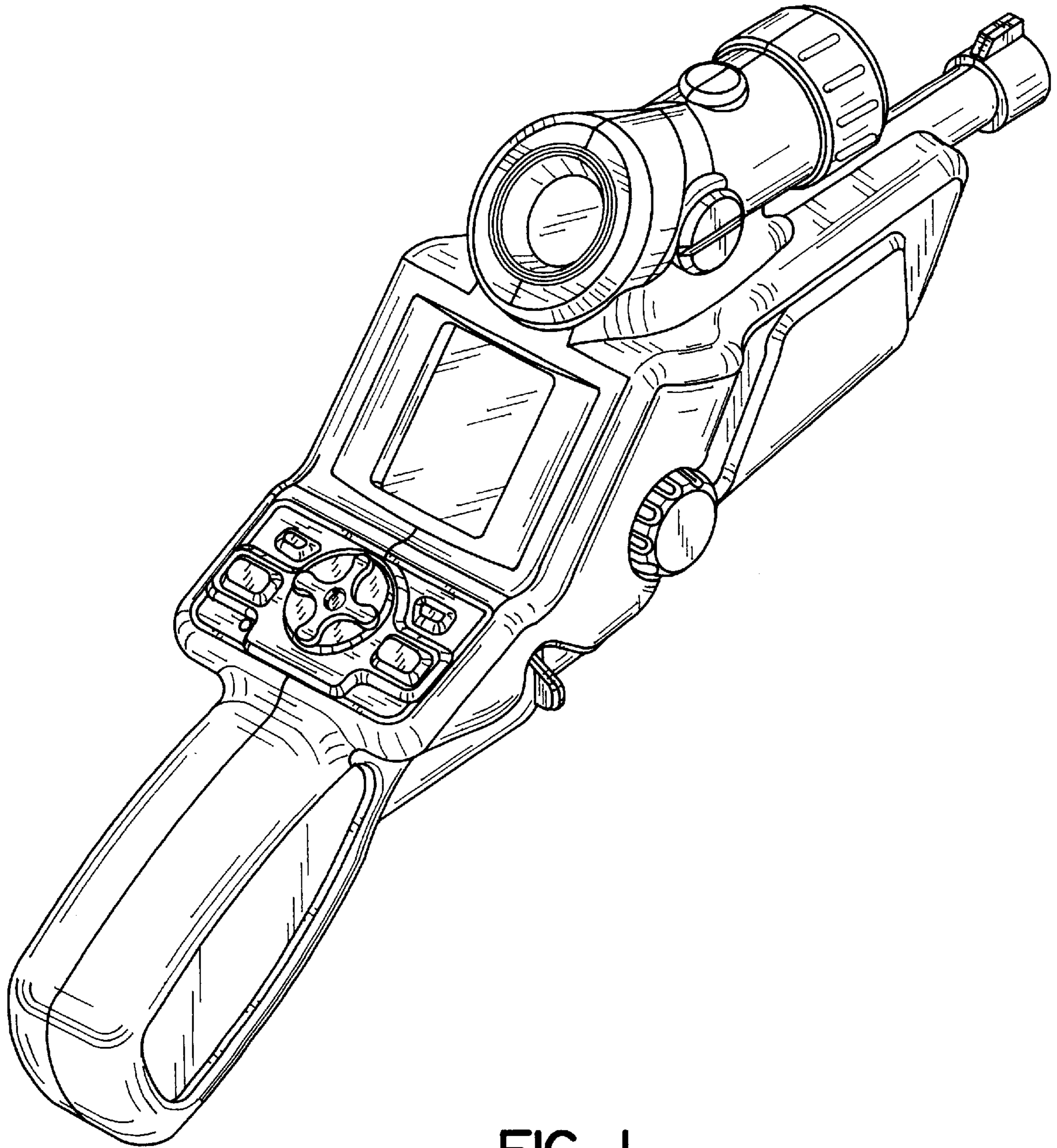


FIG. 1

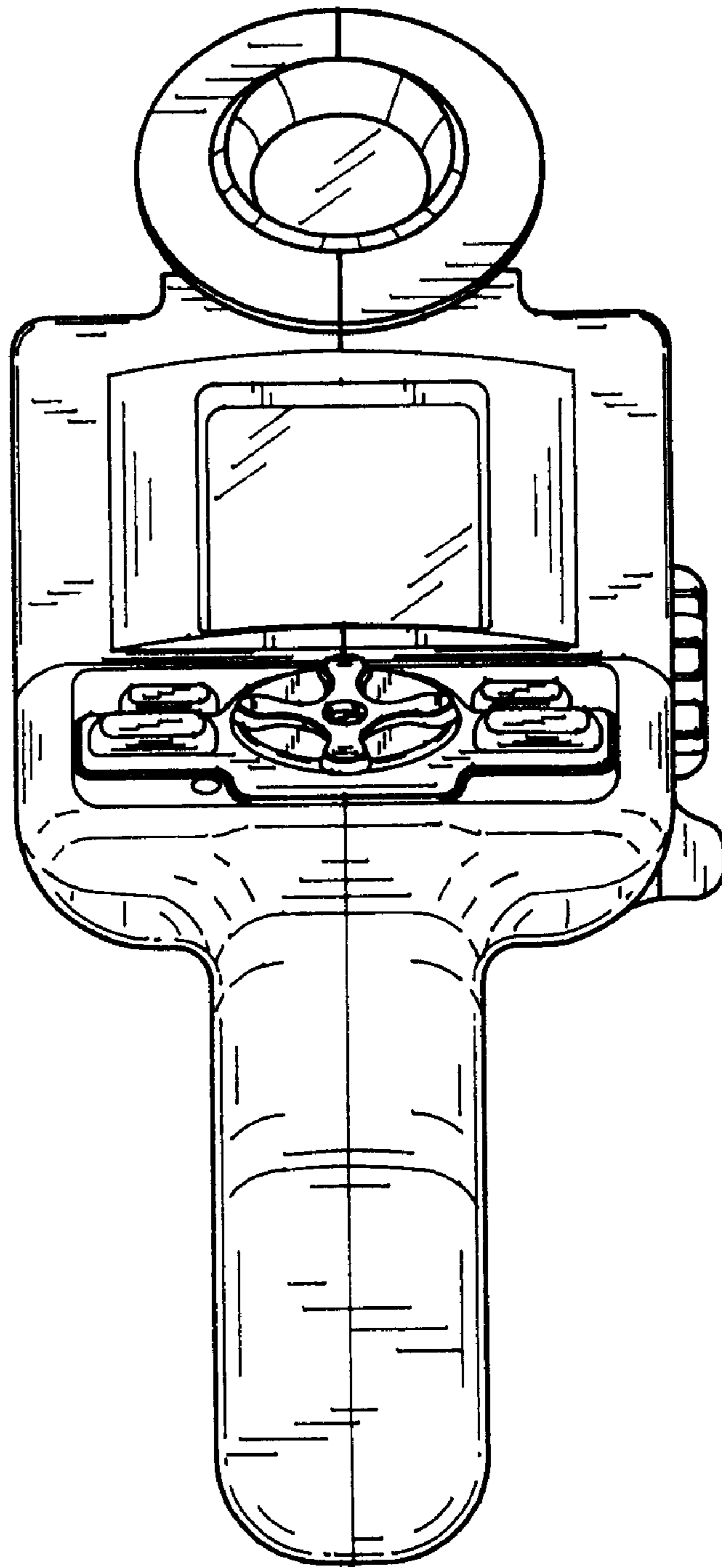


FIG. 2

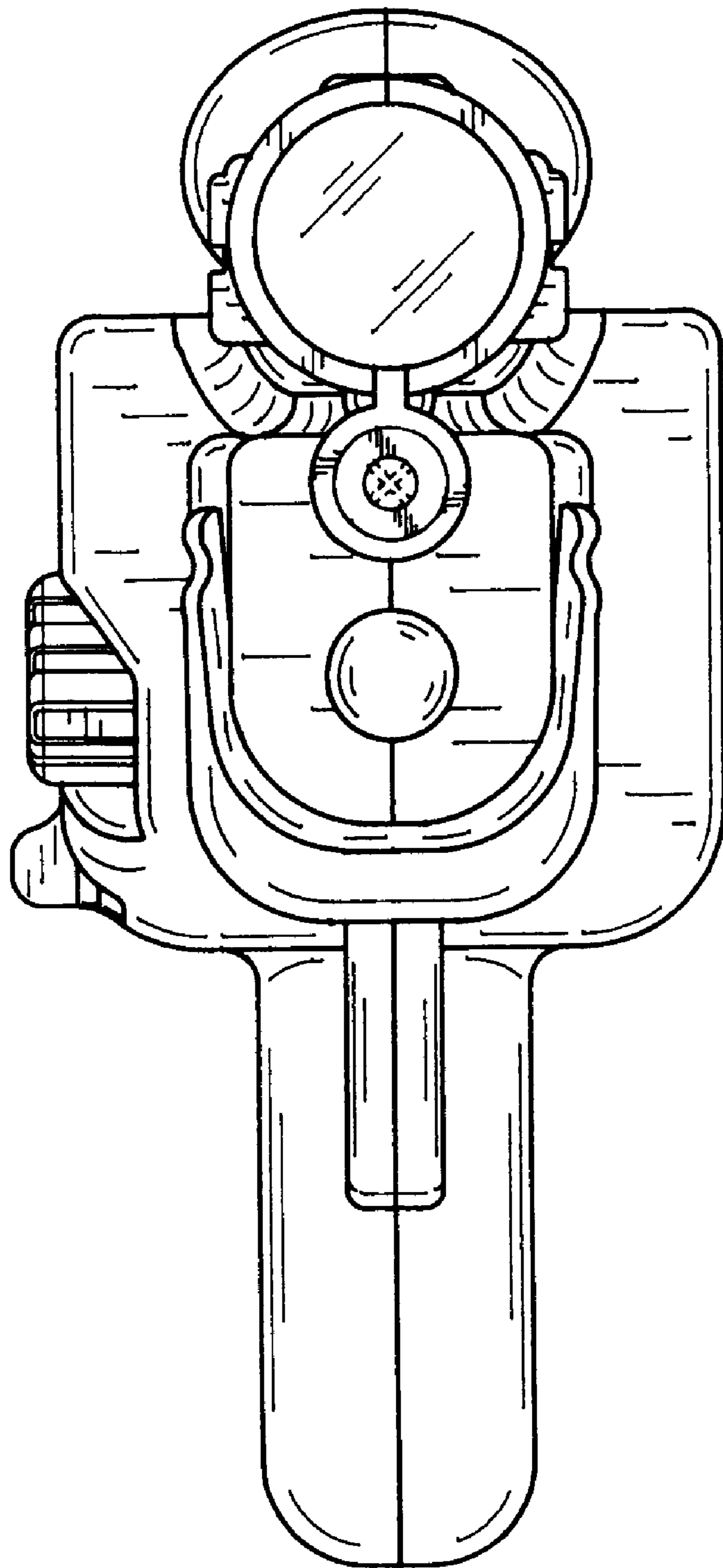


FIG. 3

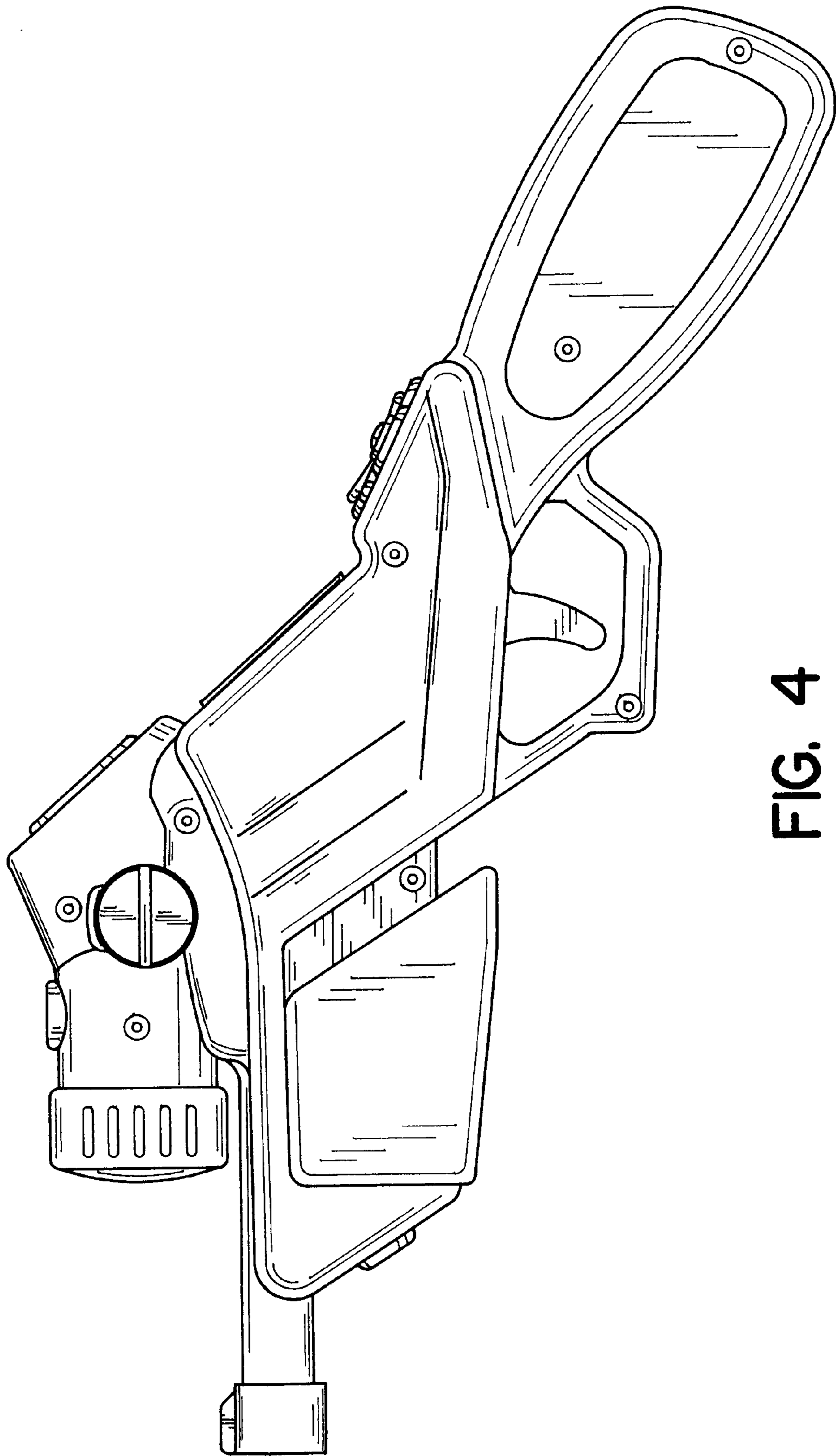


FIG. 4

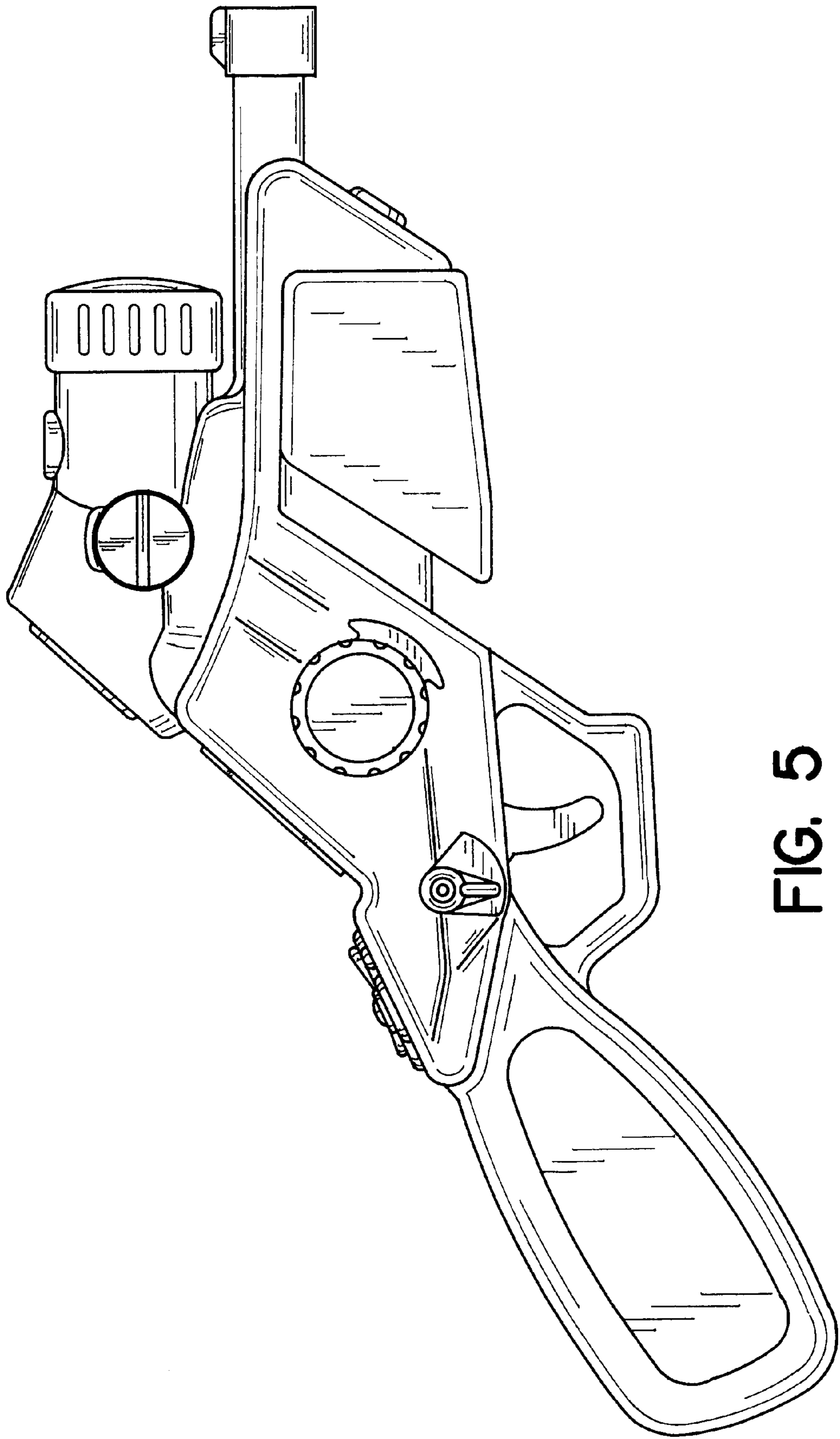


FIG. 5

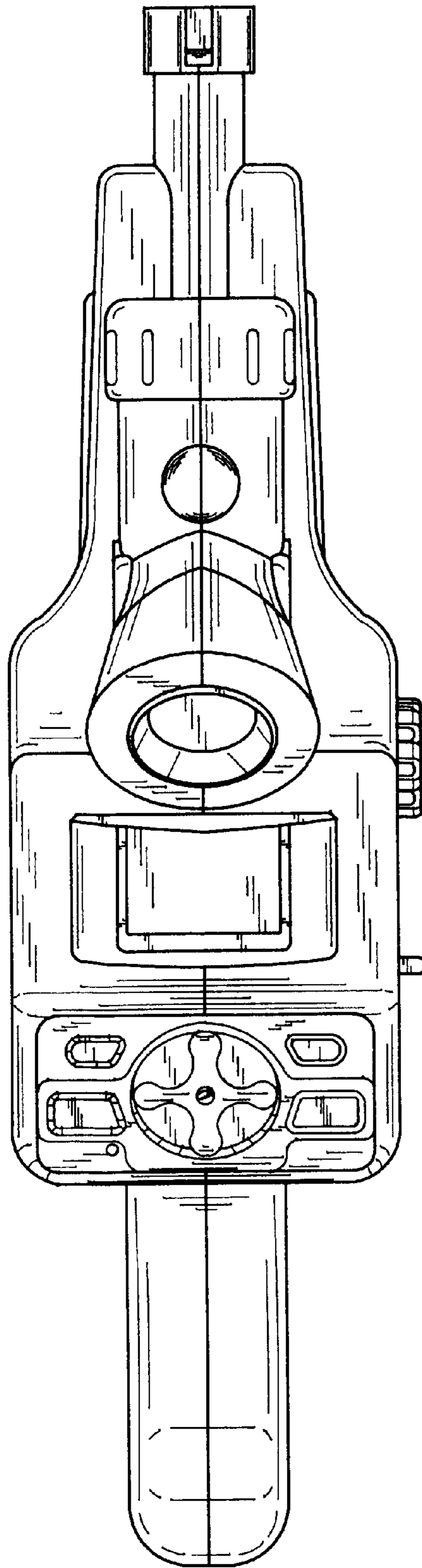


FIG. 6

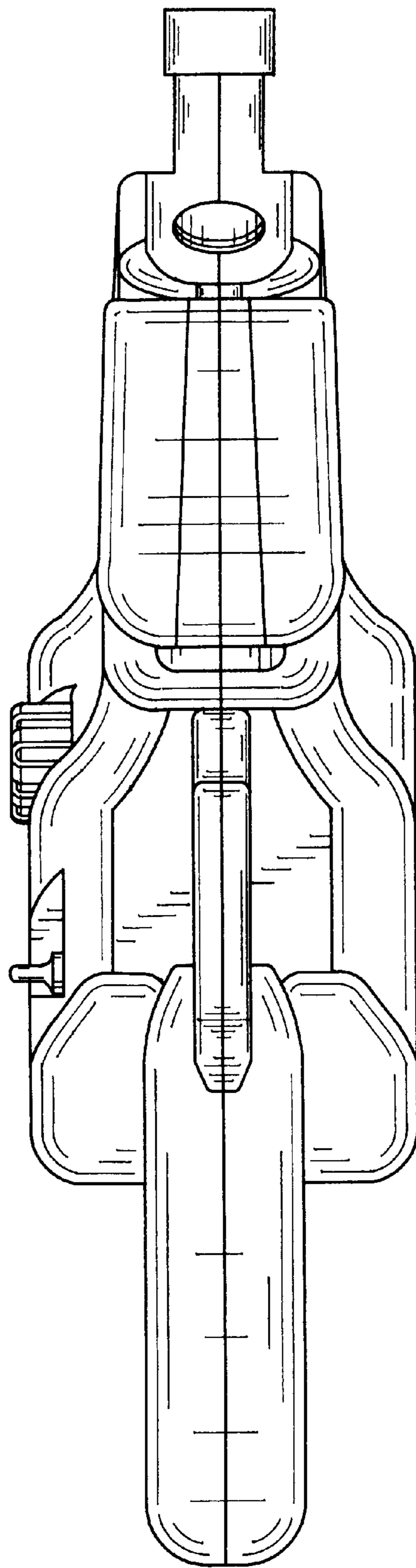


FIG. 7