



US00D433072S

United States Patent [19]
Frank

[11] **Patent Number: Des. 433,072**

[45] **Date of Patent: ** Oct. 31, 2000**

[54] **DECORATIVE BUILDING BLOCKS FOR VILLAGE LANDSCAPE DISPLAY**

DESCRIPTION

[76] Inventor: **Edward Frank**, 6706 Dale Rd., Darien, Ill. 60661

FIG. 1 is a perspective view of a decorative building block for a village landscape display showing my new design;

[**] Term: **14 Years**

FIG. 2 is a left side view thereof; the right side view thereof being a mirror image and symmetrical to the left side view thereof;

[21] Appl. No.: **29/117,388**

FIG. 3 is a front view thereof;

[22] Filed: **Jan. 21, 2000**

FIG. 4 is a back view thereof;

[51] **LOC (7) Cl.** **19-08**

FIG. 5 is a top plan view thereof;

[52] **U.S. Cl.** **D20/99**

FIG. 6 is a bottom view thereof;

[58] **Field of Search** D20/10, 40, 39, D20/99; 206/45, 45.14, 45.17, 823; 211/87, 100, 101, 59.3; 40/124, 584, 643, 649

FIG. 7 is a perspective view of another decorative building block for a village landscape display showing my new design;

[56] **References Cited**

FIG. 8 is a left side view thereof; the right side view thereof being a mirror image and symmetrical to the left side view thereof;

U.S. PATENT DOCUMENTS

- D. 382,906 8/1997 Back et al. D20/10
- D. 389,194 1/1998 Rinicella et al. D20/10

FIG. 9 is a front view thereof;

Primary Examiner—Marcus A. Jackson
Attorney, Agent, or Firm—Welsh & Katz, Ltd.; Thomas W. Tolpin

FIG. 10 is a back view thereof;

FIG. 11 is a top plan view thereof; and,

FIG. 12 is a bottom view thereof.

[57] **CLAIM**

The ornamental design for decorative building blocks for village landscape display, as shown and described.

1 Claim, 2 Drawing Sheets

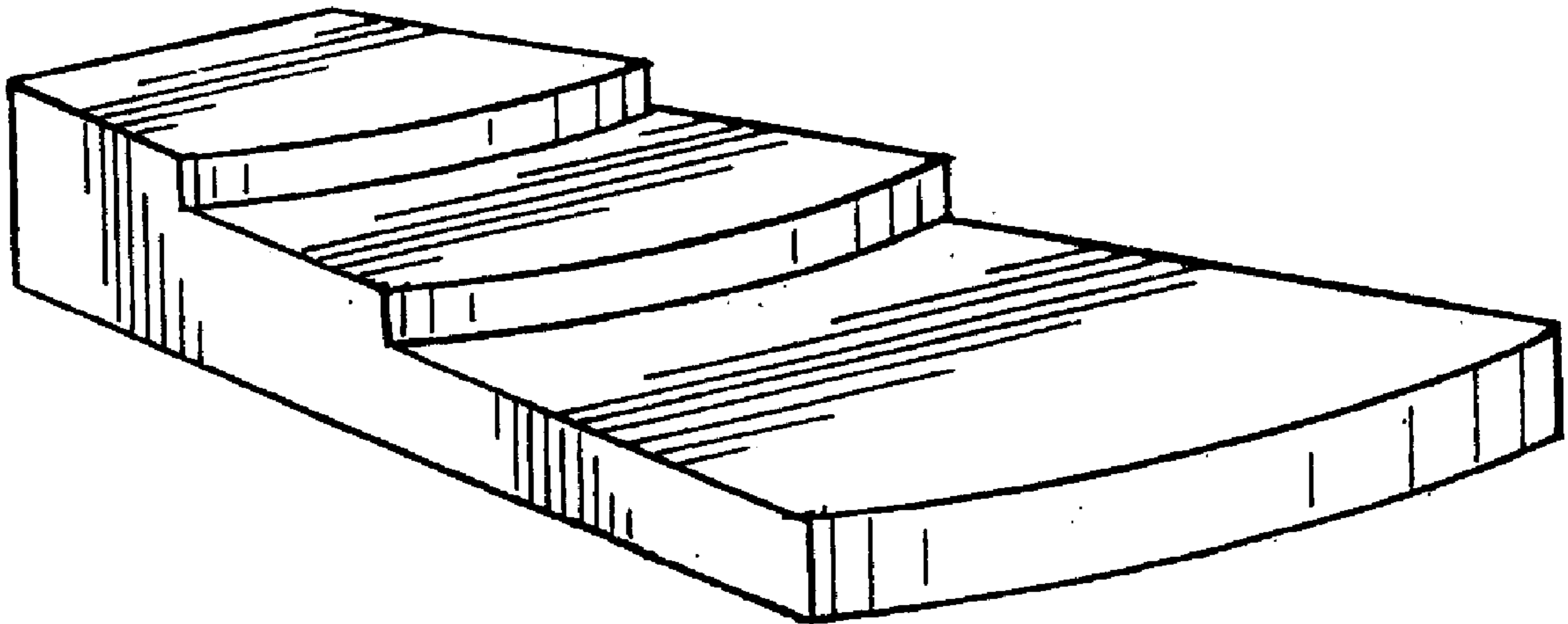


FIG. 1

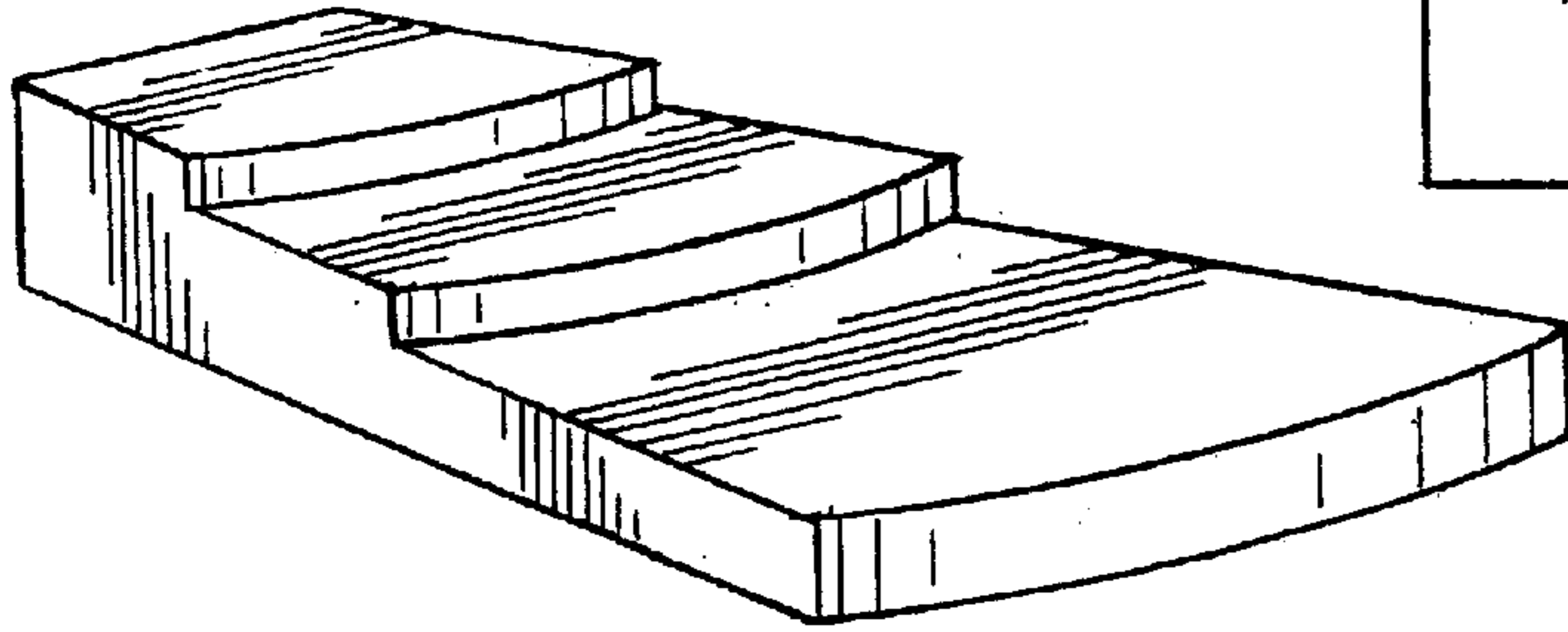


FIG. 2

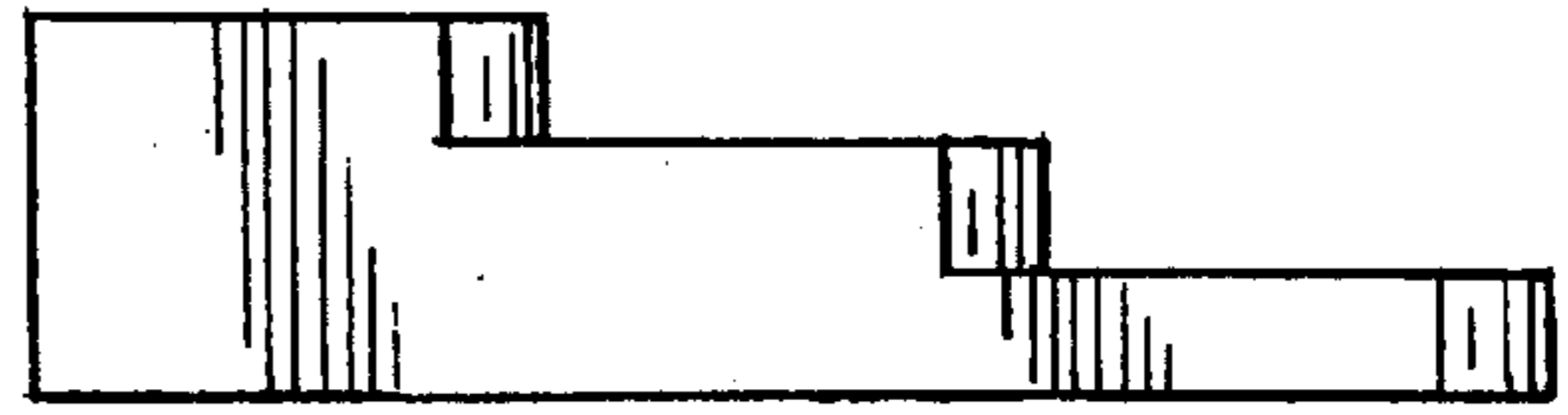


FIG. 3

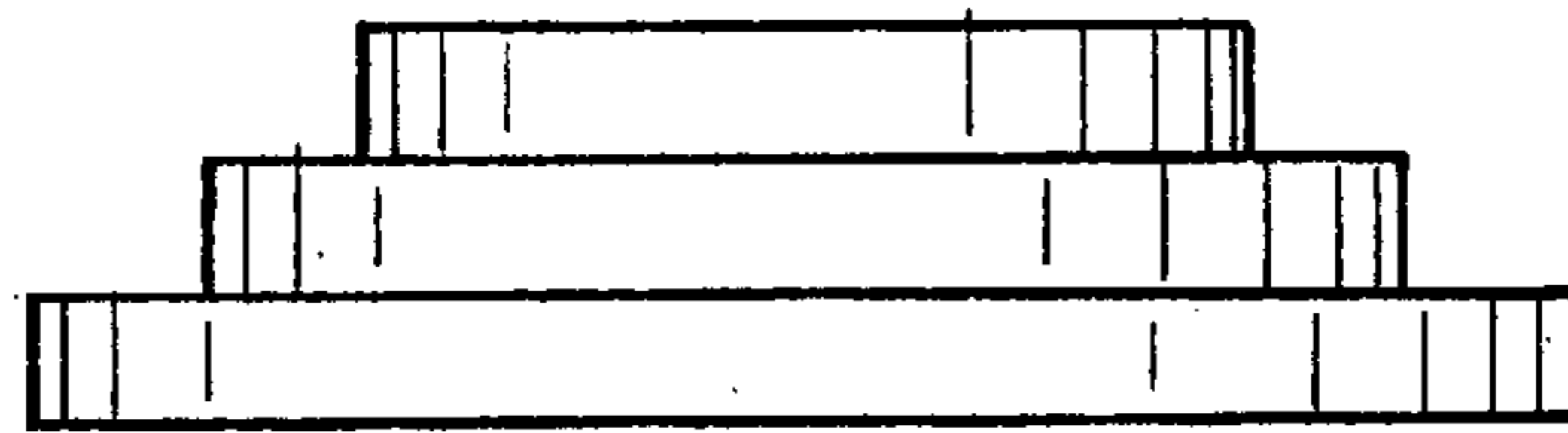


FIG. 4

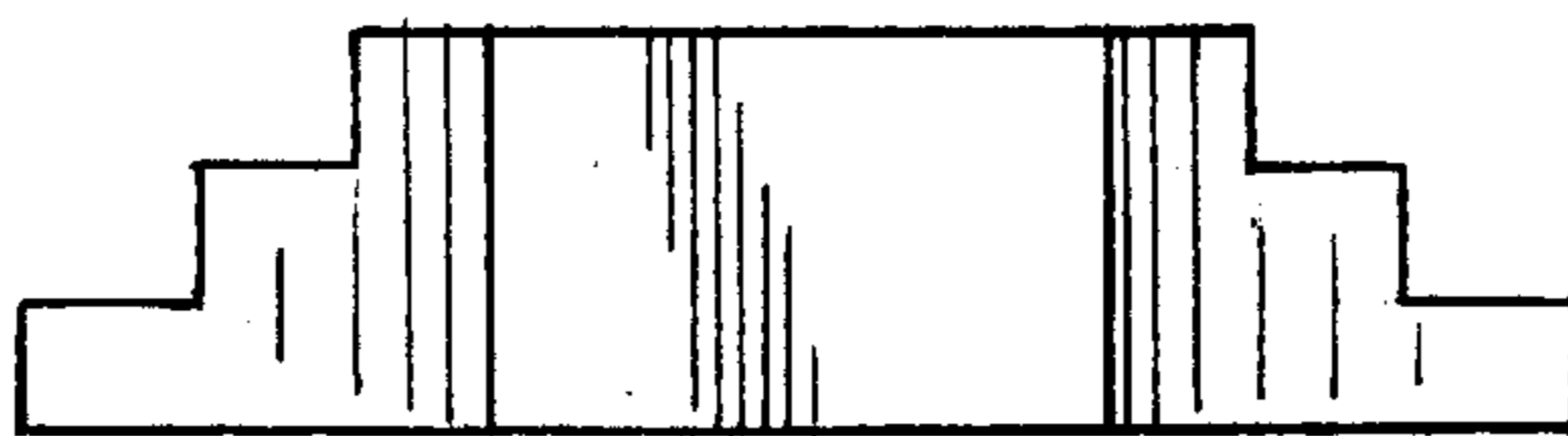


FIG. 5

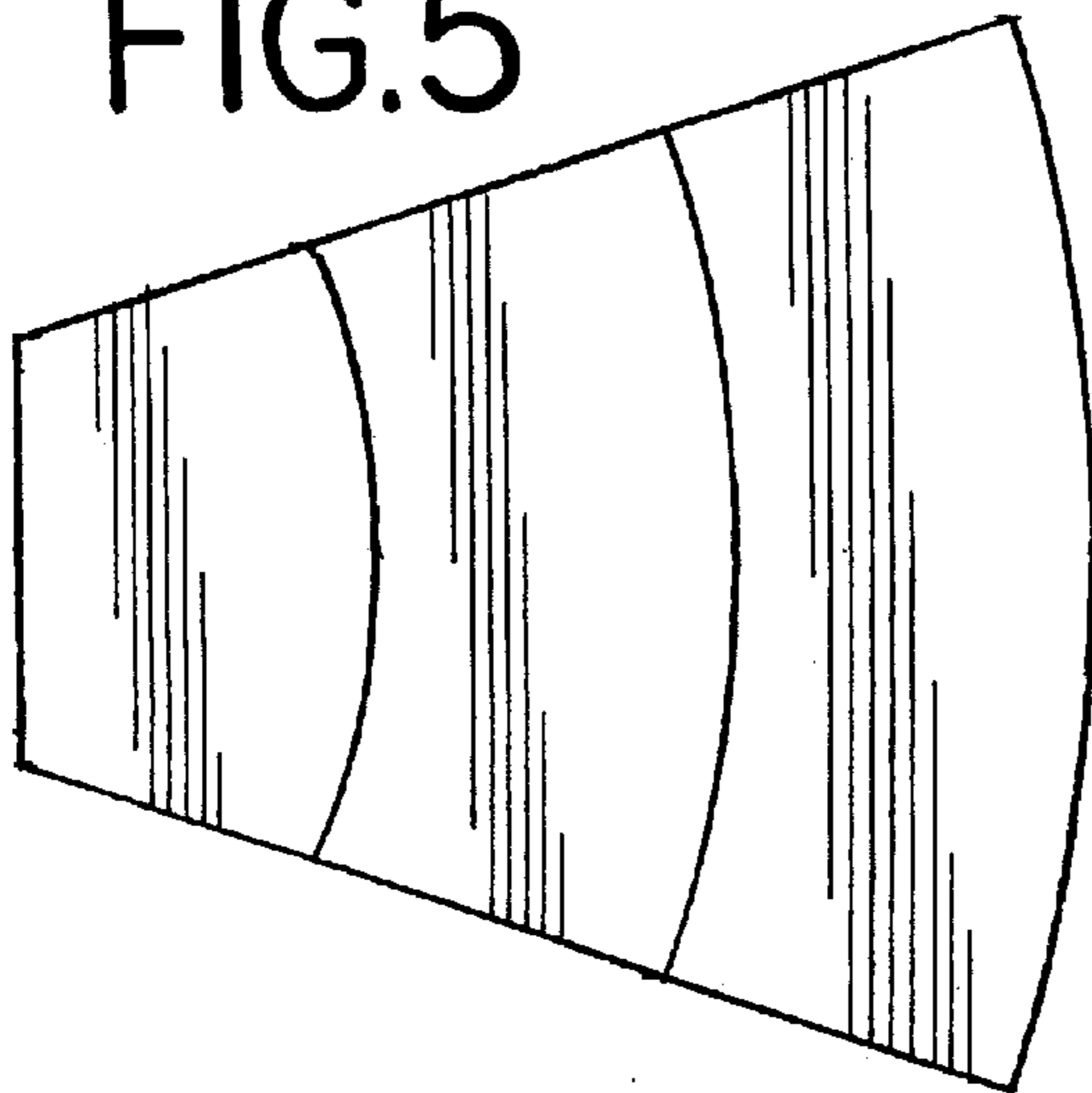


FIG. 6

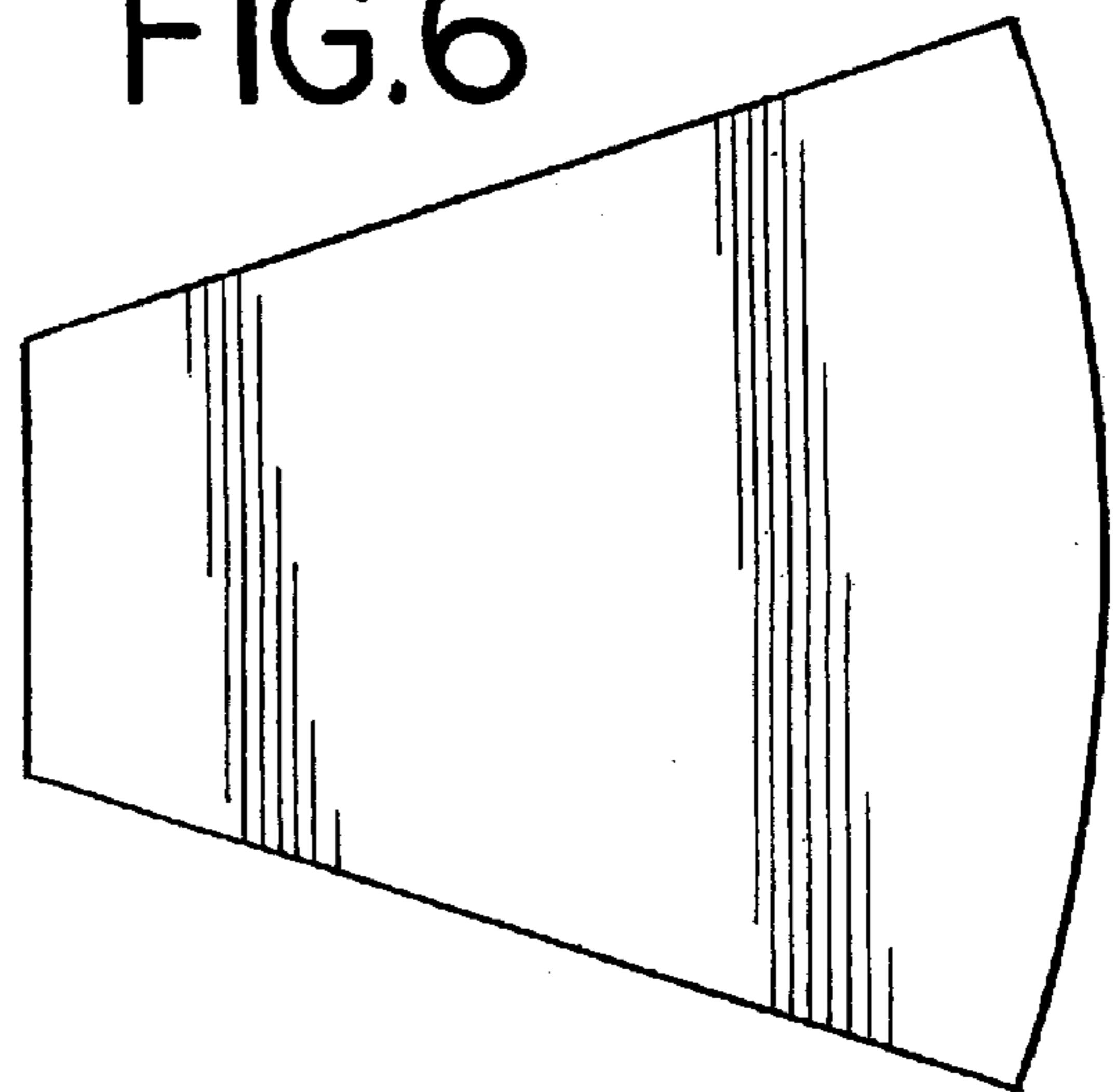


FIG.7

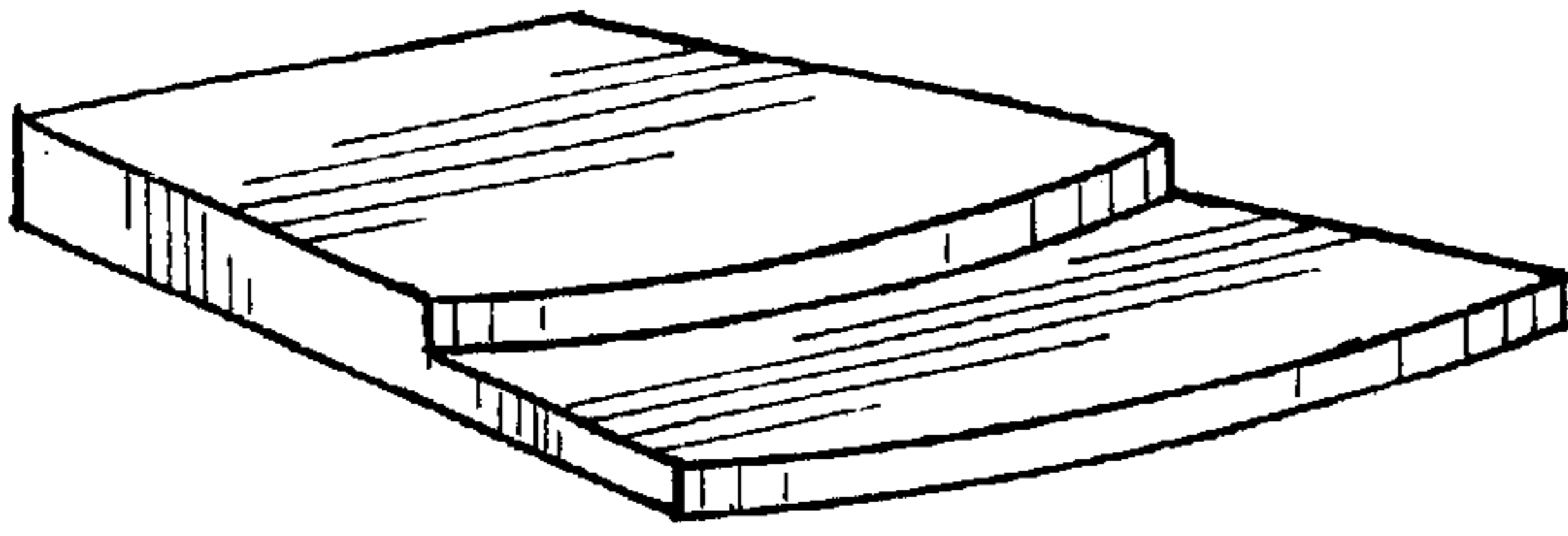


FIG.8



FIG.9



FIG.10

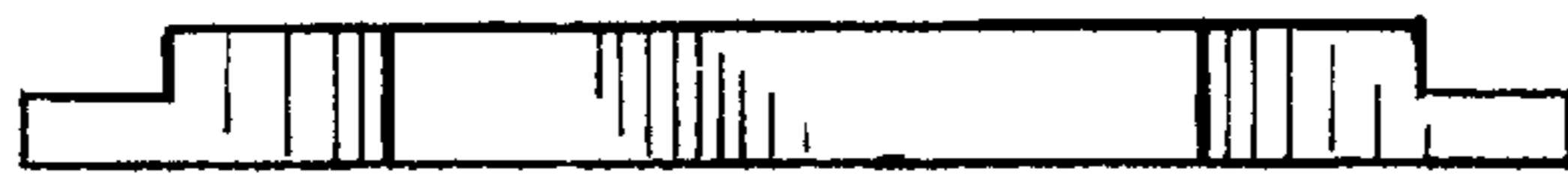


FIG.11

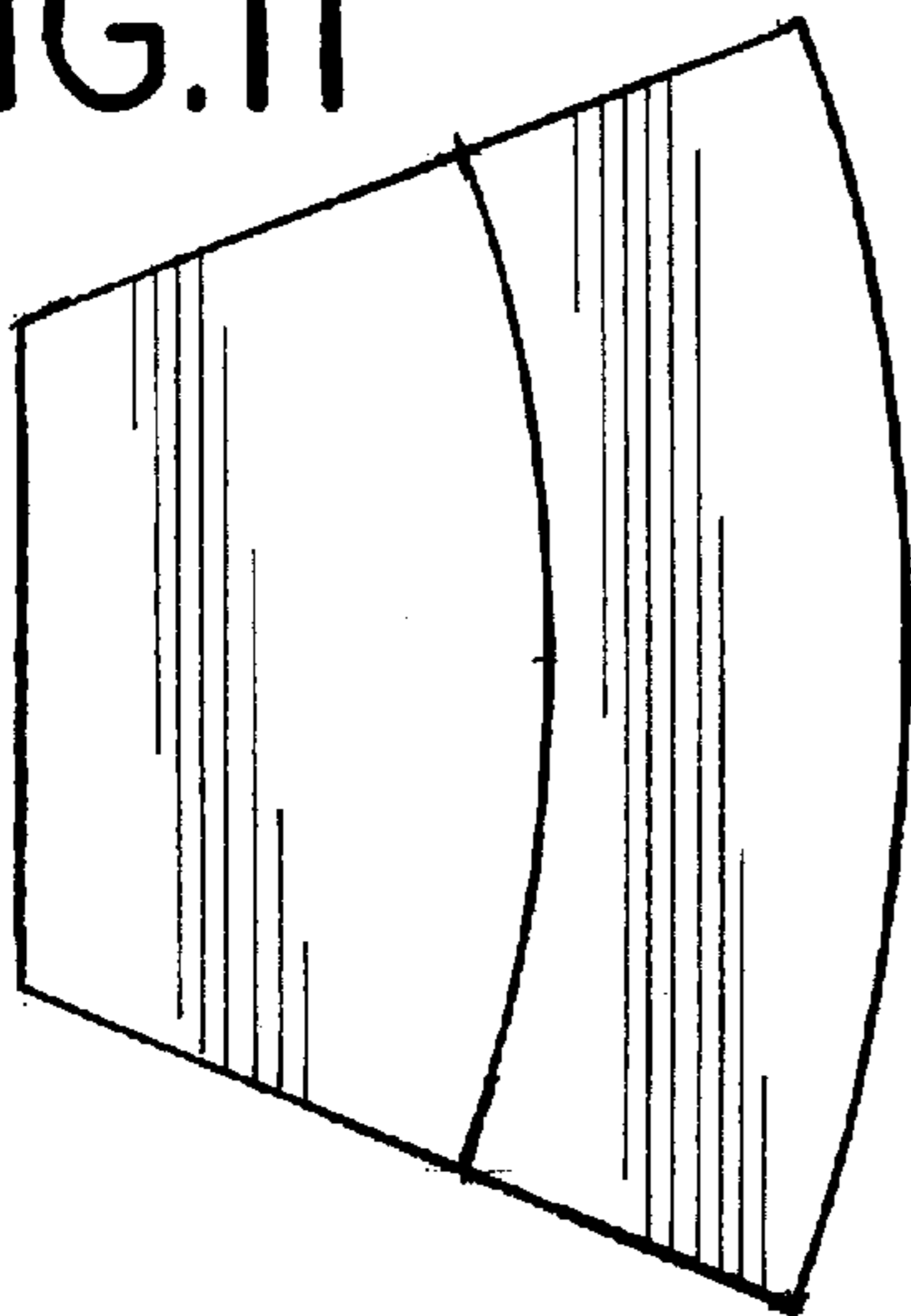


FIG.12

