



US00D433071S

United States Patent [19]

[11] Patent Number: **Des. 433,071**

Barrett

[45] Date of Patent: **** Oct. 31, 2000**

[54] **SPORTS SIGN FOR AUTOMOBILES**

[57] **CLAIM**

[76] Inventor: **W. Raymond Barrett**, 2464 W. Port Plz., St. Louis, Mo. 63146

The ornamental design for a sports sign for automobiles, as shown and described.

[**] Term: **14 Years**

DESCRIPTION

[21] Appl. No.: **29/108,110**

FIG. 1 is a front plan view of the sports ball sign for automobiles according to the invention.

[22] Filed: **Jul. 20, 1999**

FIG. 2 is a right side plan view of the sports ball sign for automobiles according to the invention.

[51] **LOC (7) Cl.** **19-08**

FIG. 3 is a rear plan view of the sports ball sign for automobiles according to the invention.

[52] **U.S. Cl.** **D20/40**

[58] **Field of Search** D20/10, 40, 41, D20/42; 116/63 P, 63 R, 63 T, 173, 174, 175; 40/1, 584, 590, 591, 592, 593, 617

FIG. 4 is a bottom plan view of the sports ball sign for automobiles according to the invention.

FIG. 5 is a top plan view of the sports ball sign for automobiles according to the invention.

[56] **References Cited**

FIG. 6 is a front plan view of the sports football sign for automobiles according to the invention.

U.S. PATENT DOCUMENTS

FIG. 7 is a right side plan view of the sports football sign for automobiles according to the invention.

D. 234,443	3/1975	Golub	D20/42
D. 330,686	11/1992	Campagna	D10/109
D. 360,654	7/1995	Castilloux	D20/42
D. 376,179	12/1996	Cohen	D20/41
D. 382,218	8/1997	Hall	D10/109
D. 397,364	8/1998	Barrett	D20/41
2,960,786	11/1960	Wagner	40/592

FIG. 8 is a rear plan view of the sports football sign for automobiles according to the invention.

FIG. 9 is a bottom plan view of the sports football sign for automobiles according to the invention; and,

FIG. 10 is a top plan view of the sports football sign for automobiles according to the invention.

Primary Examiner—Marcus A. Jackson
Attorney, Agent, or Firm—Senniger, Powers, Leavitt & Roedel

1 Claim, 6 Drawing Sheets

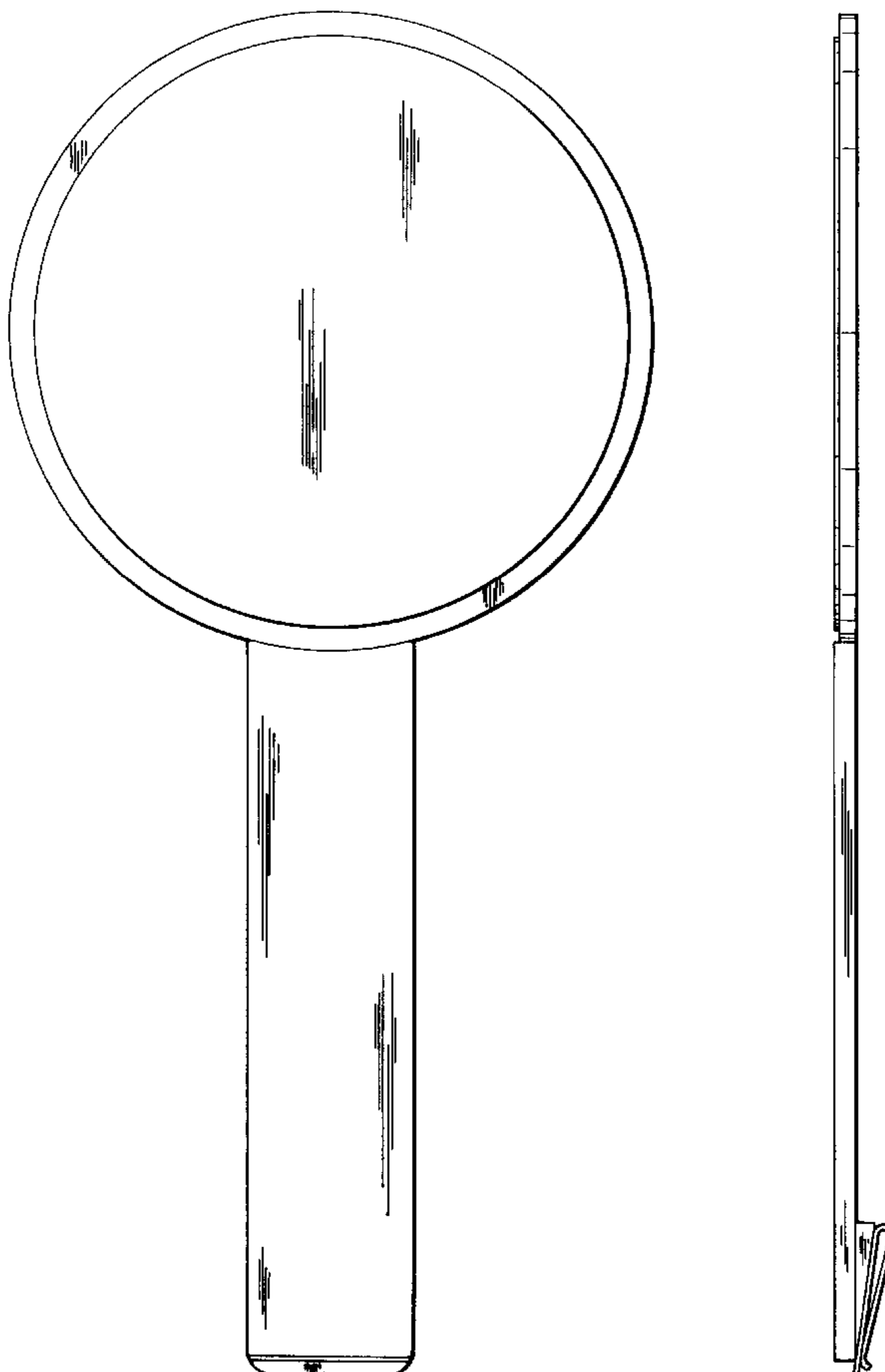


FIG. 1

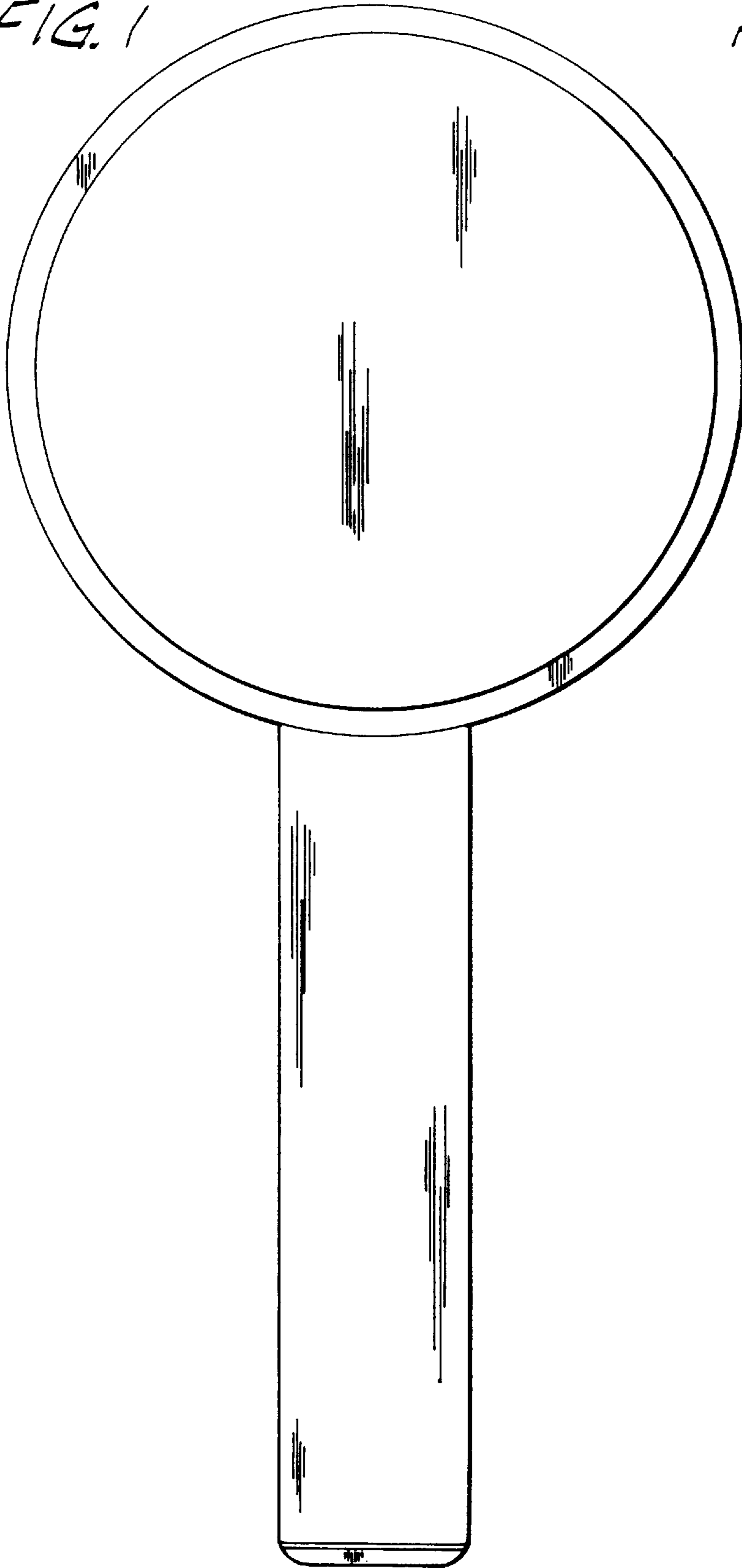


FIG. 2



FIG. 3

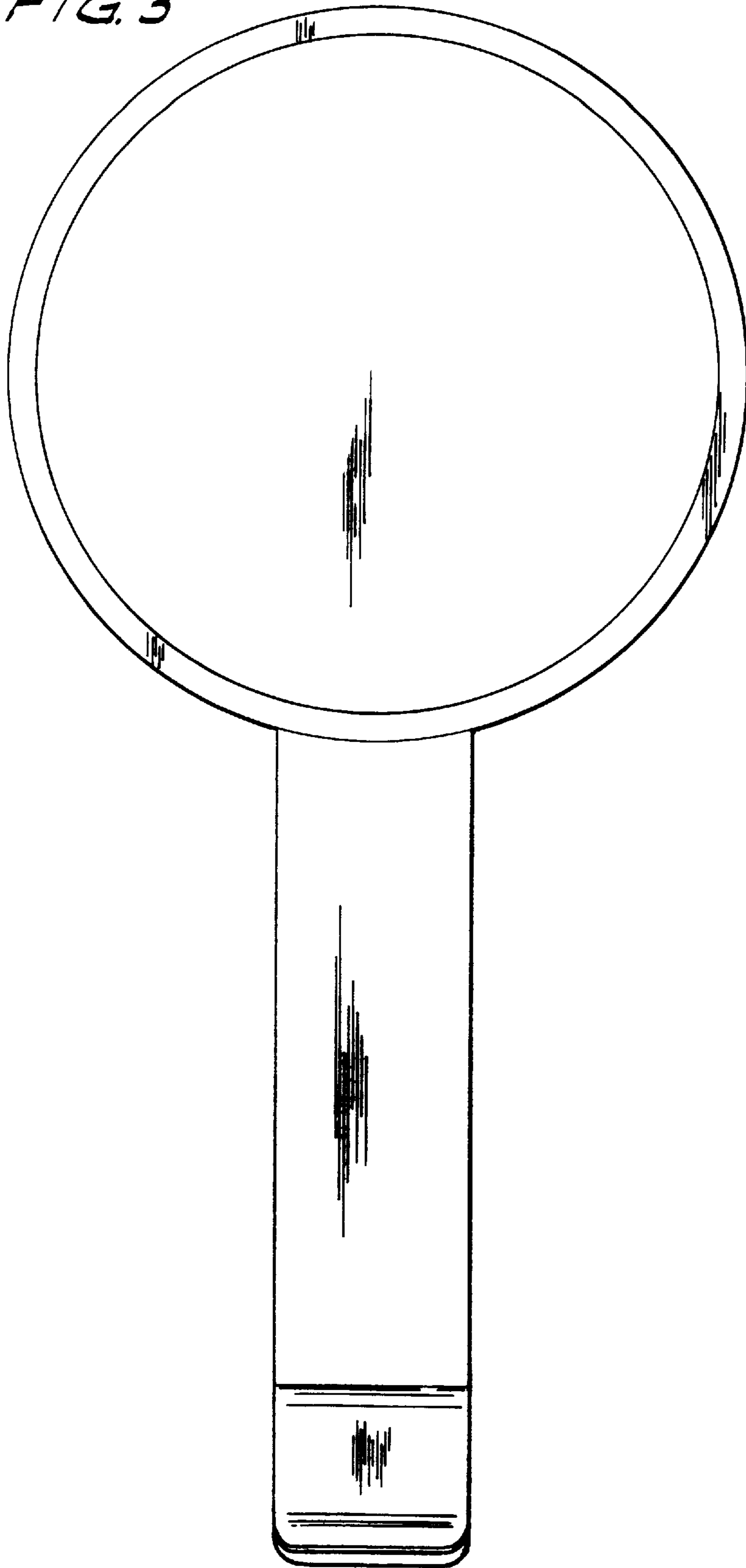


FIG. 4

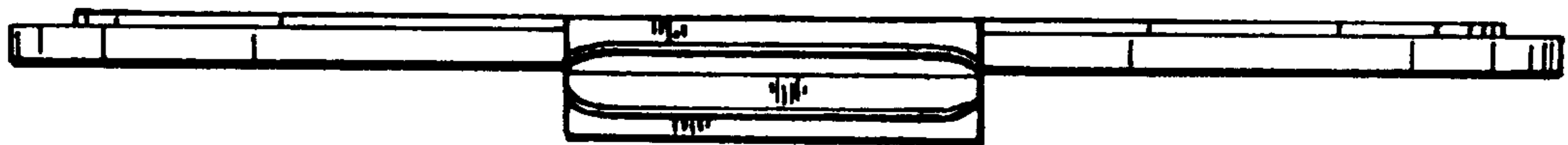


FIG. 5

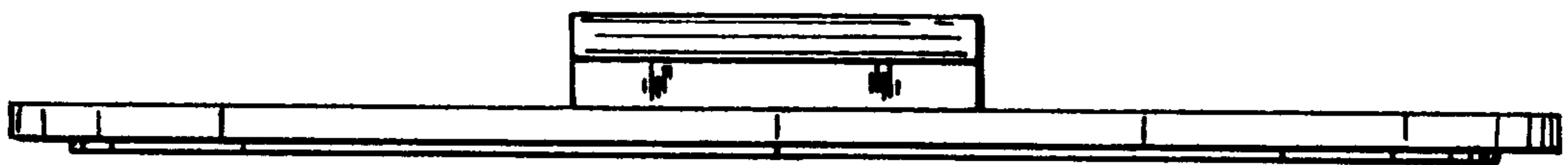


FIG. 6

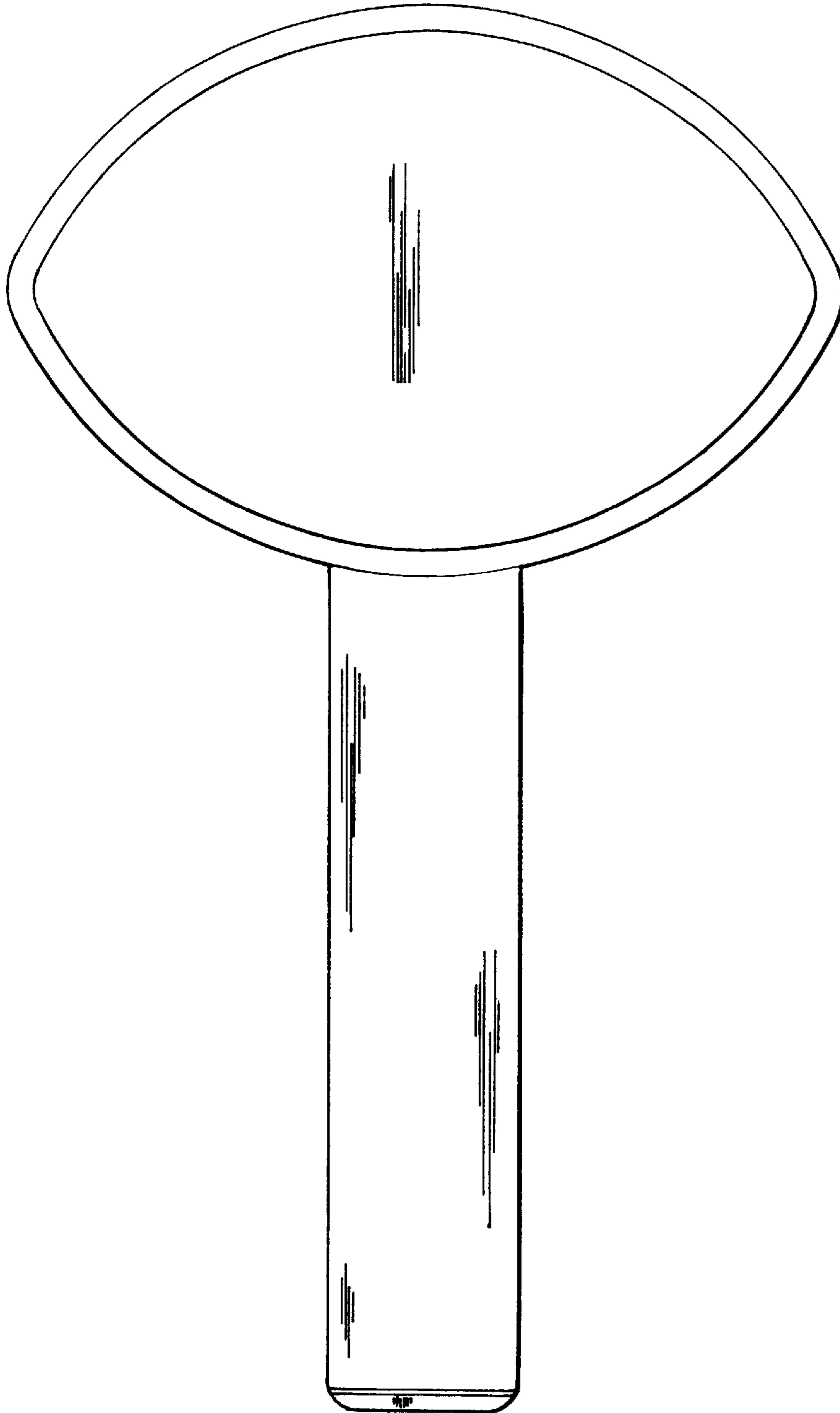


FIG. 7

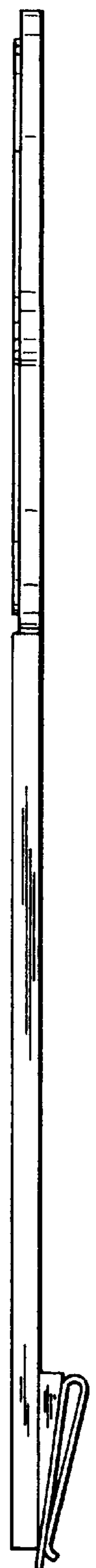


FIG. 8

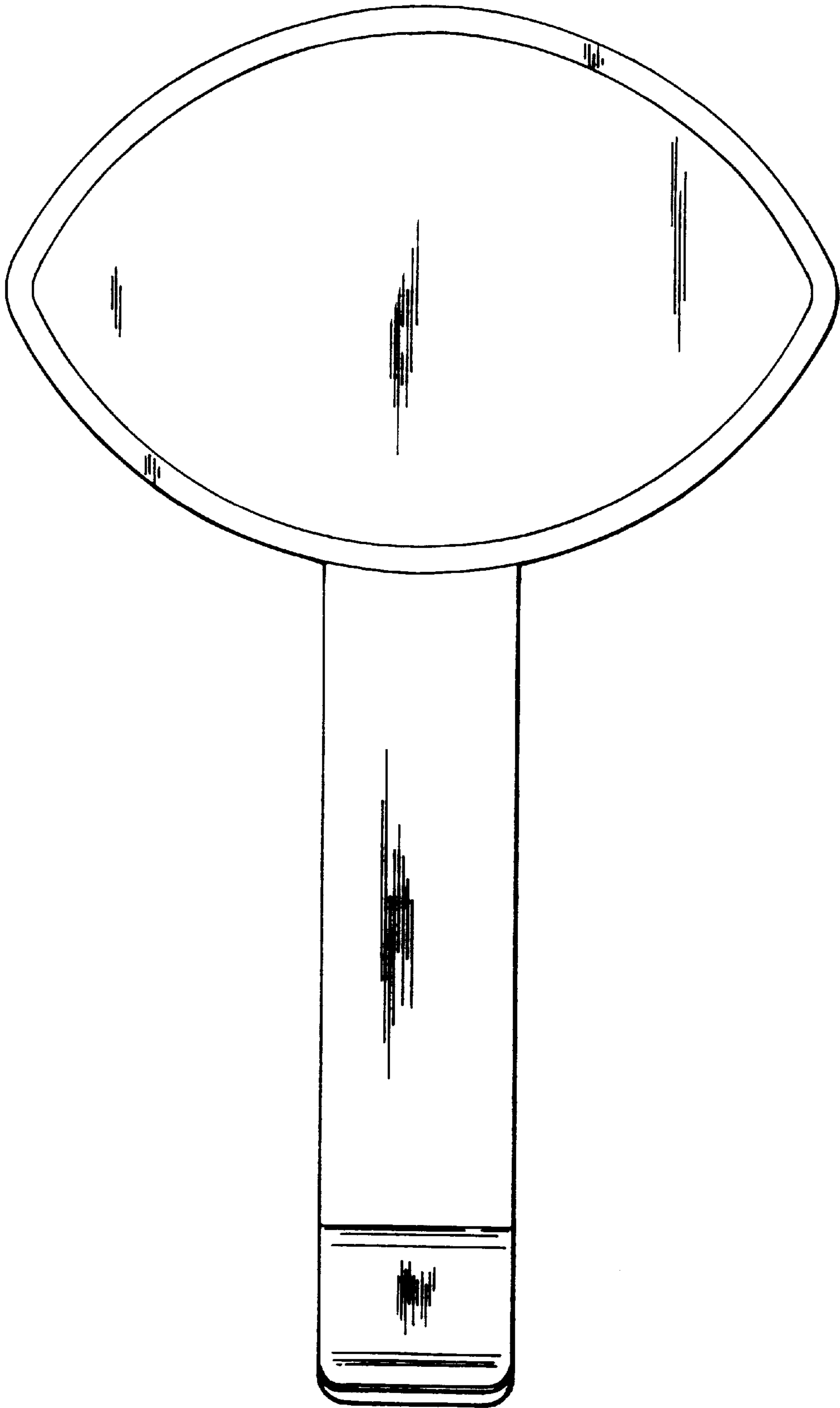


FIG. 9

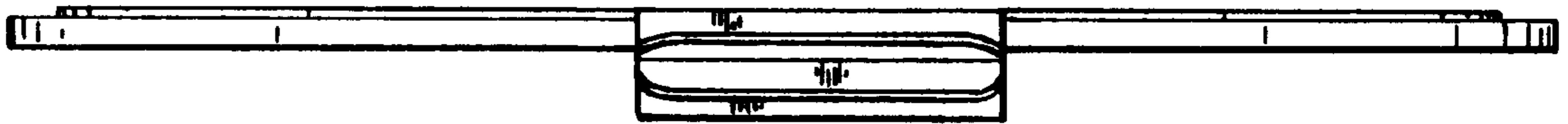


FIG. 10

