



US00D433070S

United States Patent [19]

[11] **Patent Number: Des. 433,070**

Weststrate

[45] **Date of Patent: ** Oct. 31, 2000**

[54] **IDENTIFICATION TAG WITH CLIP AND MAGNET ATTACHMENT**

Primary Examiner—Marcus A. Jackson

[76] Inventor: **Marinus A Weststrate**, 555 NE. 34th St. # 2407, Miami, Fla. 33137

[57] **CLAIM**

The ornamental design for a identification tag with clip and magnet attachment, as shown and described.

[**] Term: **14 Years**

DESCRIPTION

[21] Appl. No.: **29/120,716**

FIG. 1 is a front elevational view of the identification tag with clip and magnet attachment of the present invention; FIG. 2 is a rear elevational view of the identification tag with clip and magnet attachment of FIG. 1;

[22] Filed: **Mar. 24, 2000**

[51] **LOC (7) Cl.** **19-08**

[52] **U.S. Cl.** **D20/22; D20/40**

[58] **Field of Search** D20/10, 40, 42, D20/43; 40/642.02, 653, 654, 654.01, 657, 661; D19/90, 91

FIG. 3 is a right side elevational view of the identification tag with clip and magnet attachment of FIG. 1, the left view being a mirror image thereof;

FIG. 4 is a top plan view of the identification tag with clip and magnet attachment of FIG. 1; and,

FIG. 5 is a bottom plan view of the identification tag with clip and magnet attachment of FIG. 1.

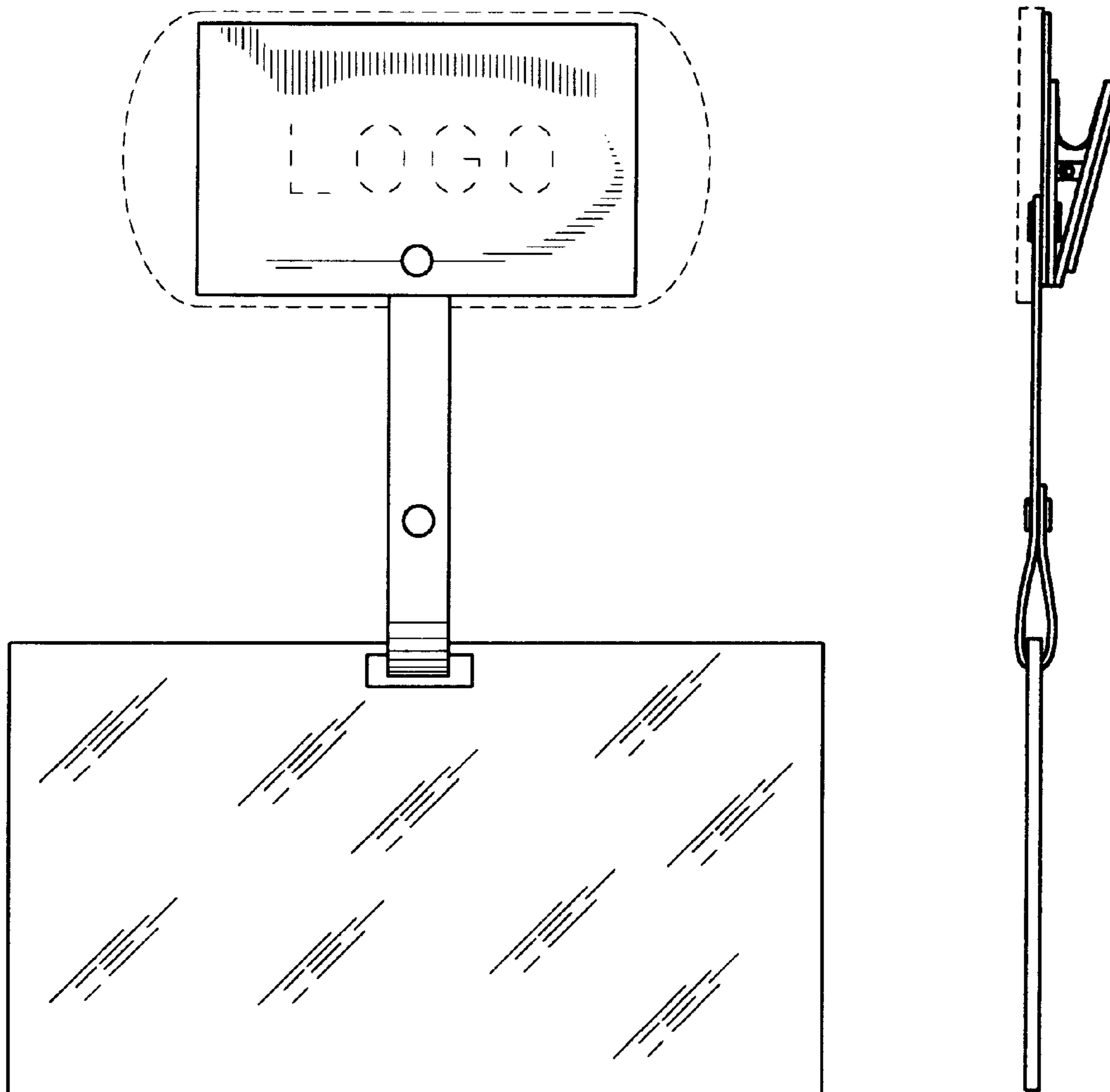
The broken lines showing of letters in FIG. 1 is for illustrative purposes only and form no part of the claimed design.

[56] **References Cited**

U.S. PATENT DOCUMENTS

- D. 392,332 3/1998 Ruprecht D20/42
- D. 425,565 5/2000 Bowie D20/42

1 Claim, 2 Drawing Sheets



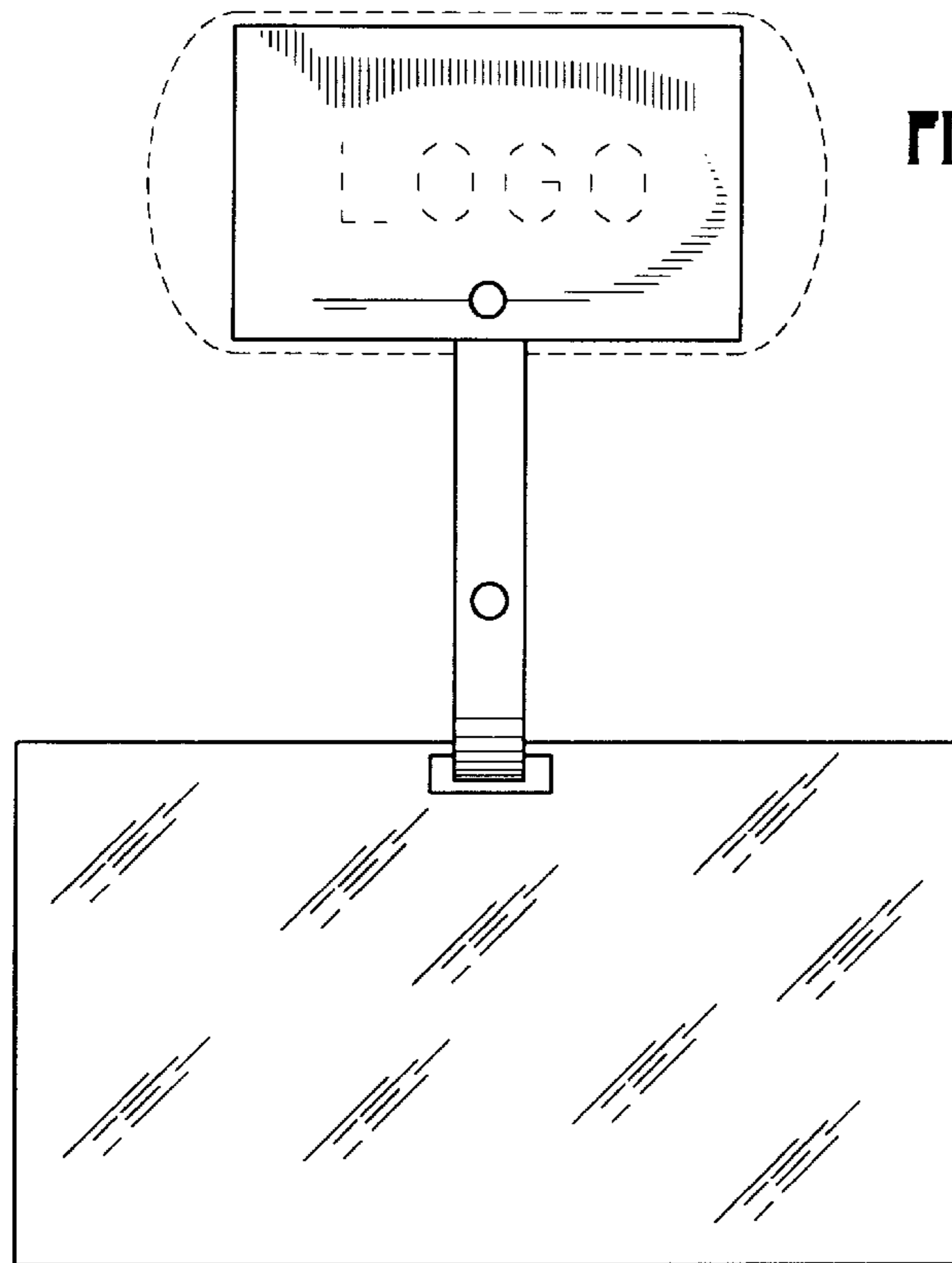


FIG. 1

FIG. 2

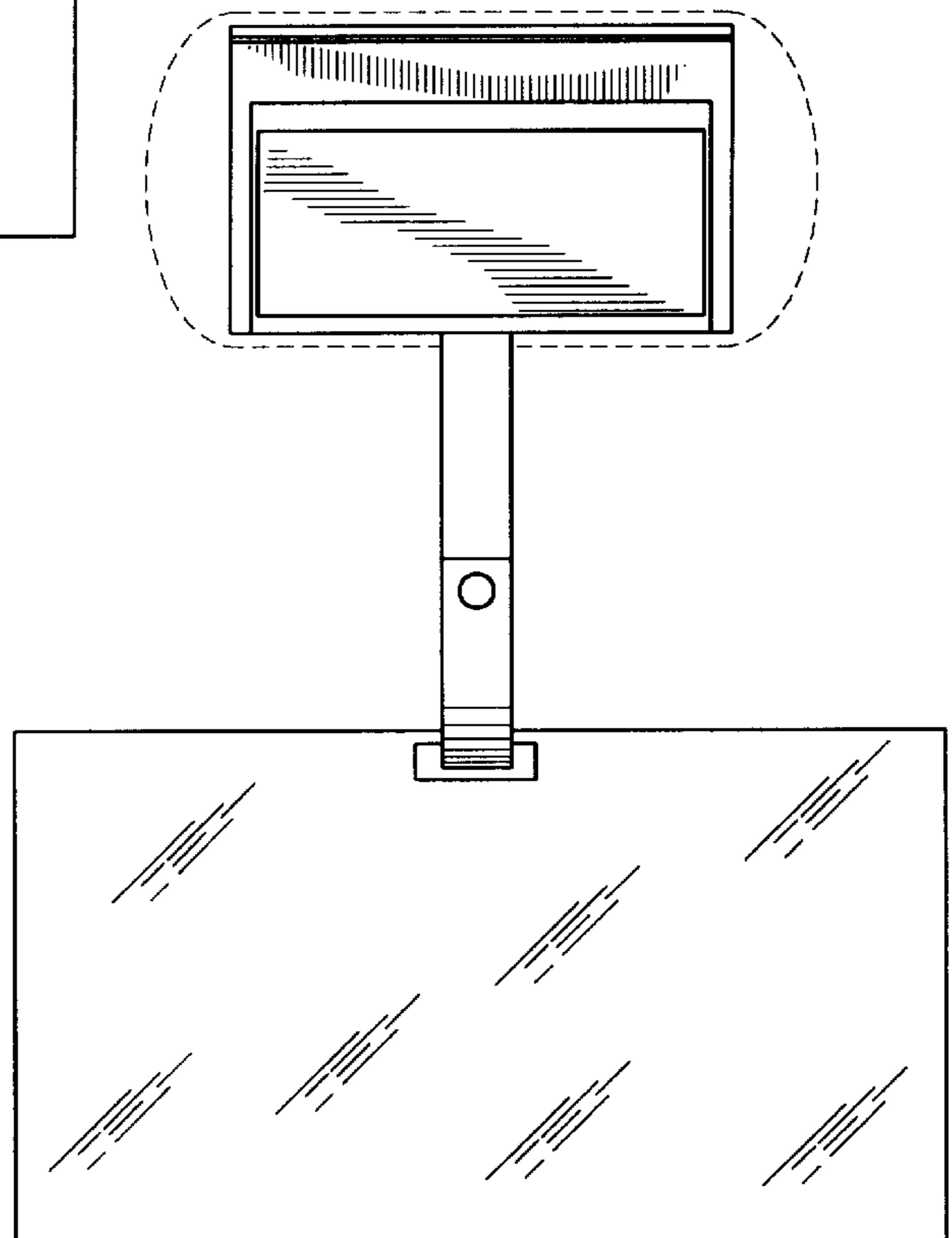


FIG. 3



FIG. 4

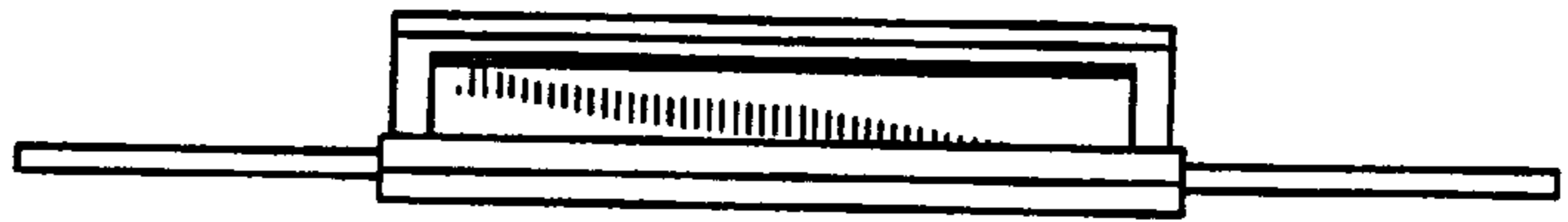


FIG. 5

