



US00D433066S

# United States Patent [19]

[11] Patent Number: **Des. 433,066**

Porter

[45] Date of Patent: **\*\* Oct. 31, 2000**

[54] **ROTATING STORAGE AND DISPLAY DEVICE**

[76] Inventor: **Robert Porter**, 3652 Becontise Pl., Oviedo, Fla. 32765

[\*\*] Term: **14 Years**

[21] Appl. No.: **29/115,952**

[22] Filed: **Dec. 27, 1999**

[51] **LOC (7) Cl.** ..... **19-02**

[52] **U.S. Cl.** ..... **D19/90; D19/77; D19/78; D19/82; D6/450; D9/307**

[58] **Field of Search** ..... D19/65, 75, 76, D19/77, 81-85, 86, 90, 91, 95, 99, 100; D6/450, 455, 457; D9/307; D21/707-709; 211/10, 53, 55, 11, 56, 58, 70; 220/500, 506; D4/116

[56] **References Cited**

**U.S. PATENT DOCUMENTS**

- D. 293,690 1/1988 Adler ..... D19/78
- D. 304,262 10/1989 Mays ..... D3/271

- D. 327,775 7/1992 Turner ..... D3/271
- D. 355,995 3/1995 Stoddard et al. .... D6/450
- D. 358,324 5/1995 Mitchell ..... D9/307
- D. 390,778 2/1998 Lee ..... D9/307
- D. 425,706 5/2000 Calderone ..... D4/116
- 2,840,842 7/1958 Kaheny ..... D9/307 X
- 4,339,062 7/1982 Witt, Jr. .... D9/307 X

*Primary Examiner*—Martie K. Holtje  
*Attorney, Agent, or Firm*—Elsie C. Turner

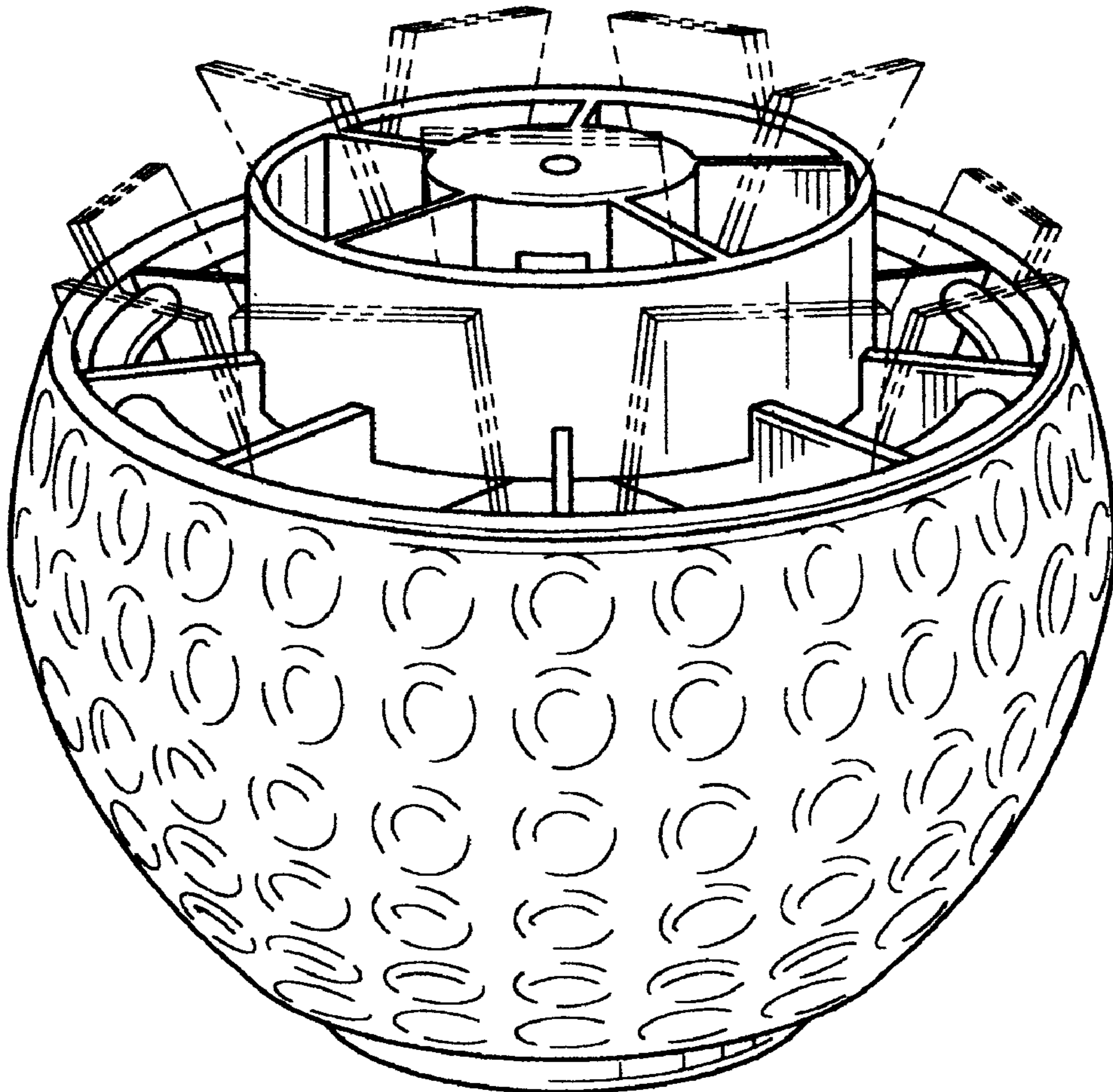
[57] **CLAIM**

The ornamental design for a rotating storage and display device, as shown and described.

**DESCRIPTION**

FIG. 1 is a perspective view of a rotating storage and display device containing cards and brochures which, being no part of the design, are shown in phantom;  
FIG. 2 is a side elevational view thereof, being representative of all sides of the design;  
FIG. 3 is a top plan view thereof; and,  
FIG. 4 is a bottom plan view thereof.

**1 Claim, 1 Drawing Sheet**



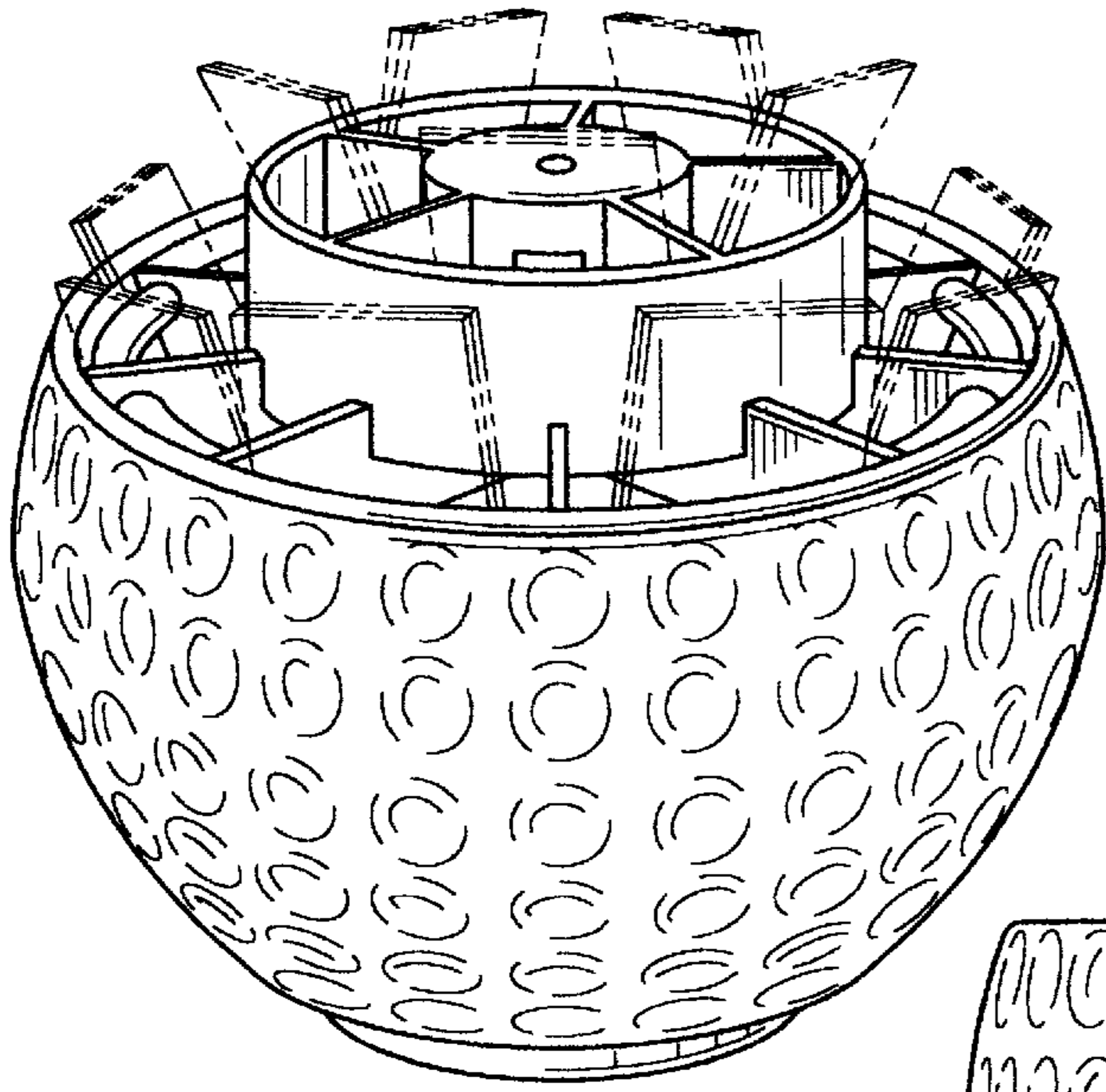


FIG. 1

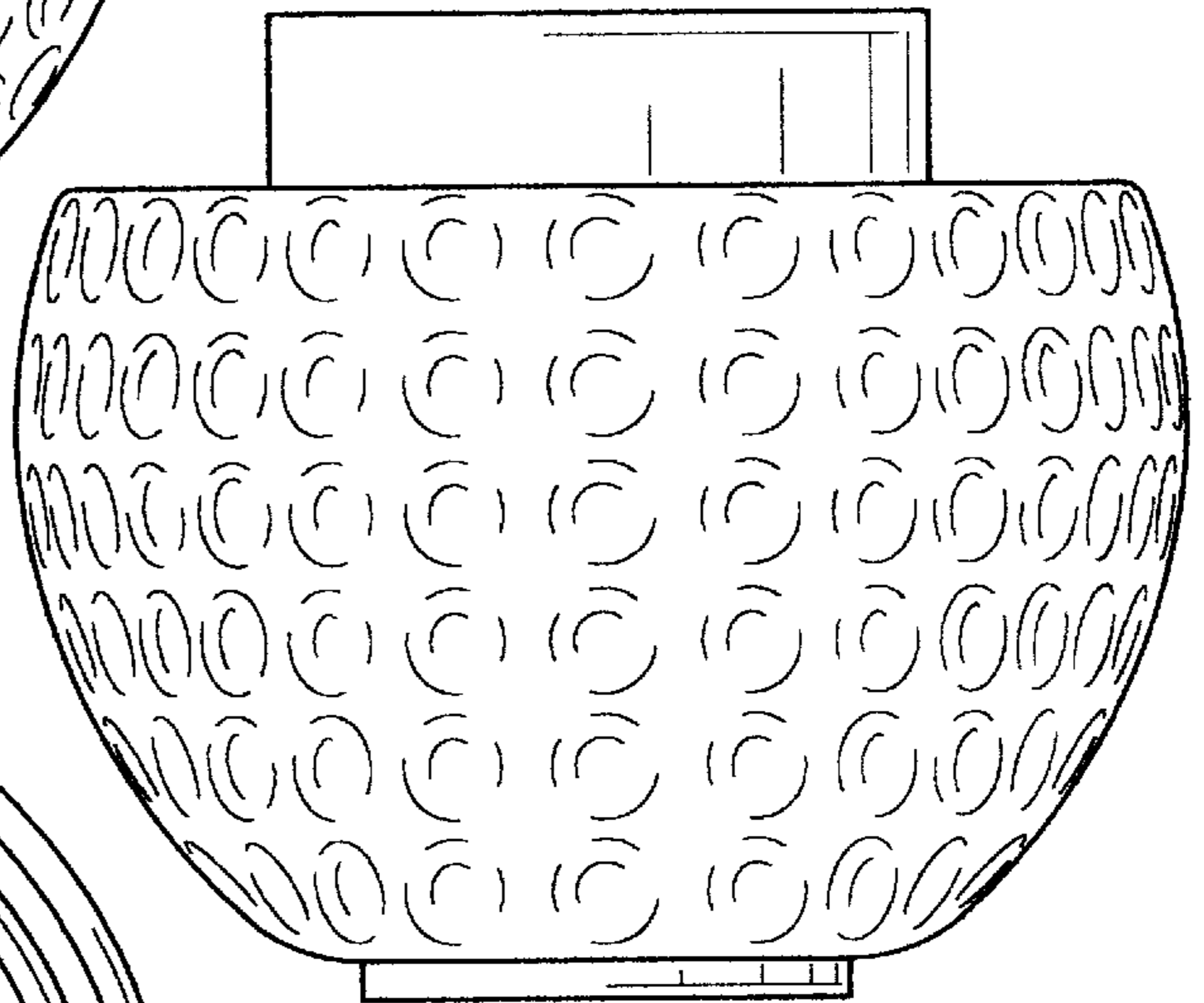


FIG. 2

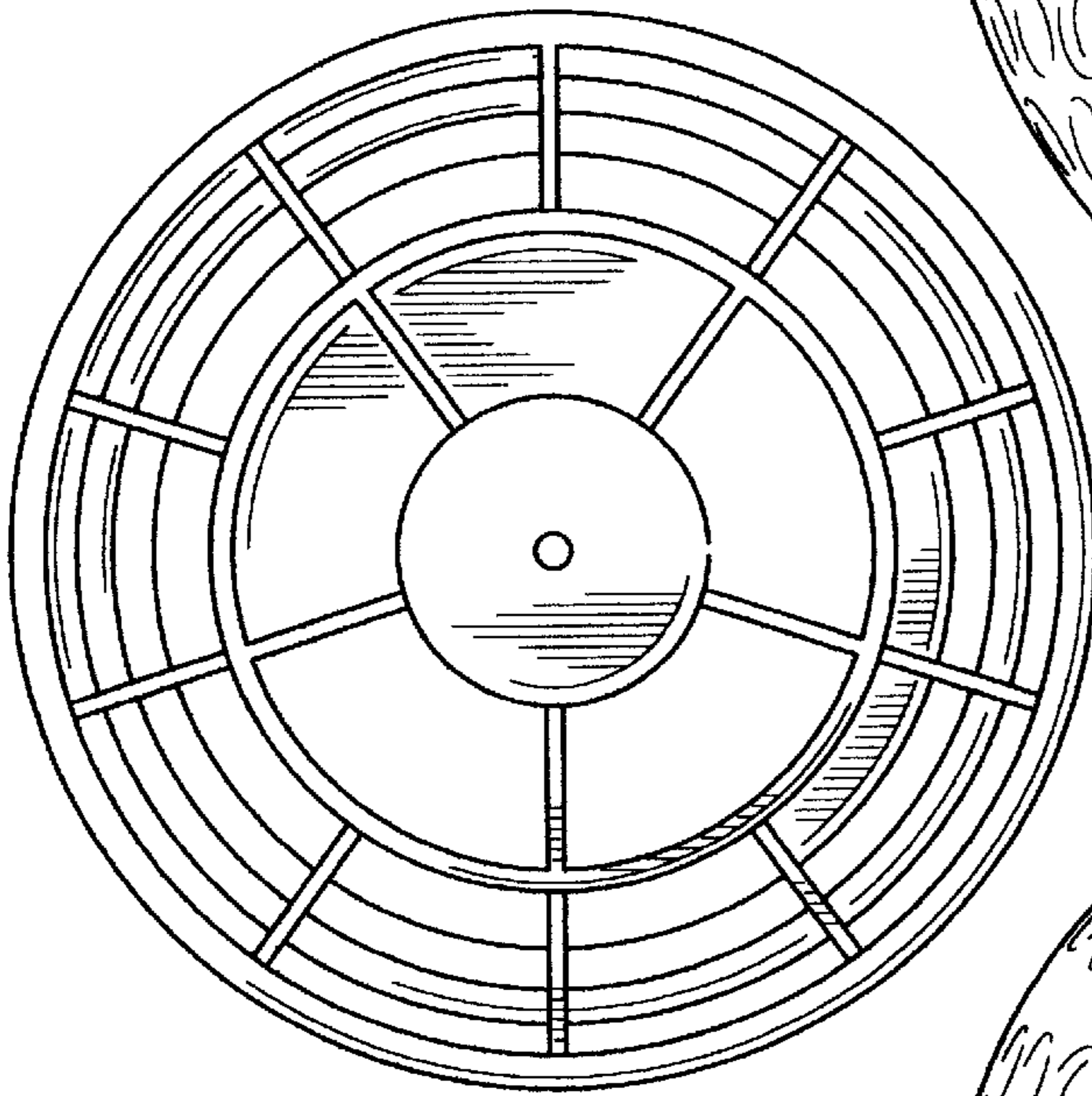


FIG. 3

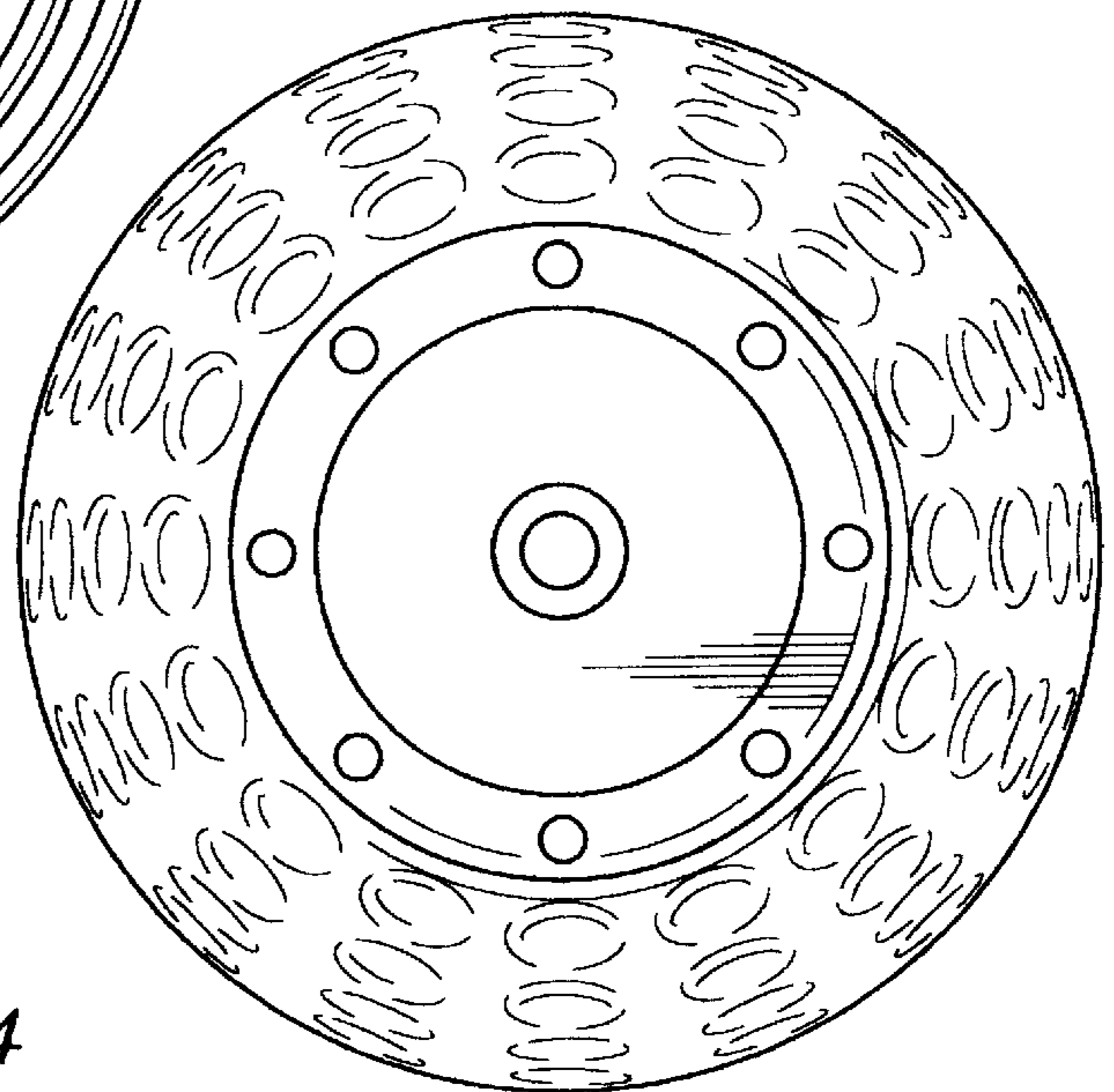


FIG. 4