



US00D433065S

# United States Patent [19]

Mahlke

[11] Patent Number: Des. 433,065

[45] Date of Patent: \*\* Oct. 31, 2000

[54] WRITING INSTRUMENT RETAINER

[76] Inventor: **Matthew Edwin-William Mahlke**,  
10120 Reba Ct., Sacramento, Calif.  
95827

[\*\*] Term: **14 Years**

[21] Appl. No.: **29/114,818**

[22] Filed: **Dec. 2, 1999**

[51] LOC (7) Cl. .... **19-06**

[52] U.S. Cl. .... **D19/85; D19/77; D24/230**

[58] Field of Search ..... D19/65, 35, 36,  
D19/75, 77, 78, 81-85, 95, 99, 100; 206/214,  
224, 371; 211/69, 69.1-69.9, 128.1; D24/224-230;  
D99/34

[56] **References Cited**

**U.S. PATENT DOCUMENTS**

D. 414,210	9/1999	Davis	.....	D19/85
1,478,880	12/1923	Otterbein	.....	211/69.1
1,521,481	12/1924	Spencer	.....	211/69.1
2,637,299	5/1953	Salkey	.	
2,913,789	11/1959	Loredo	.....	211/69.1

3,429,450	2/1969	Lambert	.....	211/69.1
4,155,446	5/1979	Aronson	.	
4,415,092	11/1983	Boyer	.....	211/69.1
4,785,947	11/1988	Avery	.....	211/69.5
4,798,310	1/1989	Kasai	.	
5,100,097	3/1992	Liebig	.	
5,163,549	11/1992	Hayduchok	.	
5,263,593	11/1993	Aida	.....	211/69.1
5,880,713	3/1999	Belardinelli	.....	211/69.1 X

*Primary Examiner*—Martie K. Holtje  
*Attorney, Agent, or Firm*—W. Eric Boyd, Esq.

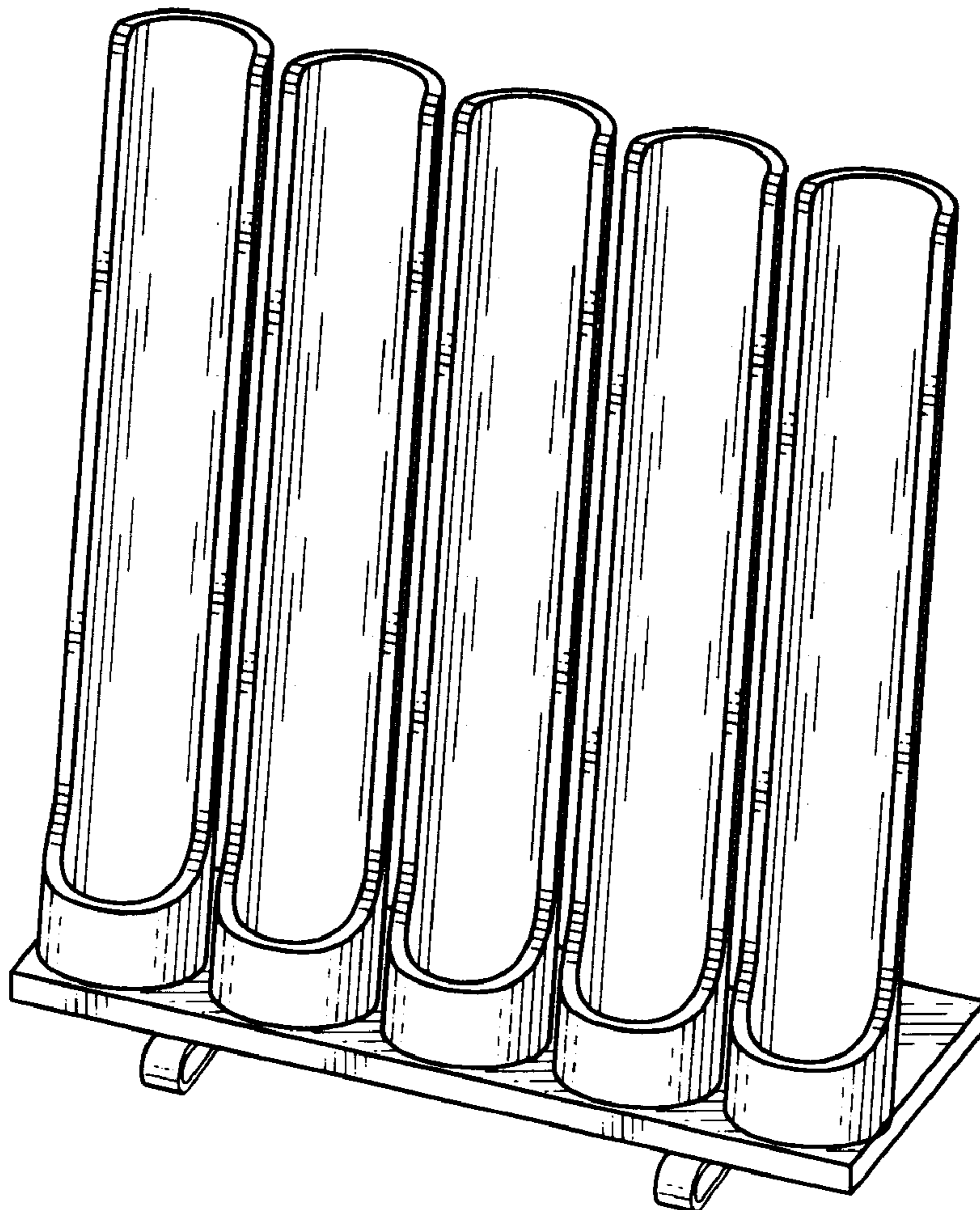
[57] **CLAIM**

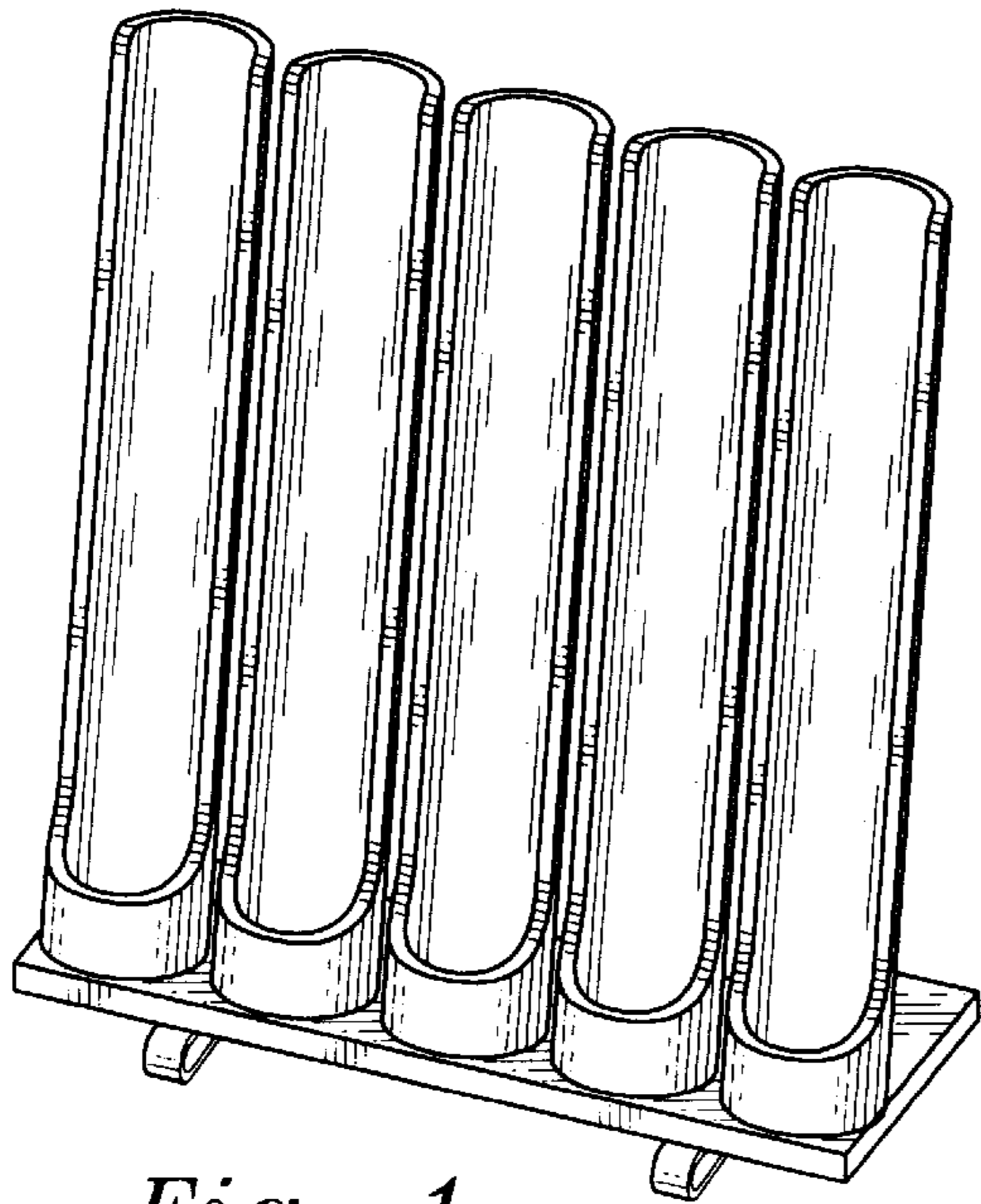
The ornamental design for a writing instrument retainer, as shown and described.

**DESCRIPTION**

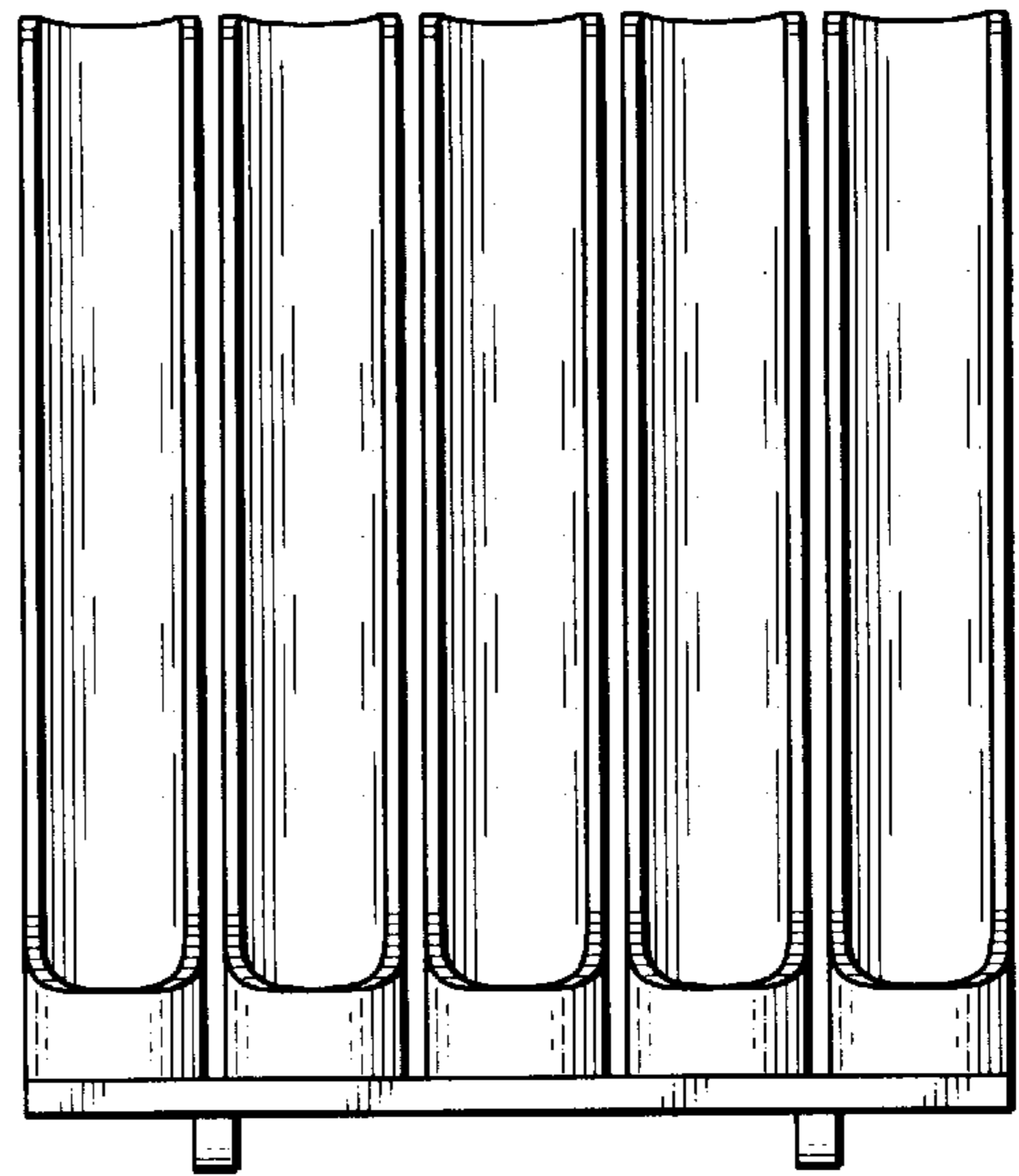
FIG. 1 is a perspective view of a writing instrument retainer showing the design;  
FIG. 2 is a front elevational view thereof;  
FIG. 3 is a rear elevational view thereof;  
FIG. 4 is a side elevational view thereof;  
FIG. 5 is a top plan thereof; and,  
FIG. 6 is a bottom plan view thereof;

**1 Claim, 1 Drawing Sheet**

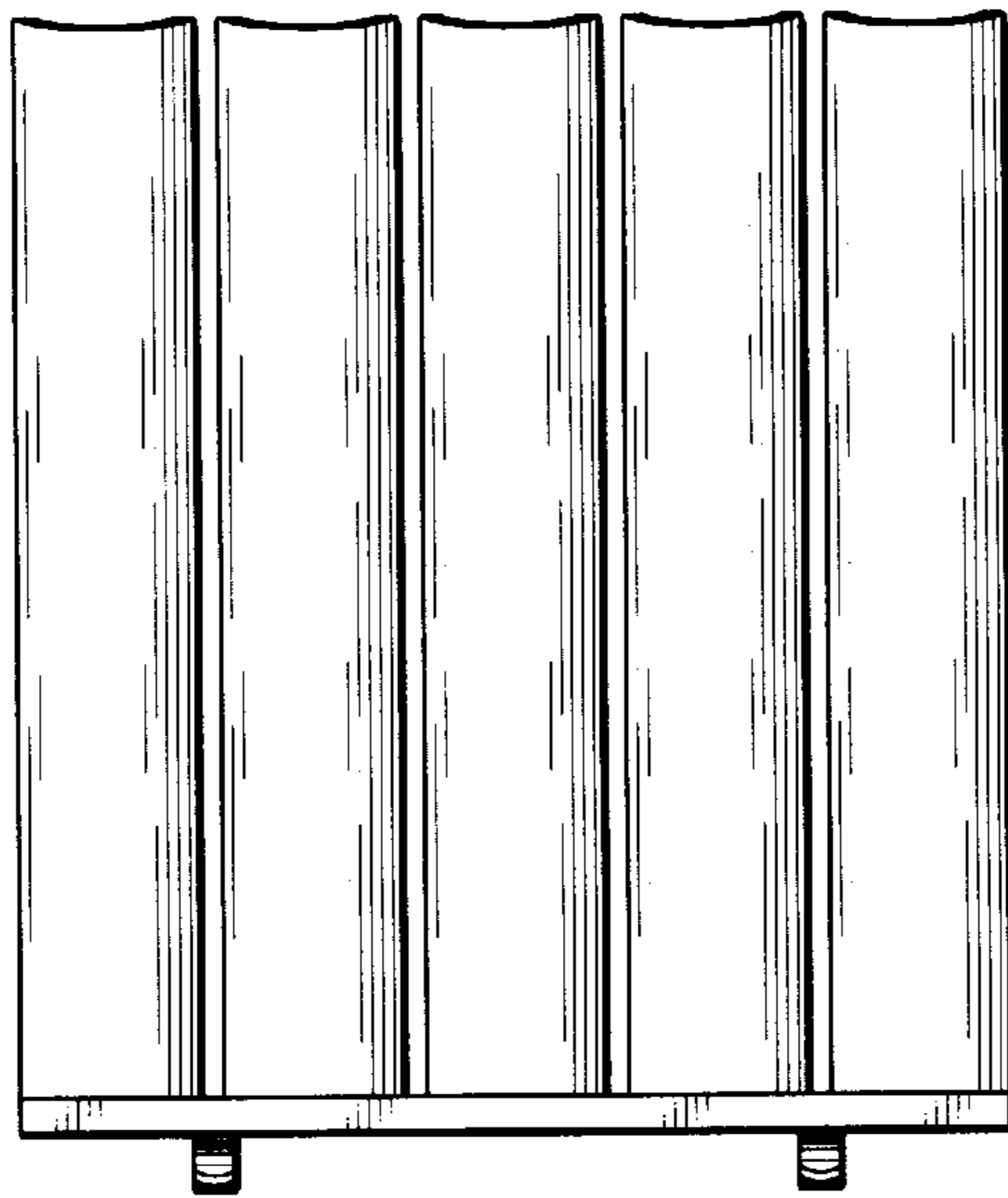




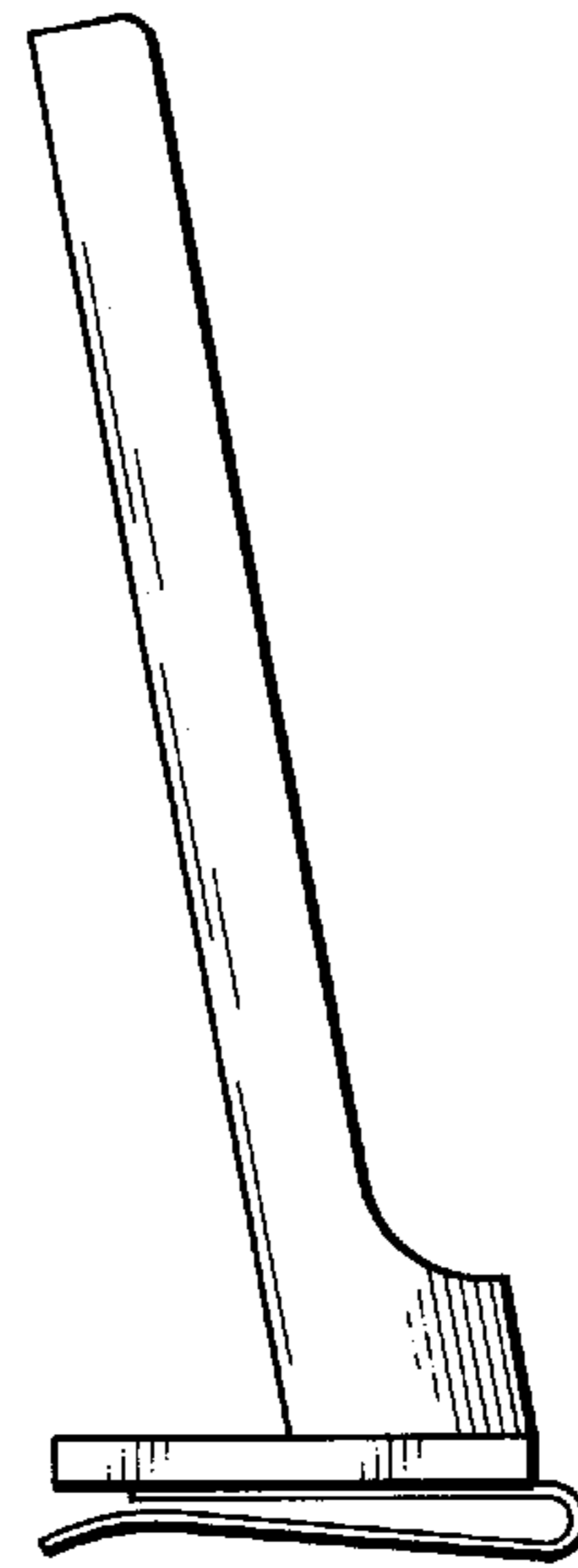
*Fig. 1*



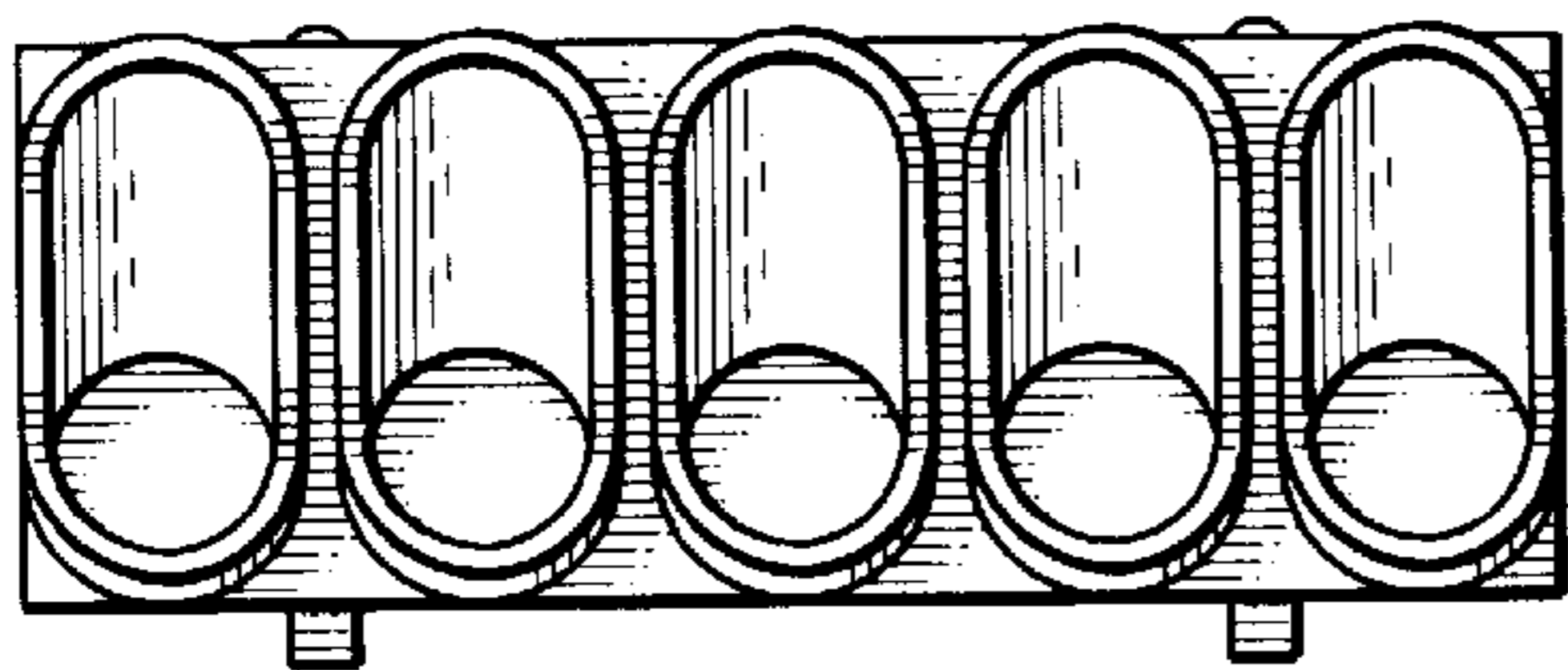
*Fig. 2*



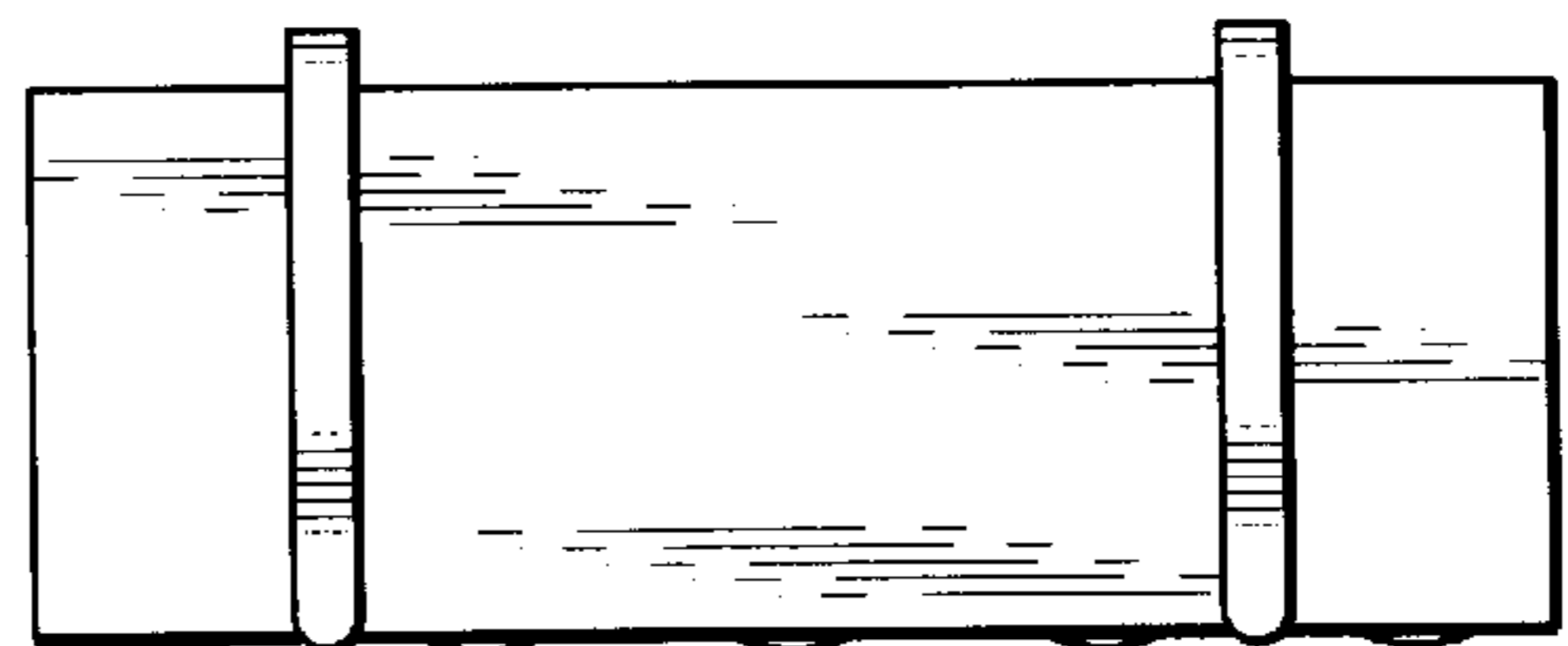
*Fig. 3*



*Fig. 4*



*Fig. 5*



*Fig. 6*