



US00D433057S

United States Patent [19]

[11] **Patent Number: Des. 433,057**

Chu et al.

[45] **Date of Patent: ** Oct. 31, 2000**

[54] **CALCULATOR**

[75] Inventors: **William H. K. Chu; Shu-Chai Chang,**
both of Taipei, Taiwan

[73] Assignee: **Limax Electronics Co., Ltd.,** Taipei,
Taiwan

[**] Term: **14 Years**

[21] Appl. No.: **29/112,906**

[22] Filed: **Oct. 26, 1999**

[51] **LOC (7) Cl.** **18-01**

[52] **U.S. Cl.** **D18/7**

[58] **Field of Search** D18/1, 2, 6, 7,
D18/11; D19/26, 27; 235/419, 472.01, 61 R;
364/706-710

[56] **References Cited**

U.S. PATENT DOCUMENTS

- D. 290,375 6/1987 Nava D19/26
- D. 356,111 3/1995 Casteneda, Jr. D19/27
- D. 383,731 9/1997 Miki et al. D18/7 X

Primary Examiner—Caron D. Veynar
Attorney, Agent, or Firm—Dougherty & Troxell

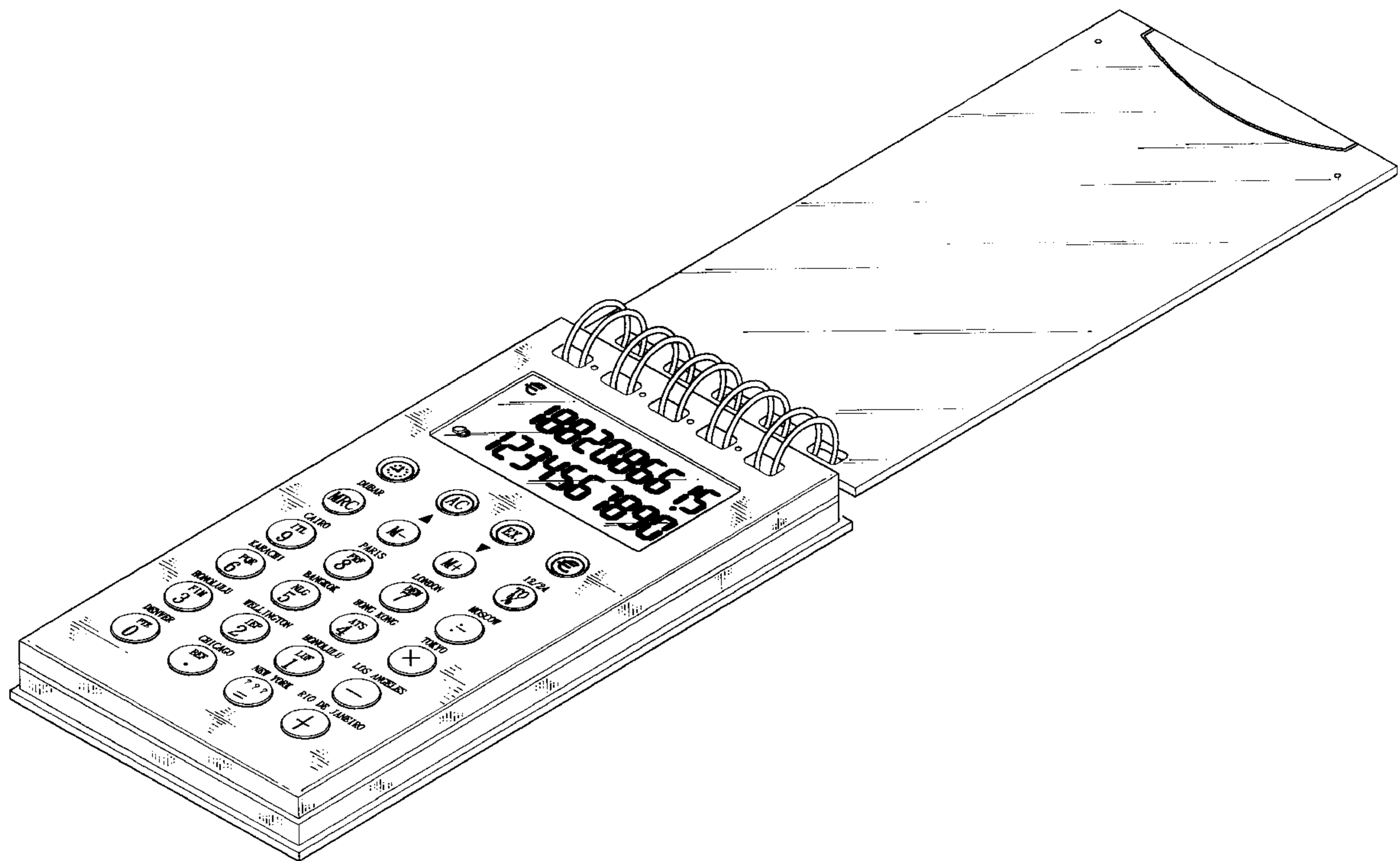
[57] **CLAIM**

The ornamental design for the calculator, as shown and described.

DESCRIPTION

FIG. 1 is a perspective view of the calculator in open state showing the new design;
 FIG. 2 is a front view of the calculator in open state;
 FIG. 3 is a rear view of the calculator in open state;
 FIG. 4 is a left side view of the calculator in open state;
 FIG. 5 is a right side view of the calculator in open state;
 FIG. 6 is a top view of the calculator in open state;
 FIG. 7 is a bottom view of the calculator in open state;
 FIG. 8 is a perspective view of the calculator in close state;
 FIG. 9 is a front view of the calculator in close state;
 FIG. 10 is a rear view of the calculator in close state;
 FIG. 11 is a left side view of the calculator in close state;
 FIG. 12 is a right side view of the calculator in close state;
 FIG. 13 is a top view of the calculator in close state; and,
 FIG. 14 is a bottom of the calculator in close state.

1 Claim, 10 Drawing Sheets



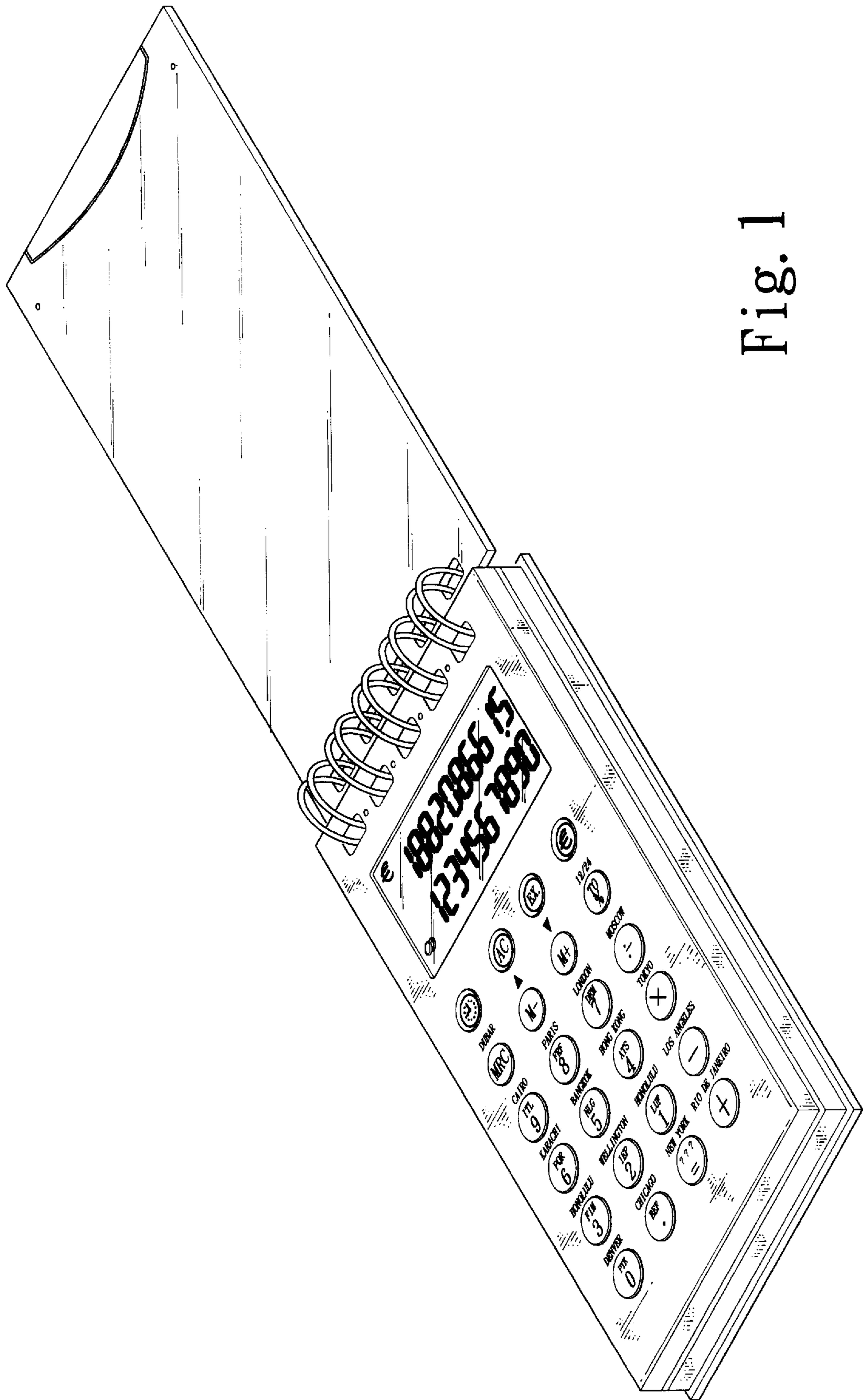


Fig. 1

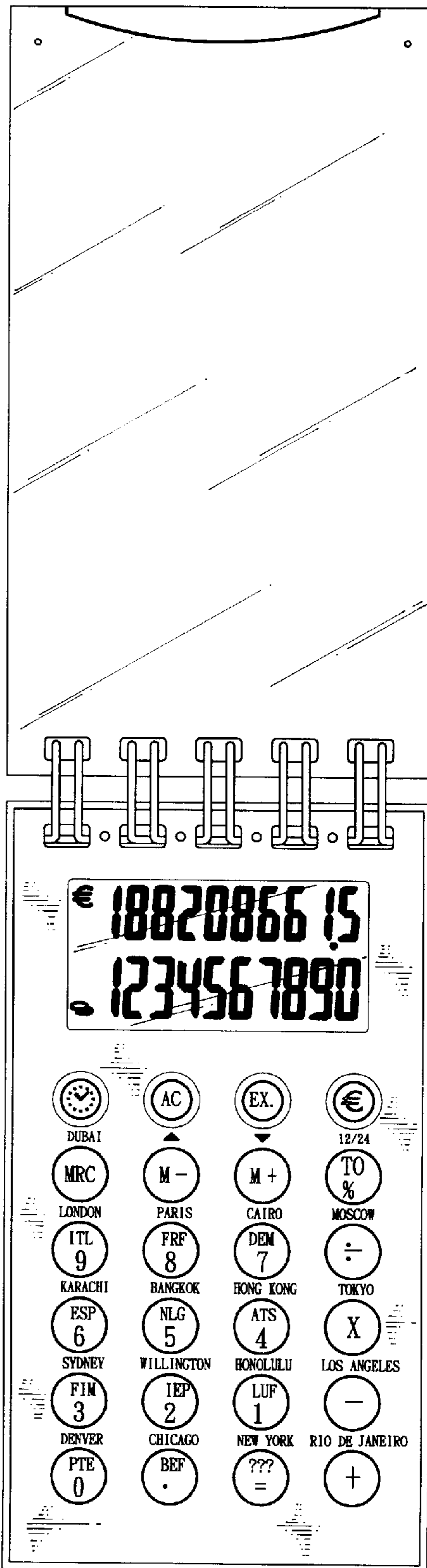


Fig. 2

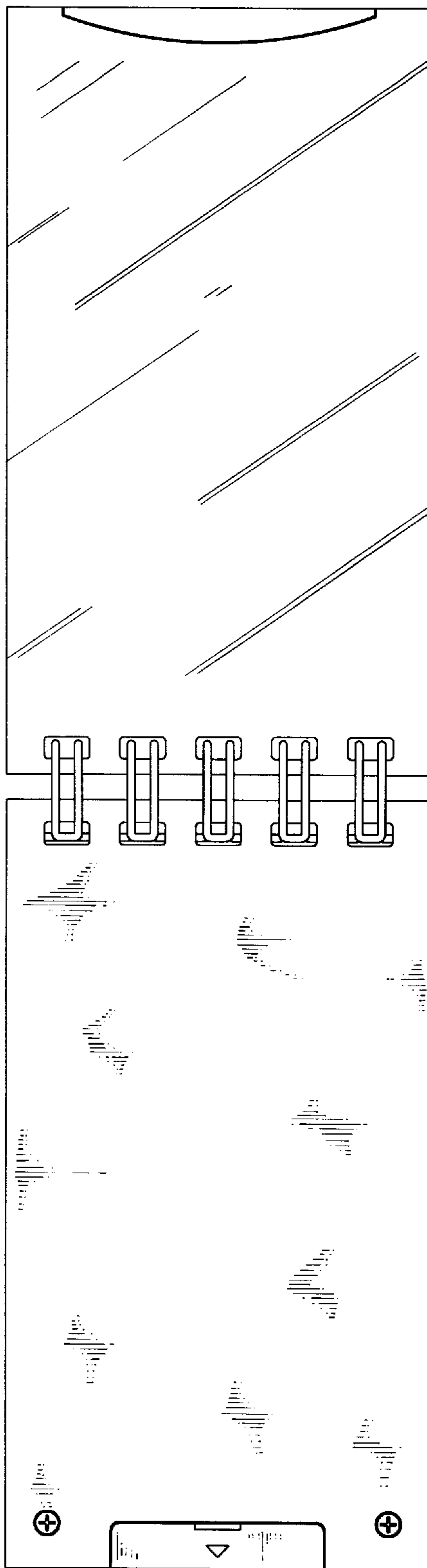


Fig. 3

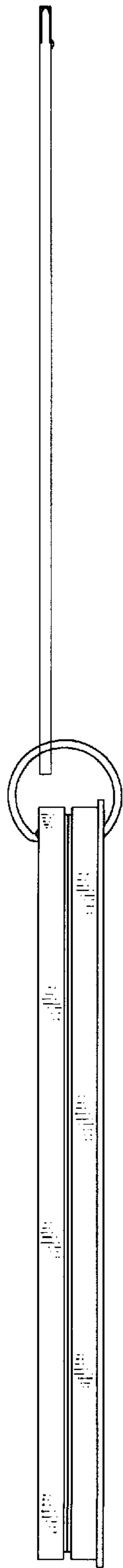


Fig. 4

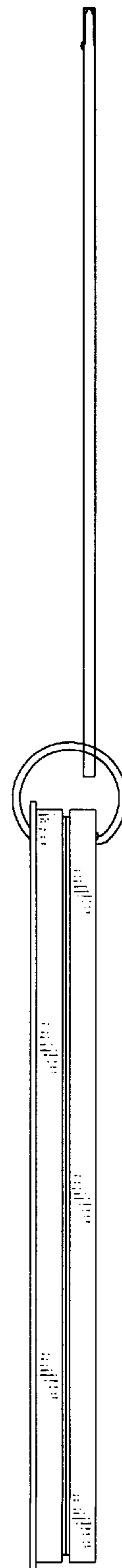


Fig. 5

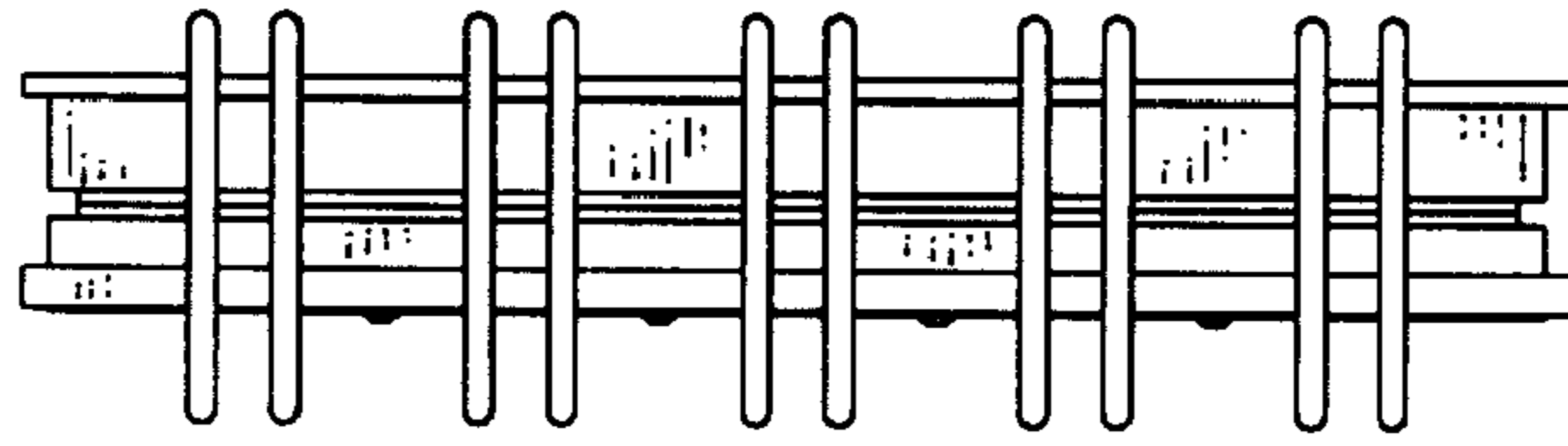


Fig. 6

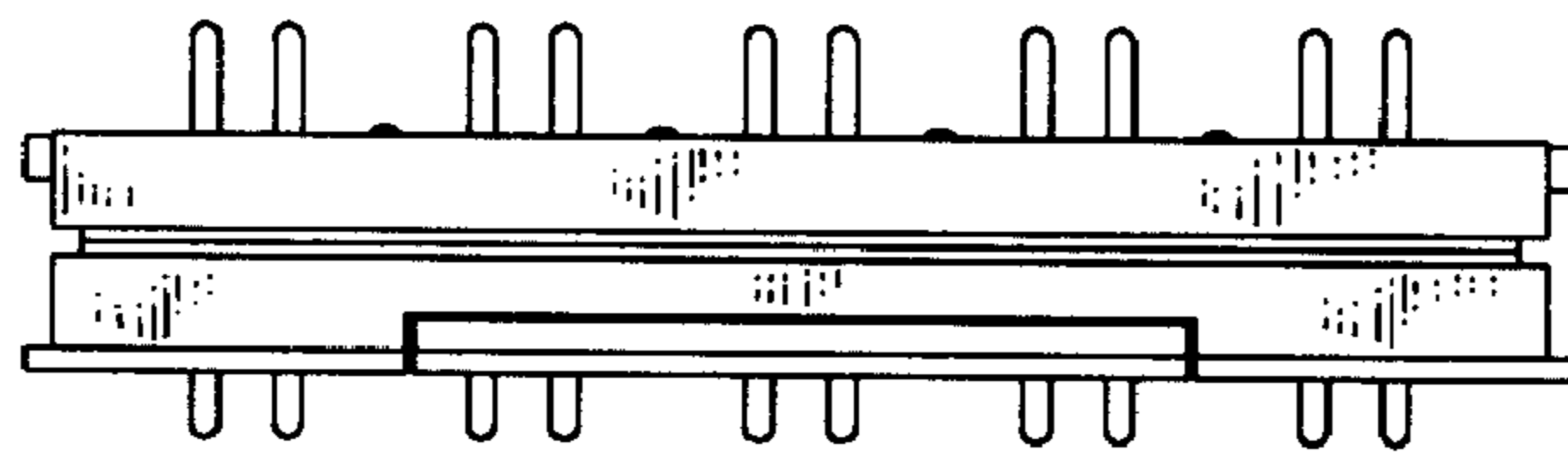


Fig. 7

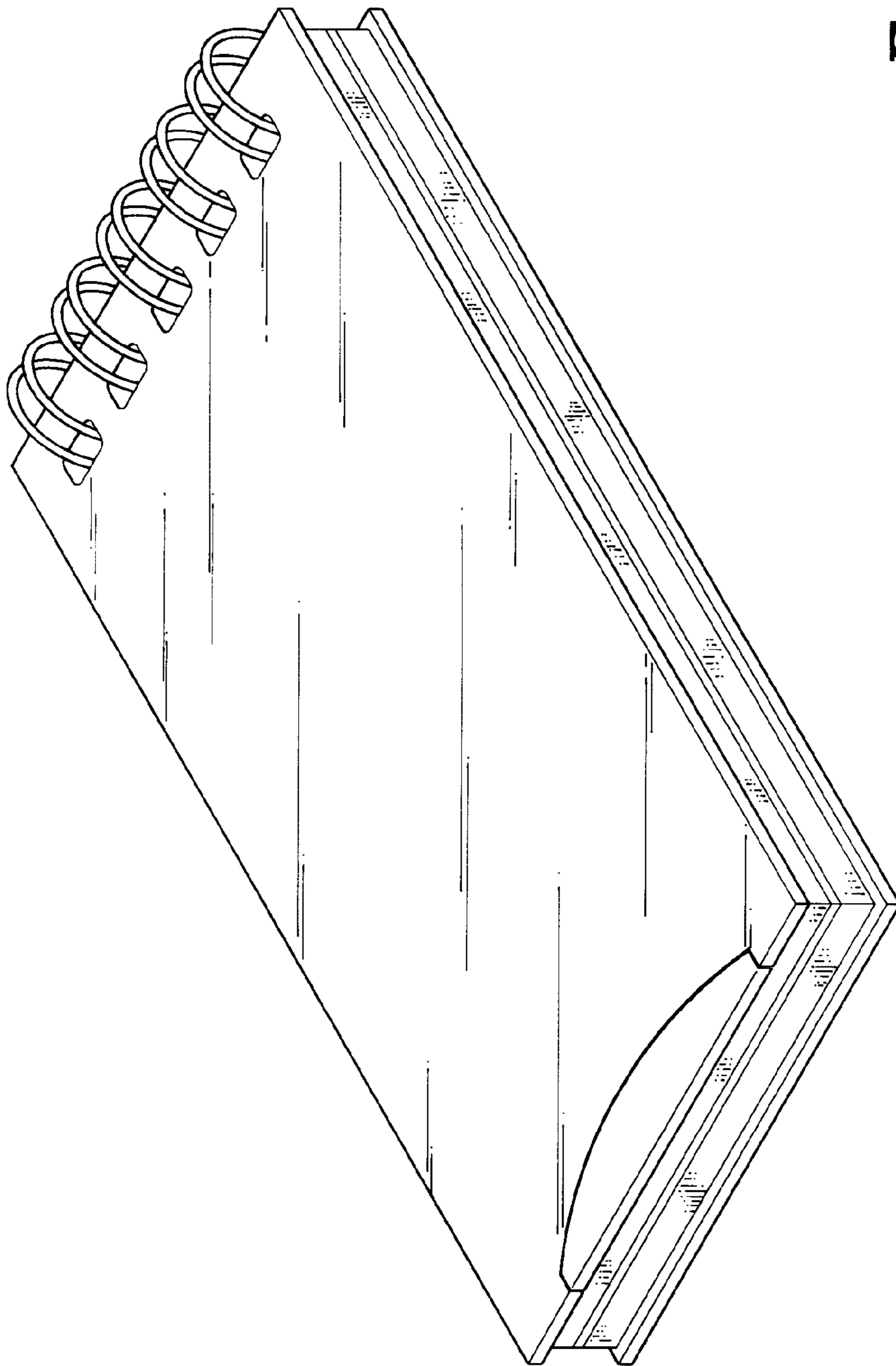


Fig. 8

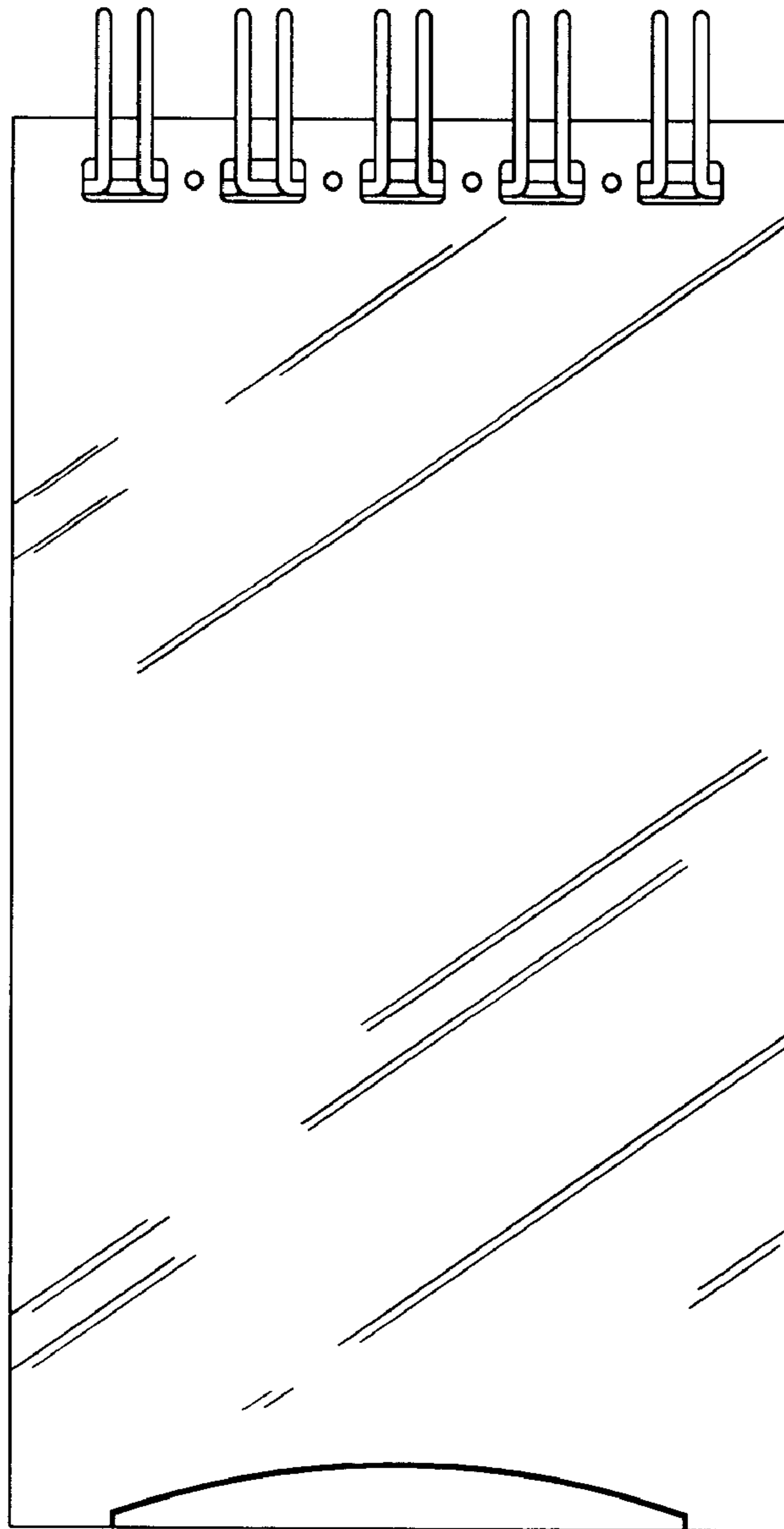


Fig. 9



Fig. 10

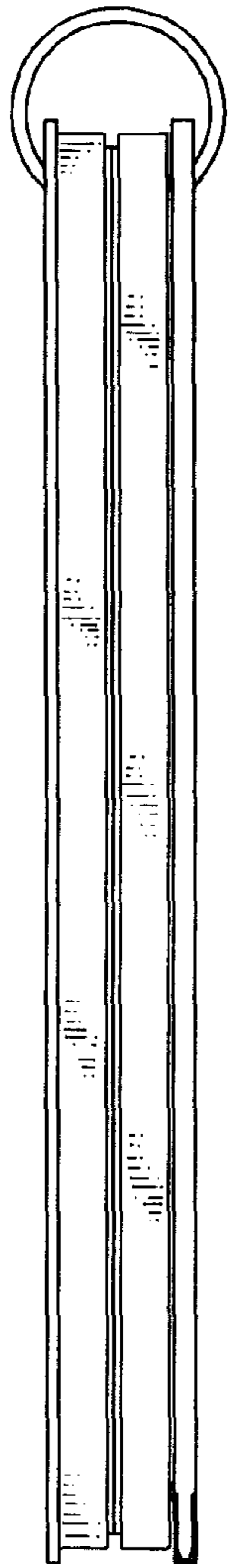


Fig. 11

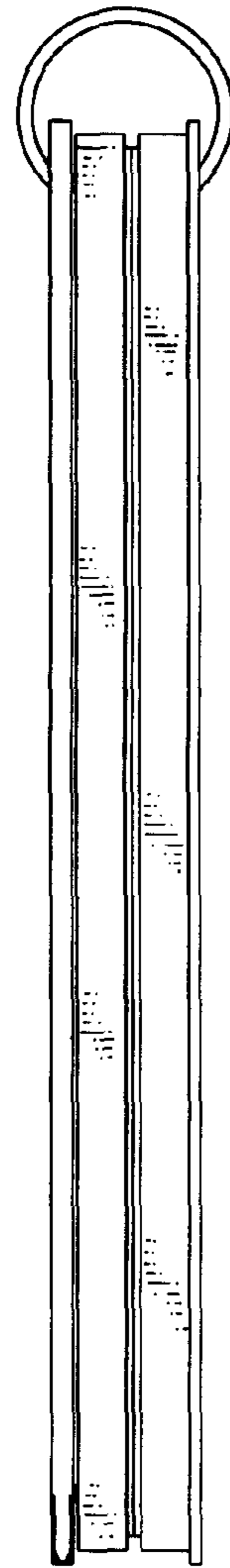


Fig. 12

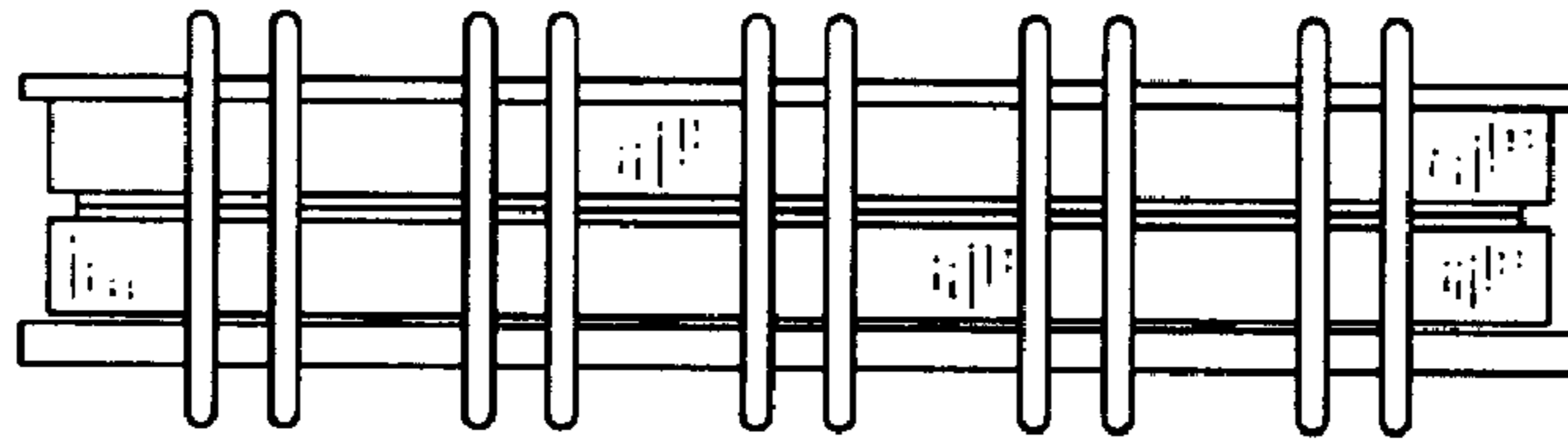


Fig. 13

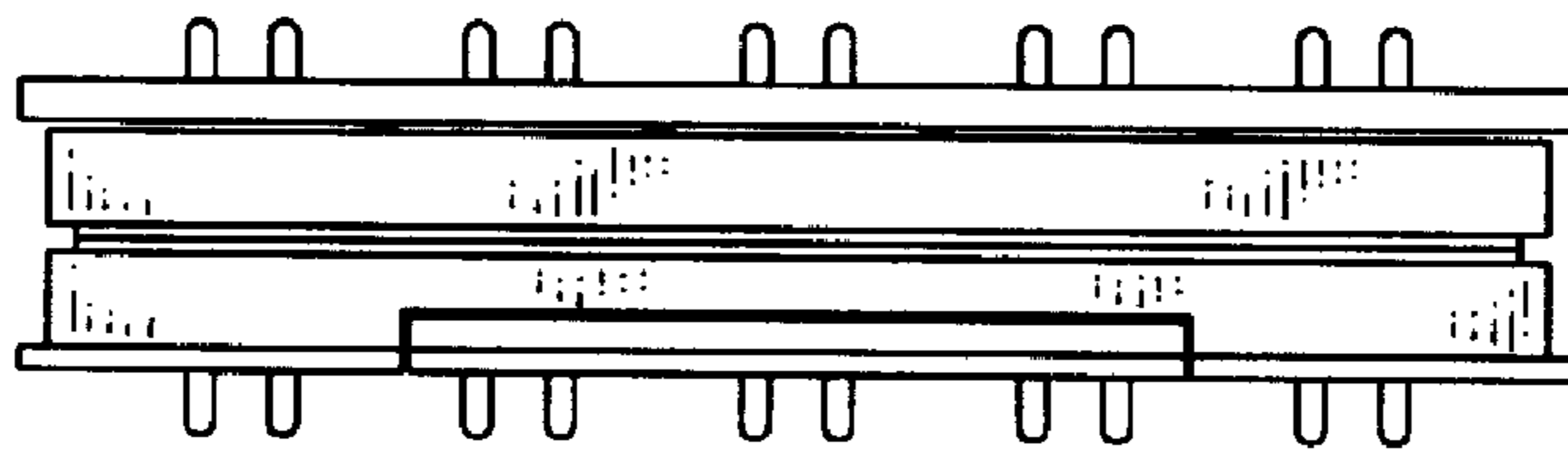


Fig. 14