



US00D433049S

# United States Patent [19] Murakami

[11] **Patent Number: Des. 433,049**

[45] **Date of Patent: \*\* Oct. 31, 2000**

[54] **PROJECTOR**

[75] Inventor: **Tomonari Murakami**, Tokyo, Japan

[73] Assignee: **Sony Corporation**, Japan

[\*\*] Term: **14 Years**

[21] Appl. No.: **29/114,996**

[22] Filed: **Dec. 7, 1999**

[30] **Foreign Application Priority Data**

Jun. 9, 1999 [JP] Japan ..... 11-14884

[51] **LOC (7) Cl.** ..... **16-02**

[52] **U.S. Cl.** ..... **D16/231; D16/234**

[58] **Field of Search** ..... D16/200-206,  
D16/208, 213, 221, 225, 230, 231, 234;  
D21/514; 352/34, 242; 353/115, 119, 122

[56] **References Cited**

**U.S. PATENT DOCUMENTS**

- D. 331,768 12/1992 Saeki et al. .... D16/225
- D. 356,103 3/1995 Saeki et al. .... D16/221
- D. 387,795 12/1997 Sakamoto ..... D16/231
- D. 398,019 8/1998 Uchara ..... D16/231
- D. 398,622 9/1998 Saeki et al. .... D16/231

- D. 409,644 5/1999 Uchara ..... D16/234
- D. 414,794 10/1999 Isono ..... D16/230
- D. 420,033 2/2000 Takano et al. .... D16/231
- 5,868,485 2/1999 Fujimori et al. .... 353/119

**OTHER PUBLICATIONS**

Catalog "91", pp. 47, 48 & 49, Sony (Mar. 1999).  
Japanese examined patent, H4-342, Oct. 1998.

*Primary Examiner*—Adir Aronovich  
*Attorney, Agent, or Firm*—Rader, Fishman & Grauer

[57] **CLAIM**

The ornamental design for a projector, as shown and described.

**DESCRIPTION**

FIG. 1 is a perspective view of a projector showing my new design;  
FIG. 2 is a top plan view thereof;  
FIG. 3 is a bottom plan view thereof;  
FIG. 4 is a left side elevational view thereof;  
FIG. 5 is a right side elevational view thereof;  
FIG. 6 is a front elevational view thereof; and,  
FIG. 7 is a rear elevational view thereof.

**1 Claim, 4 Drawing Sheets**

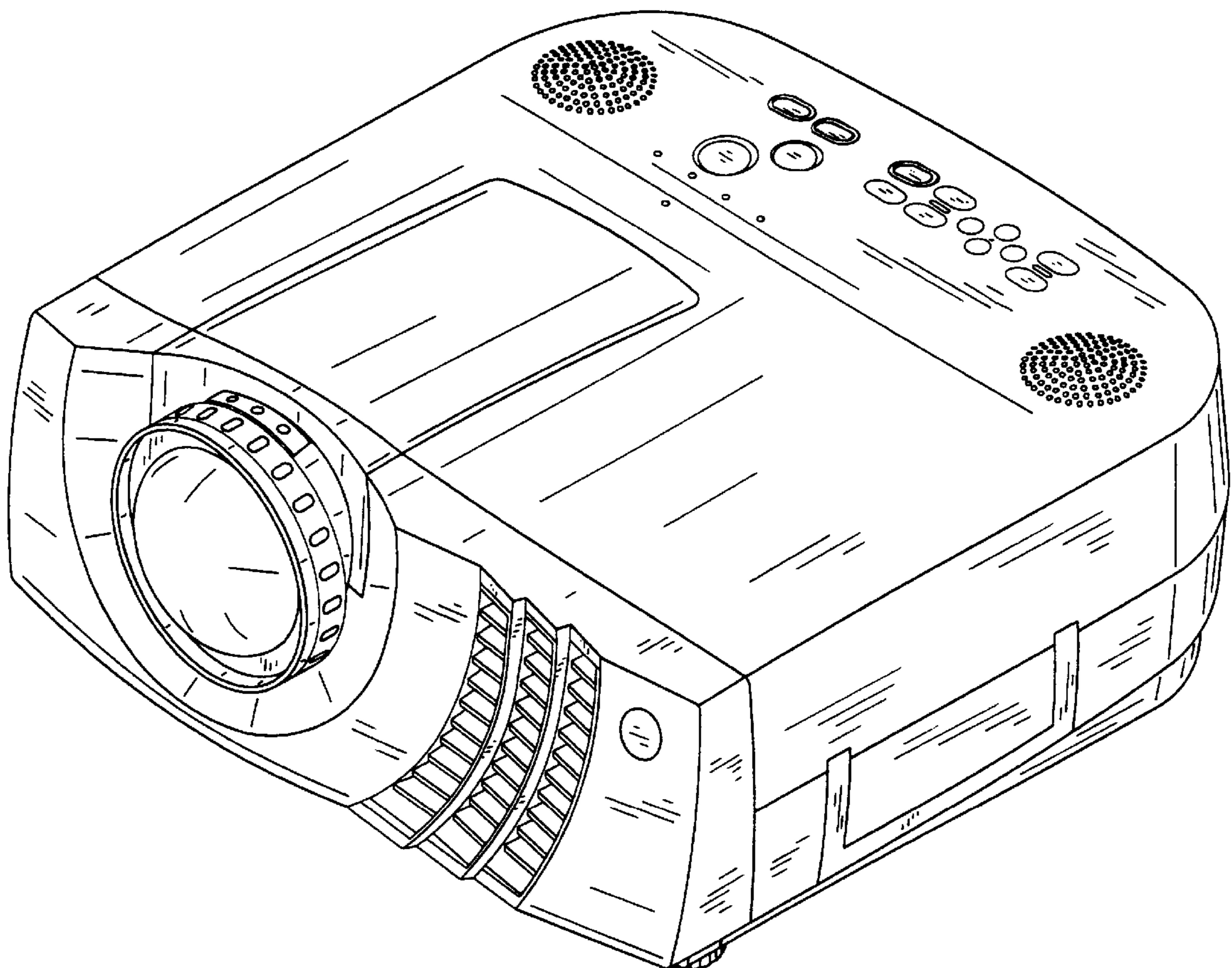


FIG. 1

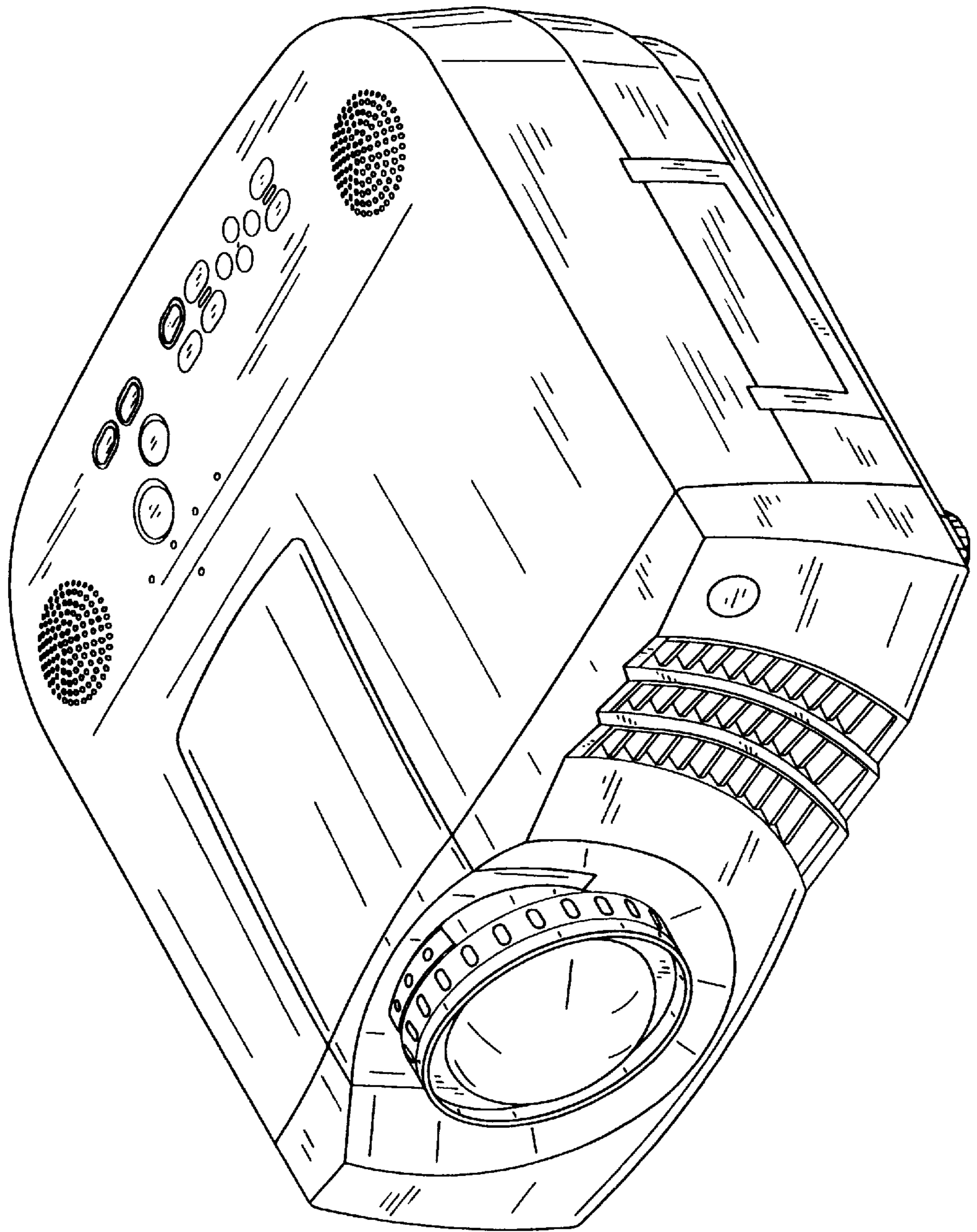


FIG. 3

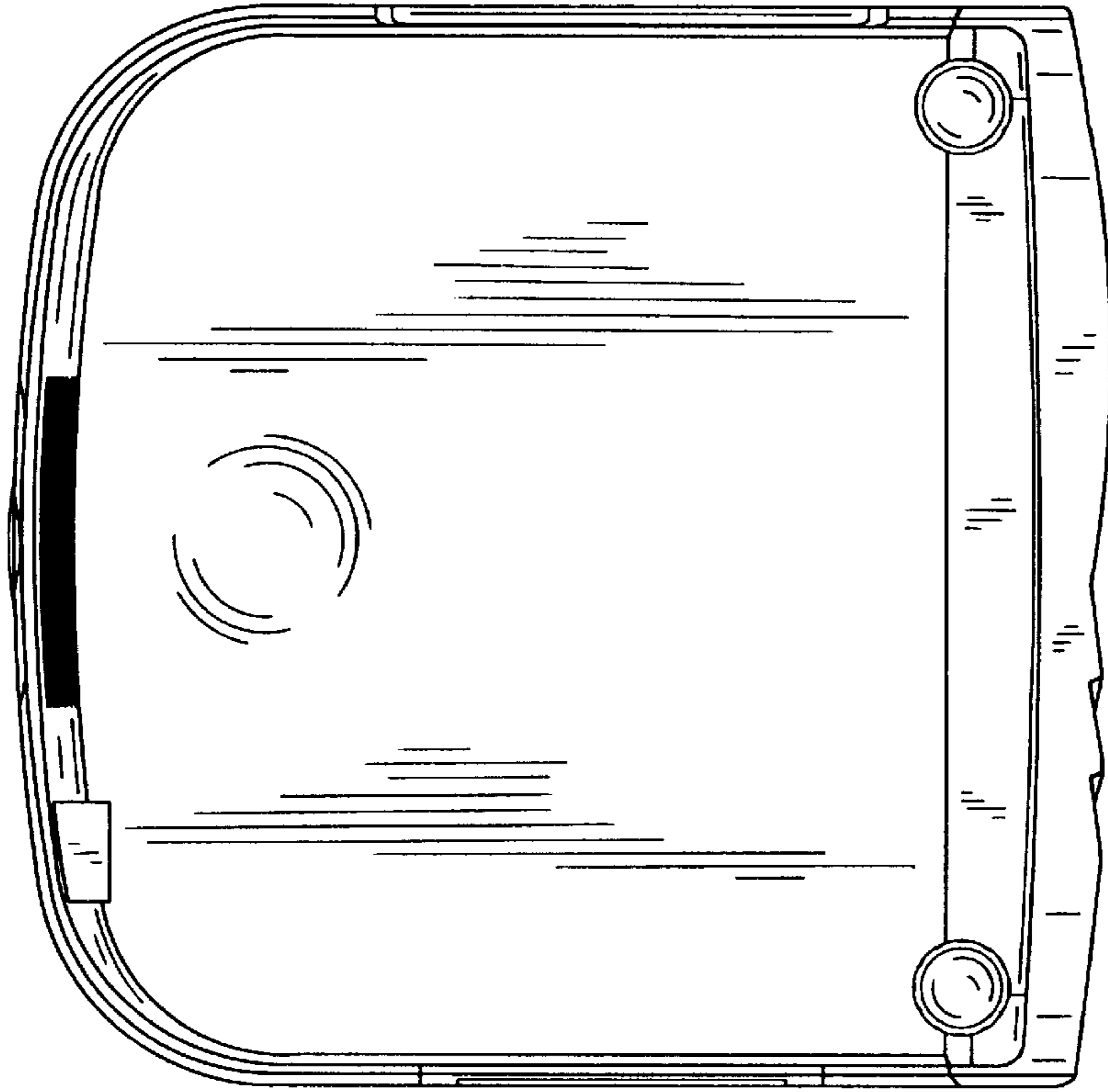


FIG. 2

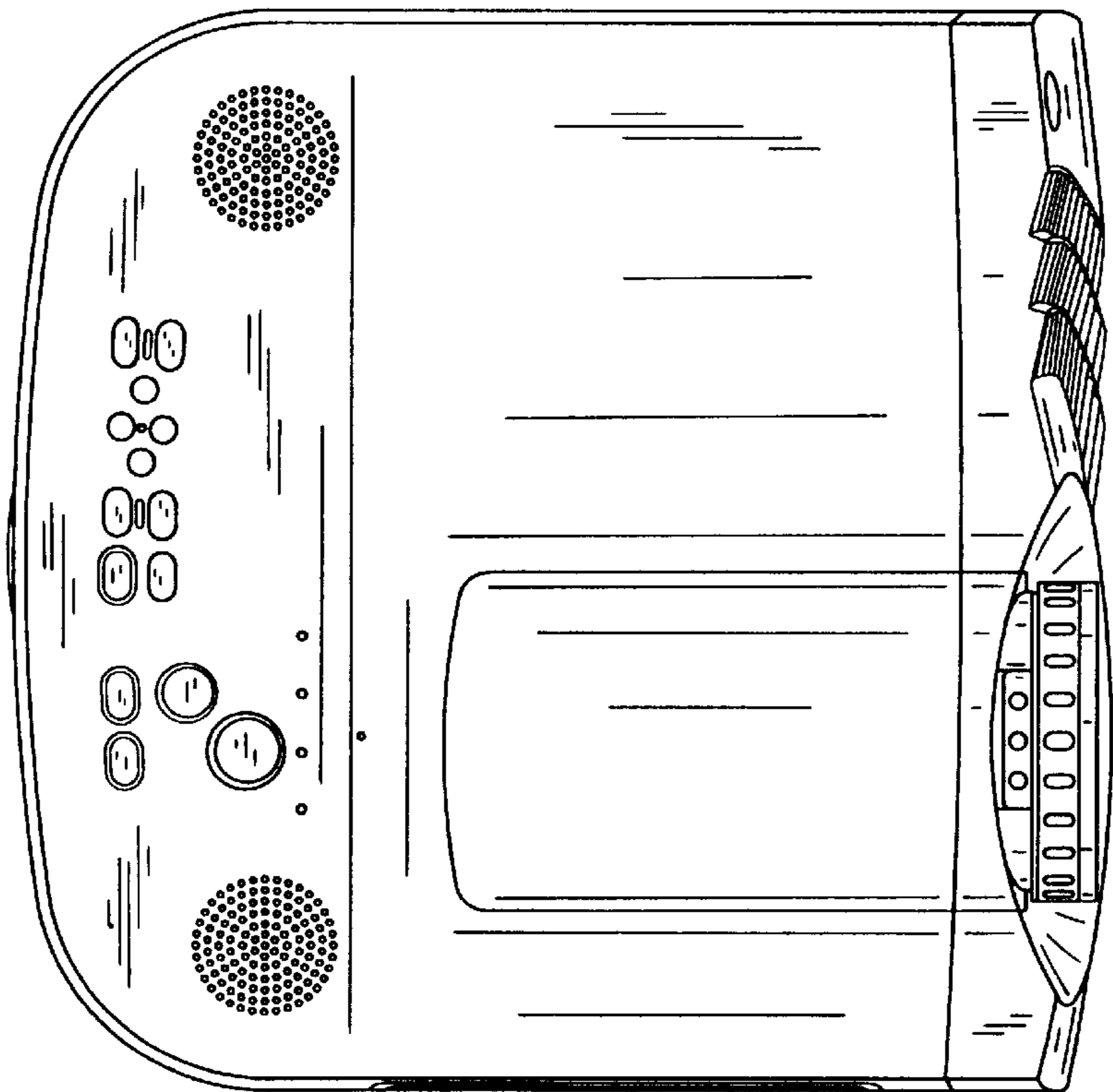


FIG. 5

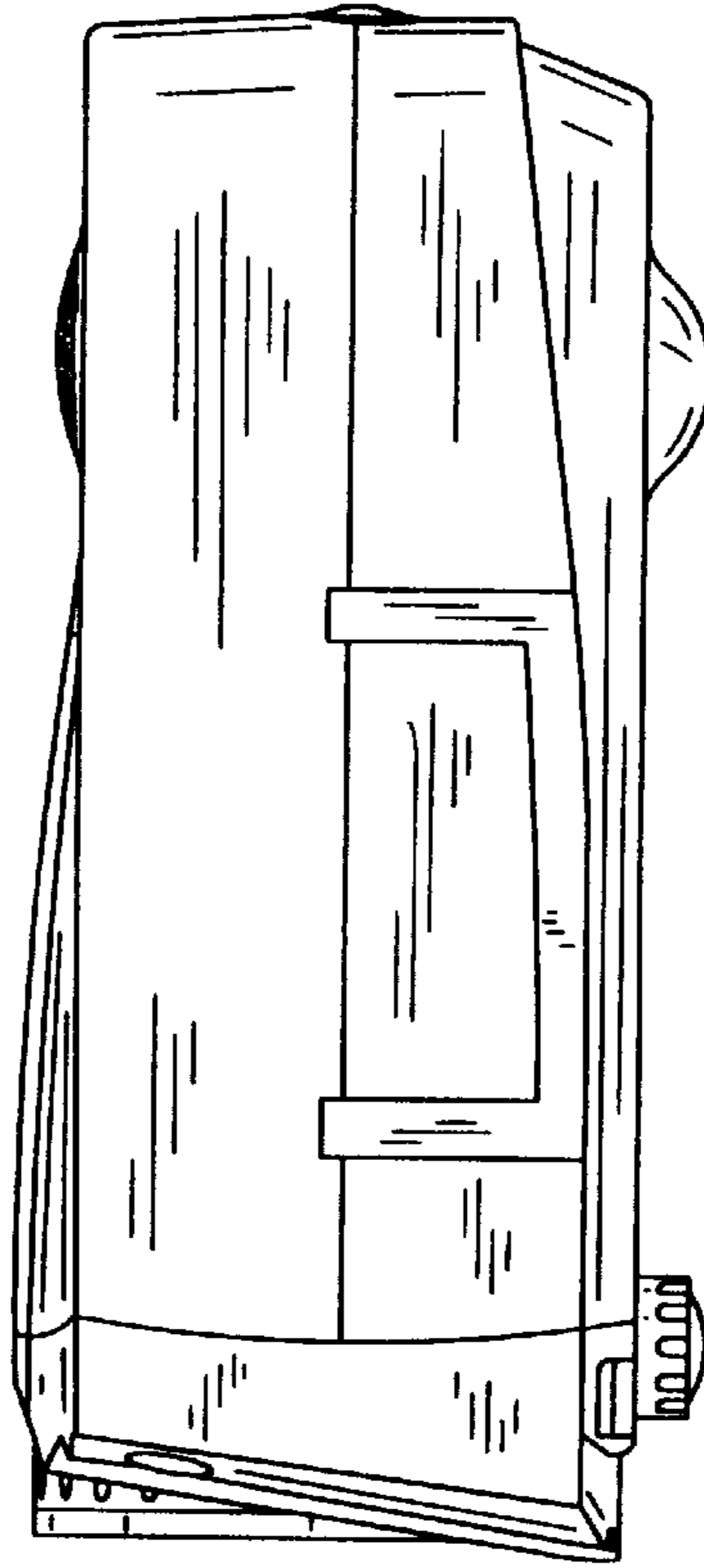


FIG. 4

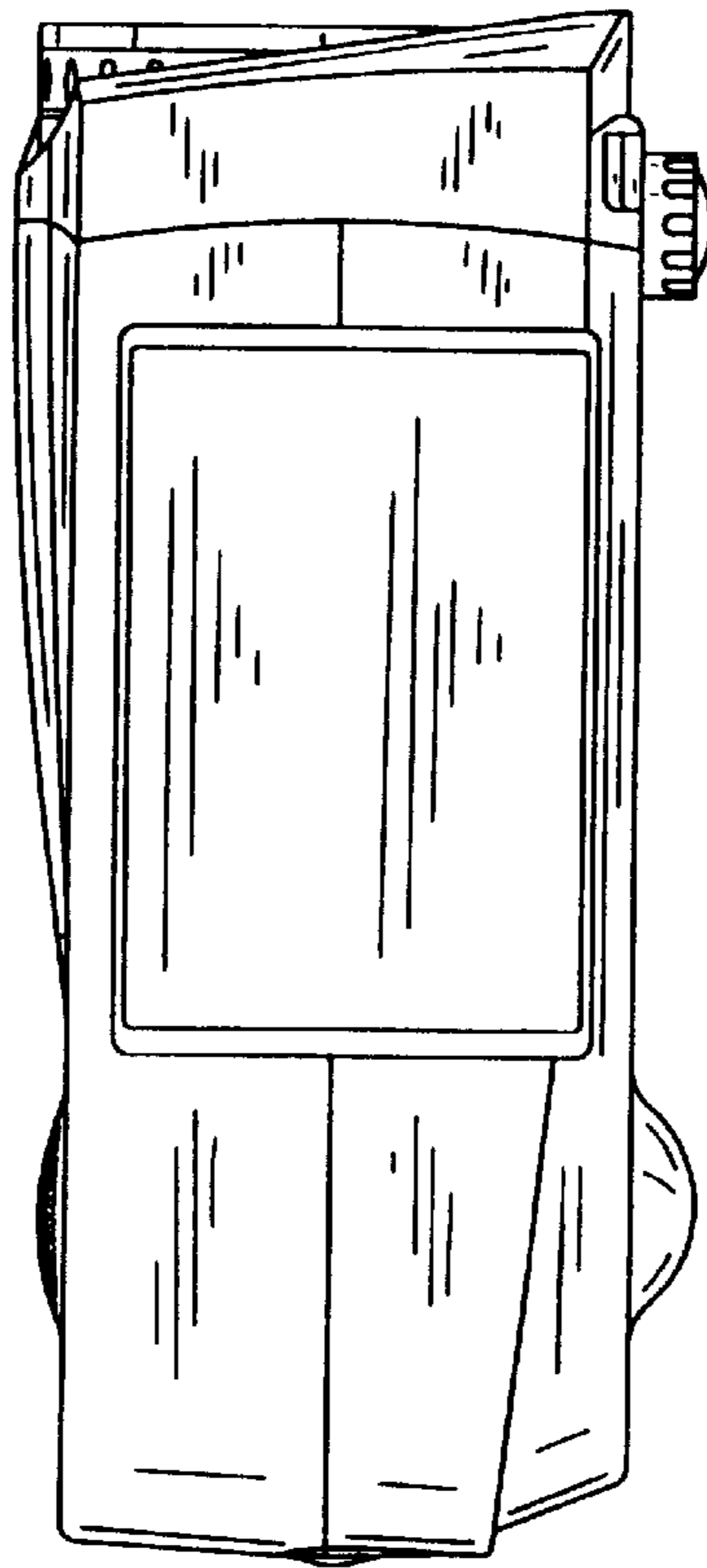


FIG. 7

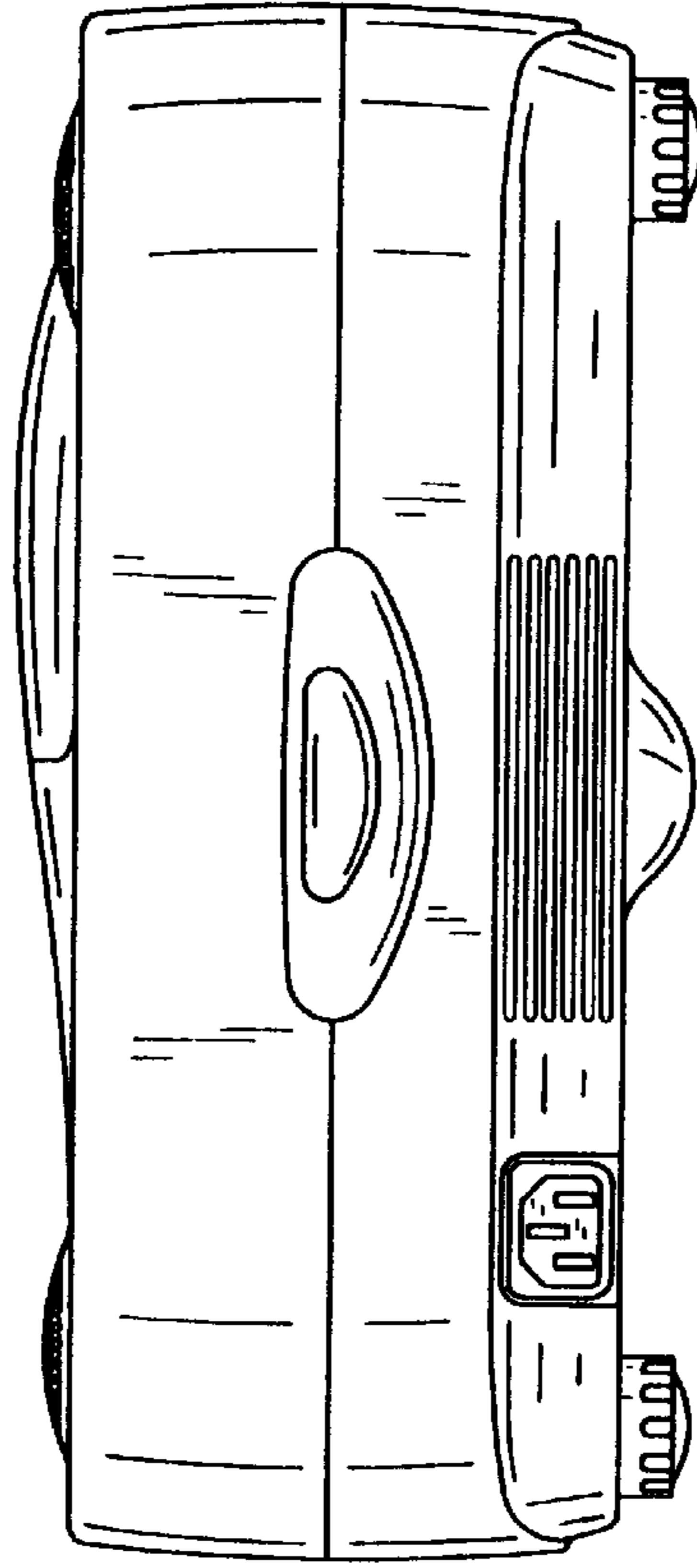


FIG. 6

