



US00D433046S

# United States Patent [19] Hall et al.

[11] **Patent Number: Des. 433,046**  
[45] **Date of Patent: \*\* Oct. 31, 2000**

[54] **VIDEOPHONE**

[75] Inventors: **Tracy R. Hall**, Santa Clara; **Keith Barraclough**, Menlo Park; **Bryan R. Martin**, Campbell, all of Calif.

[73] Assignee: **8x8 Inc.**, Santa Clara, Calif.

[\*\*] Term: **14 Years**

[21] Appl. No.: **29/092,184**

[22] Filed: **Aug. 13, 1998**

### Related U.S. Application Data

[63] Continuation-in-part of application No. 29/072,368, Jun. 16, 1997, Pat. No. Des. 408,041, and a continuation-in-part of application No. 08/796,909, Feb. 6, 1997.

[51] **LOC (7) Cl.** ..... **16-01**

[52] **U.S. Cl.** ..... **D16/202; D14/130**

[58] **Field of Search** ..... **D16/200-206, D16/208; D14/130, 114; 348/14-20, 143, 373, 374-376; 358/906, 909.1; 396/535-543; 248/917, 918, 921, 922, 923, 349.1; H04N 2/225**

[56] **References Cited**

### U.S. PATENT DOCUMENTS

D. 355,205 2/1995 Yokoi ..... D16/202  
D. 359,499 6/1995 Gower et al. .... D16/202

D. 363,299 10/1995 Nomura ..... D16/202  
D. 374,242 10/1996 Yamanouchi ..... D16/202  
D. 386,195 11/1997 Oates ..... D16/202  
D. 390,858 2/1998 Wen ..... D16/203  
5,850,998 12/1998 Parsey et al. .... 248/918

### FOREIGN PATENT DOCUMENTS

8-102882 4/1996 Japan ..... H04N 5/225

### OTHER PUBLICATIONS

Sanyo New Product Information Page, (USB Camera MMC-U10), 1997.

*Primary Examiner*—Adir Aronovich

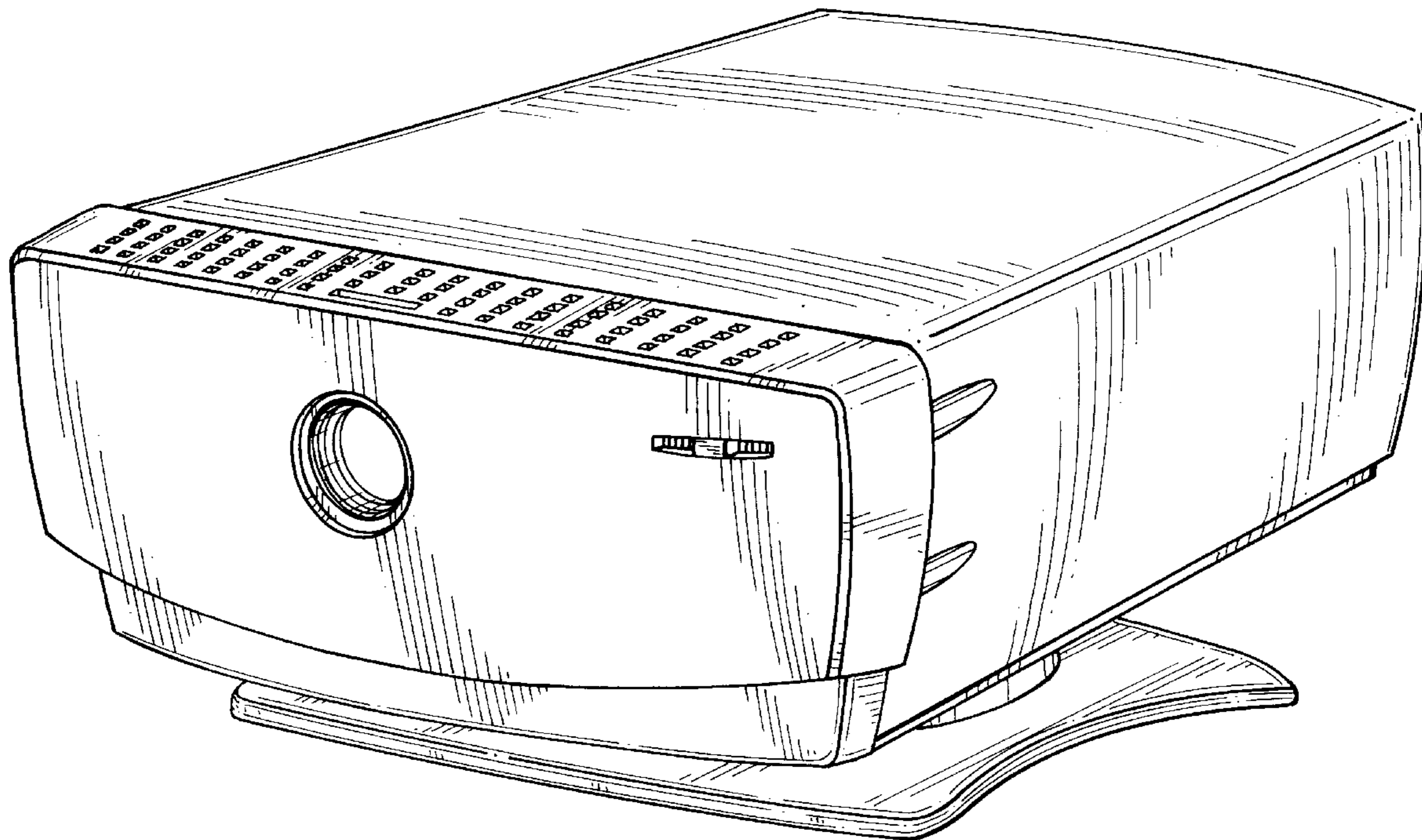
[57] **CLAIM**

The ornamental design for a videophone, as shown and described.

### DESCRIPTION

FIG. 1 is a front and right side perspective view of a videophone showing our new design; FIG. 2 is a front side elevational view of the videophone of FIG. 1; FIG. 3 is a top plan view of the videophone of FIG. 1; and, FIG. 4 shows FIG. 1 from a right side elevational view, which is the same as a left side elevational view. The undisclosed bottom and back portions of the videophone form no part of the claimed design.

**1 Claim, 4 Drawing Sheets**



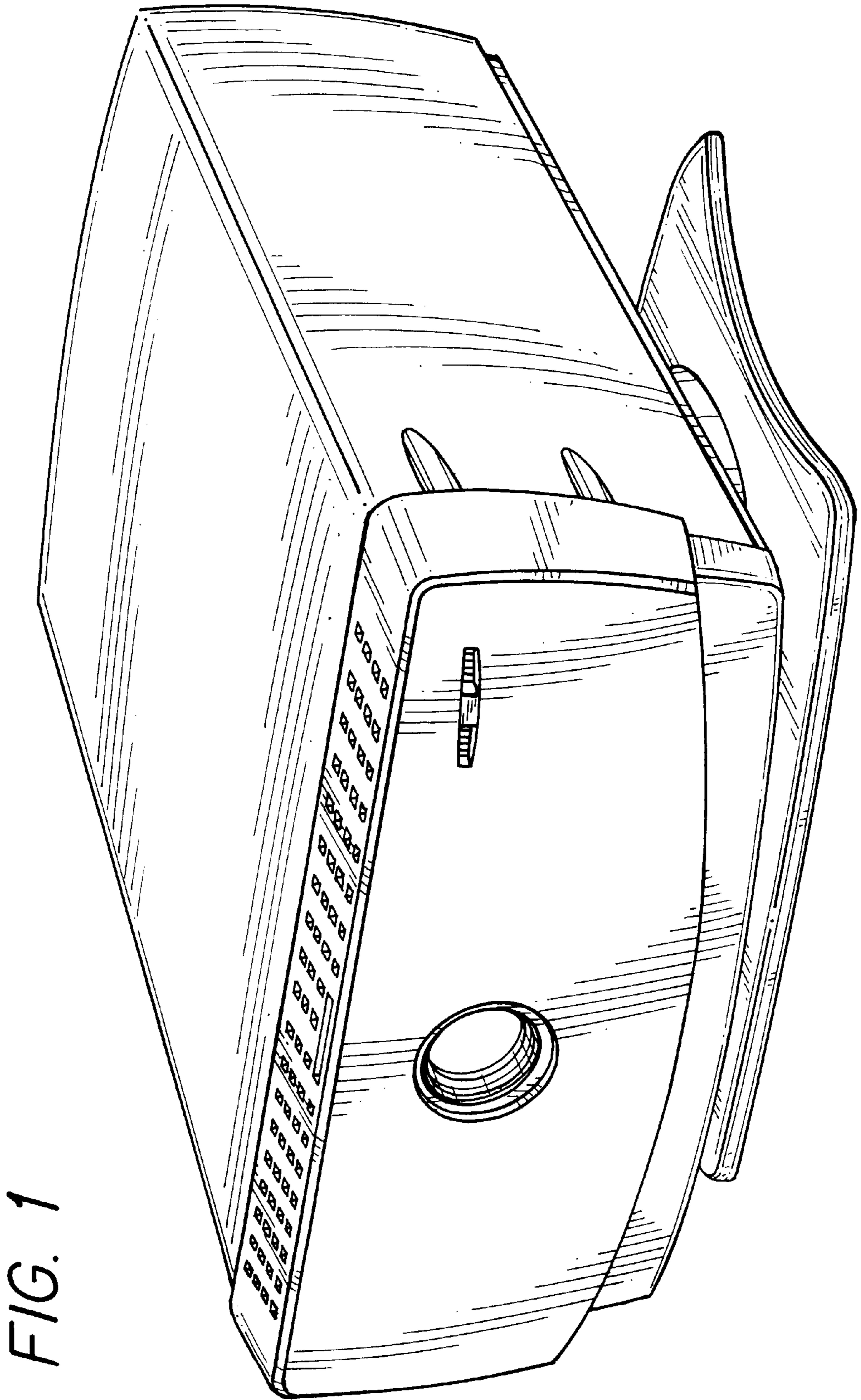


FIG. 1

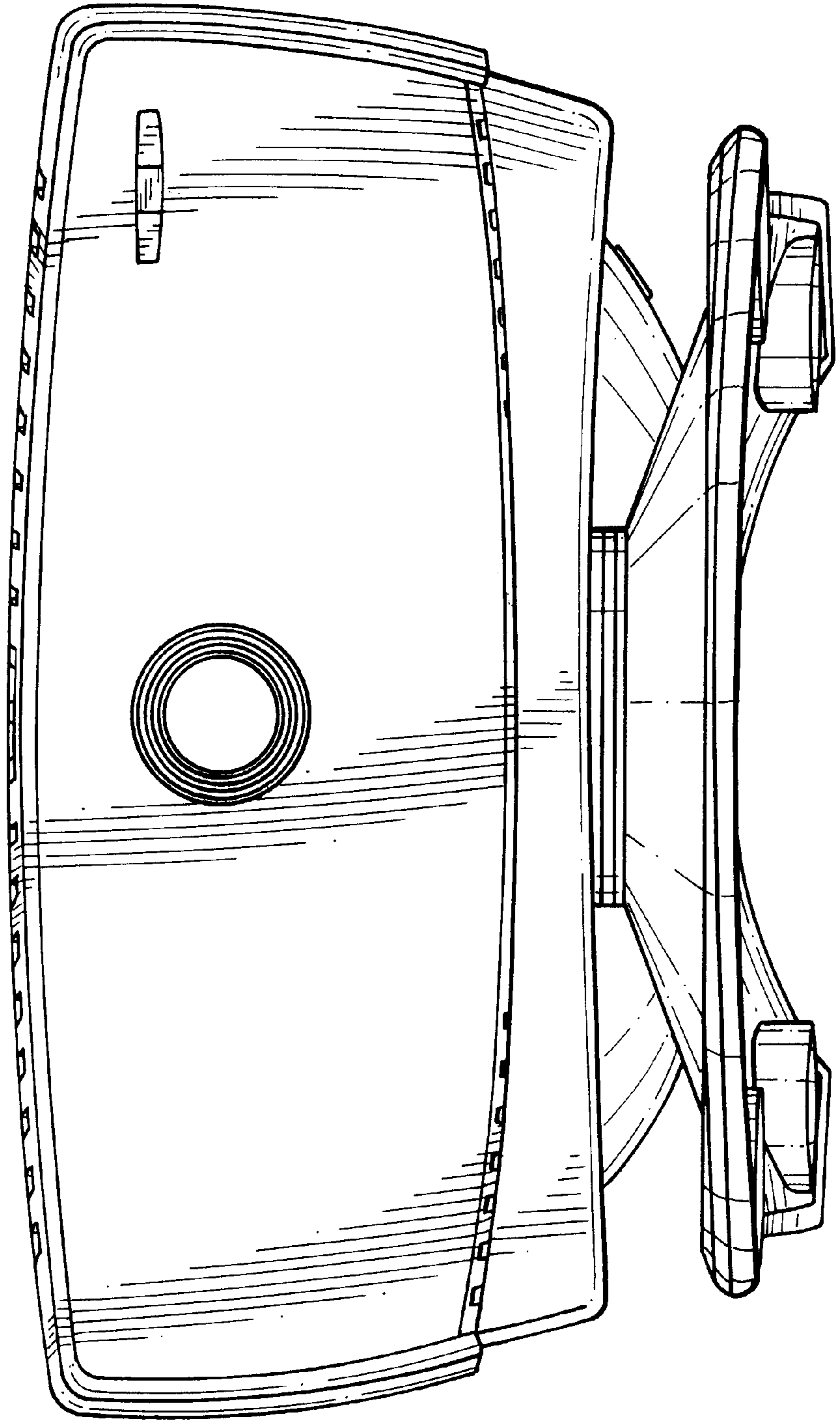


FIG. 2

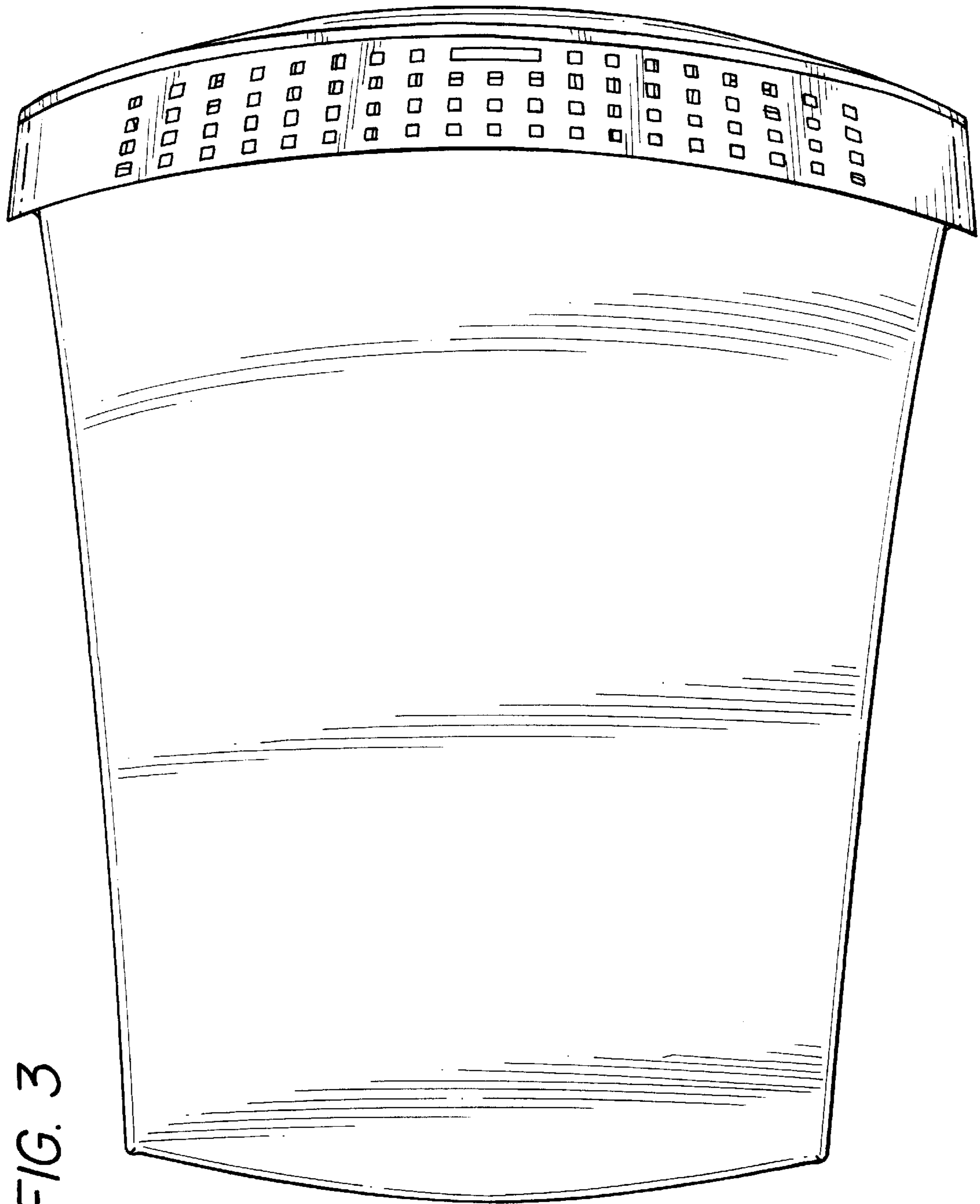


FIG. 3

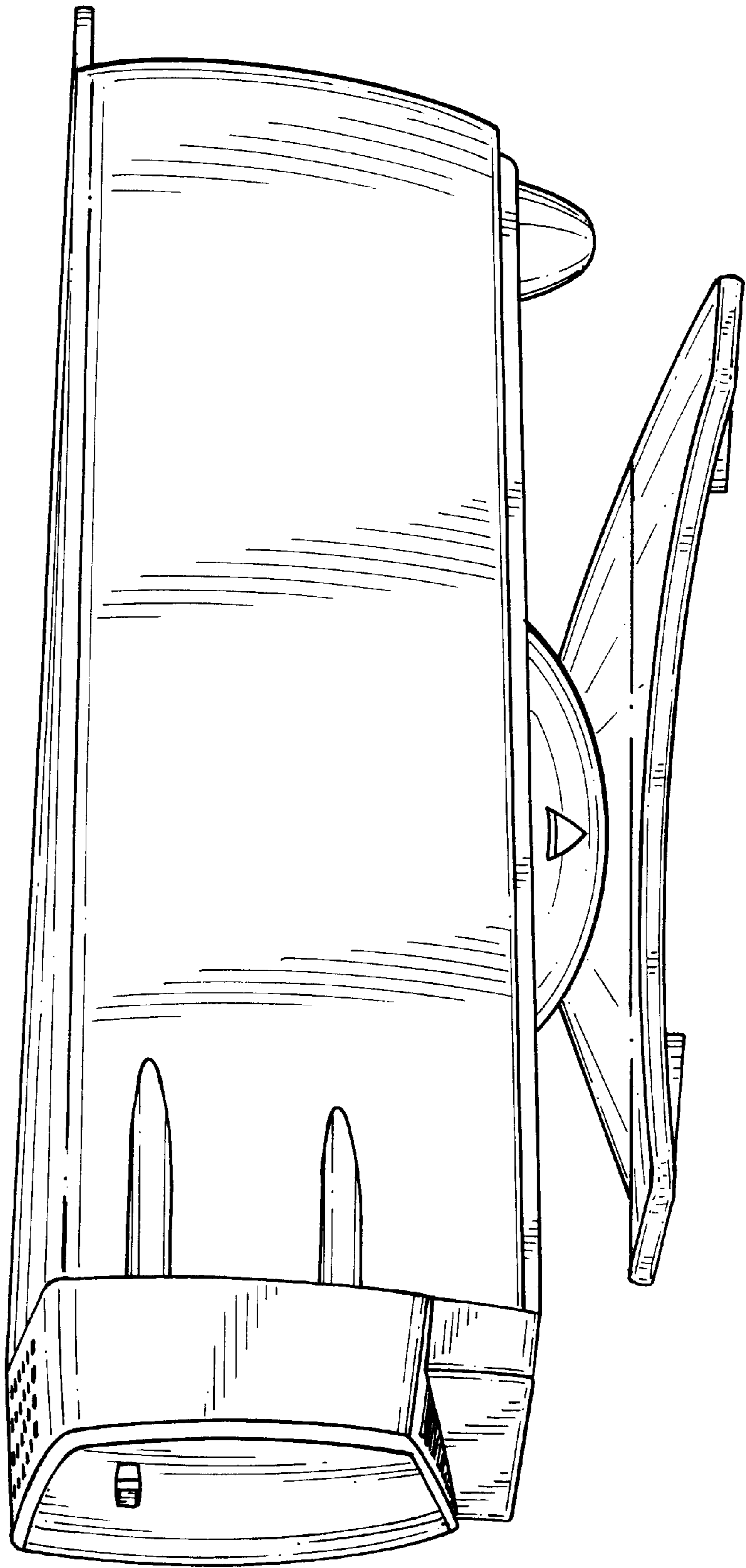


FIG. 4