



US00D433043S

United States Patent [19]

[11] Patent Number: Des. 433,043

Uematsu et al.

[45] Date of Patent: ** Oct. 31, 2000

[54] PARALLEL LINK ROBOT

D. 410,660 6/1999 Kawaguchi D15/199

[75] Inventors: Masaaki Uematsu, Koufu; Kuniyasu Matsumoto; Kenichiro Abe, both of Yamanashi, all of Japan

Primary Examiner—Antoine Duval Davis
Attorney, Agent, or Firm—Staas & Halsey

[73] Assignee: Fanuc Ltd., Yamanashi, Japan

[57] CLAIM

[**] Term: 14 Years

The ornamental design for a parallel link robot, as shown and described.

[21] Appl. No.: 29/110,610

DESCRIPTION

[22] Filed: Sep. 9, 1999

FIG. 1 is a perspective view observed from a left rear side of an parallel link robot showing our new design; FIG. 2 is a perspective view observed from a right rear side; FIG. 3 is a front elevational view; FIG. 4 is a rear elevational view; FIG. 5 is a top plan view; FIG. 6 is a bottom plan view; FIG. 7 is a right side elevational view; and, FIG. 8 is a left side elevational view.

[51] LOC (7) Cl. 15-09

[52] U.S. Cl. D15/199

[58] Field of Search D15/199; 74/479, 74/490.02, 490.03; 318/560; 414/744.2, 744.5, 7

[56] References Cited

U.S. PATENT DOCUMENTS

D. 410,477 6/1999 Nihel et al. D15/199

1 Claim, 4 Drawing Sheets

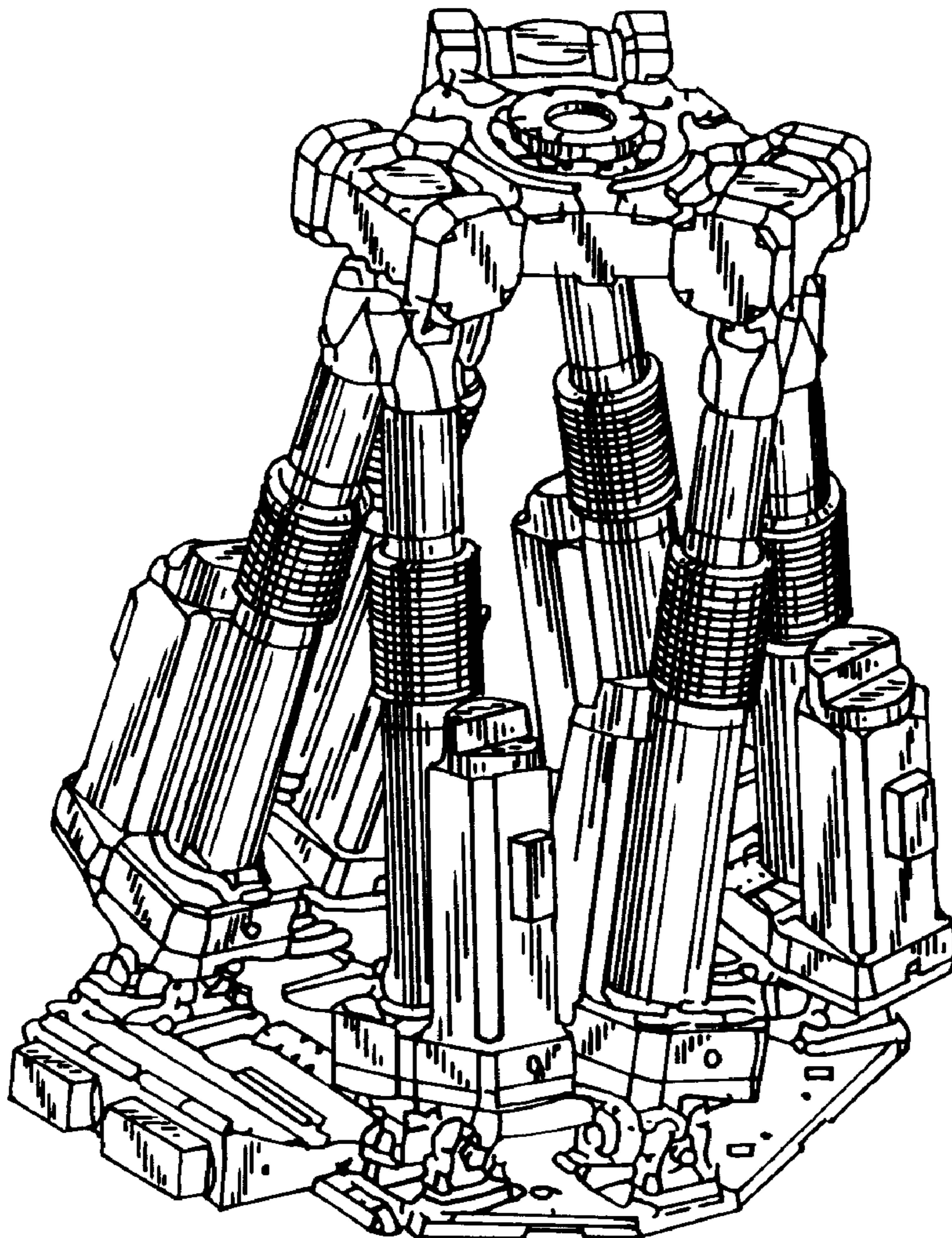


FIG. 1

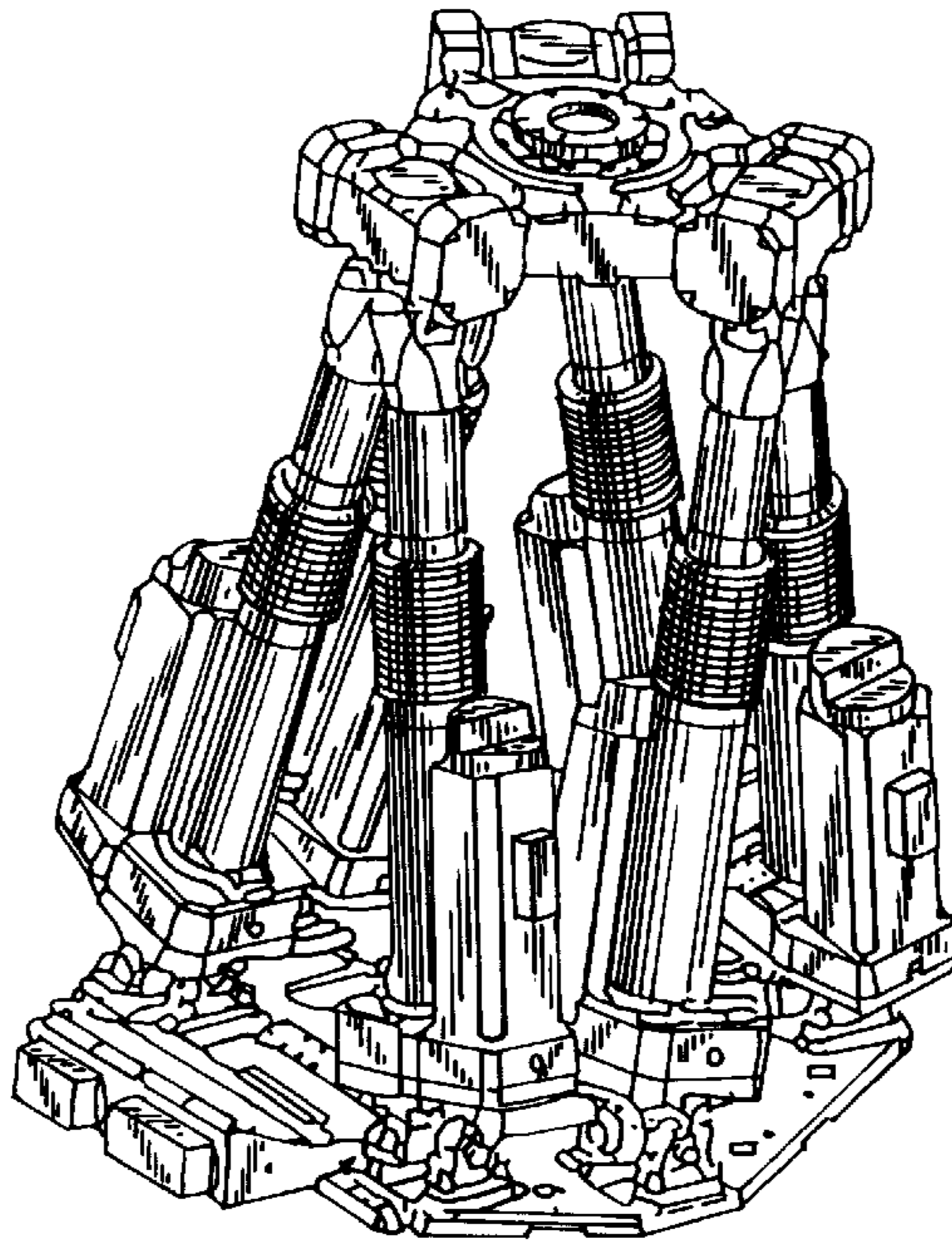


FIG. 2

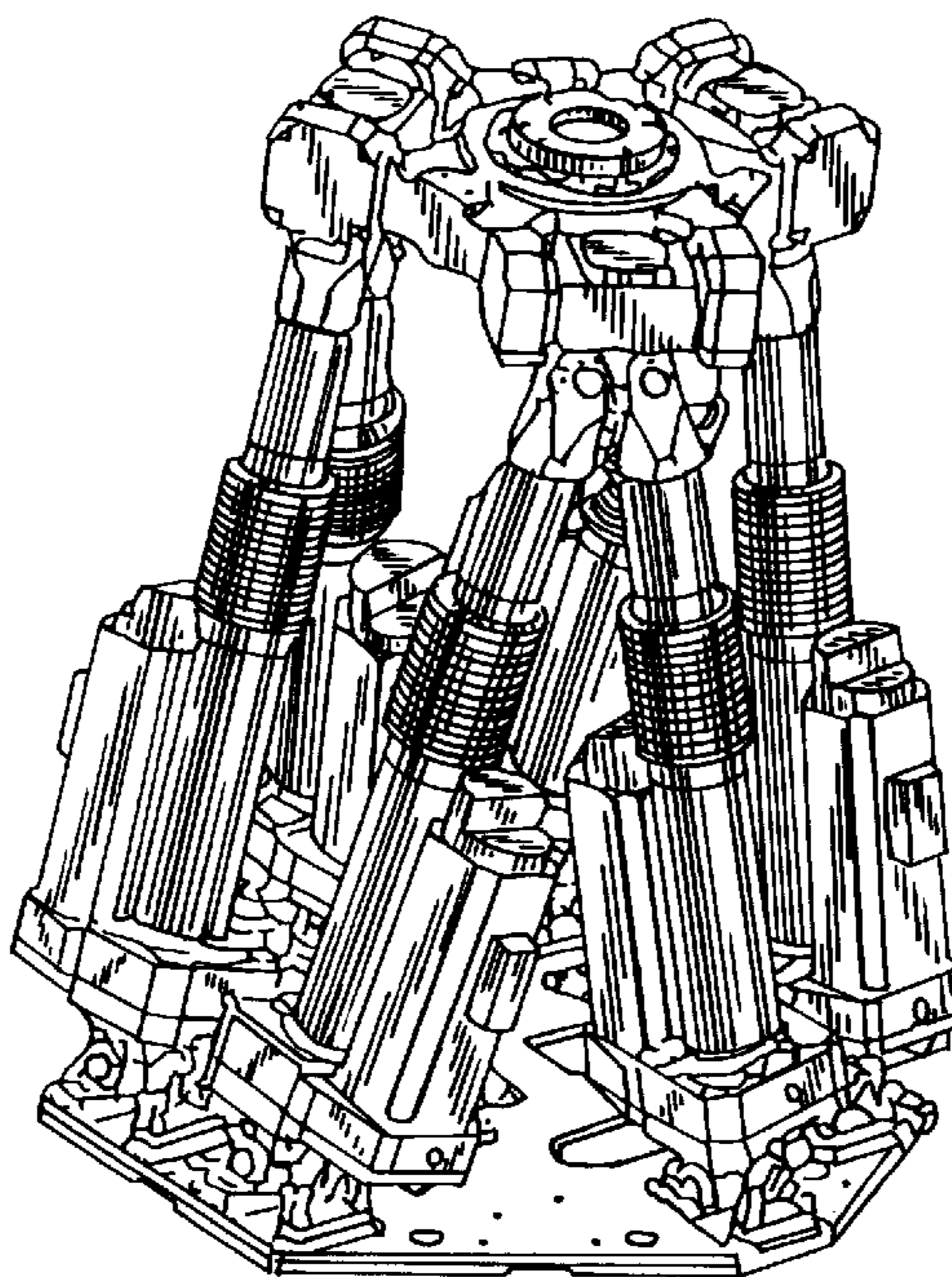


FIG. 3

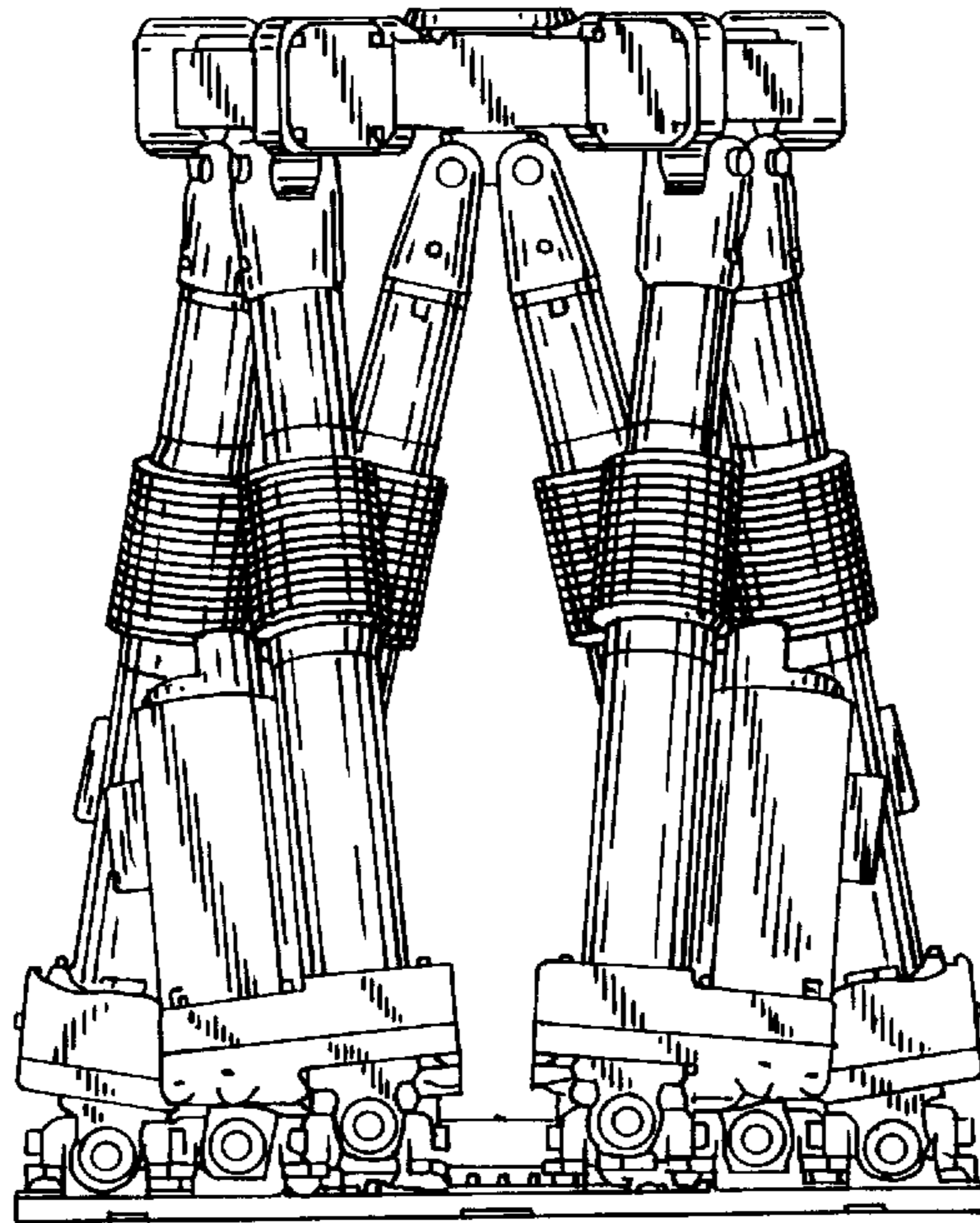


FIG. 4

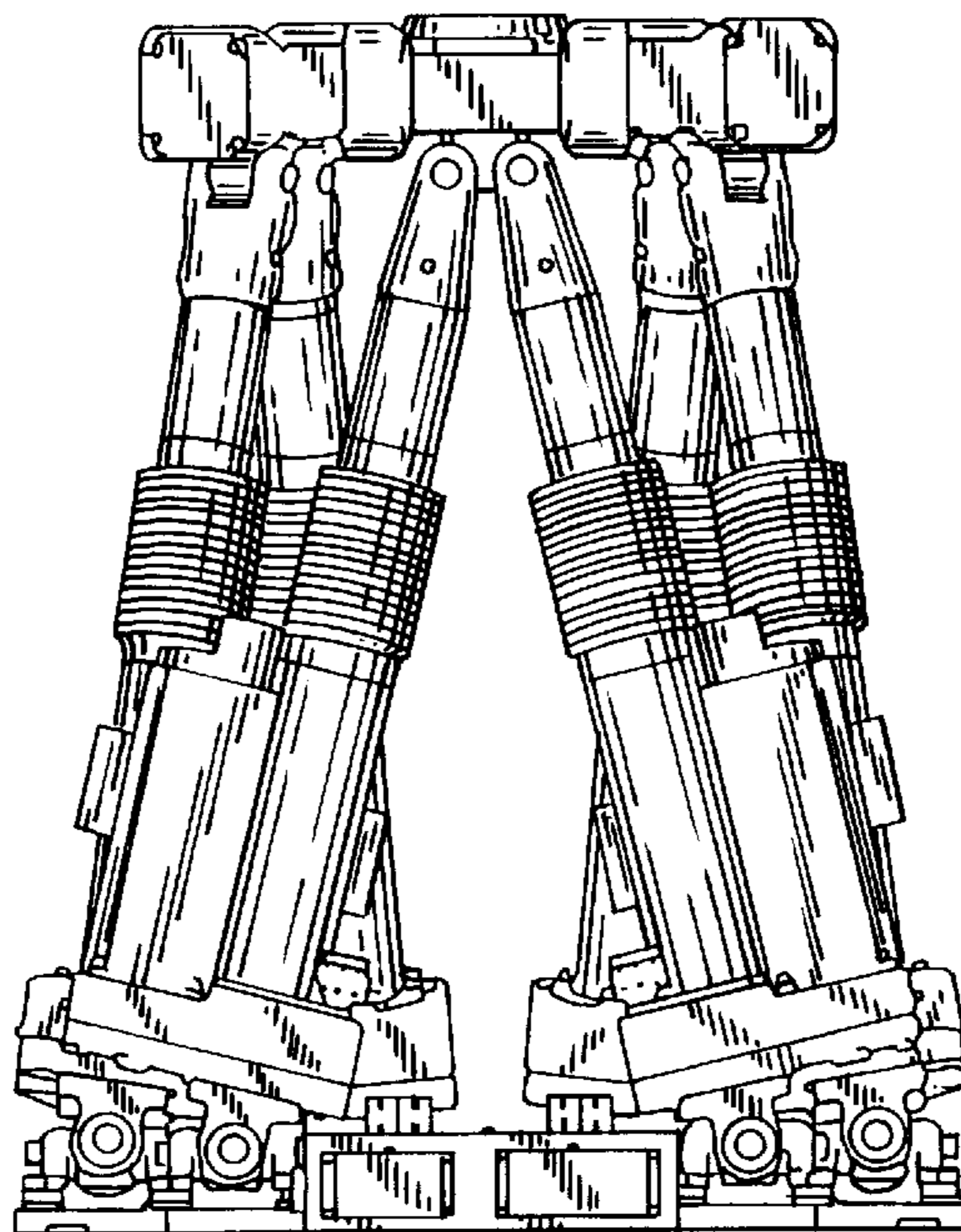


FIG. 5

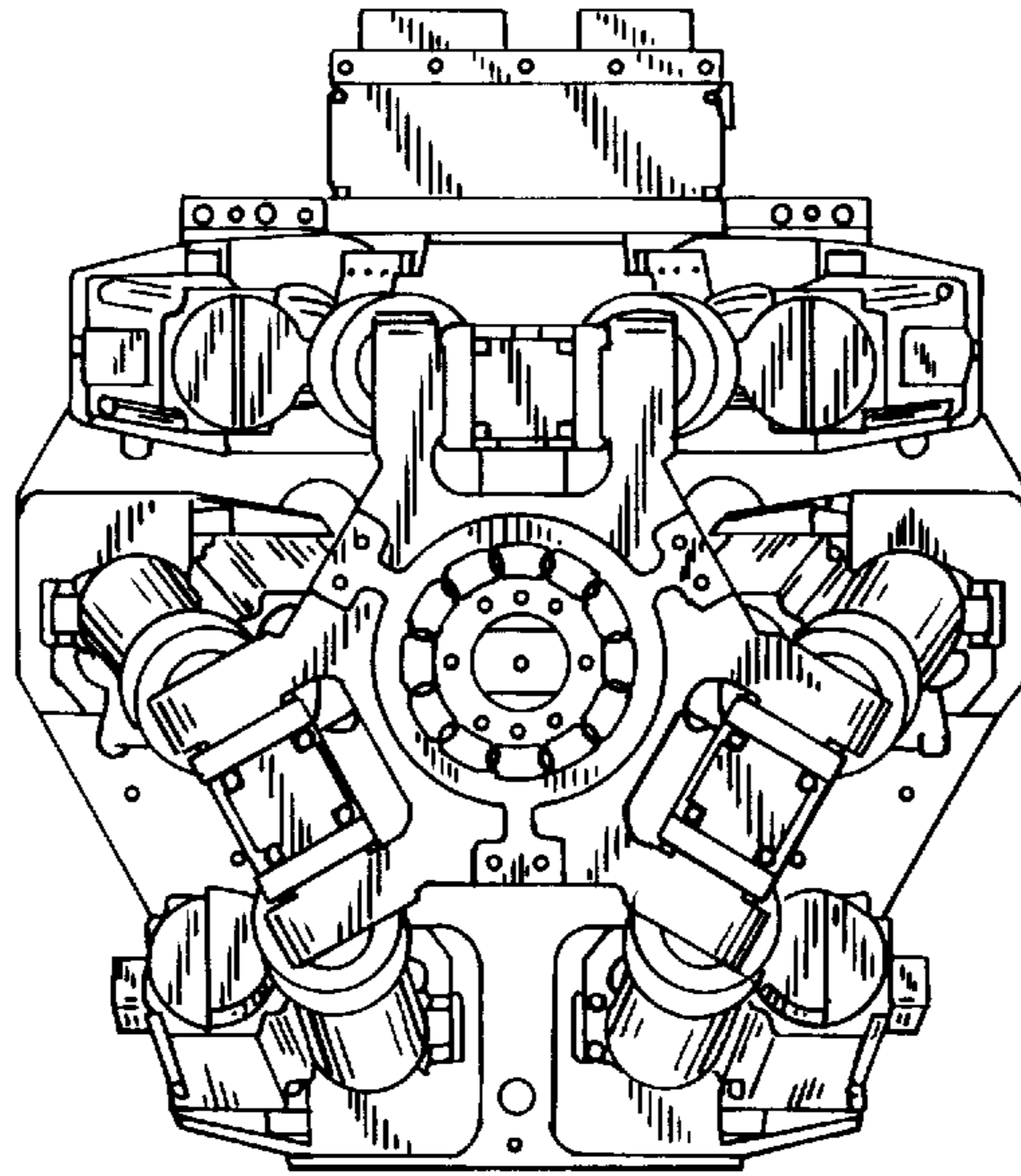


FIG. 6

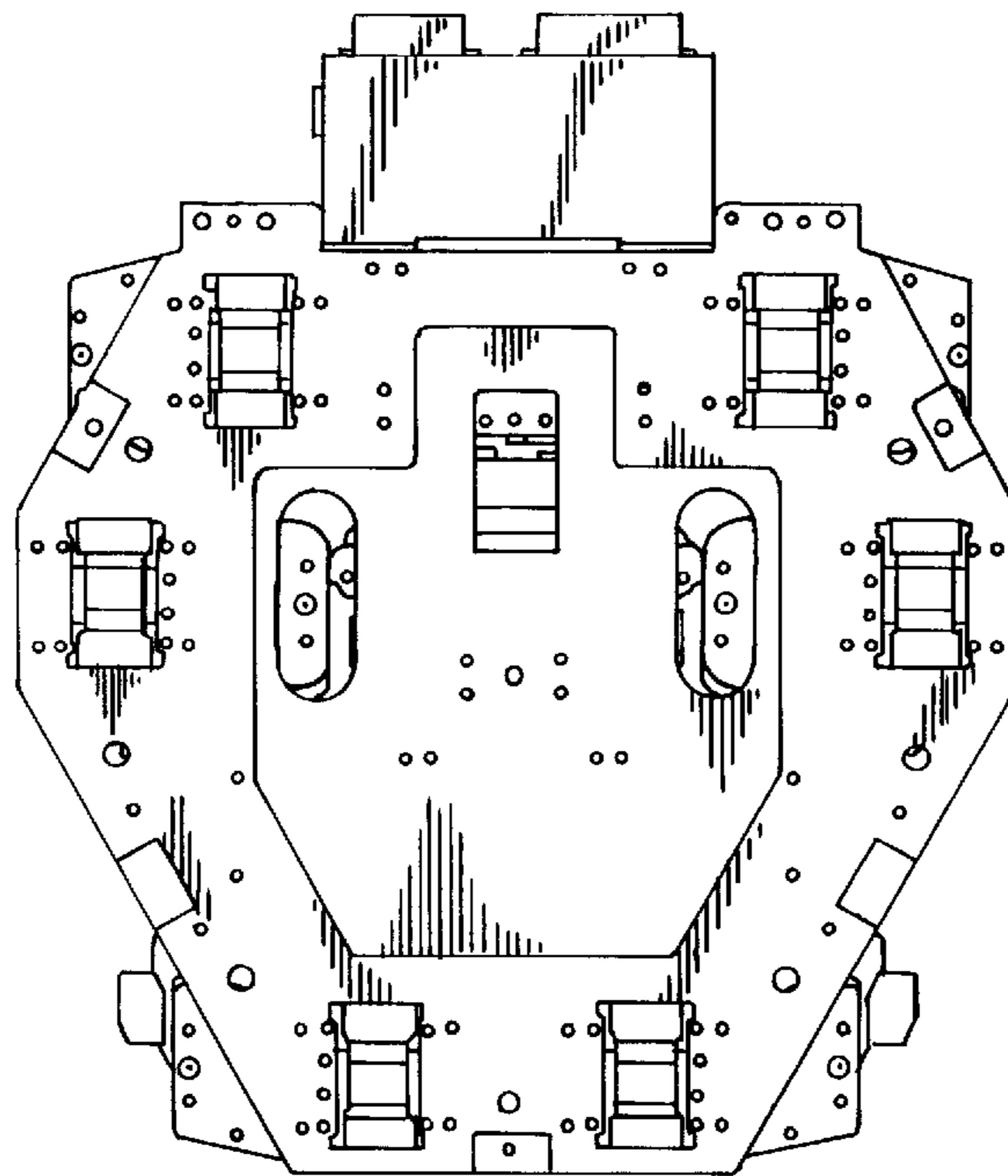


FIG. 7

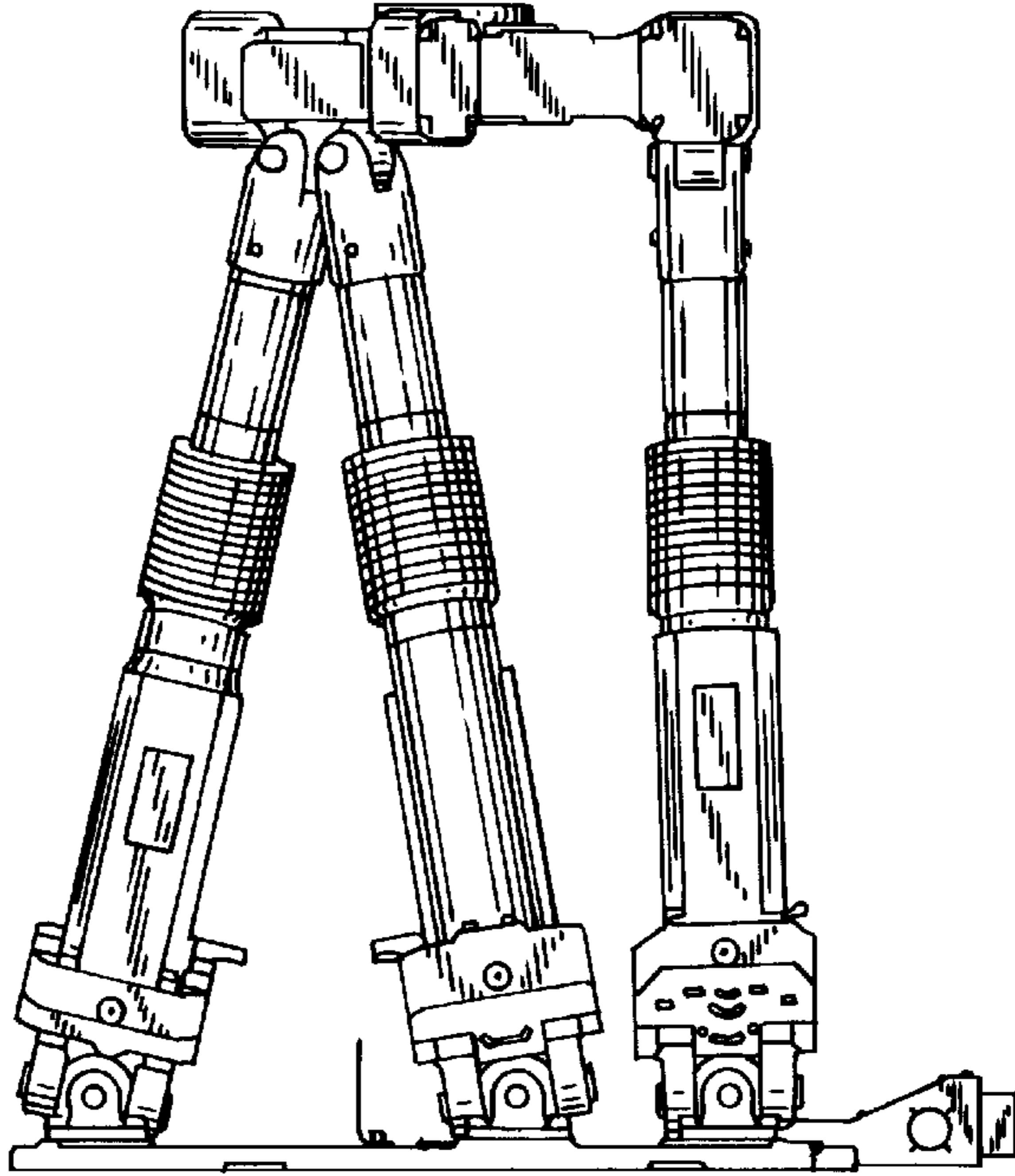
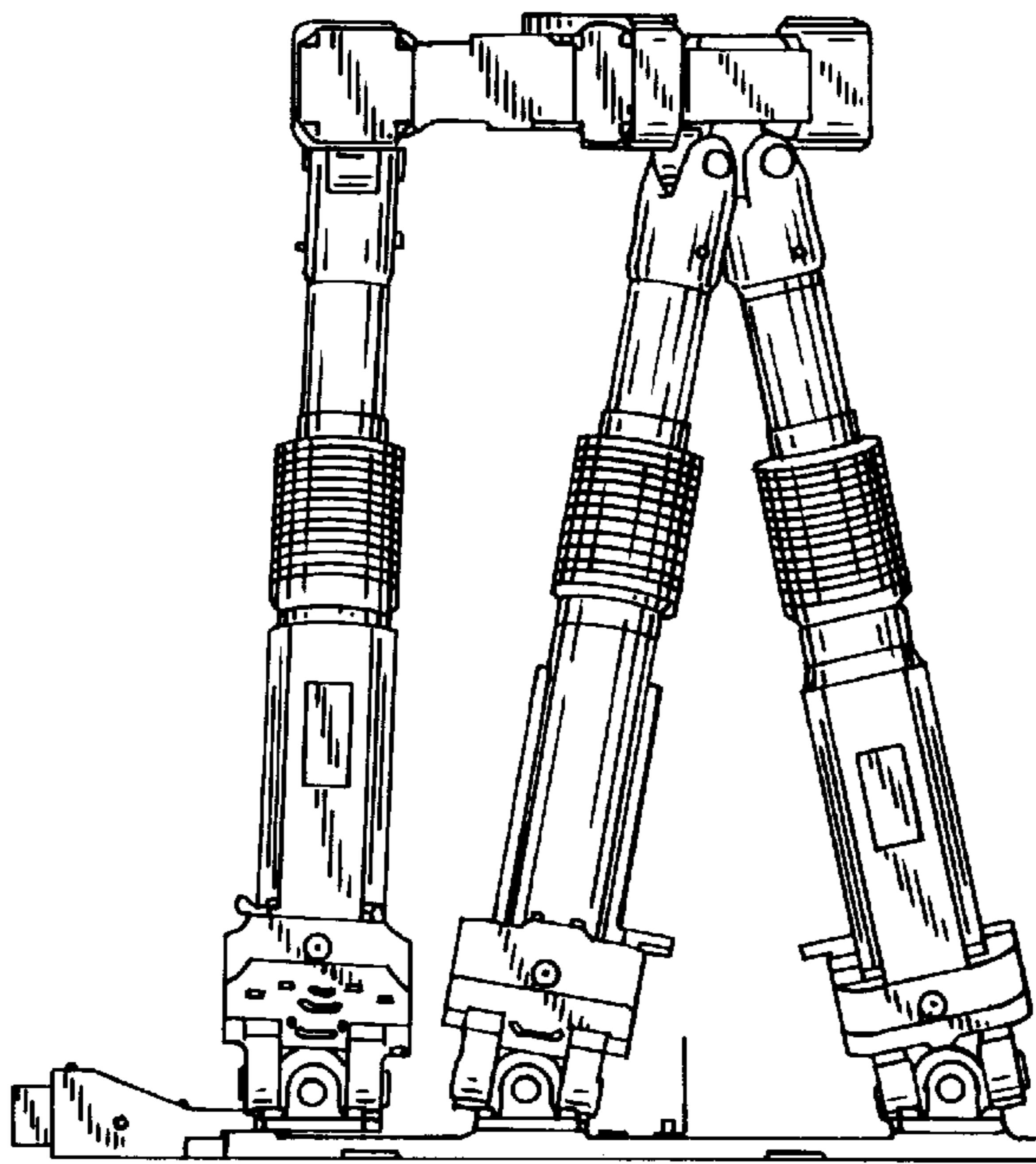


FIG. 8



UNITED STATES PATENT AND TRADEMARK OFFICE
CERTIFICATE OF CORRECTION

PATENT NO. : Des. 433,043
DATED : October 31, 2000
INVENTOR(S) : Masaaki Uematsu, et al.

Page 1 of 1

It is certified that error appears in the above-identified patent and that said Letters Patent is hereby corrected as shown below:

Please insert after [22] the following information:

--[30] **Foreign Application Priority Data**
June 29, 1999 [JP] Japan 11-16920--

Signed and Sealed this

Third Day of July, 2001

Nicholas P. Godici

Attest:

Attesting Officer

NICHOLAS P. GODICI
Acting Director of the United States Patent and Trademark Office