



US00D433039S

United States Patent [19]
Gilmour

[11] **Patent Number: Des. 433,039**

[45] **Date of Patent: ** Oct. 31, 2000**

[54] **CENTERING BELL FOR BOTTLE FILLERS**

D. 357,487 4/1995 Samelius et al. D15/143

[76] Inventor: **Alf J. Gilmour**, 44 Durward Place,
Waterloo, Ontario, Canada, N2L 4E4

Primary Examiner—Antoine Duval Davis
Attorney, Agent, or Firm—Riches, Mckenzie & Herbert

[**] Term: **14 Years**

[21] Appl. No.: **29/117,598**

[22] Filed: **Jan. 28, 2000**

[57] **CLAIM**

The ornamental design for a centering bell for bottle fillers,
as shown.

[30] **Foreign Application Priority Data**

DESCRIPTION

Nov. 23, 1999 [CA] Canada 1999-2830

[51] **LOC (7) Cl.** **15-09**

[52] **U.S. Cl.** **D15/143**

[58] **Field of Search** D15/143; 141/165,
141/392; 285/16

FIG. 1 - is a perspective view of a centering bell for bottle
fillers showing my new design;

FIG. 2 - is a side elevational view thereof;

FIG. 3 - is a top view thereof; and,

FIG. 4 - is a bottom view thereof.

[56] **References Cited**

U.S. PATENT DOCUMENTS

D. 285,798 9/1986 Brunnegard et al. D15/143

1 Claim, 1 Drawing Sheet

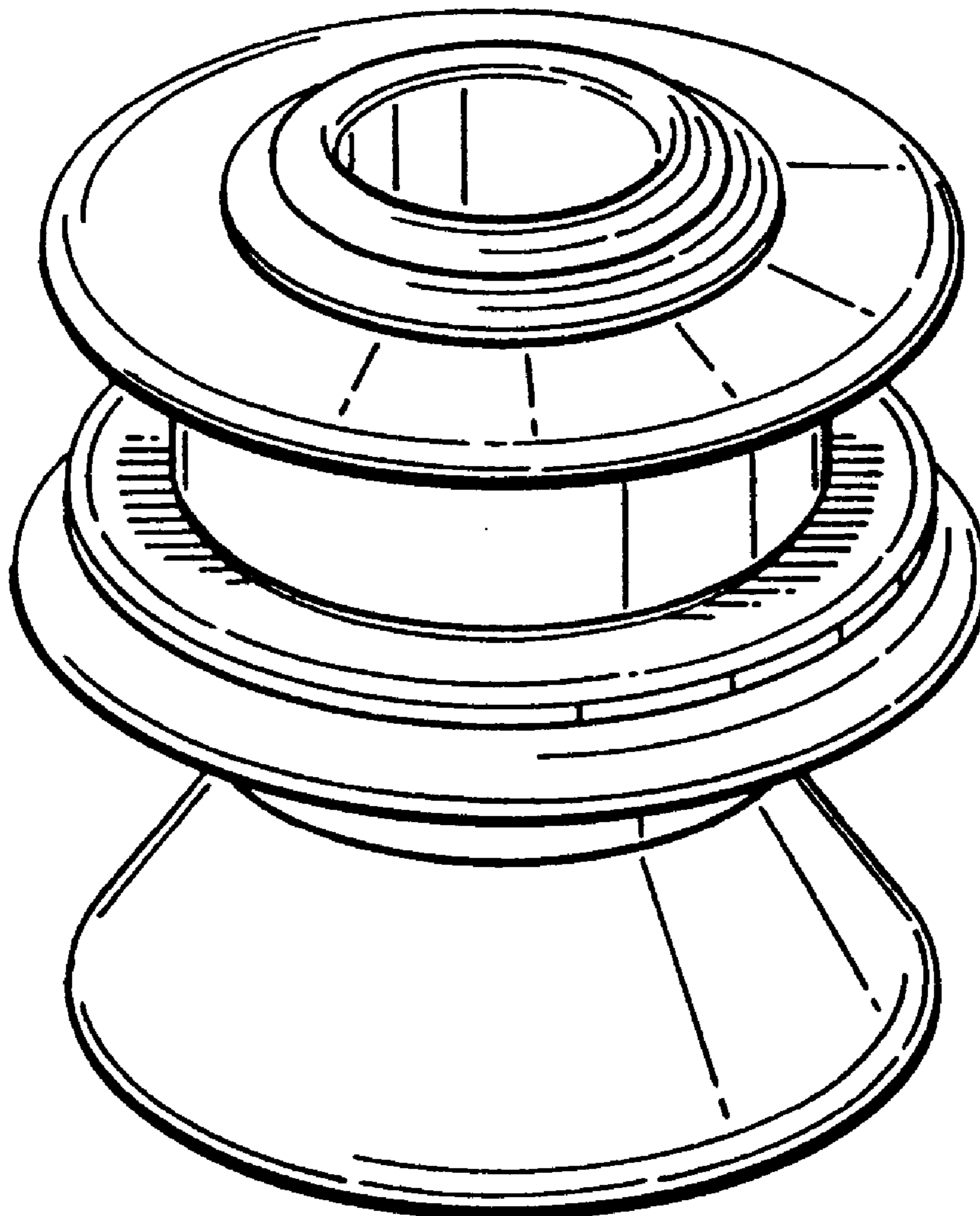


FIG.1.

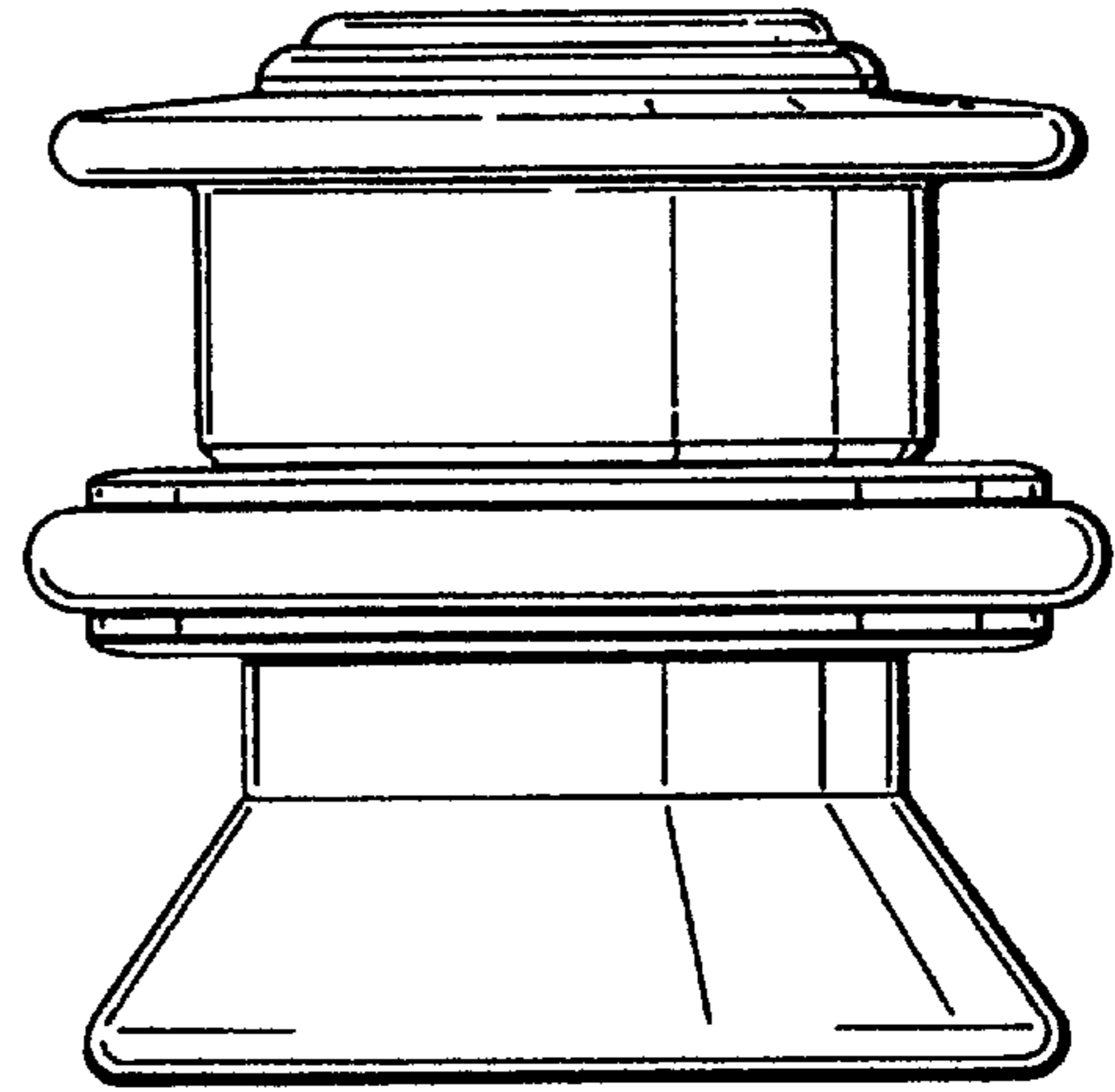
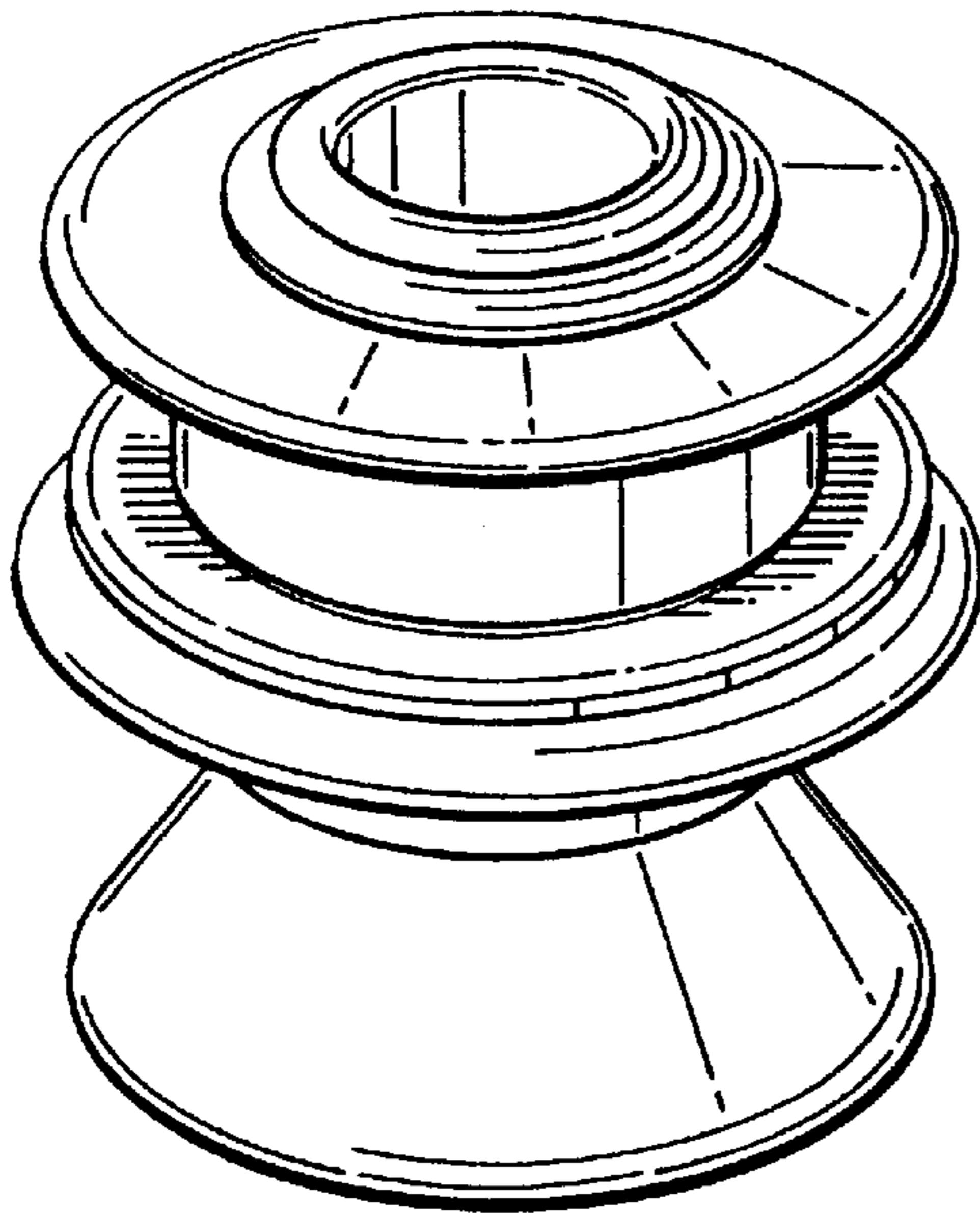


FIG.2.

FIG.3.

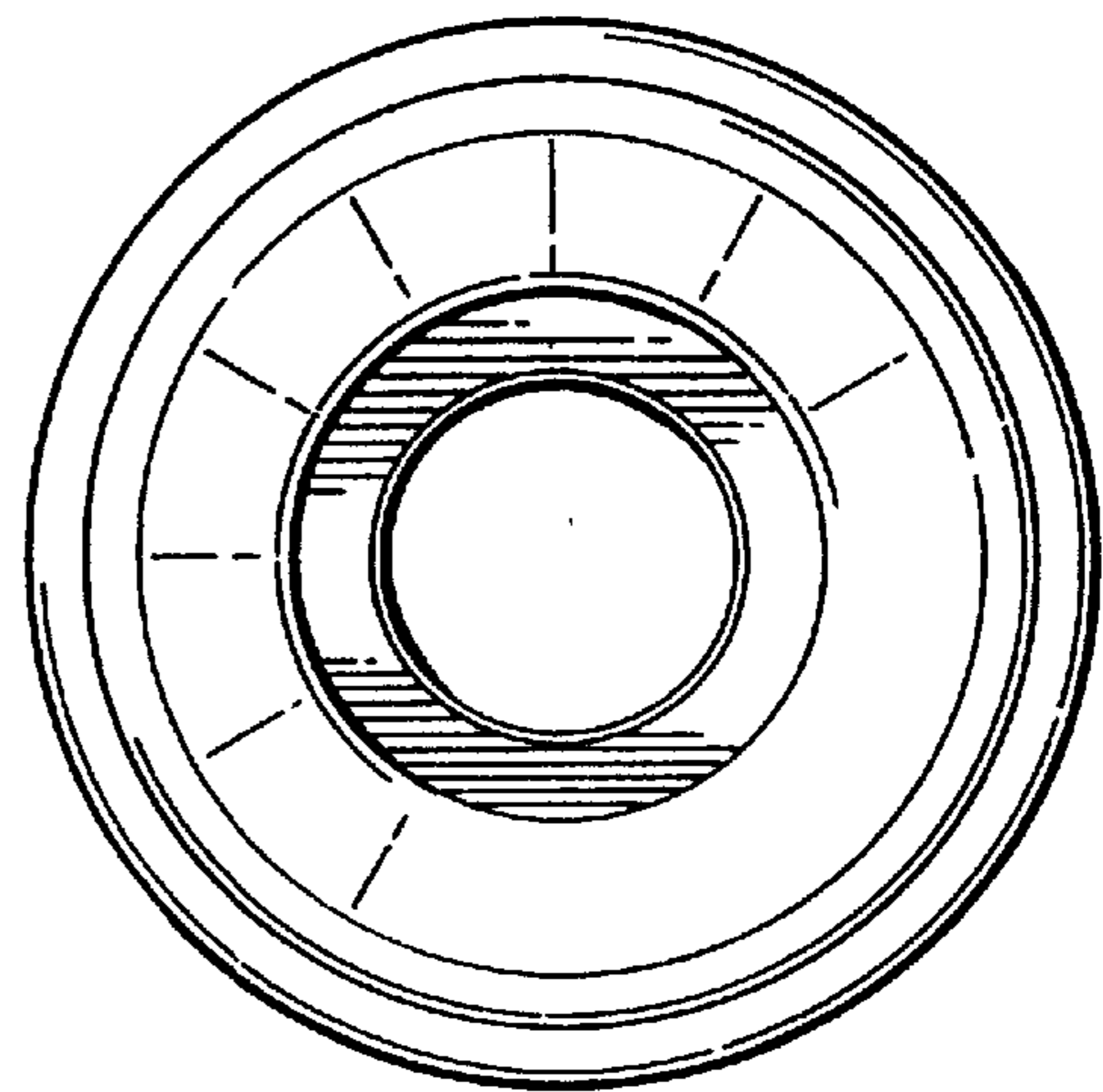
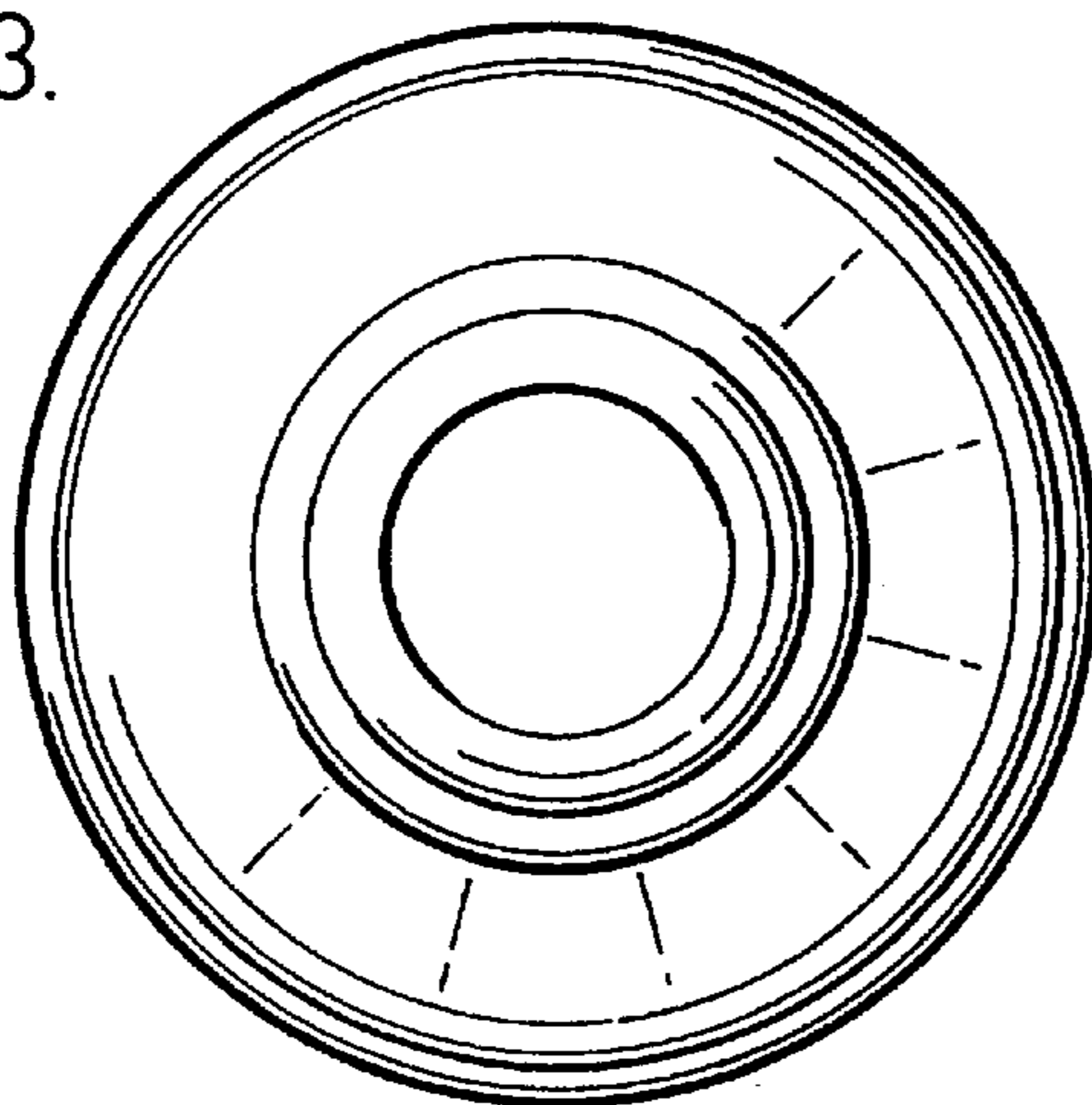


FIG.4.