



US00D433038S

United States Patent [19] Yang

[11] Patent Number: Des. 433,038

[45] Date of Patent: ** Oct. 31, 2000

[54] CUTTING DEVICE

5,597,274 1/1997 Behner 408/104

[76] Inventor: Hsi-Chang Yang, P.O. Box 90, Tainan City, Taiwan

Primary Examiner—Antoine Duval Davis

[**] Term: 14 Years

[57] CLAIM

The ornamental design for cutting device, as shown and described.

[21] Appl. No.: 29/114,548

[22] Filed: Nov. 29, 1999

DESCRIPTION

[51] LOC (7) Cl. 15-09

FIG. 1 is a perspective view of cutting device showing my design;

[52] U.S. Cl. D15/139

FIG. 2 is a front elevational view thereof;

[58] Field of Search D15/138, 139;

FIG. 3 is a rear elevational view thereof;

408/204-209, 703

FIG. 4 is a left side elevational view thereof;

FIG. 5 is a right side elevational view thereof;

FIG. 6 is a top plan view thereof; and,

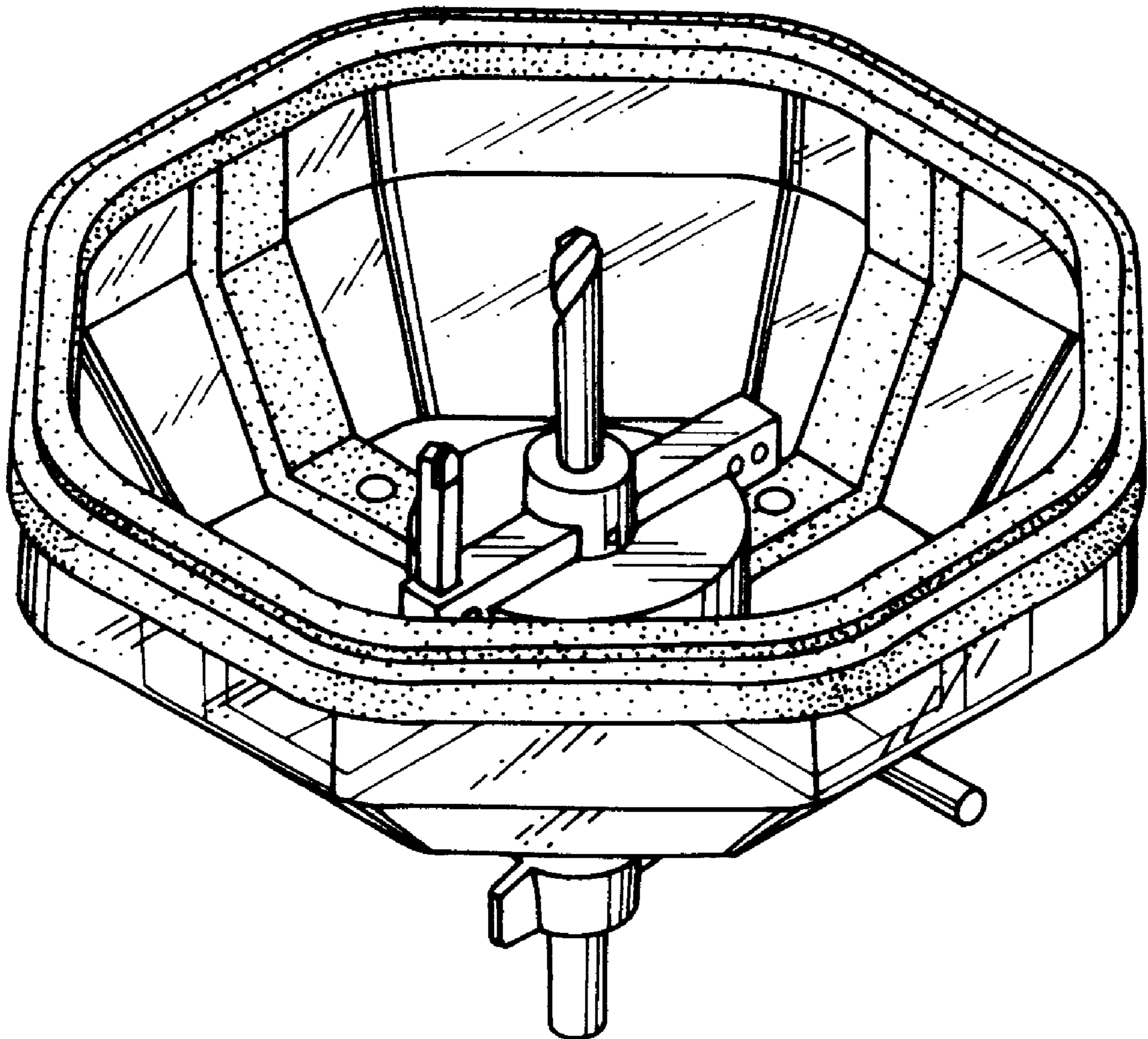
FIG. 7 is a bottom plan view thereof.

[56] References Cited

U.S. PATENT DOCUMENTS

D. 279,477 7/1985 Mittleman D15/139

1 Claim, 4 Drawing Sheets



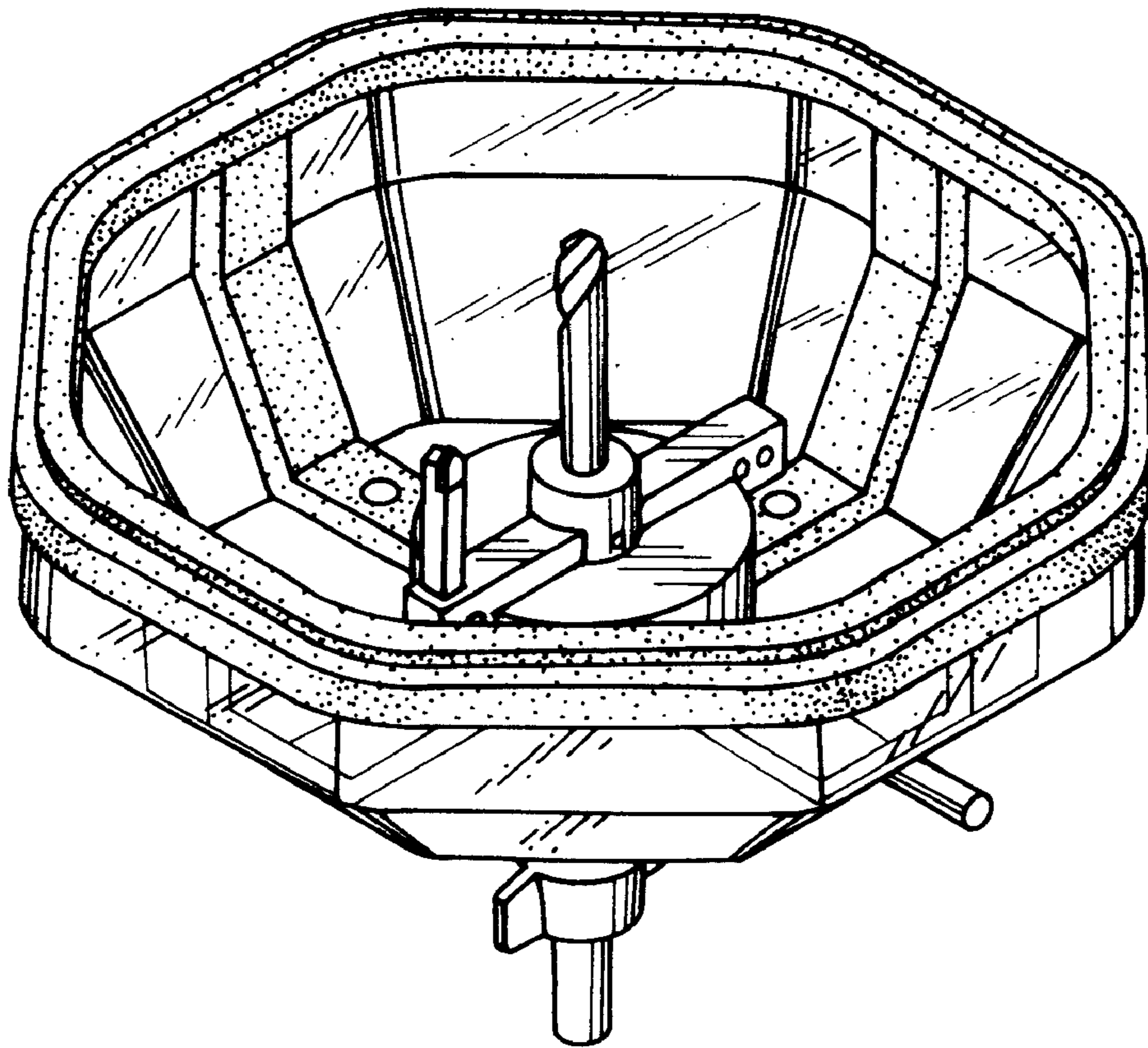


FIG. 1

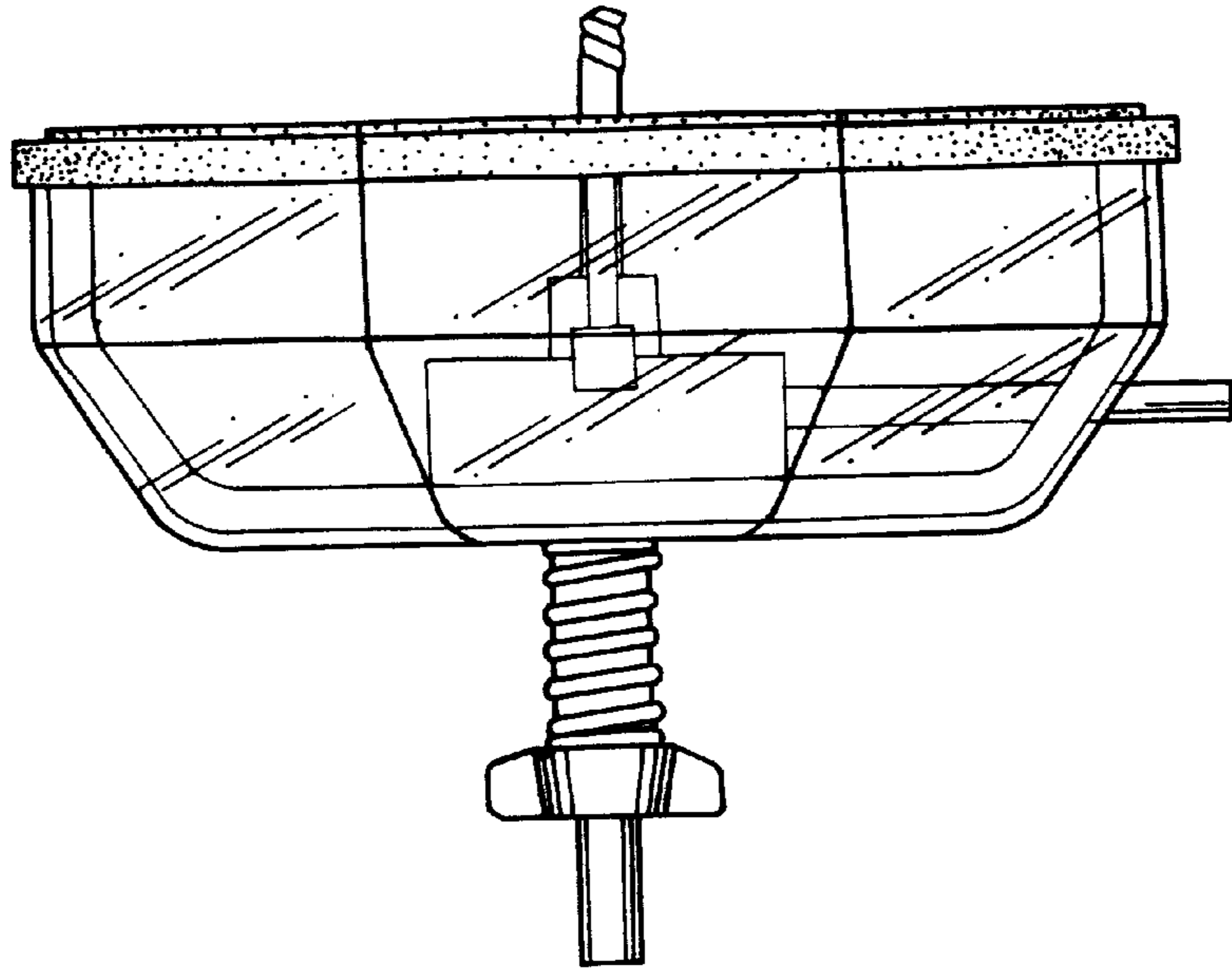


FIG. 2

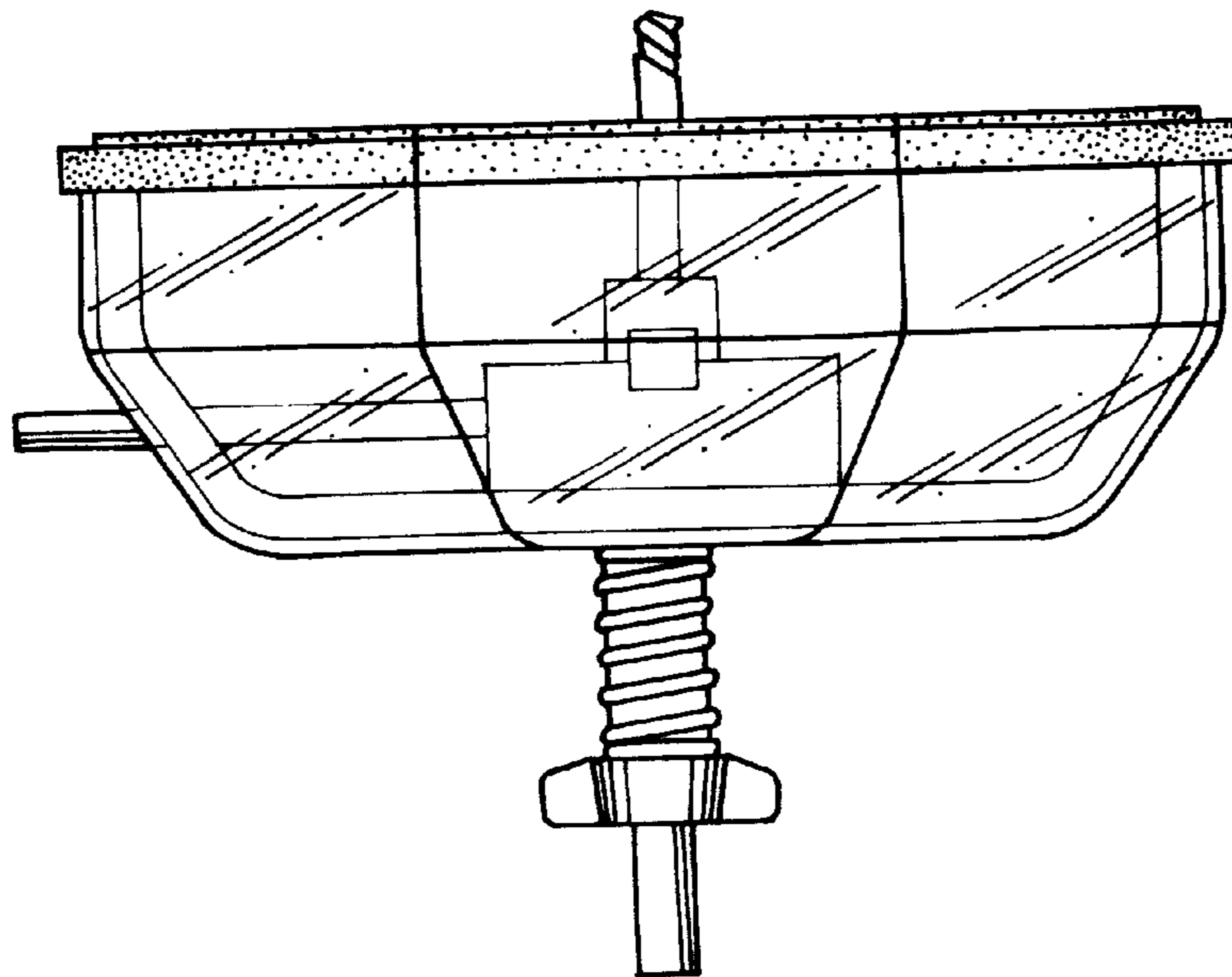


FIG. 3

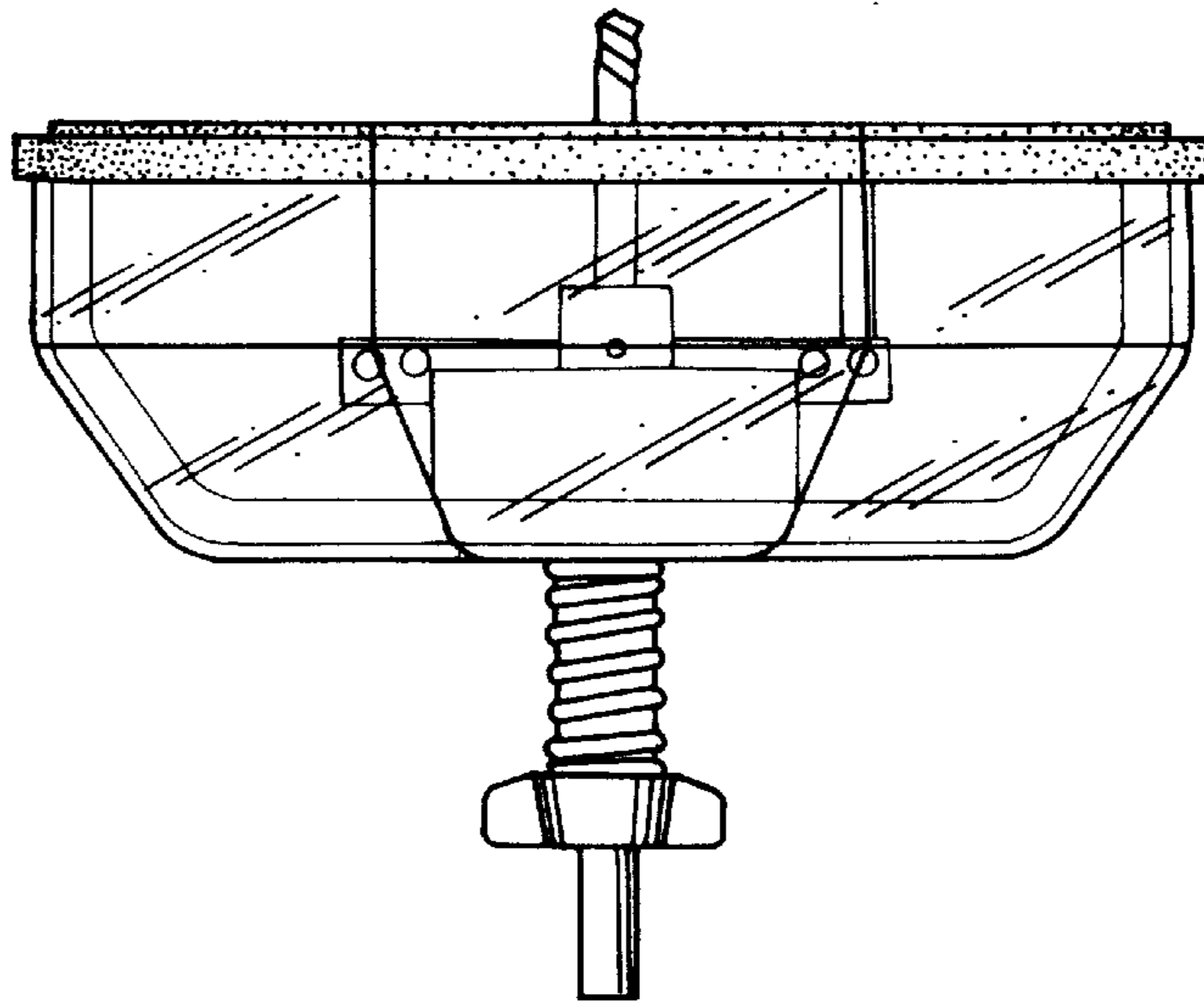


FIG. 4

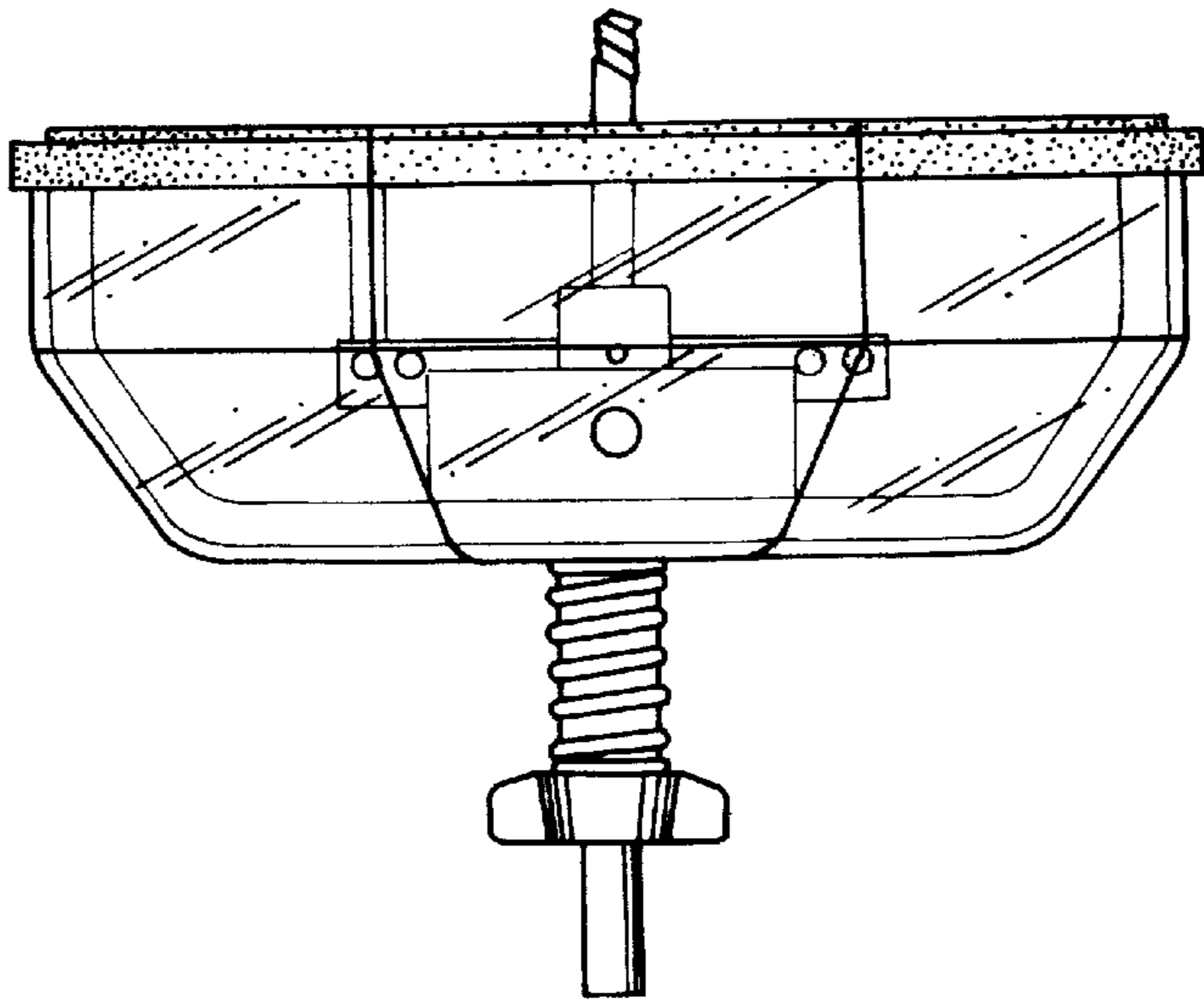


FIG. 5

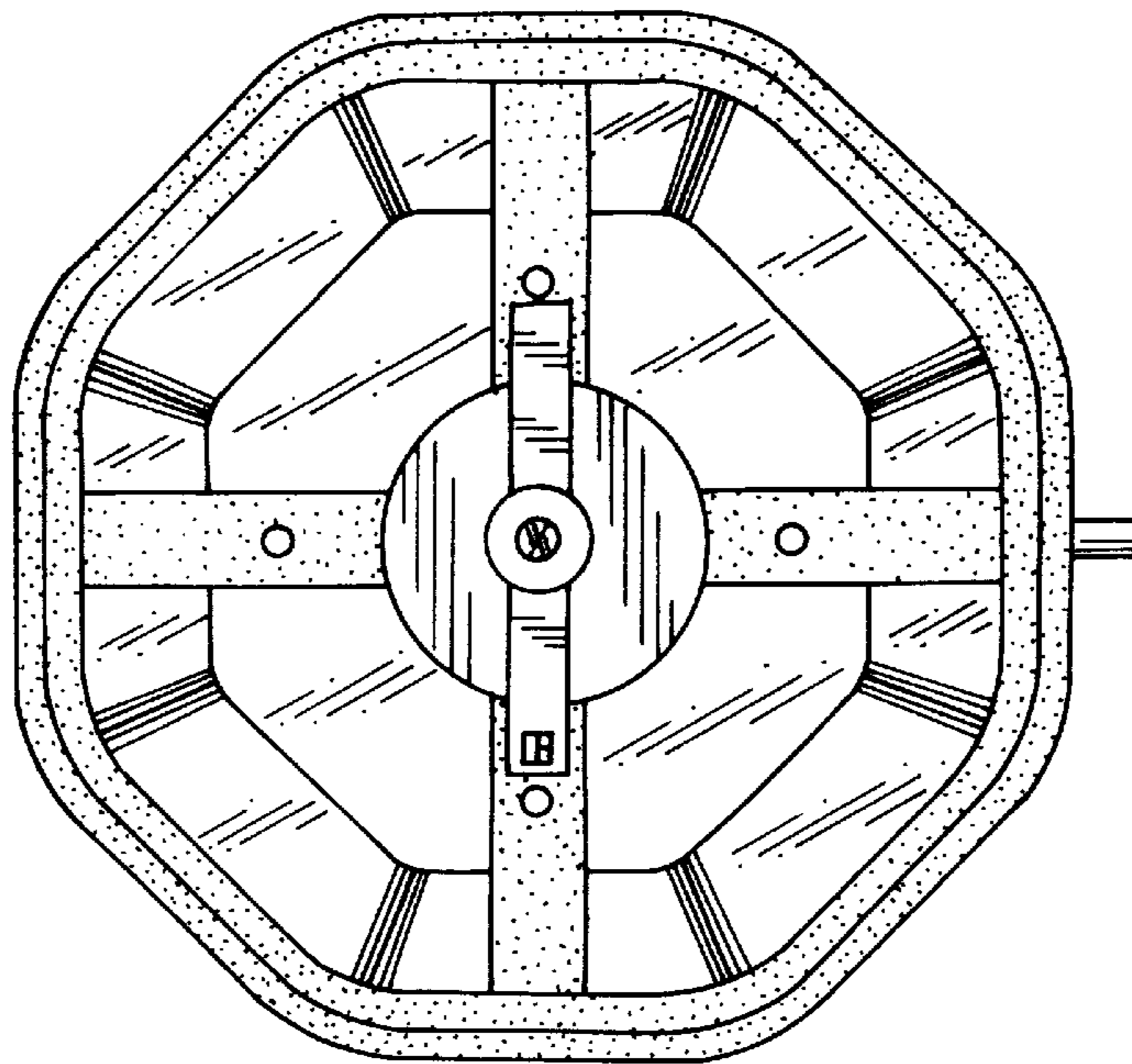


FIG. 6

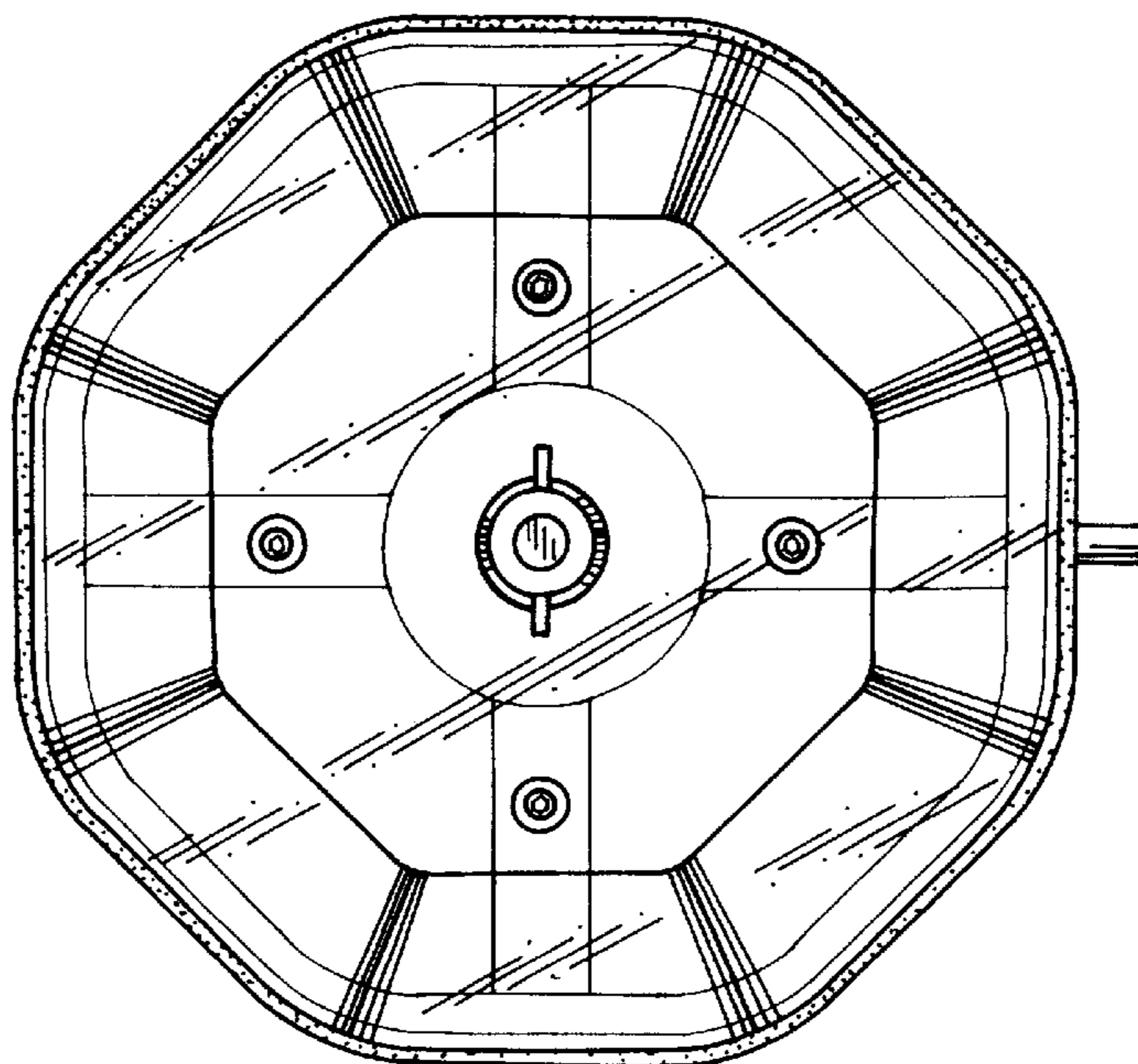


FIG. 7