



US00D433030S

United States Patent [19]

Taylor et al.

[11] Patent Number: Des. 433,030

[45] Date of Patent: ** Oct. 31, 2000

[54] SET OF SERVICE STATION ISLANDS

[75] Inventors: **Ken W. Taylor**, Oak Ridge, N.C.; **Scott R. Negley, III**, Salisbury, Md.; **Dave Eric Embertson**, Austin, Tex.; **Gregg Robert Draudt**, Stow, Mass.

[73] Assignee: **Dresser Equipment Group, Inc.**, Carrollton, Tex.

[**] Term: **14 Years**

[21] Appl. No.: **29/114,791**

[22] Filed: **Dec. 1, 1999**

[51] LOC (7) Cl. **15-02**

[52] U.S. Cl. **D15/9.2**

[58] Field of Search D15/9.1, 9.2; 137/234.6; 222/23, 26, 28, 71, 74, 372; 141/198; 251/129.64, 129.04; D10/96; D99/28; D14/105, 107; 194/206; D25/56

D. 260,897 9/1981 Todd D15/9.2
D. 296,133 6/1988 Baffo D15/9.2
D. 301,169 5/1989 Bass D25/56
D. 302,820 8/1989 Bass D15/9.2
D. 303,803 10/1989 Phillips D15/9.2

Primary Examiner—Ralf Seifert
Attorney, Agent, or Firm—Haynes and Boone, LLP

[57] CLAIM

The ornamental design for a set of service station islands, as shown and described.

DESCRIPTION

FIG. 1 is an isometric view of the set of service station islands showing our new design;

FIG. 2 is a front elevational view thereof; and,

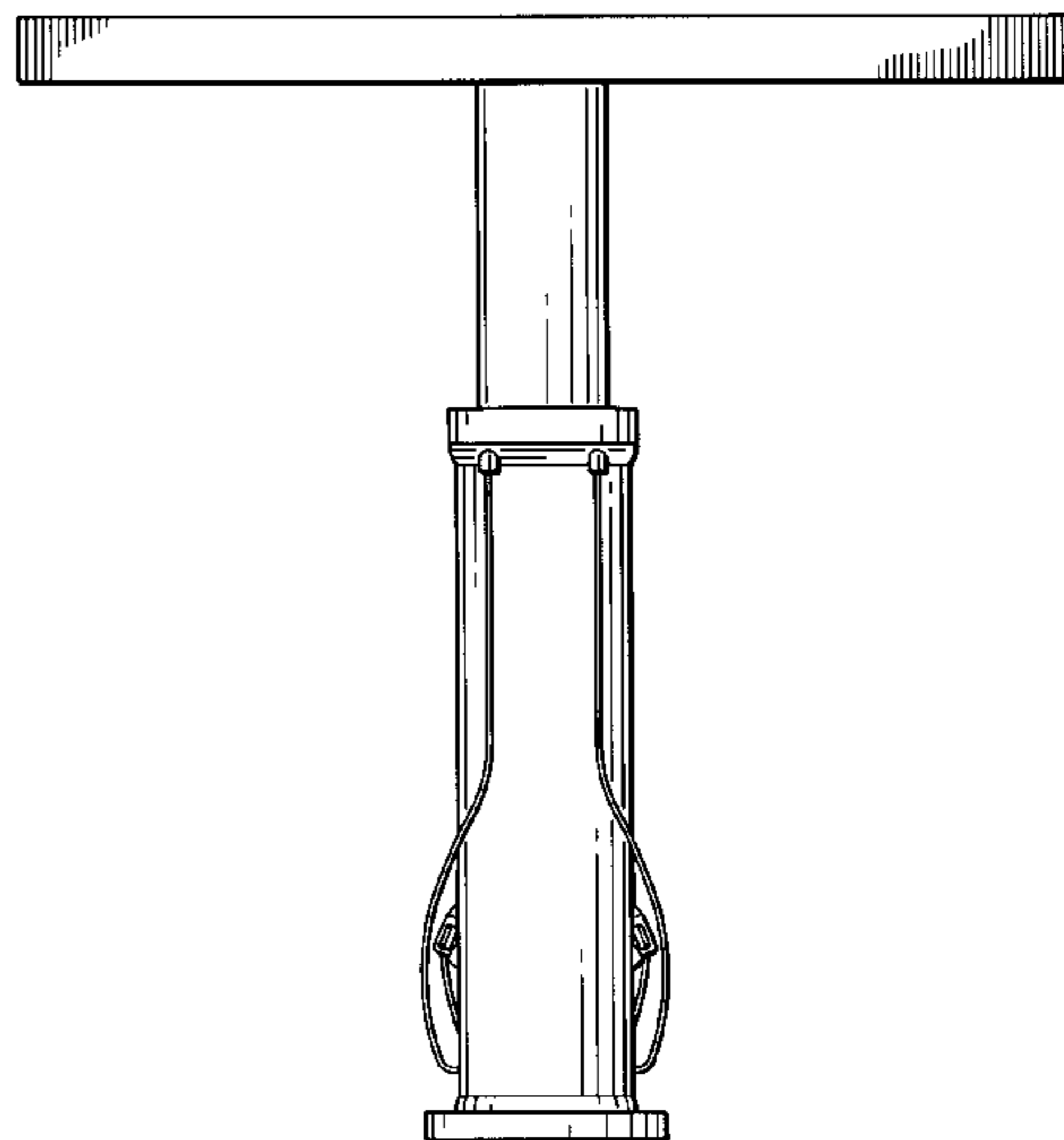
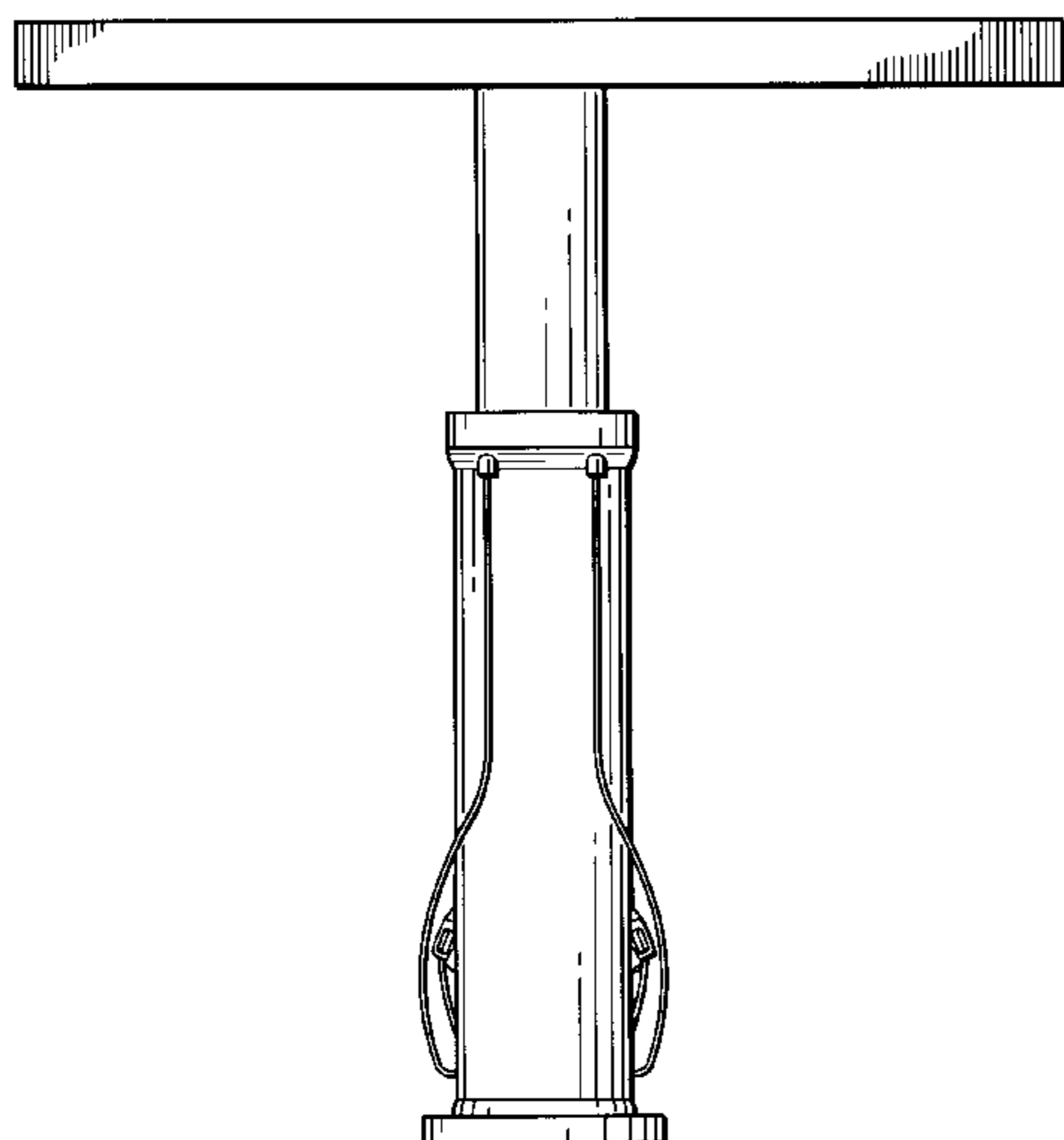
FIG. 3 is a side elevational view thereof.

[56] References Cited

U.S. PATENT DOCUMENTS

D. 258,440 3/1981 Gray D15/9.2

1 Claim, 3 Drawing Sheets



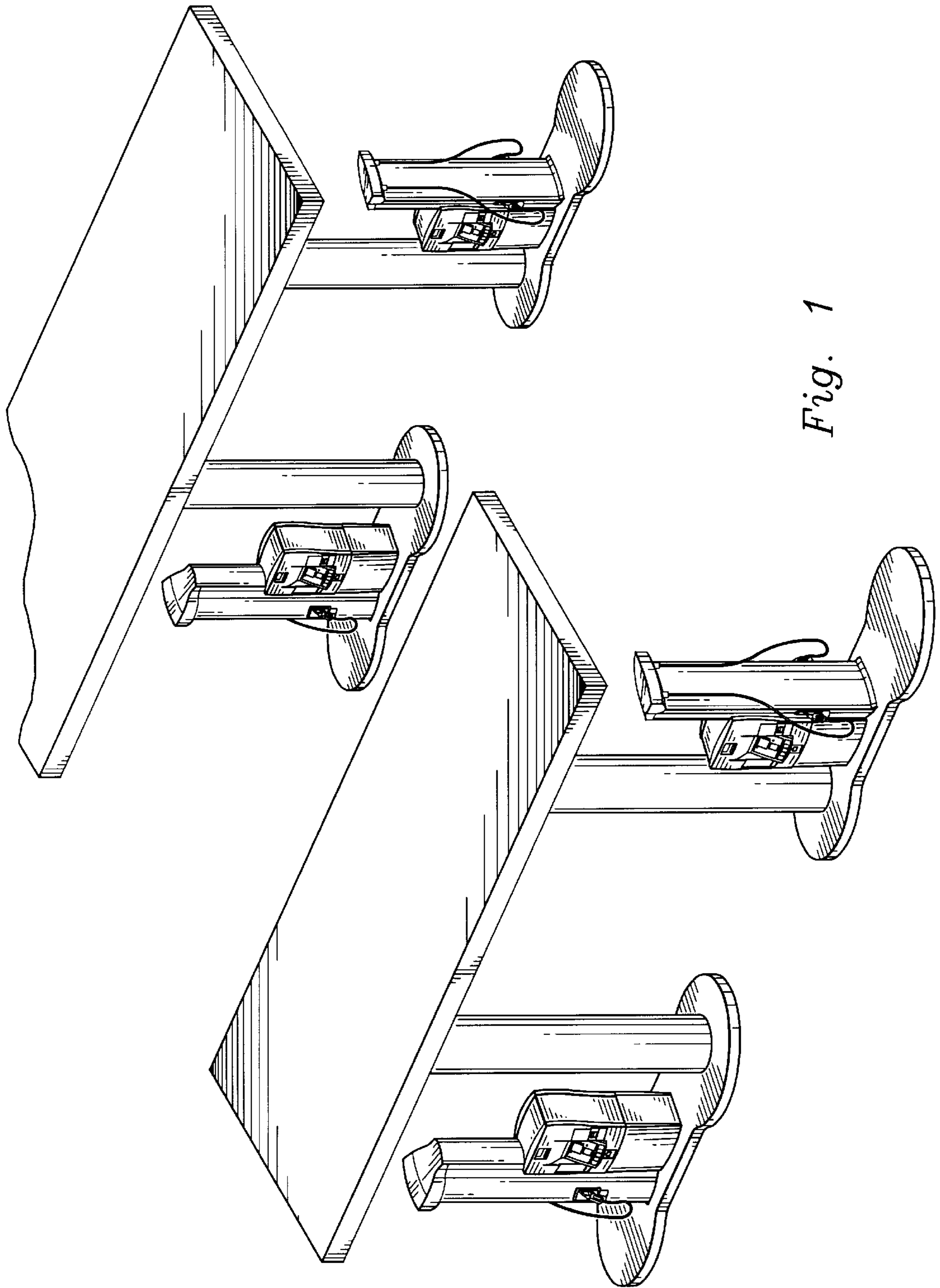


Fig. 1

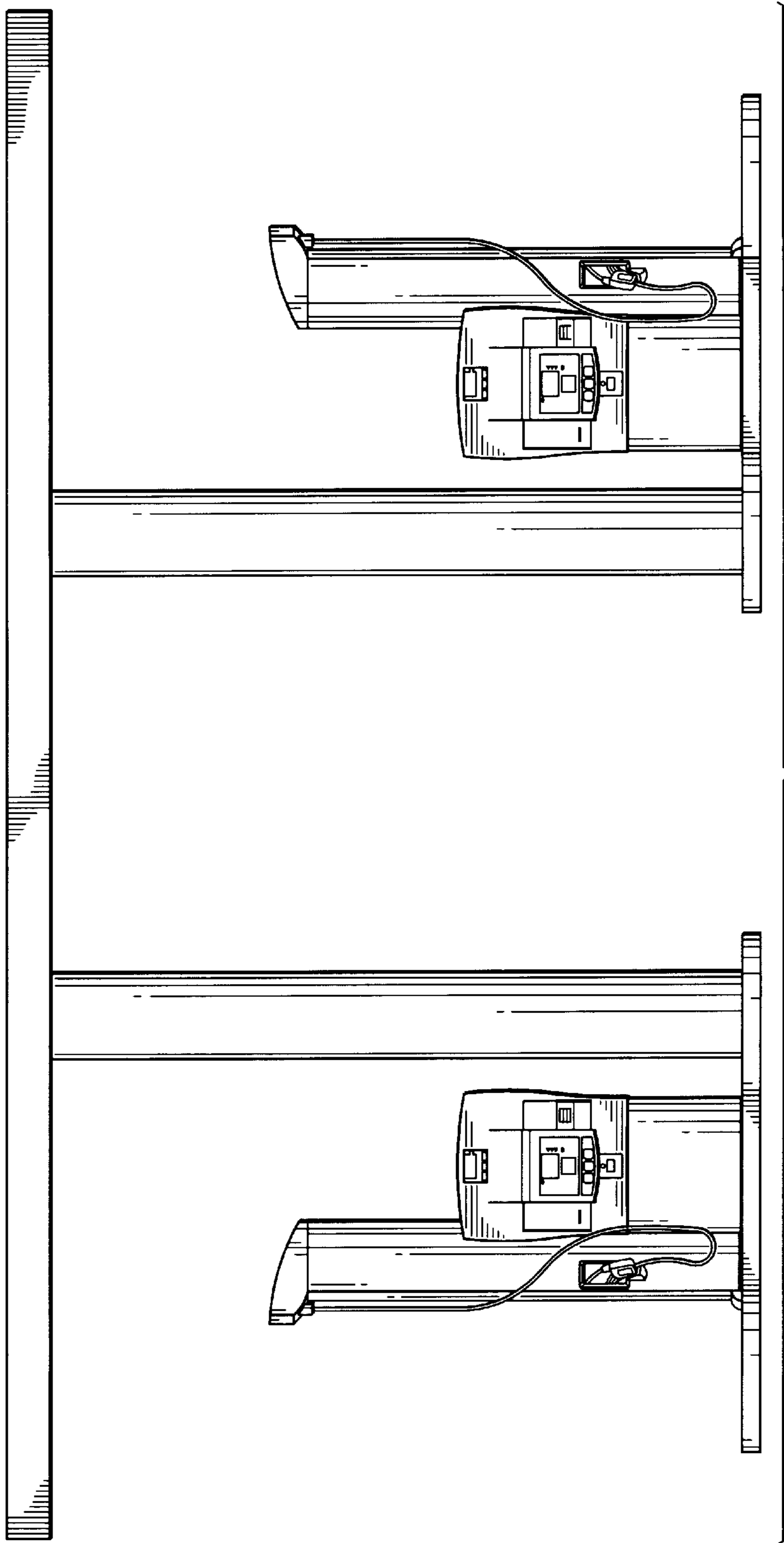


Fig. 2

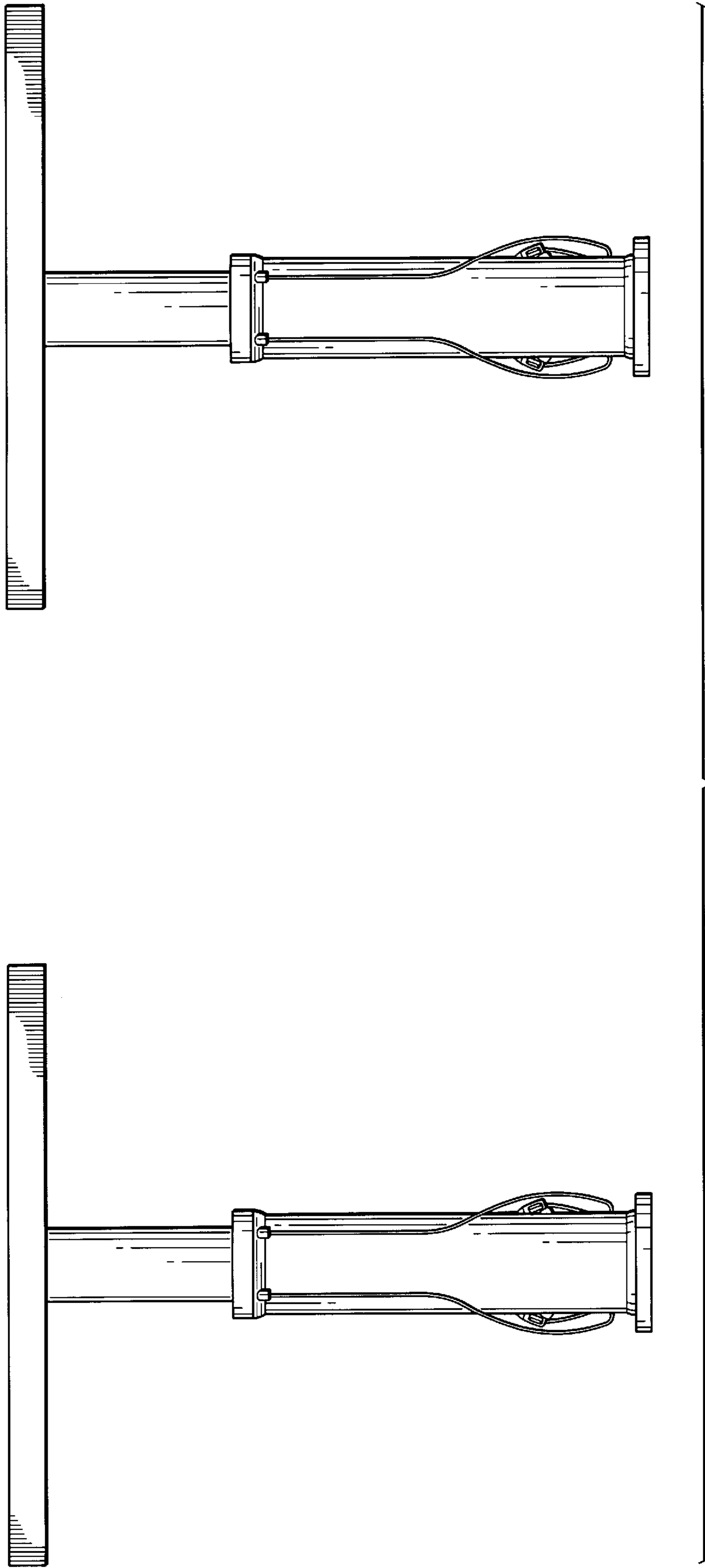


Fig. 3

UNITED STATES PATENT AND TRADEMARK OFFICE
CERTIFICATE OF CORRECTION

PATENT NO. : Des. 433,030
DATED : October 31, 2000
INVENTOR(s) : Ken W. Taylor; Scott R. Negley, III; Dave Eric Embertson; and
Gregg Robert Draudt

It is certified that error appears in the above-identified patent and that said Letters Patent is hereby corrected as shown below:


On the Title Page:

Insert the word A in front of the application title to read “[54] A SET OF SERVICE STATION ISLANDS.”

Under [57] CLAIM and before the described claim, insert “We claim:”.

Signed and Sealed this
Twenty-ninth Day of May, 2001

Attest:



NICHOLAS P. GODICI

Attesting Officer

Acting Director of the United States Patent and Trademark Office