



US00D433028S

United States Patent [19]
Mochizuki

[11] **Patent Number: Des. 433,028**

[45] **Date of Patent: ** Oct. 31, 2000**

[54] **COMBINED BOBBIN WITH THERMAL TRANSFER FILM**

[75] Inventor: **Tatsuo Mochizuki**, Yamanashi-Ken, Japan

[73] Assignee: **Nisca Corporation**, Yamanashi-ken, Japan

[**] Term: **14 Years**

[21] Appl. No.: **29/113,246**

[22] Filed: **Nov. 2, 1999**

Related U.S. Application Data

[62] Division of application No. 29/078,445, Oct. 24, 1997, Pat. No. Des. 424,552.

[30] **Foreign Application Priority Data**

Apr. 25, 1997 [JP] Japan 9-52694

[51] **LOC (7) Cl.** **14-99**

[52] **U.S. Cl.** **D14/484**

[58] **Field of Search** D14/483, 484, D14/481, 482, 474; D15/78; 242/118.4, 118.61, 376, 41; 112/279; 369/117, 292; 360/132, 133; D16/237, 250

[56] **References Cited**

U.S. PATENT DOCUMENTS

D. 230,890 3/1974 Okajima D14/122
D. 342,942 1/1994 Kotaki D14/121
711,617 10/1902 Clarke D14/122 X

1,866,268 7/1932 Owens 369/292 X
1,956,881 5/1934 Strait 242/118.4 X
2,166,243 7/1939 Elvin 242/118.3
2,486,514 11/1949 Boehnke 242/118.4 X
3,276,717 10/1966 Lewis et al. 242/118.61
4,600,165 7/1986 Shoemaker 242/118.4
5,320,301 6/1994 Cross 242/118.4 X

Primary Examiner—Prabhakar Deshmukh
Attorney, Agent, or Firm—Pitney, Hardin, Kipp & Szuch LLP

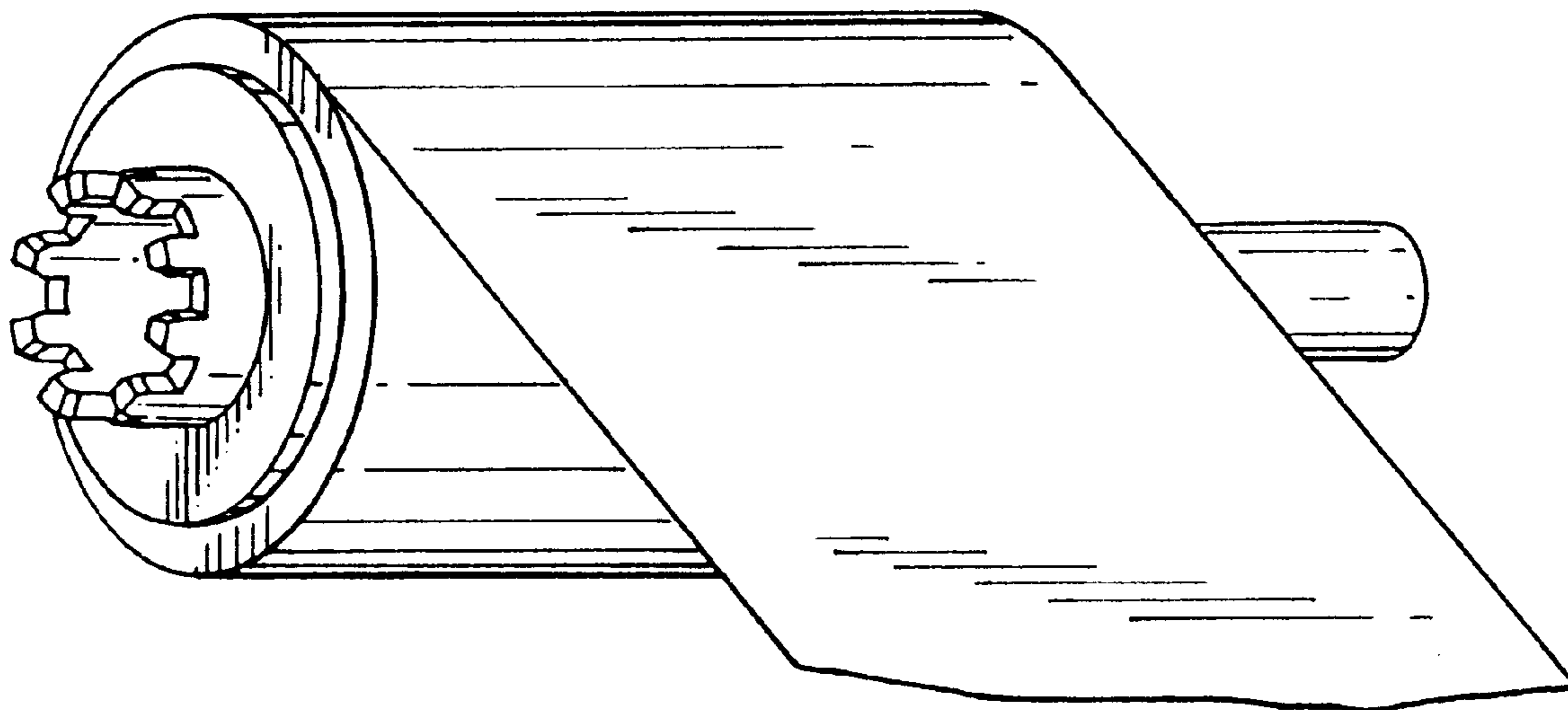
[57] **CLAIM**

The ornamental design for combined bobbin with thermal transfer film, as shown and described.

DESCRIPTION

FIG. 1 is a perspective view of the combined bobbin with thermal transfer film of the present invention; FIG. 2 is a front elevational view of the combined bobbin with thermal transfer film of FIG. 1 depicted in a fully loaded condition; FIG. 3 is a view identical to FIG. 2 but indicating section lines thereon; FIG. 4 is a rear view of the fully loaded combined bobbin with thermal transfer film; FIG. 5 is a left side view of the fully loaded combined bobbin with thermal transfer film; FIG. 6 is a right side view of the fully loaded combined bobbin with thermal transfer film; FIG. 7 is a sectional view taken along lines 7—7 of FIG. 3; and, FIG. 8 is a sectional view taken along lines 8—8 of FIG. 3.

1 Claim, 3 Drawing Sheets



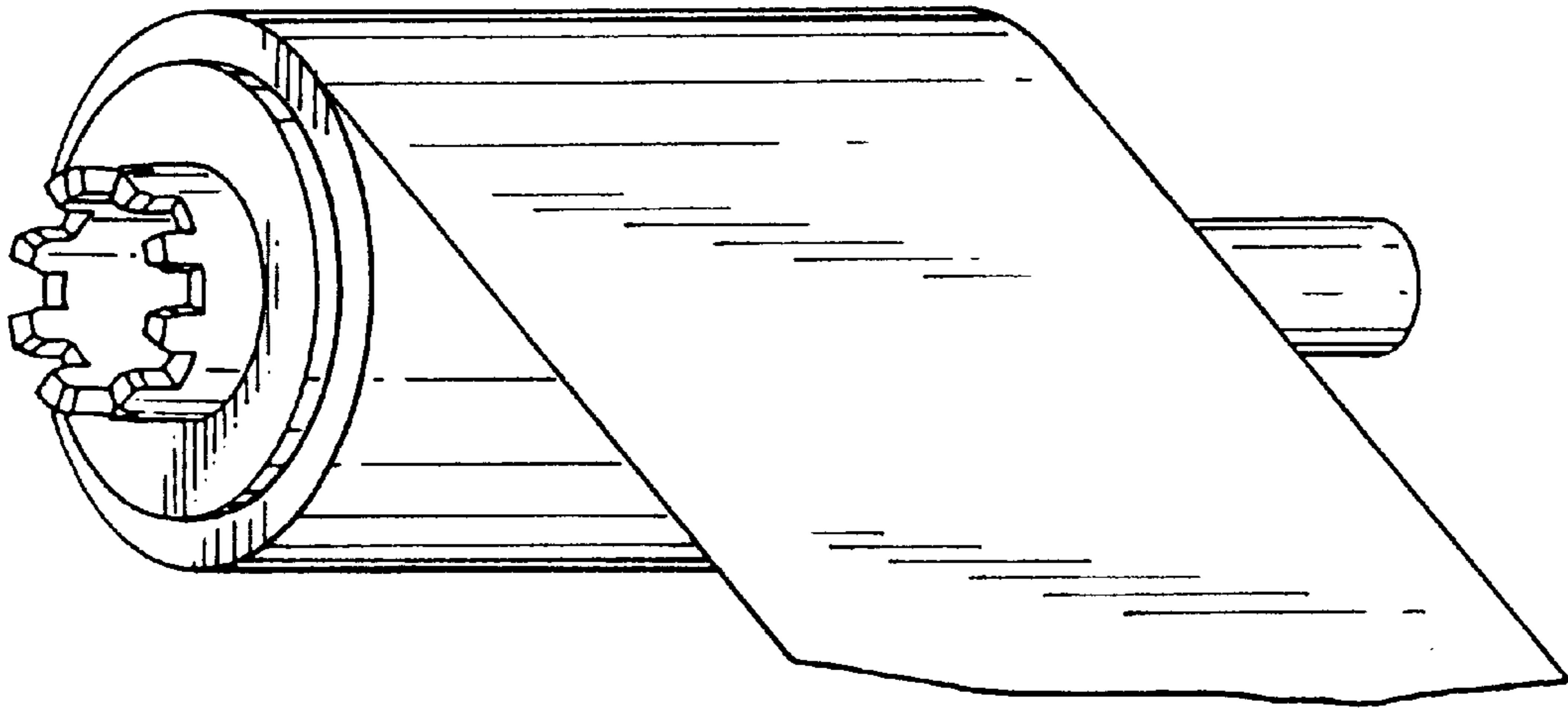


FIG. 1

FIG. 2

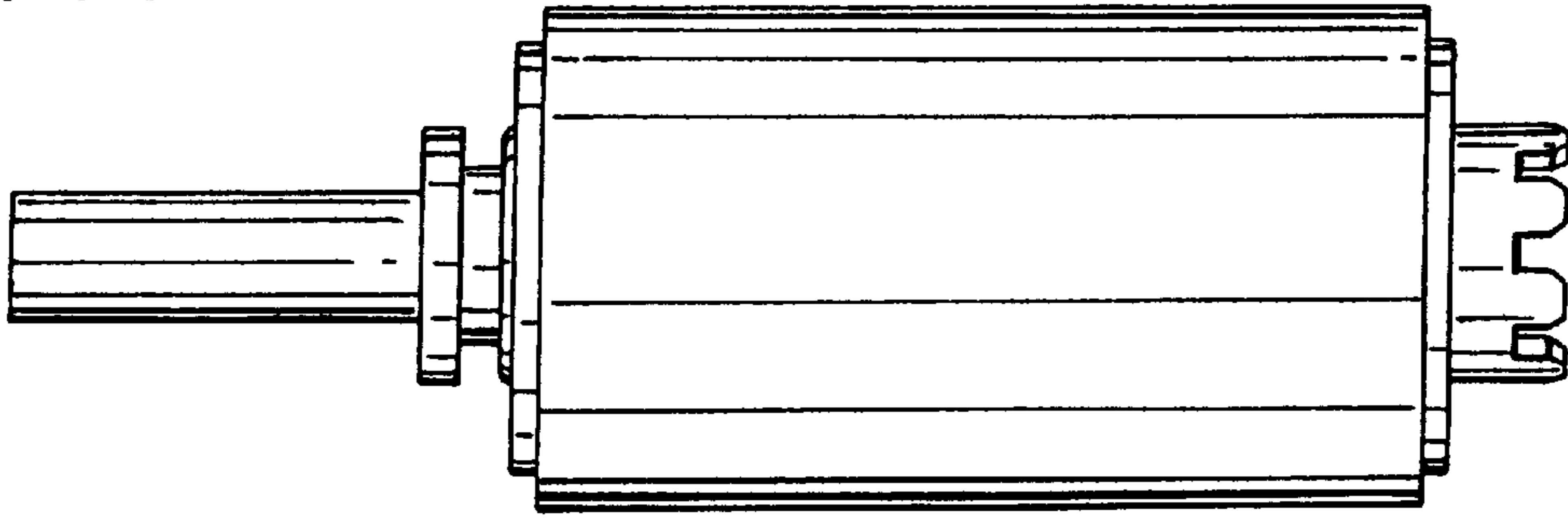


FIG. 3

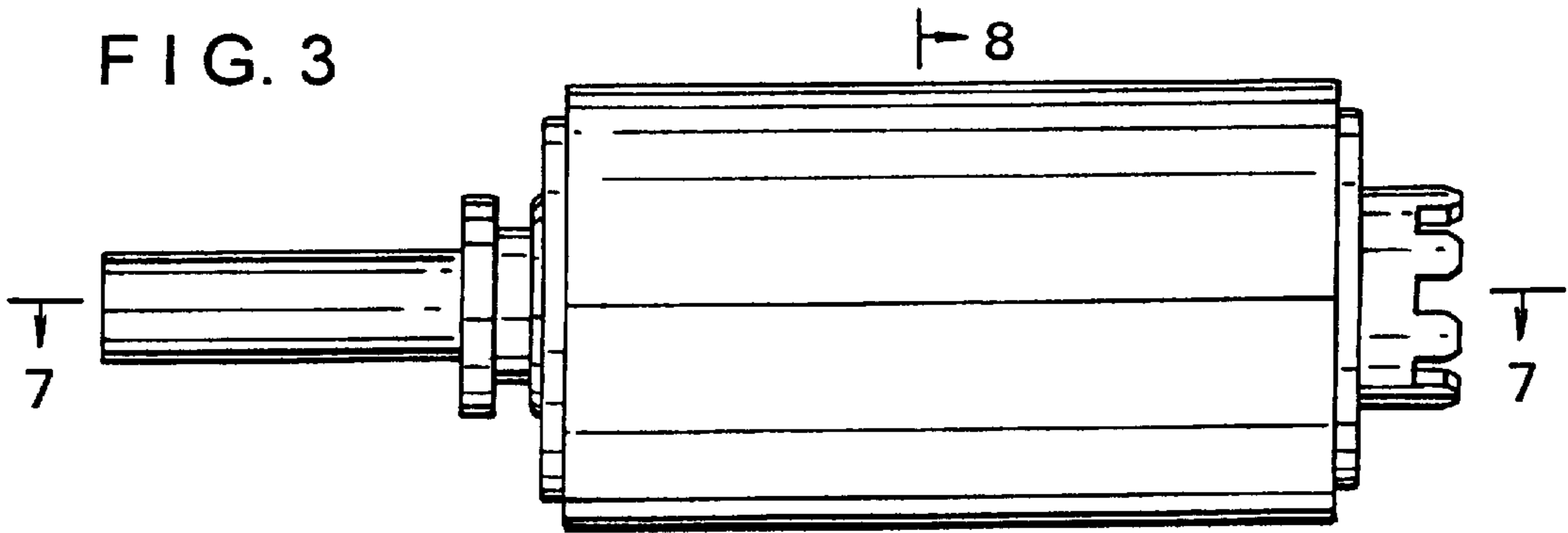


FIG. 4

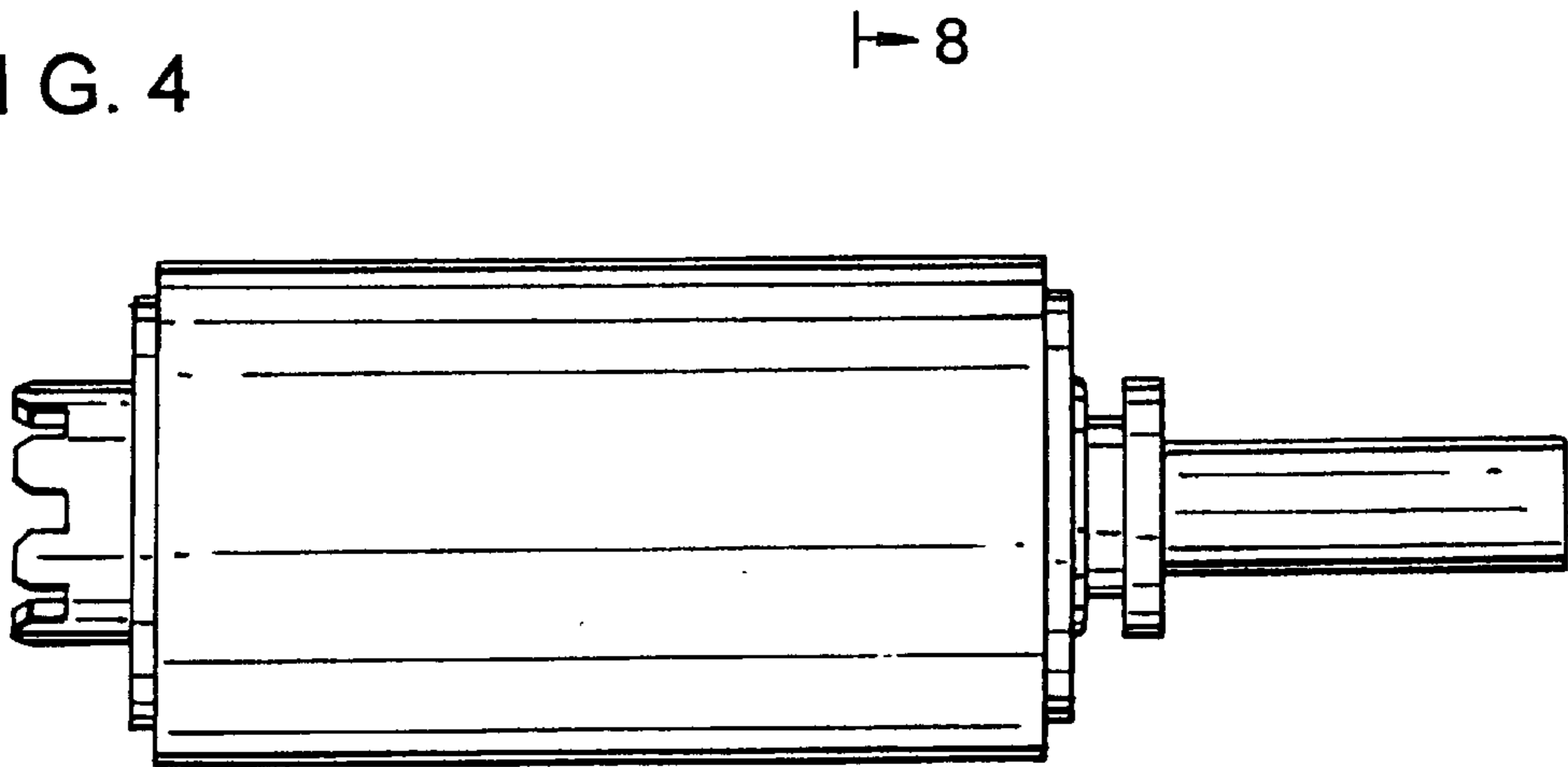


FIG. 5

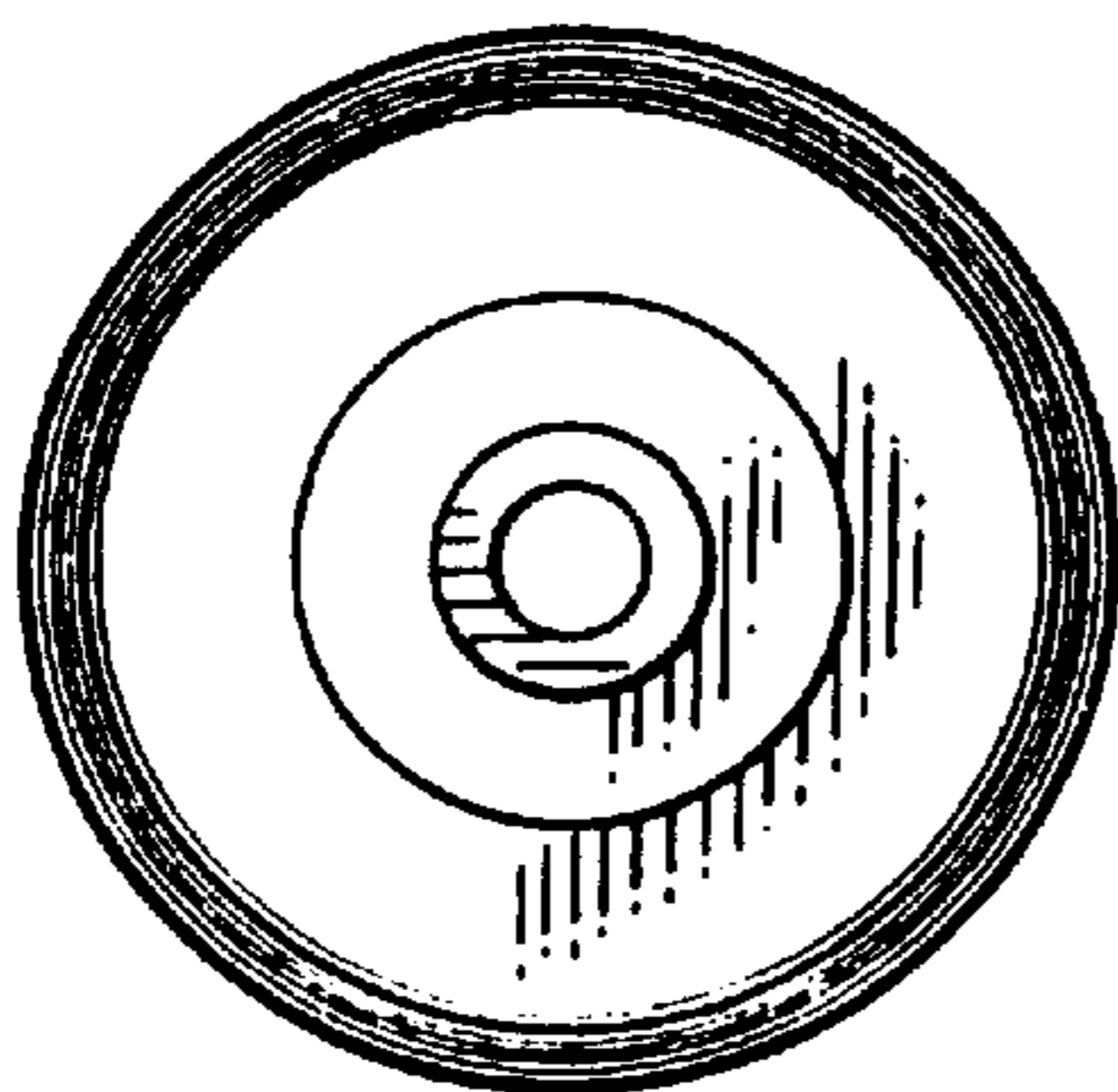


FIG. 6

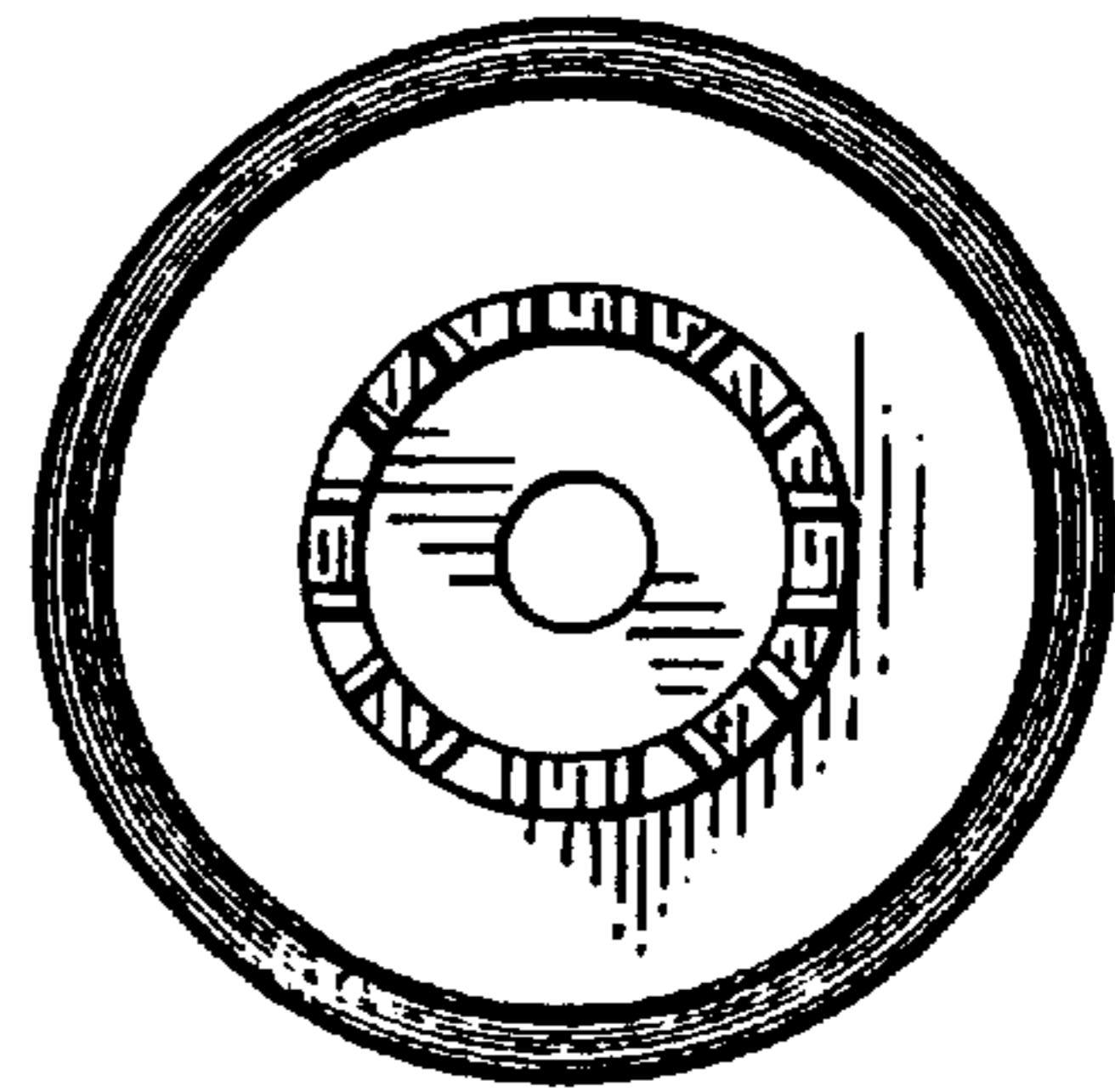


FIG. 7

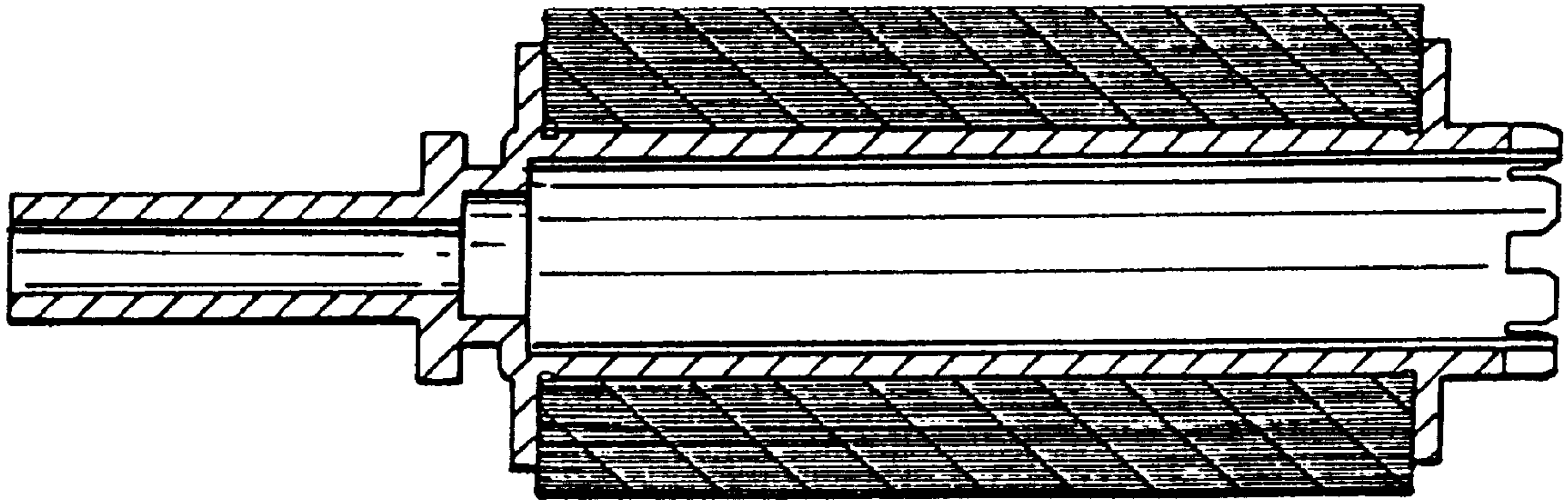


FIG. 8

