



US00D433027S

# United States Patent [19] Lin

[11] **Patent Number: Des. 433,027**

[45] **Date of Patent: \*\* Oct. 31, 2000**

[54] **COMPUTER FRONT BEZEL**

[75] Inventor: **Cheng Shan Lin**, Taipei, Taiwan

[73] Assignee: **Hon Hai Precision Ind. Co., Ltd.**,  
Taipei Hsien, Taiwan

[\*\*] Term: **14 Years**

[21] Appl. No.: **29/118,872**

[22] Filed: **Feb. 17, 2000**

[30] **Foreign Application Priority Data**

Feb. 2, 2000 [TW] Taiwan ..... 089300744

[51] **LOC (7) Cl.** ..... **14-02**

[52] **U.S. Cl.** ..... **D14/441**

[58] **Field of Search** ..... D14/441-445,  
D14/257, 258; D13/162, 184, 199, 164,  
177; D10/103; 312/223.2; 361/724-728

[56] **References Cited**

**U.S. PATENT DOCUMENTS**

D. 359,279 6/1995 Fujimura et al. .... D14/442

D. 363,477 10/1995 Tinsley, Jr. et al. .... D14/445  
D. 390,841 2/1998 Lin ..... D14/445  
D. 392,281 3/1998 Poole et al. .... D14/441

*Primary Examiner*—Freda Nunn  
*Attorney, Agent, or Firm*—Wei Te Chung

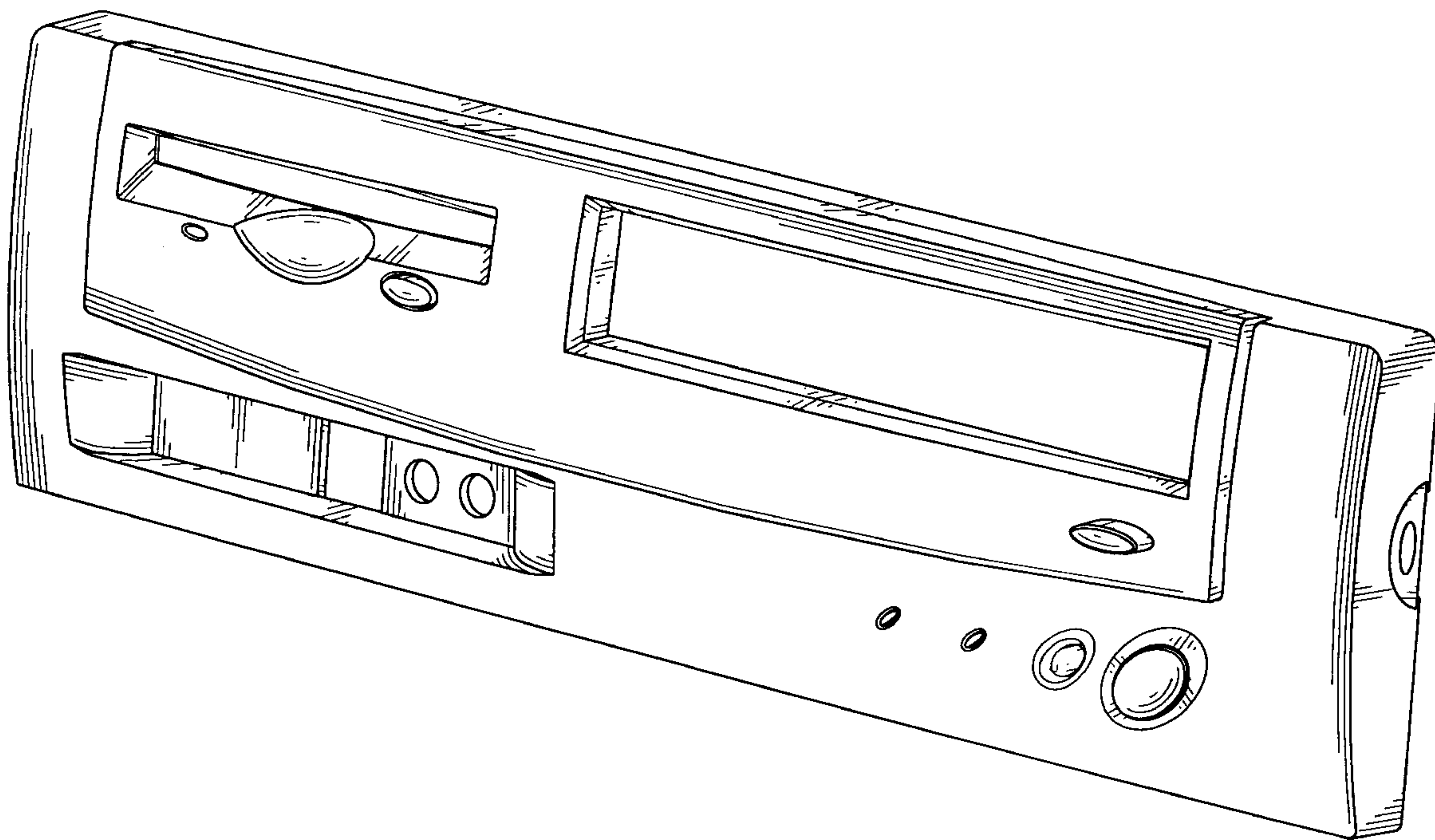
[57] **CLAIM**

The ornamental design for a computer front bezel, as shown and described.

**DESCRIPTION**

FIG. 1 is a perspective view of a computer front bezel showing my new design;  
FIG. 2 is a front elevational view thereof;  
FIG. 3 is a rear elevational view thereof;  
FIG. 4 is a left side elevational view thereof;  
FIG. 5 is a right side elevational view thereof;  
FIG. 6 is a top plan view thereof;  
FIG. 7 is a bottom plan view thereof; and,  
FIG. 8 is a reduced perspective view thereof being shown attached to a computer which is shown in broken lines for illustrative purposes only and forms no part of the claimed design.

**1 Claim, 6 Drawing Sheets**



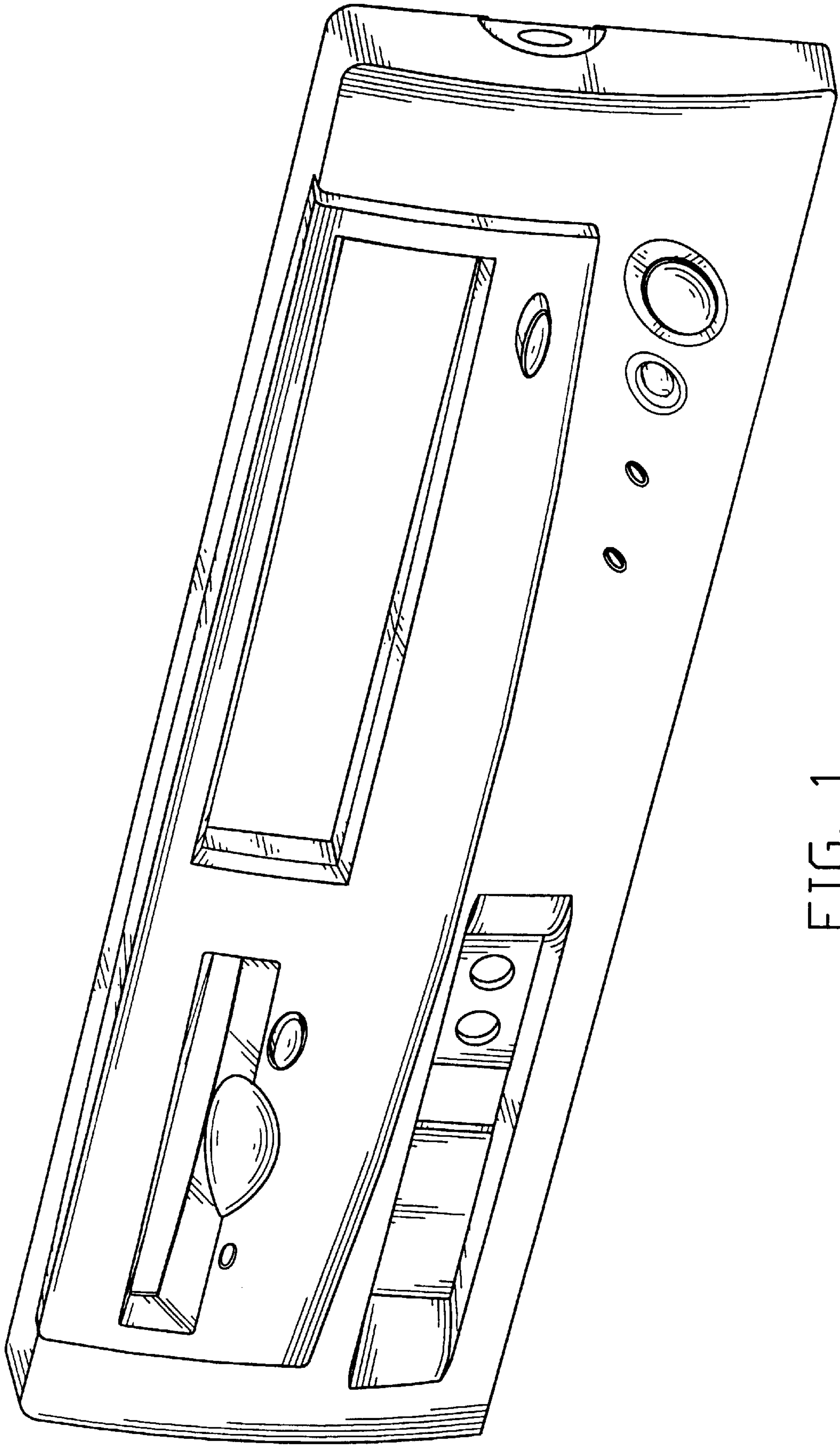


FIG. 1

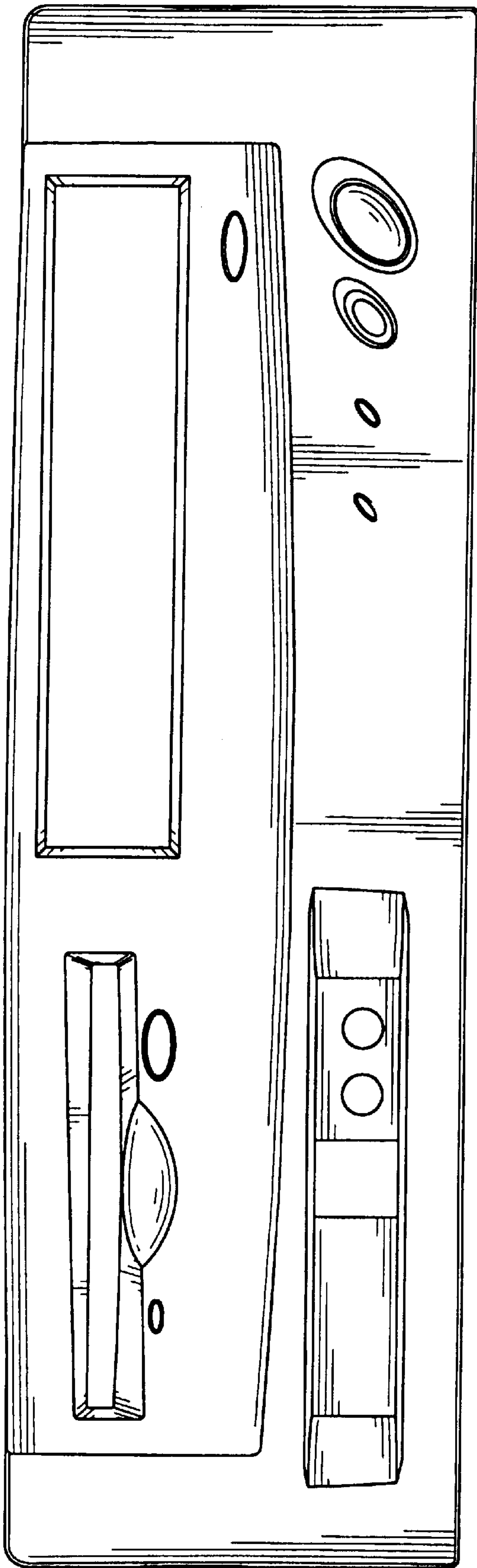


FIG. 2

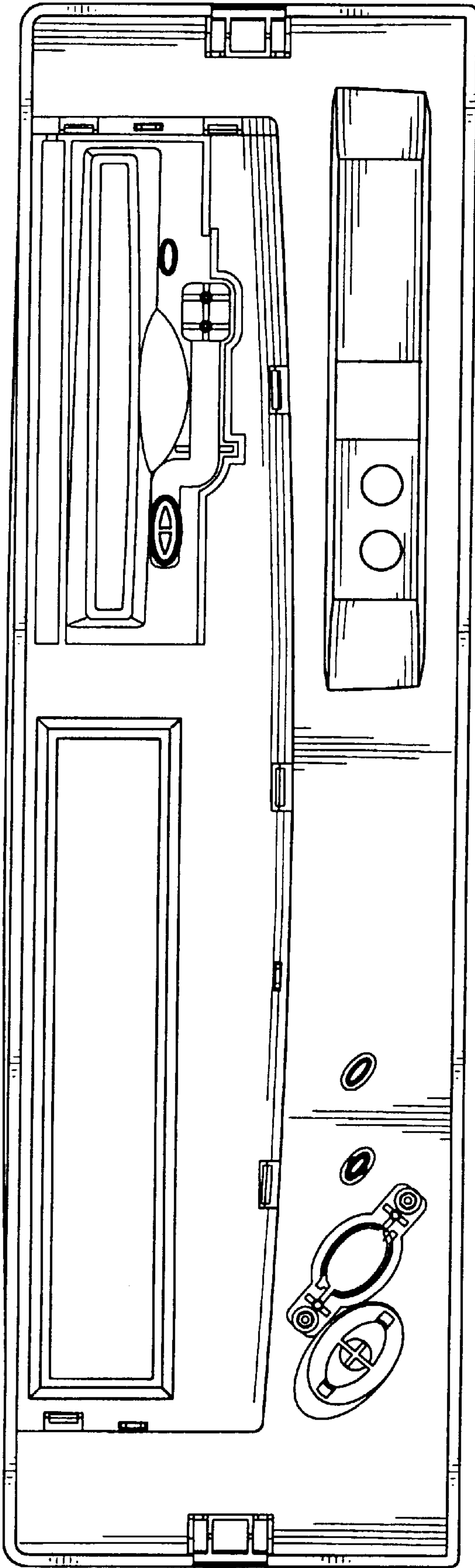


FIG. 3

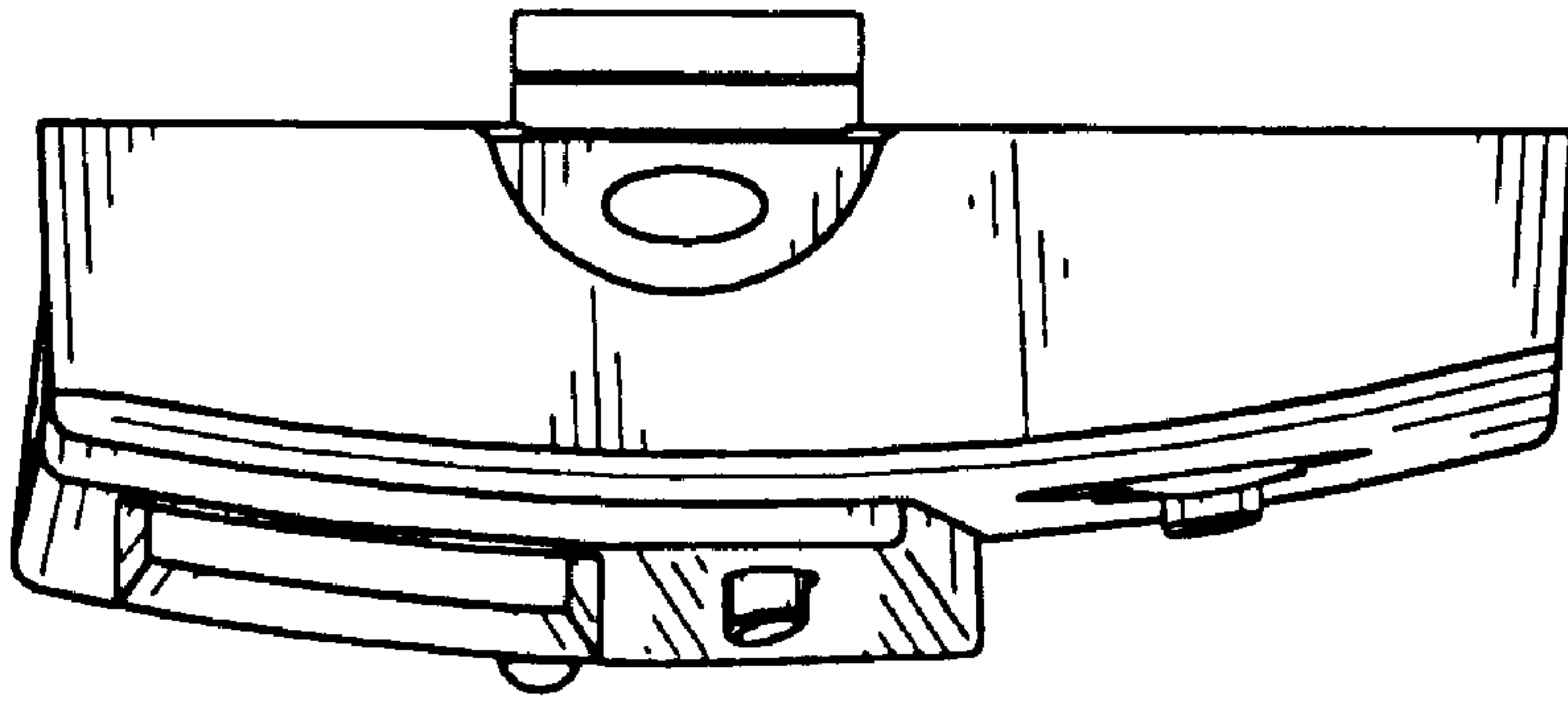


FIG. 5

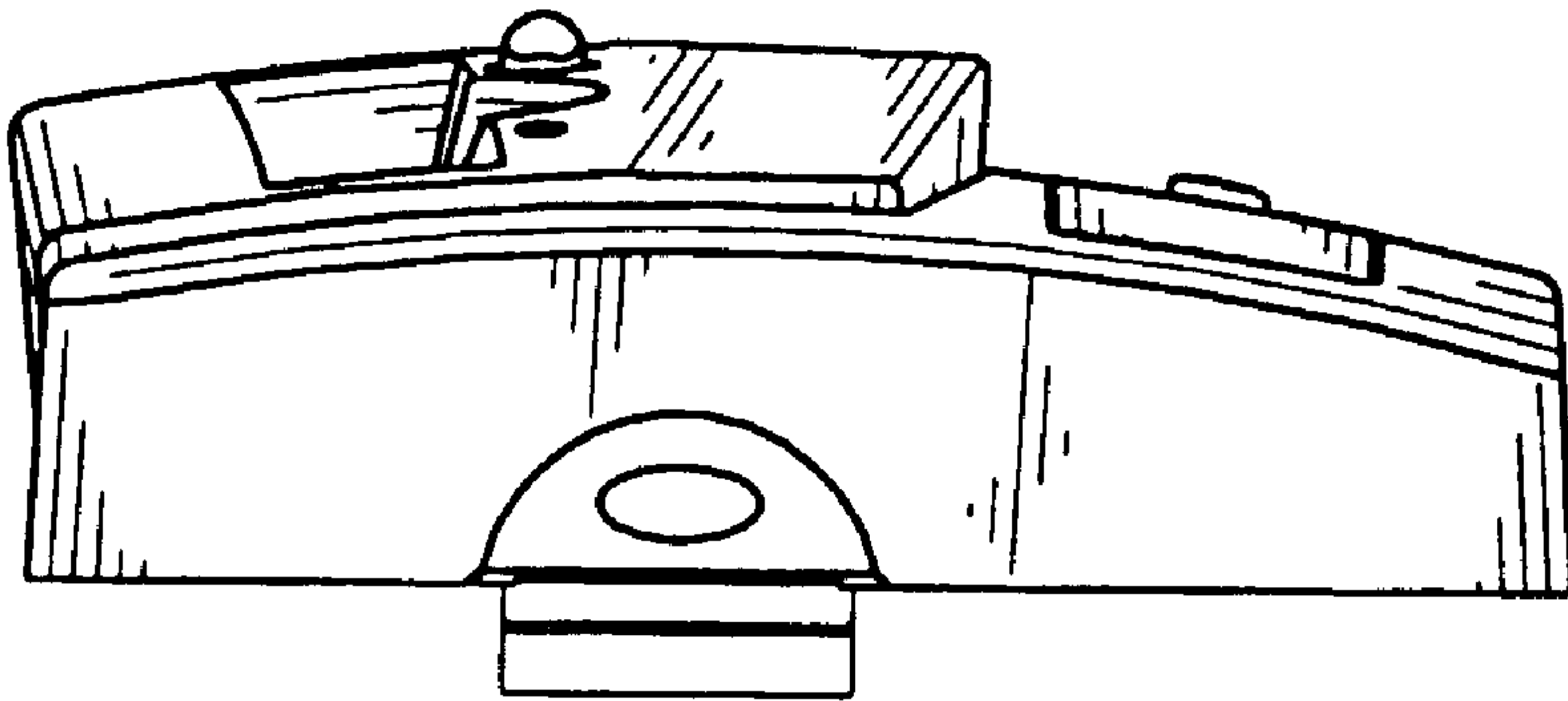


FIG. 4

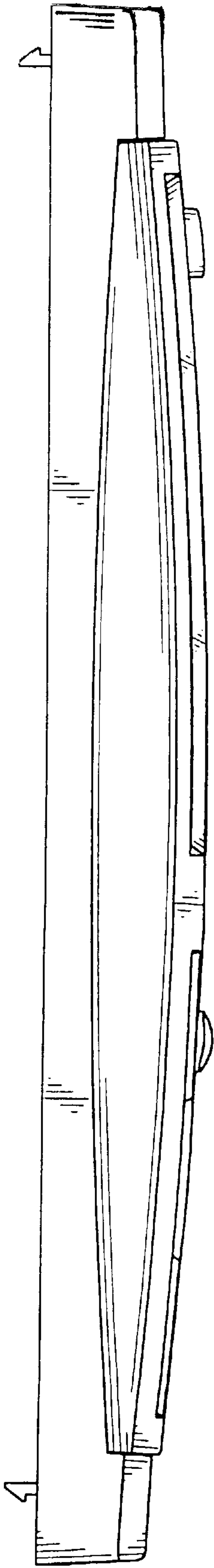


FIG. 6

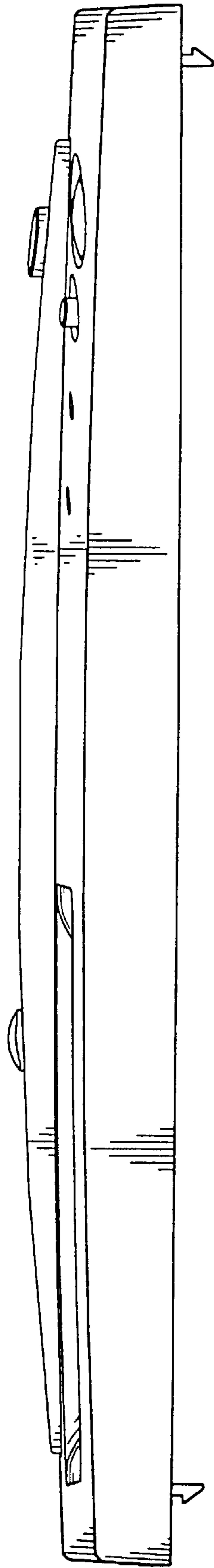


FIG. 7



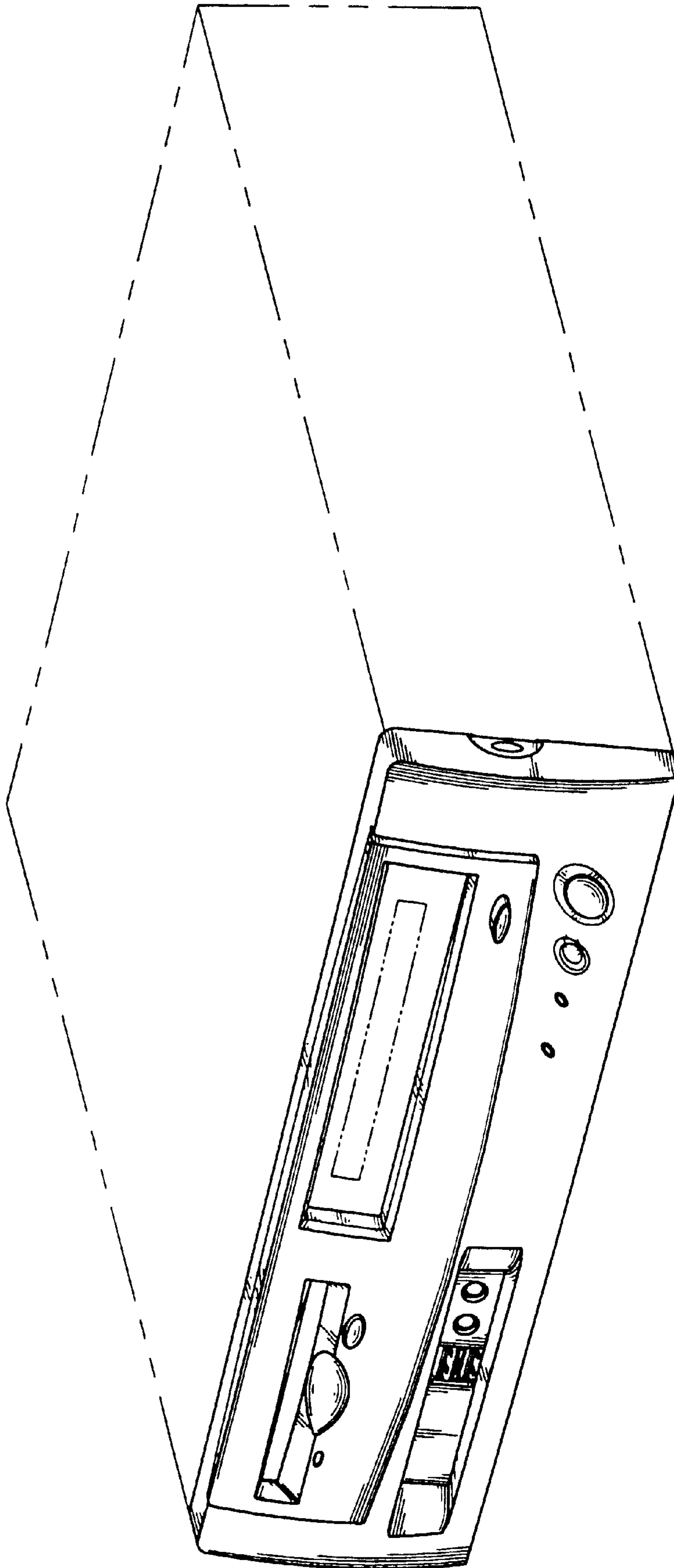


FIG. 8