



US00D433025S

# United States Patent [19] Bath

[11] **Patent Number: Des. 433,025**

[45] **Date of Patent: \*\* Oct. 31, 2000**

[54] **SERVER CASE BACK PANEL**

[75] Inventor: **Billy Bath**, Milpitas, Calif.

[73] Assignee: **Telenet System Solutions, Inc.**, San Jose, Calif.

[\*\*] Term: **14 Years**

[21] Appl. No.: **29/113,220**

[22] Filed: **Nov. 1, 1999**

[51] **LOC (7) Cl.** ..... **14-02**

[52] **U.S. Cl.** ..... **D14/441**

[58] **Field of Search** ..... D14/348, 349, D14/354, 441, 444, 446, 432, 450; D13/162, 184, 199, 164, 177; D10/103; 312/223.2

[56] **References Cited**

**U.S. PATENT DOCUMENTS**

D. 242,467	11/1976	Jenkins	.....	D14/441
D. 275,105	8/1984	Kuschewski et al.	.....	D14/443
D. 372,909	8/1996	Naufel	.....	D14/432

*Primary Examiner*—Freda Nunn

*Attorney, Agent, or Firm*—Carol D. Titus; James J. Leary

[57] **CLAIM**

The ornamental design for a server case back panel, as shown and described.

**DESCRIPTION**

FIG. 1 is a front view of the server case back panel, the

broken line showing of the electrical connector is for illustrative purposes only and forms no part of the claimed design;

FIG. 2 is a front view thereof;

FIG. 3 is a close-up, front perspective view thereof;

FIG. 4 is a back view thereof, the broken line showing of the electrical connector is for illustrative purposes only and forms no part of the claimed design;

FIG. 5 is a back view thereof;

FIG. 6 is a close-up, back perspective view thereof;

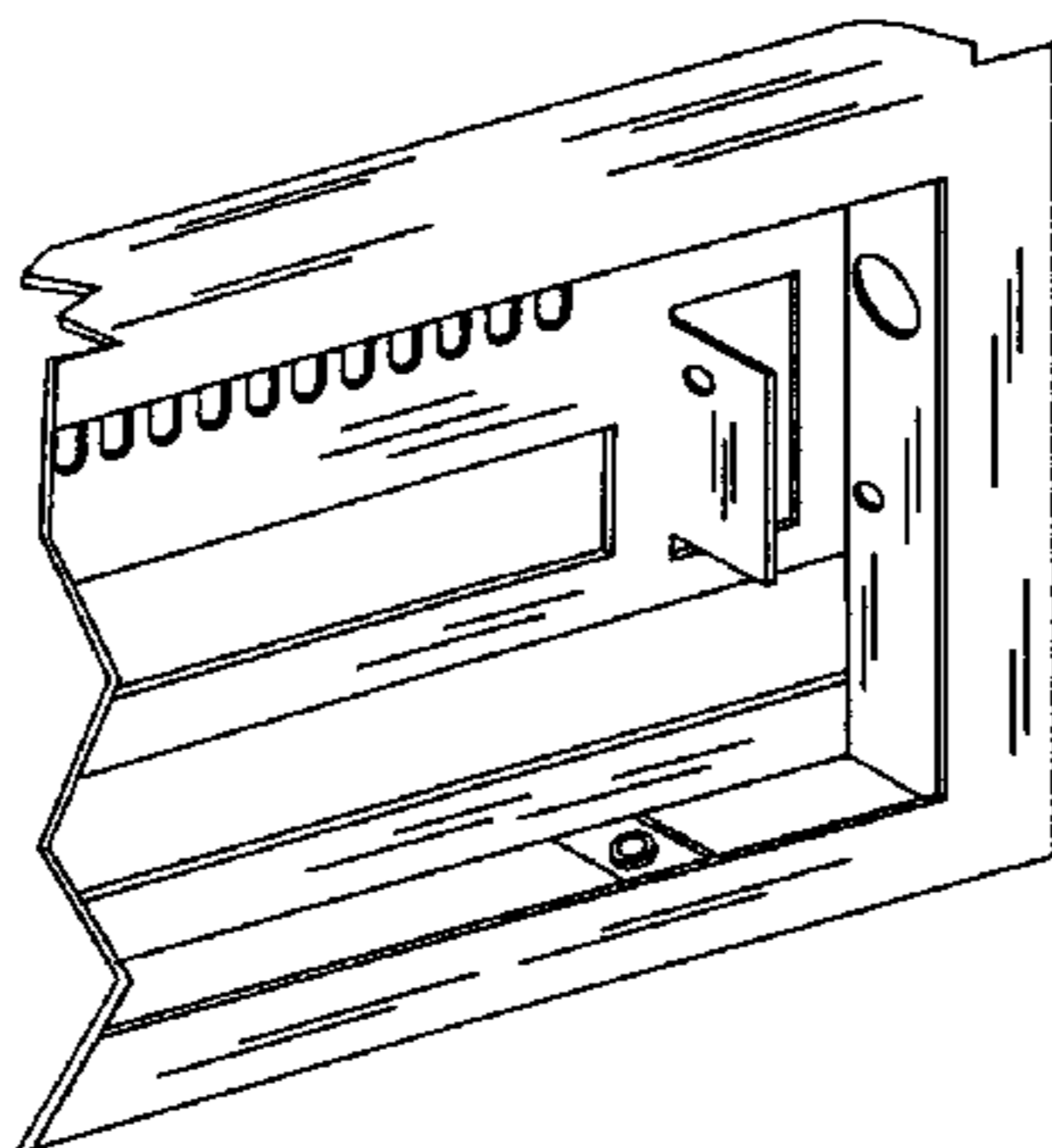
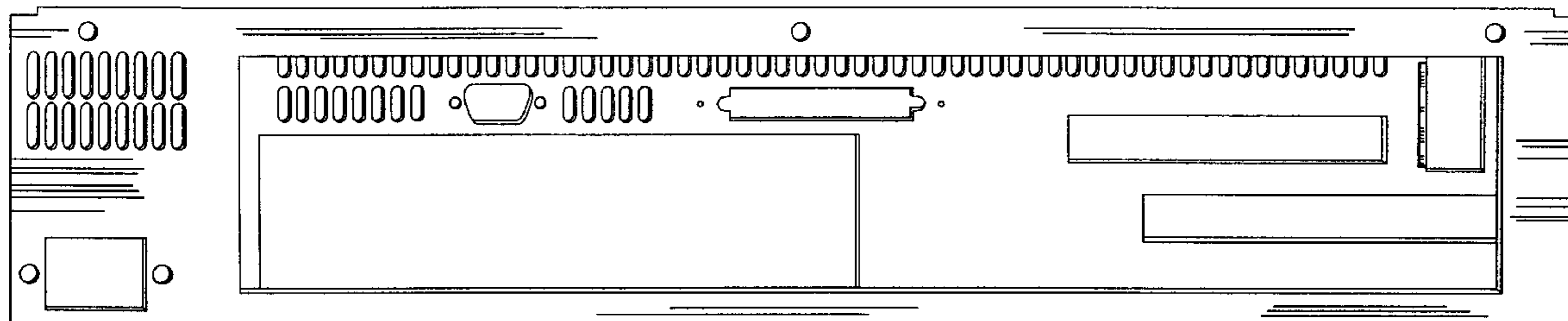
FIG. 7 is a top view thereof, the broken line showing of associated parts is for illustrative purposes only and forms no part of the claimed design.

FIG. 8 is a bottom view thereof, the broken line showing of associated parts is for illustrative purposes only and forms no part of the claimed design; and

FIG. 9 is a left side view thereof, the broken line showing of associated parts is for illustrative purposes only and forms no part of the claimed design; and,

FIG. 10 is a right side view thereof, the broken line showing of associated parts is for illustrative purposes only and forms no part of the claimed design.

**1 Claim, 3 Drawing Sheets**



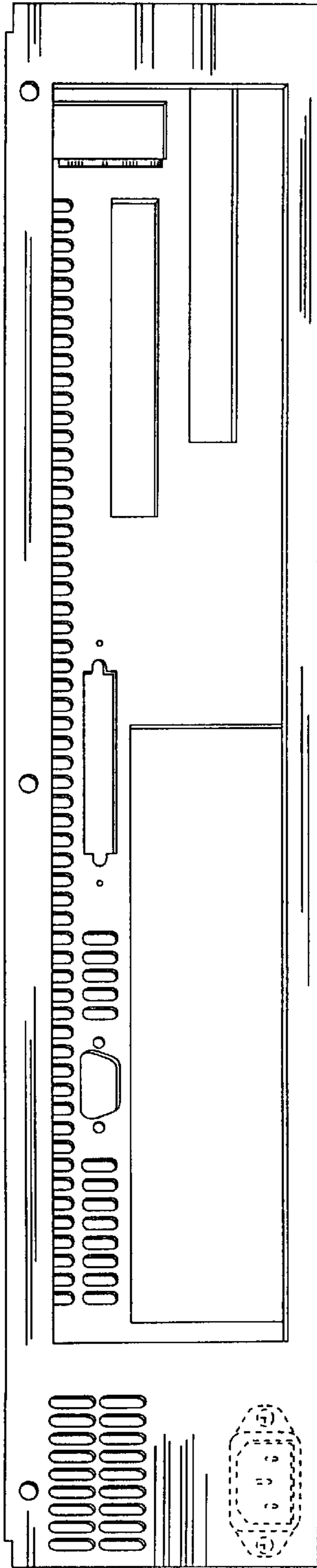


Fig. 1

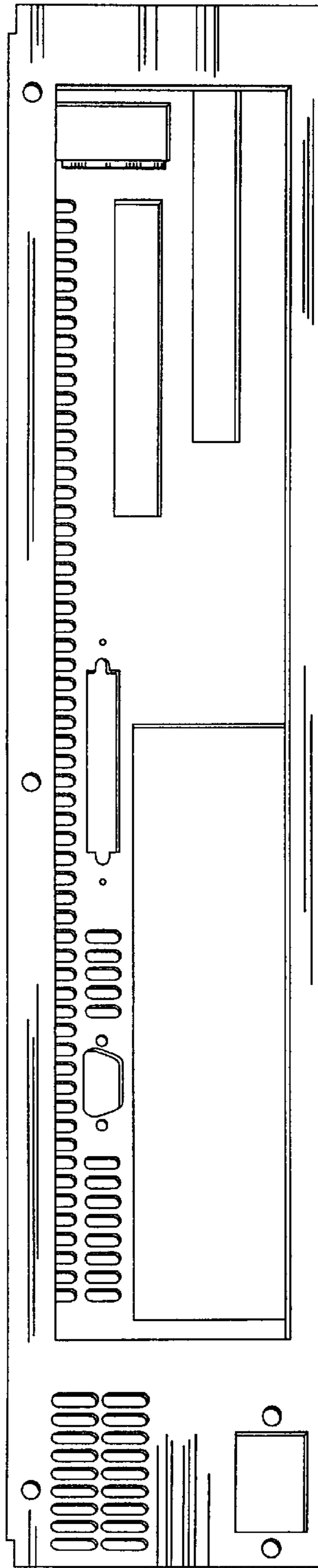


Fig. 2

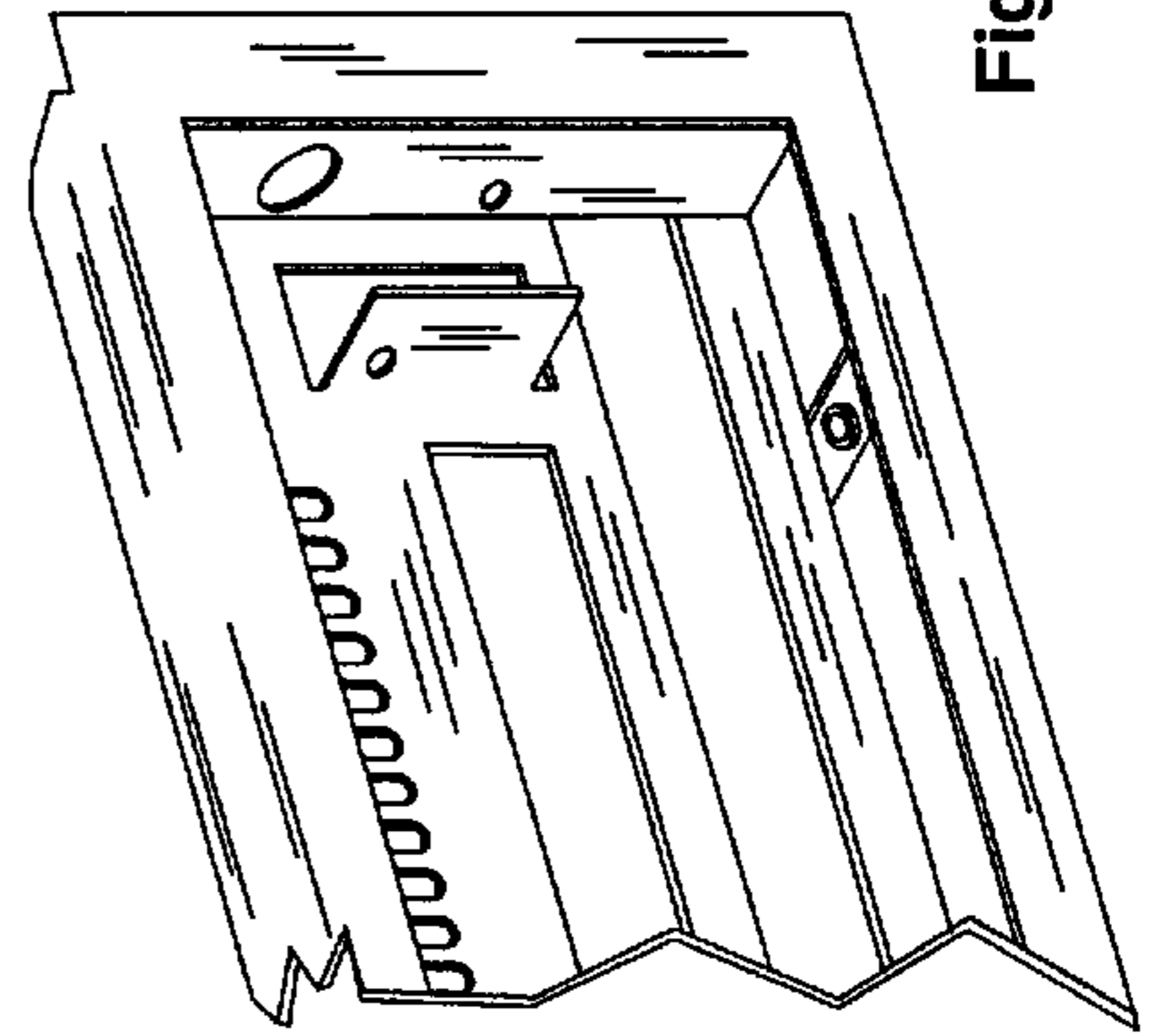


Fig. 3

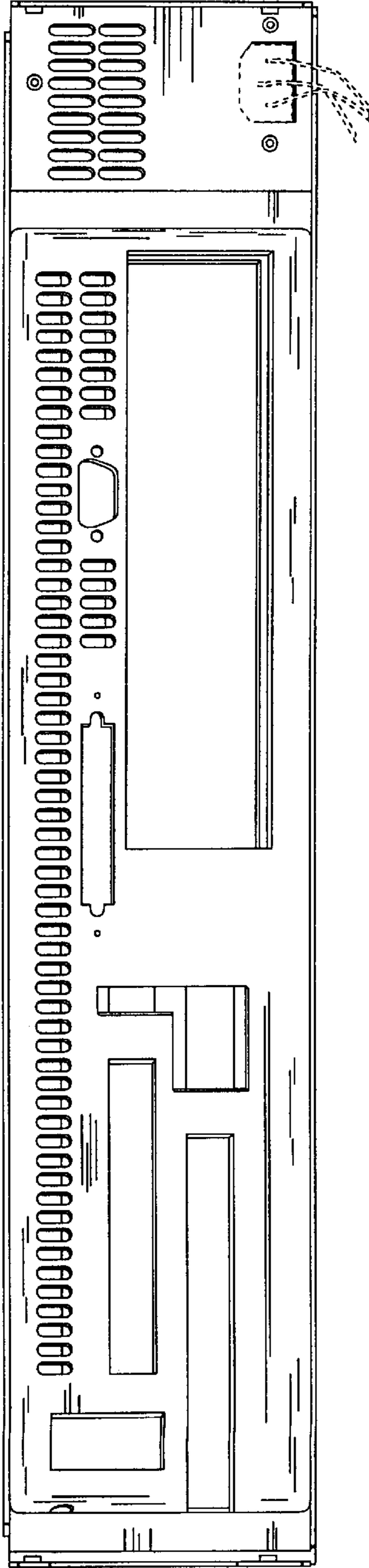


Fig. 4

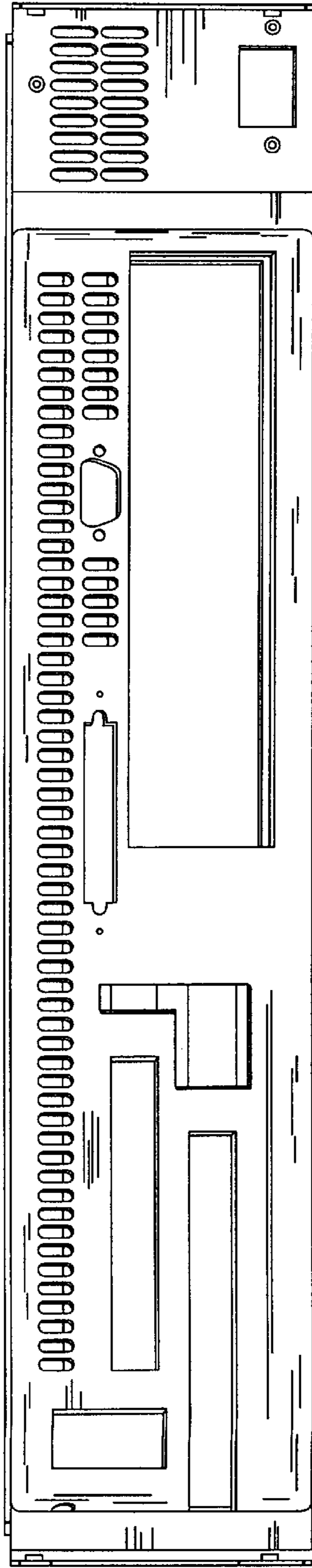


Fig. 5

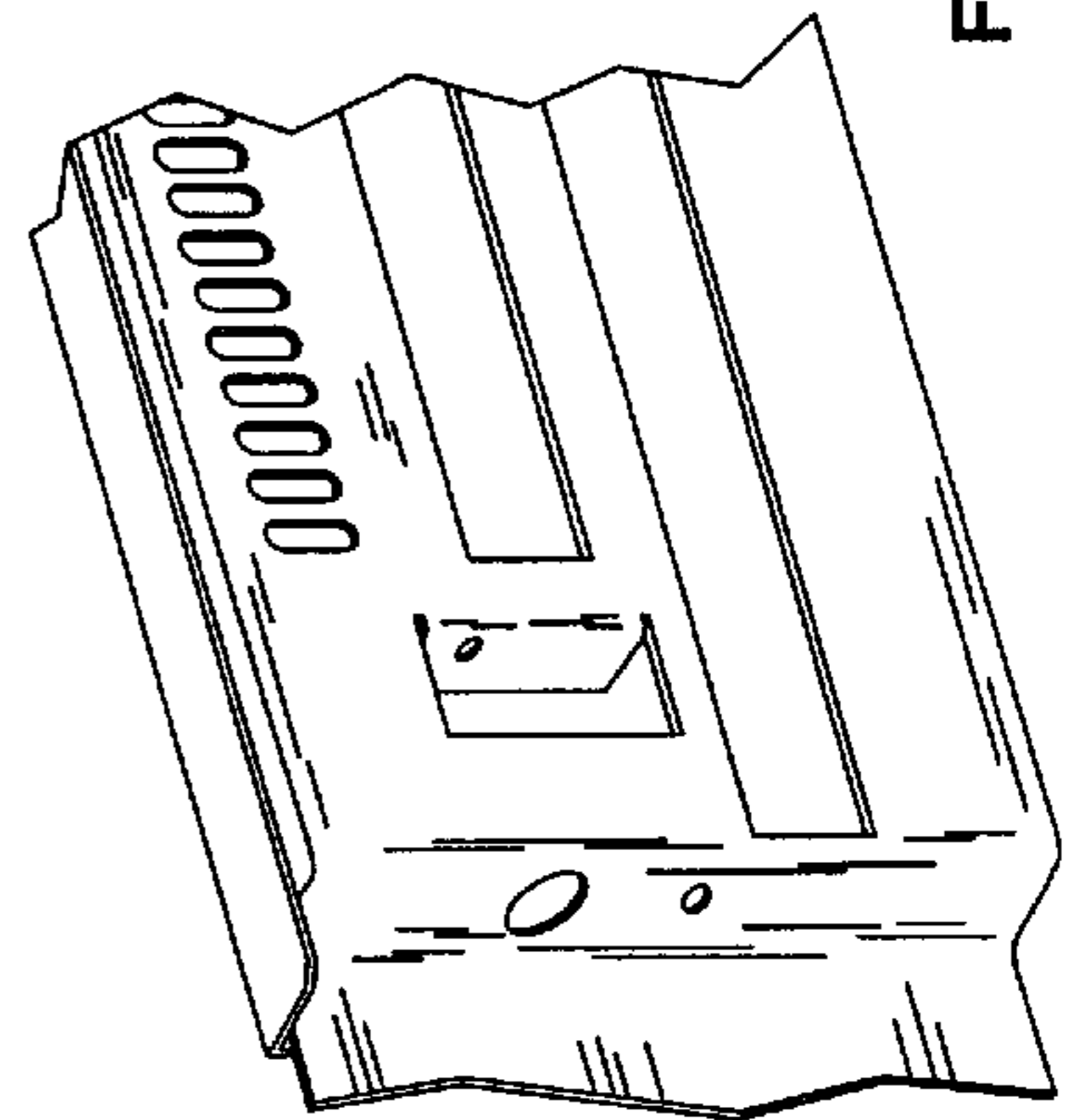


Fig. 6

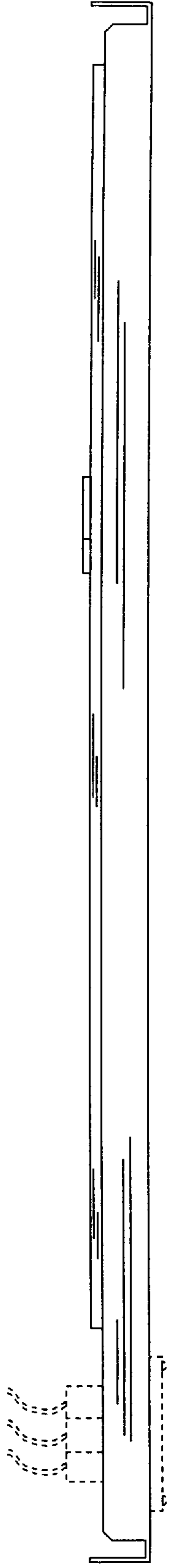


Fig. 7

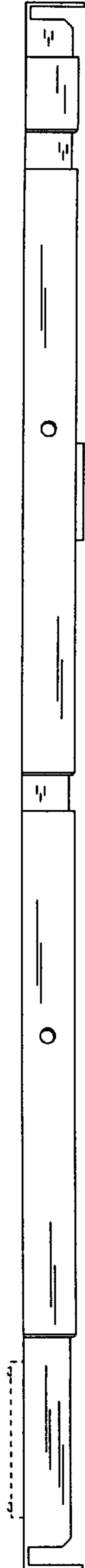


Fig. 8

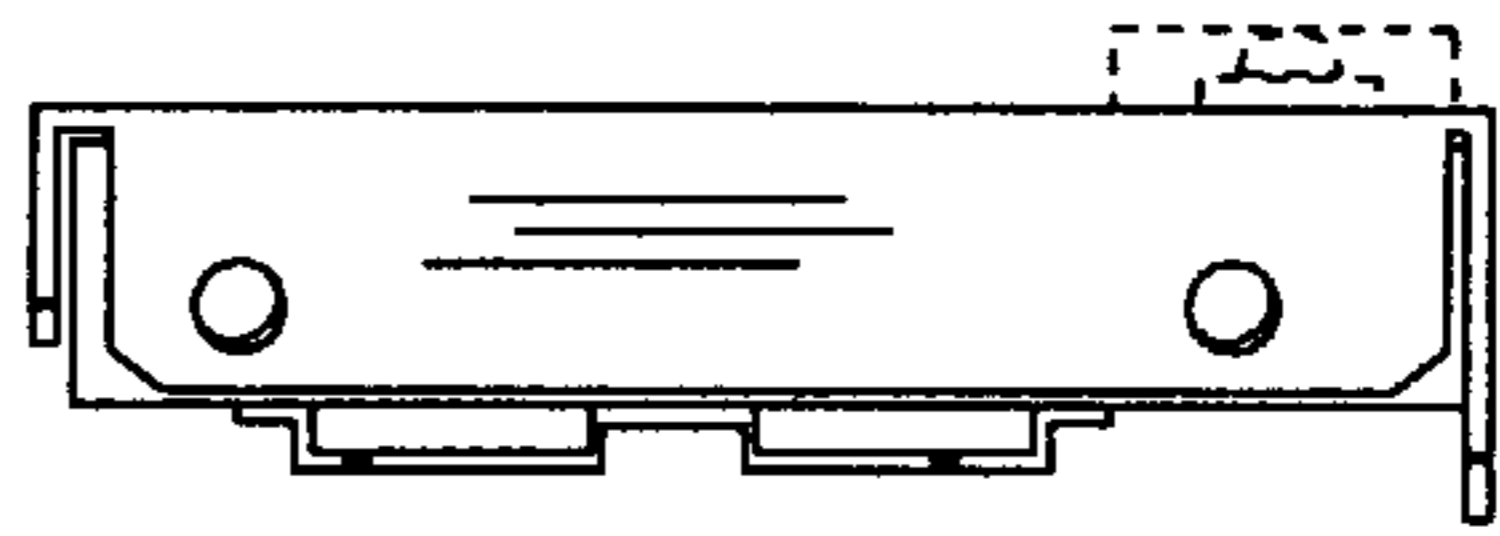


Fig. 9

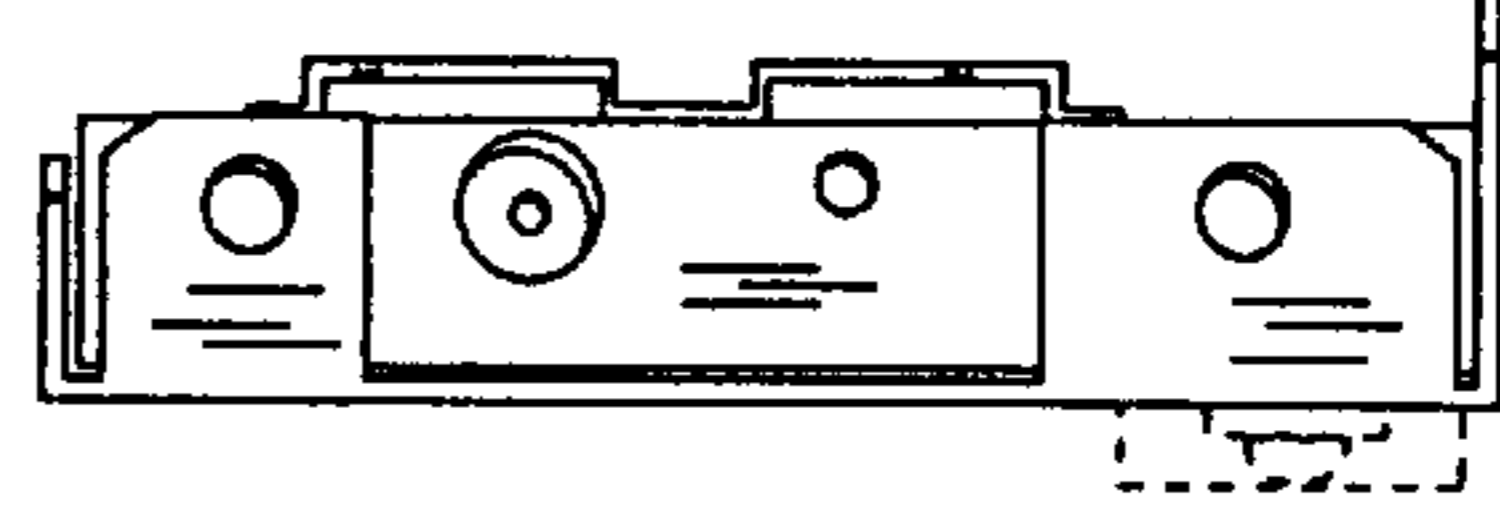


Fig. 10