



US00D433021S

United States Patent [19] Shibata

[11] Patent Number: **Des. 433,021**

[45] Date of Patent: **** Oct. 31, 2000**

[54] **OPERATION CONTROLLER WITH A DISPLAY FOR ELECTRONIC COMPUTERS**

[75] Inventor: **Yuuki Shibata**, Tokyo, Japan

[73] Assignee: **Kabushiki Kaisha Toshiba**, Kawasaki, Japan

[**] Term: **14 Years**

[21] Appl. No.: **29/120,089**

[22] Filed: **Mar. 15, 2000**

Related U.S. Application Data

[62] Division of application No. 29/108,757, Aug. 4, 1999.

[30] Foreign Application Priority Data

Mar. 3, 1999	[JP]	Japan	11-5327
Mar. 3, 1999	[JP]	Japan	11-5328
Mar. 3, 1999	[JP]	Japan	11-5329

[51] **LOC (7) Cl.** **14-02**

[52] **U.S. Cl.** **D14/356; D14/374**

[58] **Field of Search** D14/371, 374, D14/375, 379, 356, 126-129; 341/12; 345/104, 133, 156, 168, 173; 348/180, 184, 325, 739; 349/1, 2, 11, 62

[56] References Cited

U.S. PATENT DOCUMENTS

D. 355,176 2/1995 Maeno et al. .

D. 356,077	3/1995	Harada et al. .	
D. 356,552	3/1995	Maeno et al.	D14/375
D. 391,557	3/1998	Tada et al.	D14/375
D. 394,248	5/1998	Duan	D14/375

FOREIGN PATENT DOCUMENTS

829477	2/1992	Japan .
863348	3/1993	Japan .
974149	2/1997	Japan .
1003543	2/1998	Japan .

Primary Examiner—Freda Nunn
Attorney, Agent, or Firm—Banner & Witcoff, Ltd.

[57] CLAIM

The ornamental design for an operation controller with a display for electronic computers, as shown and described.

DESCRIPTION

FIG. 1 is a top, front and left side perspective view of an operation controller with a display for electronic computers showing my new design;

FIG. 2 is a front elevational view thereof;

FIG. 3 is a right side elevational view thereof;

FIG. 4 is a left side elevational view thereof;

FIG. 5 is a rear elevational view thereof;

FIG. 6 is a top plan view thereof;

FIG. 7 is a bottom plan view thereof; and,

FIG. 8 is a top, front and left side perspective view showing the controller with the tray being pulled out.

1 Claim, 4 Drawing Sheets

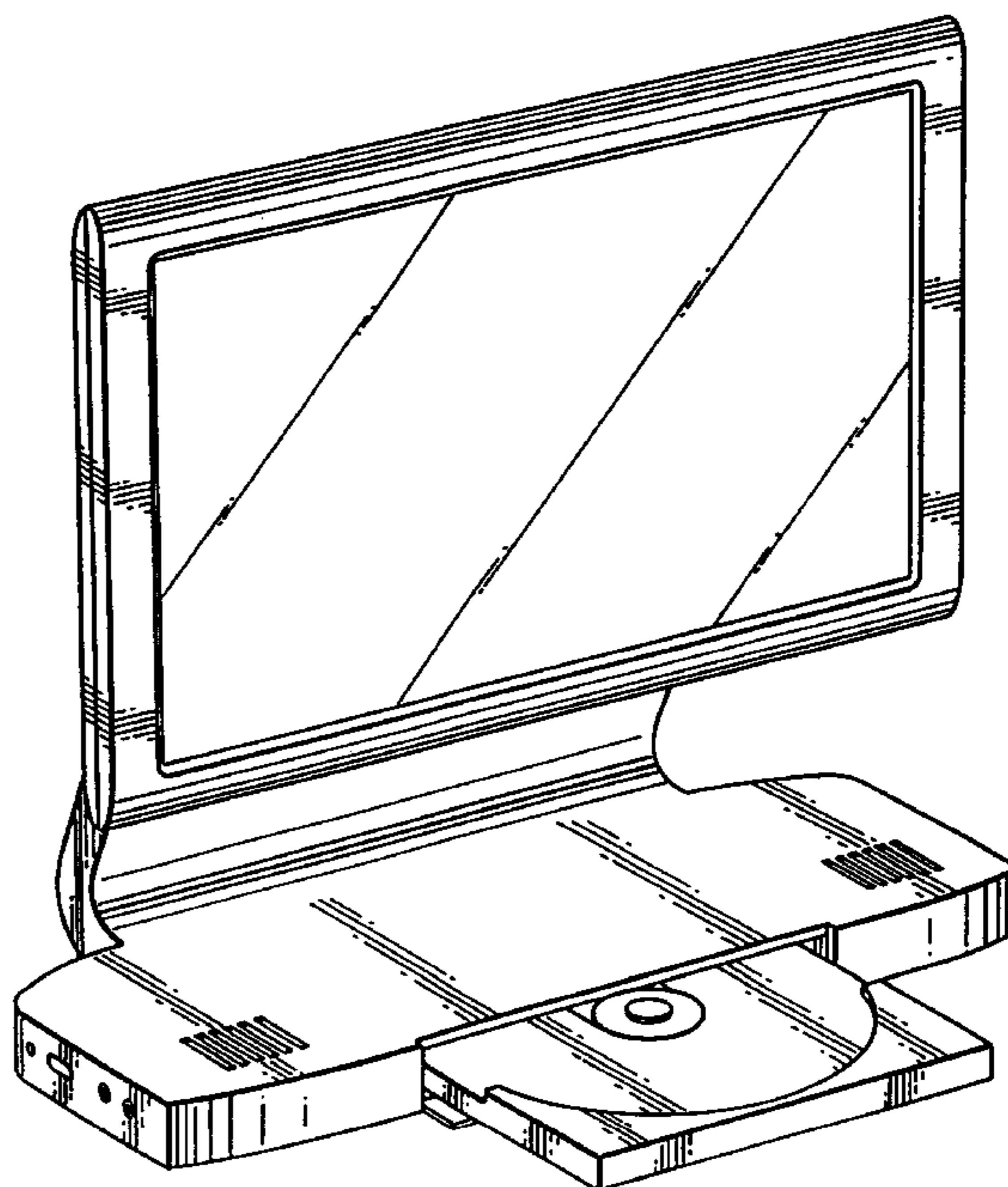
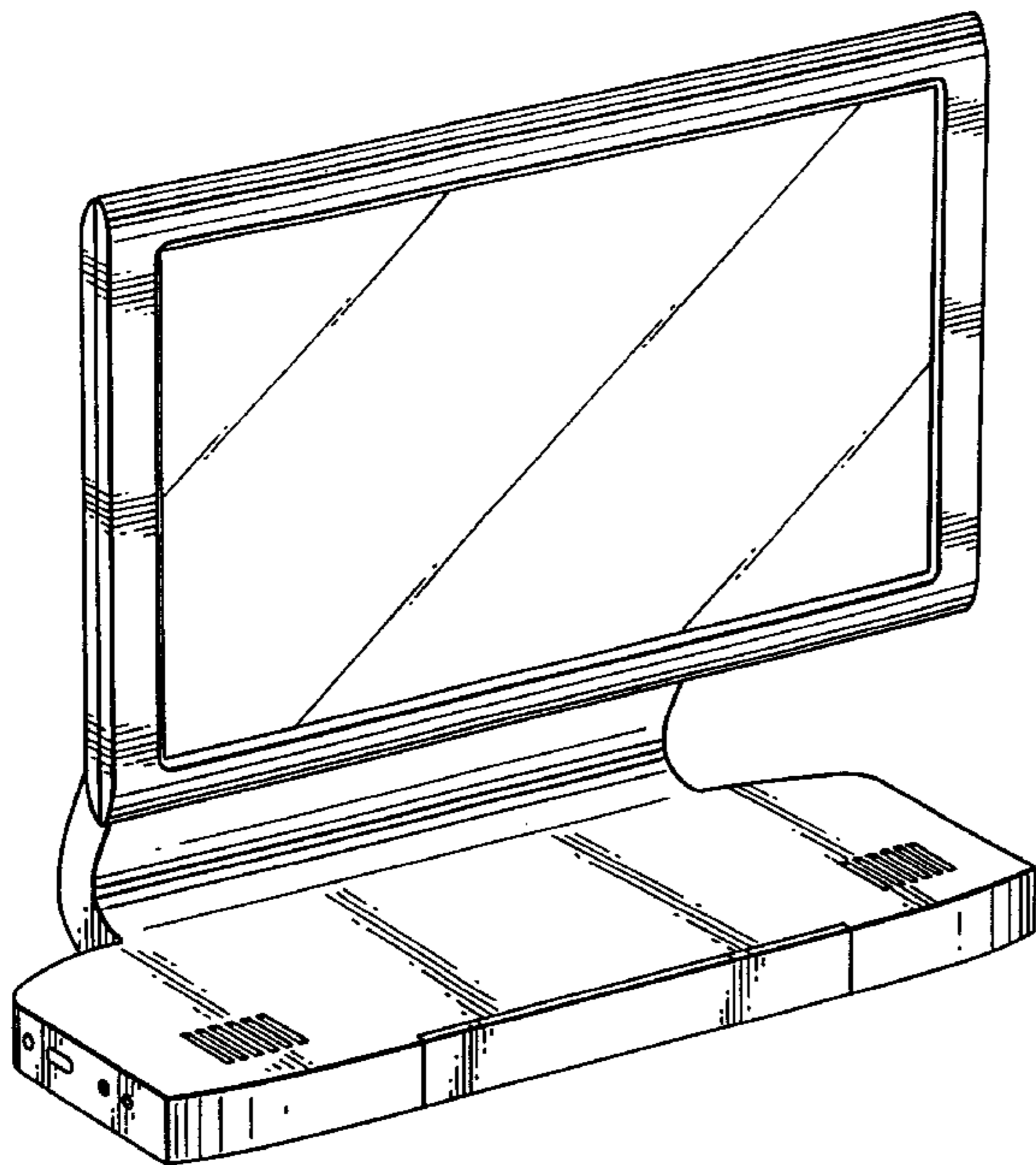


FIG. 1

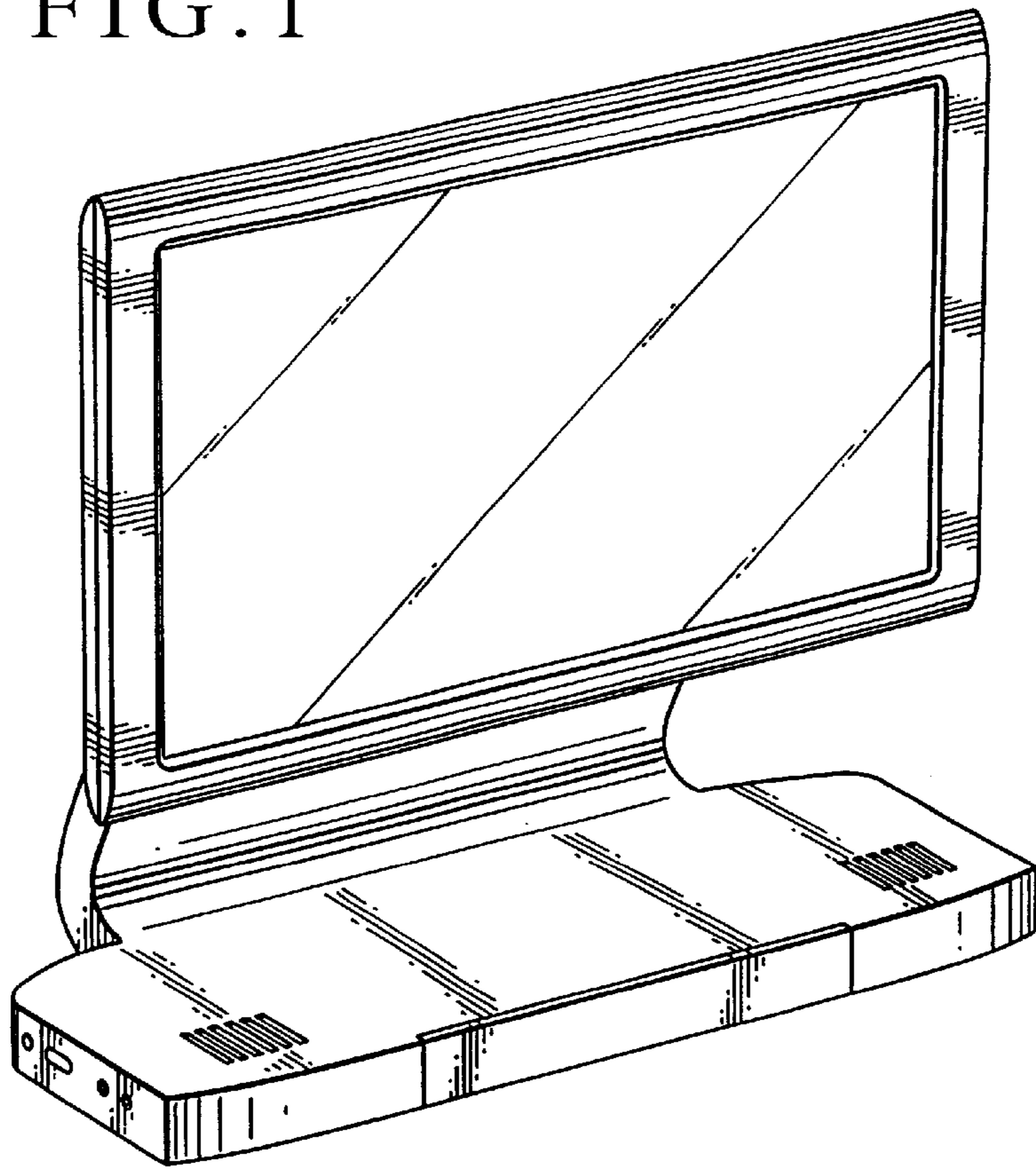


FIG. 2

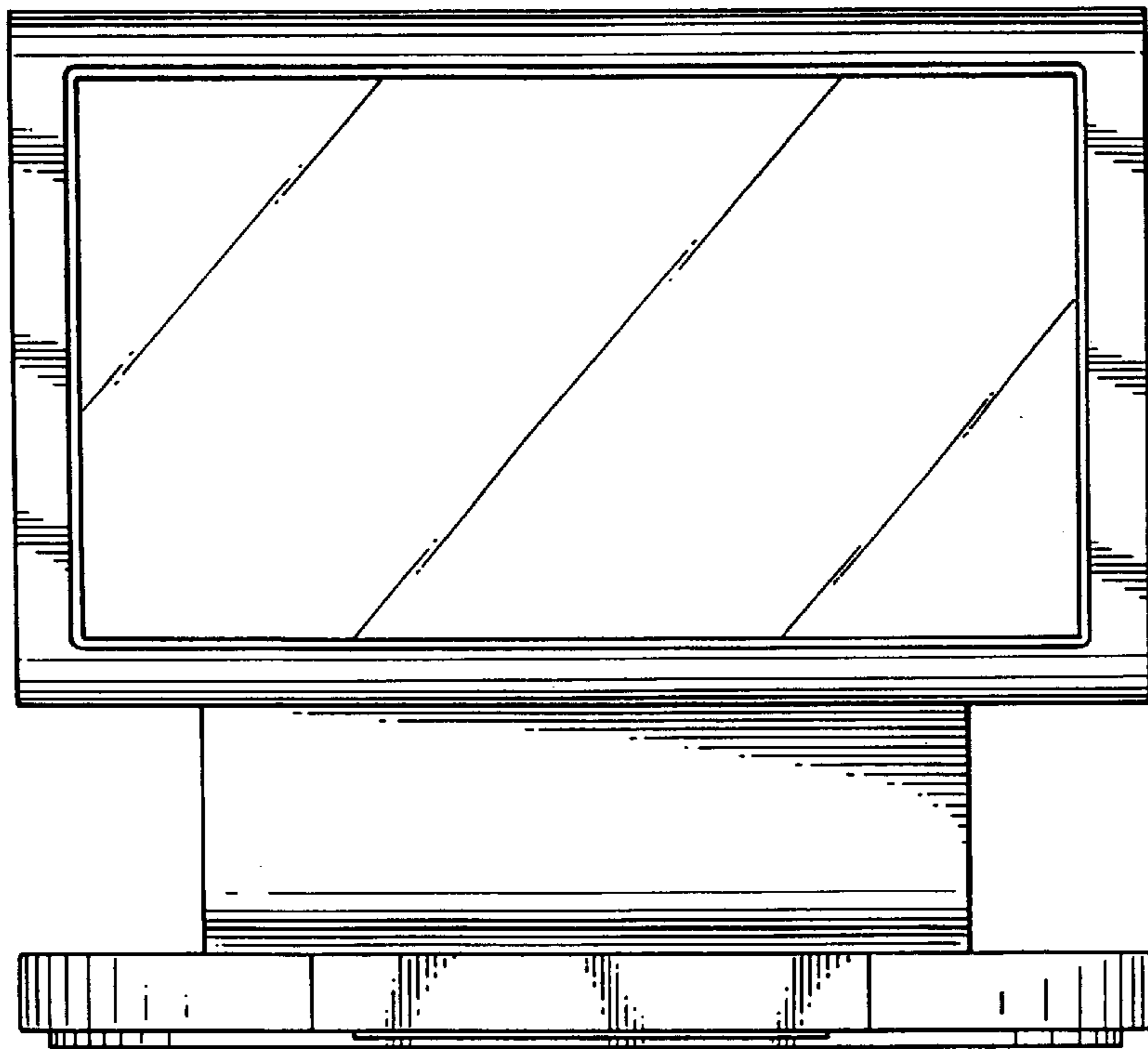


FIG. 3

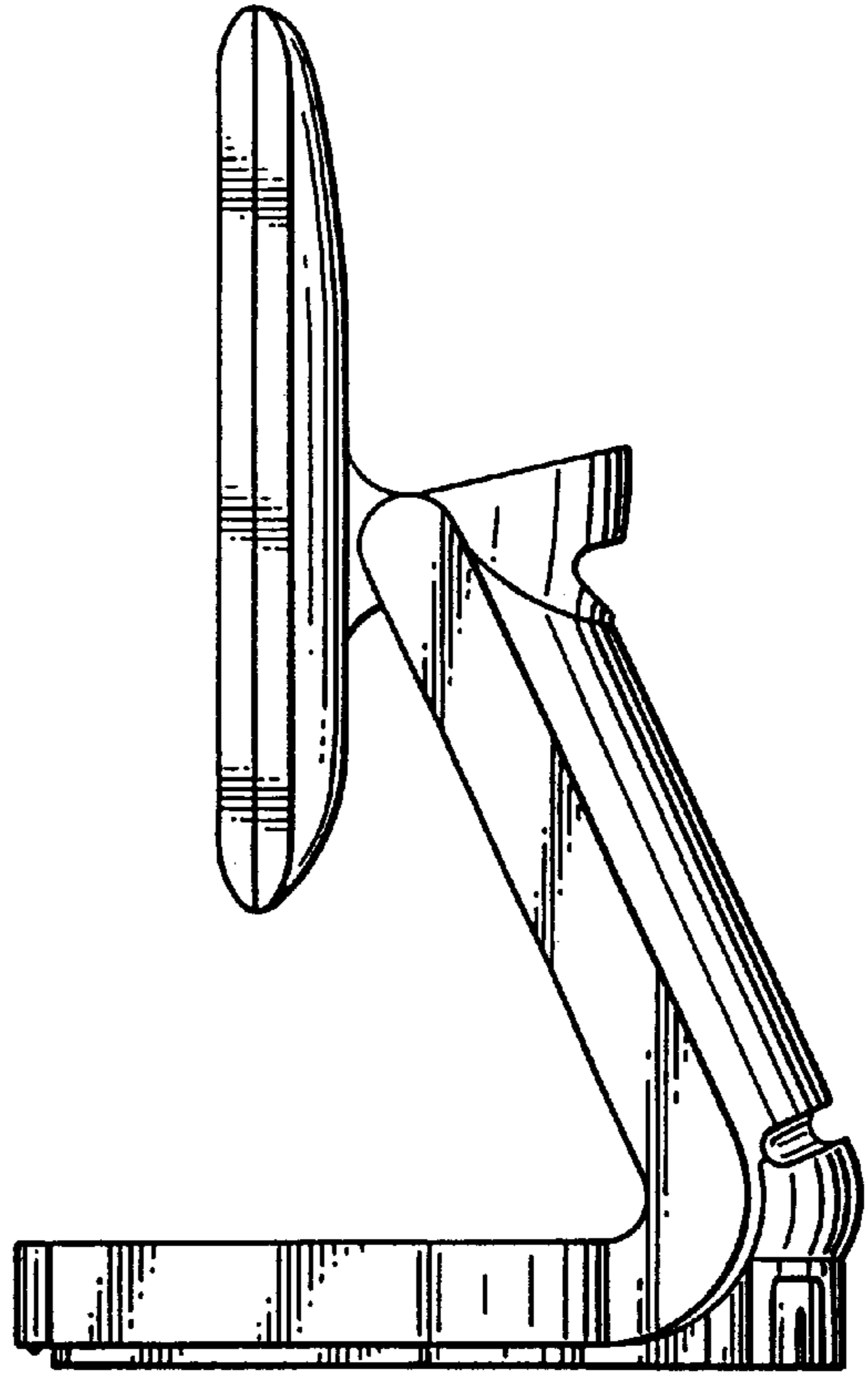


FIG. 4

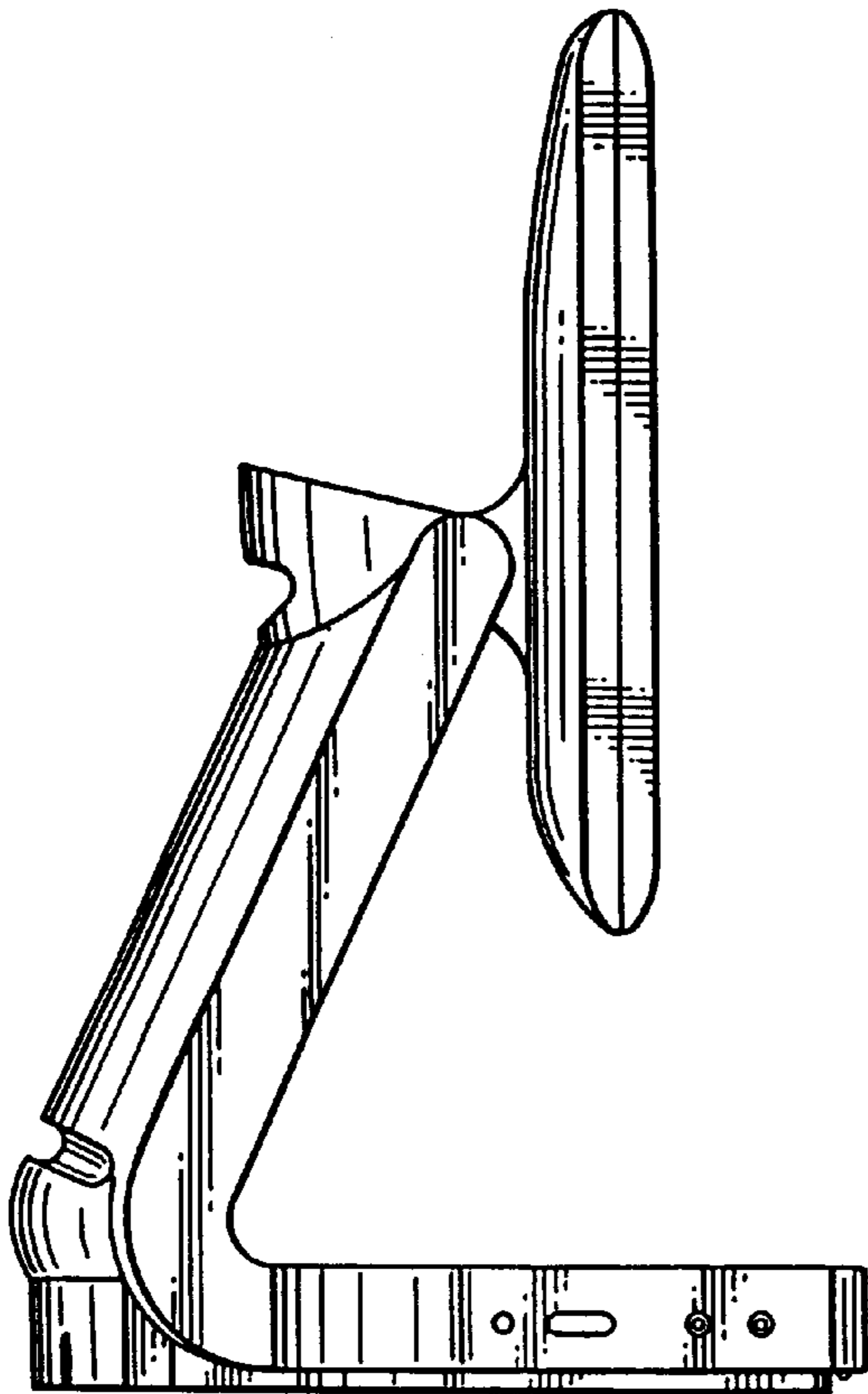


FIG. 5

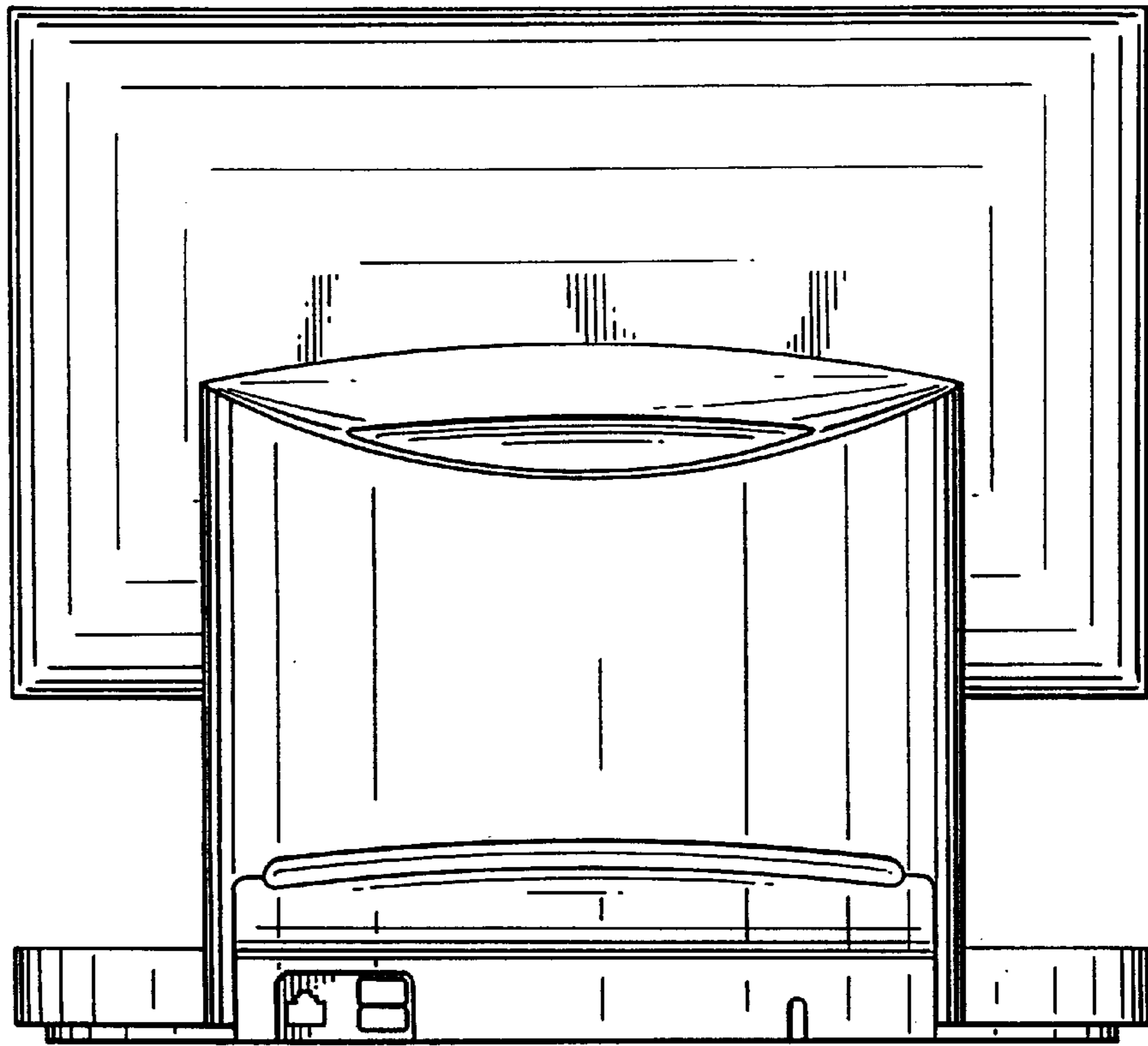


FIG. 6

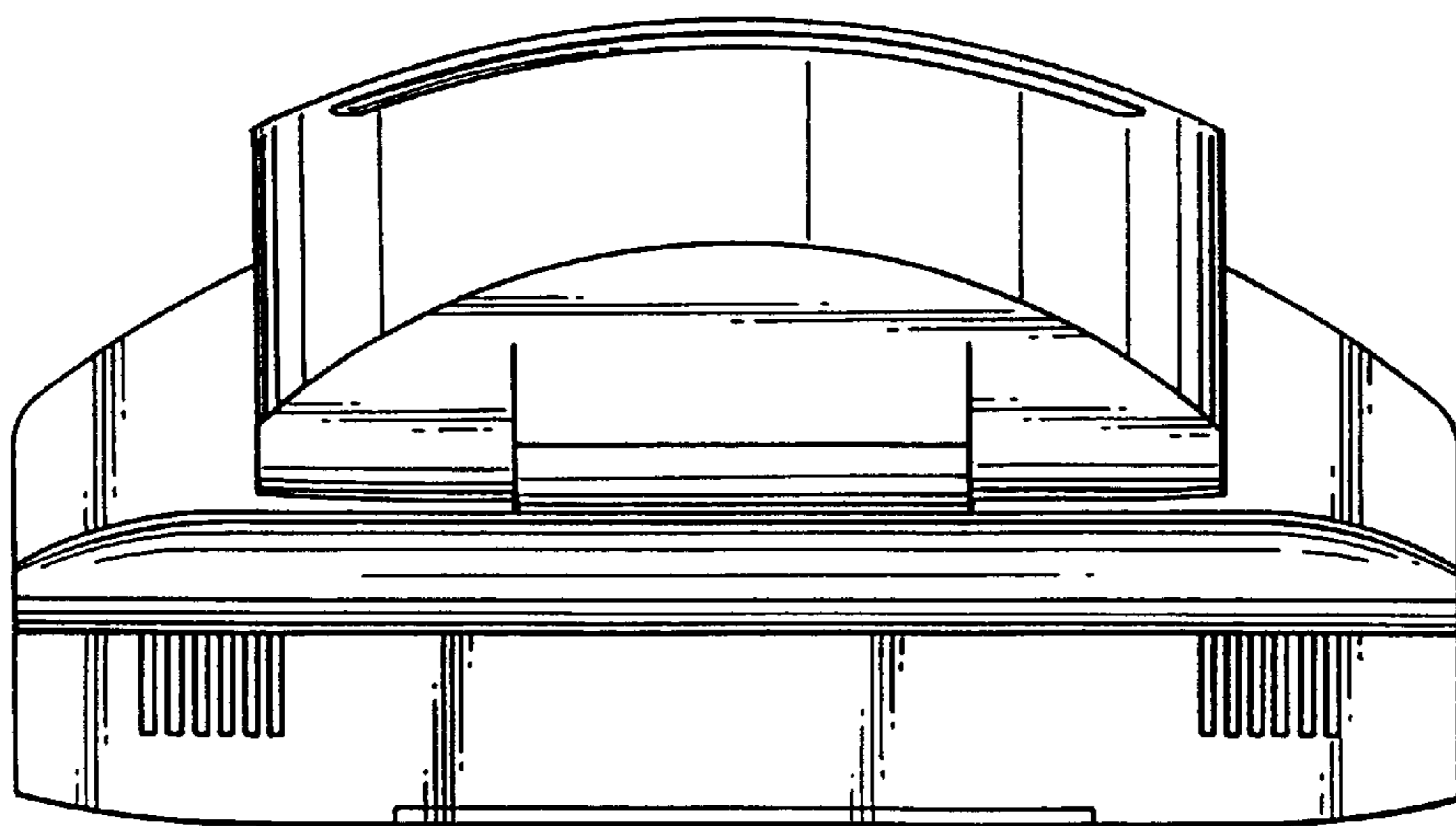


FIG. 7

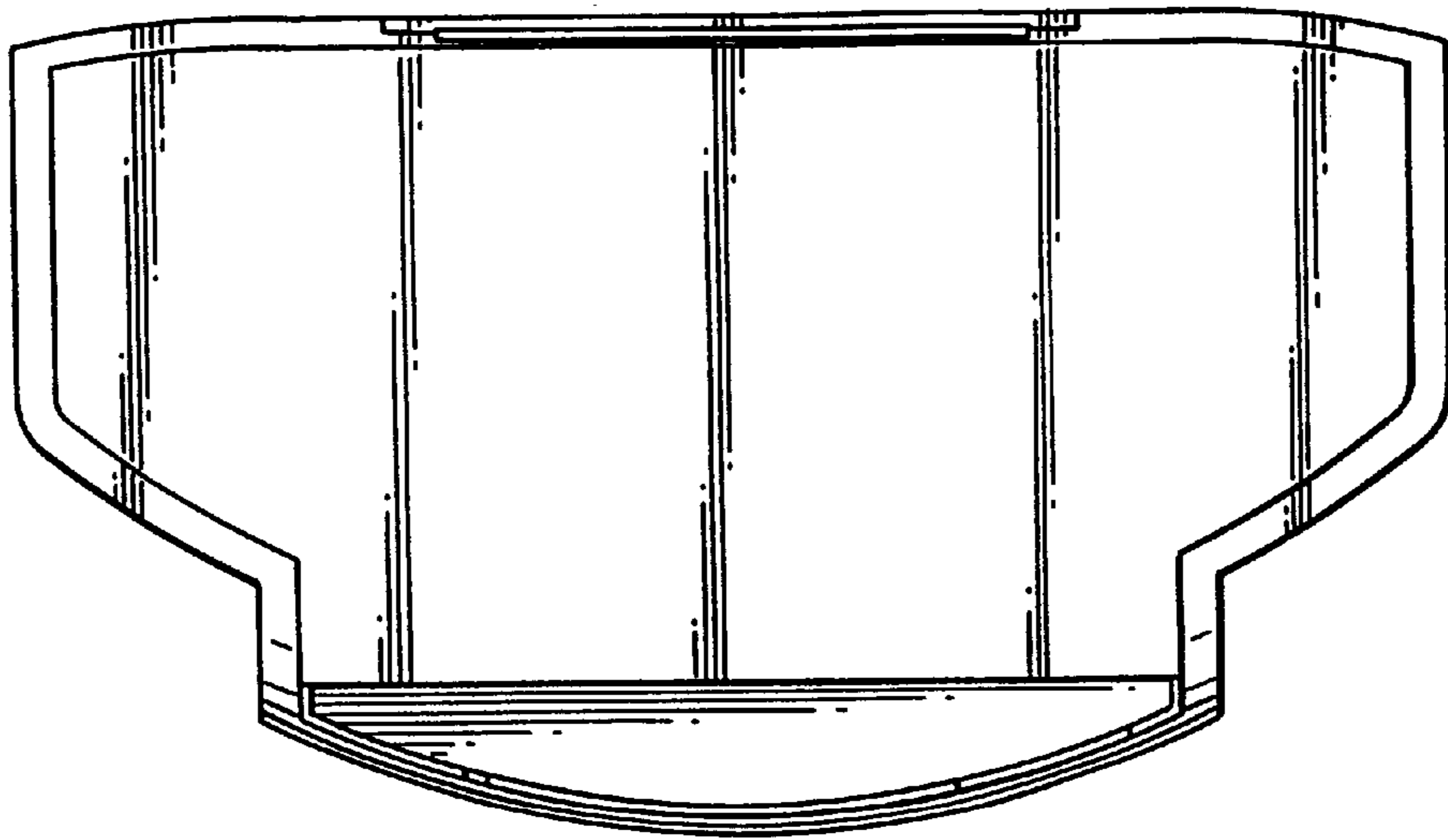


FIG. 8

