



US00D433015S

United States Patent [19]
Mochizuki

[11] **Patent Number: Des. 433,015**

[45] **Date of Patent: ** Oct. 31, 2000**

[54] **PICKUP FOR AN OPTICAL DISC PLAYER**

[75] Inventor: **Tsutomu Mochizuki**, Tokyo, Japan

[73] Assignee: **Sony Corporation**, Japan

[**] Term: **14 Years**

[21] Appl. No.: **29/093,950**

[22] Filed: **Sep. 22, 1998**

Related U.S. Application Data

[63] Continuation of application No. 29/063,365, Dec. 6, 1996, abandoned.

[30] **Foreign Application Priority Data**

Jun. 7, 1996 [JP] Japan 8-16546

[51] **LOC (7) Cl.** **14-03**

[52] **U.S. Cl.** **D14/239**

[58] **Field of Search** D14/217, 239,
D14/260; 369/44.14-44.24

[56] **References Cited**

U.S. PATENT DOCUMENTS

- D. 278,428 4/1985 Tsuchihashi et al. D14/1
- D. 288,558 3/1987 Takemura et al. D14/1
- D. 385,883 11/1997 Takashina et al. D14/217
- D. 389,150 1/1998 Tanaka D14/217
- 4,727,529 2/1988 Araki et al. 369/44.23 X
- 5,402,407 3/1995 Eguchi et al. 369/112

5,495,461 2/1996 Komma et al. 369/103

Primary Examiner—Richelle Shelton
Attorney, Agent, or Firm—Rader, Fishman&Grauer

[57] **CLAIM**

The ornamental design for a pickup for an optical disc player, as shown and described.

DESCRIPTION

FIG. 1 is a perspective view of a first embodiment of a pickup for an optical disc player showing my new design; FIG. 2 is a top plan view thereof; FIG. 3 is a front elevational view thereof; FIG. 4 is a right side elevational view thereof; FIG. 5 is a bottom plan view thereof; FIG. 6 is a rear elevational view thereof; FIG. 7 is a left side elevational view thereof; FIG. 8 is a perspective view of a second embodiment of a pickup for an optical disc player showing my new design; FIG. 9 is a top plan view thereof; FIG. 10 is a front elevational view of the embodiment of FIG. 8; FIG. 11 is a right side elevational view of the embodiment of FIG. 8; FIG. 12 is a bottom plan view of the embodiment of FIG. 8; FIG. 13 is a rear elevational view of the embodiment of FIG. 8; and, FIG. 14 is a left side elevational view of the embodiment of FIG. 8.

1 Claim, 8 Drawing Sheets

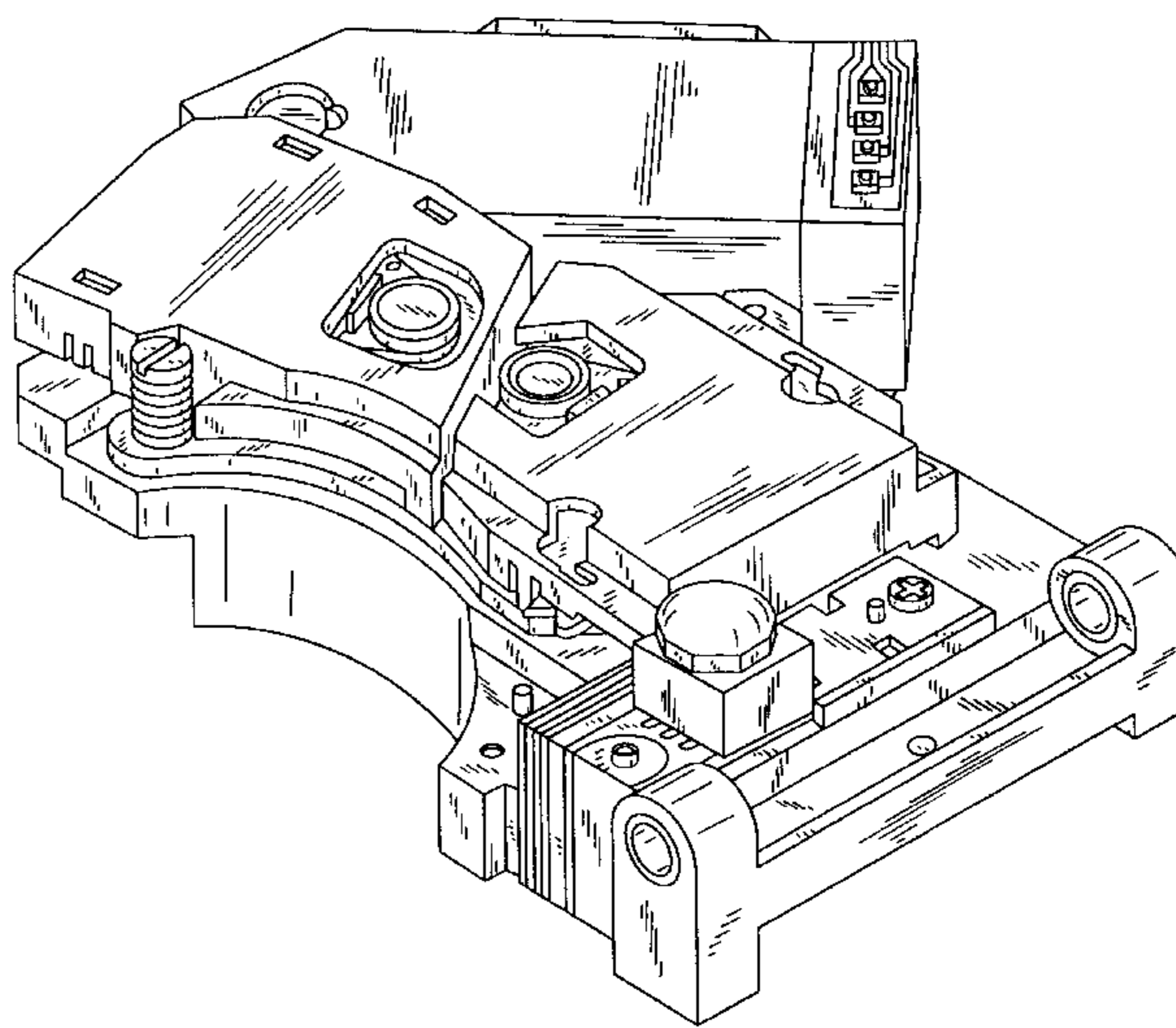
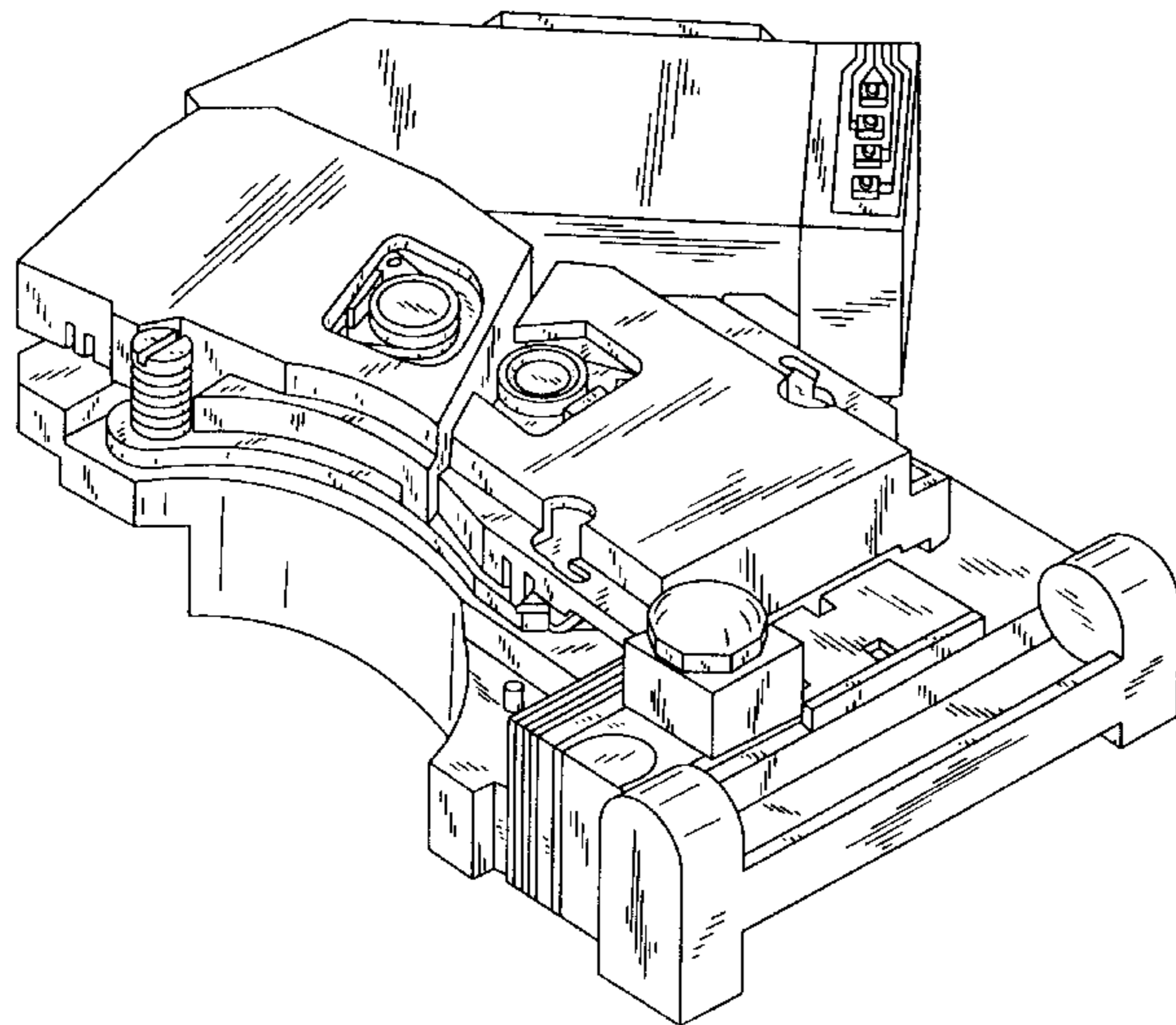


FIG. 1

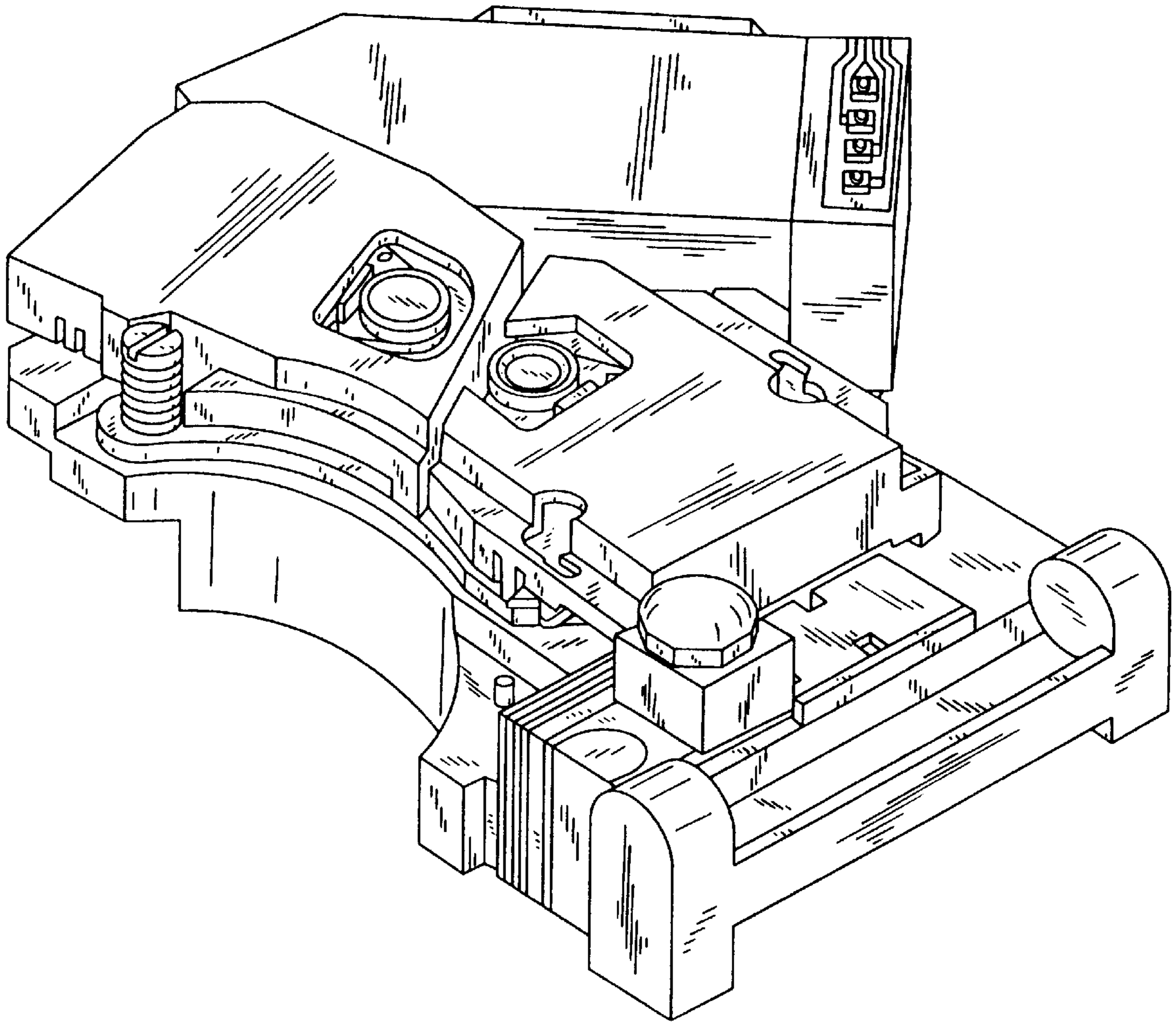


FIG. 2

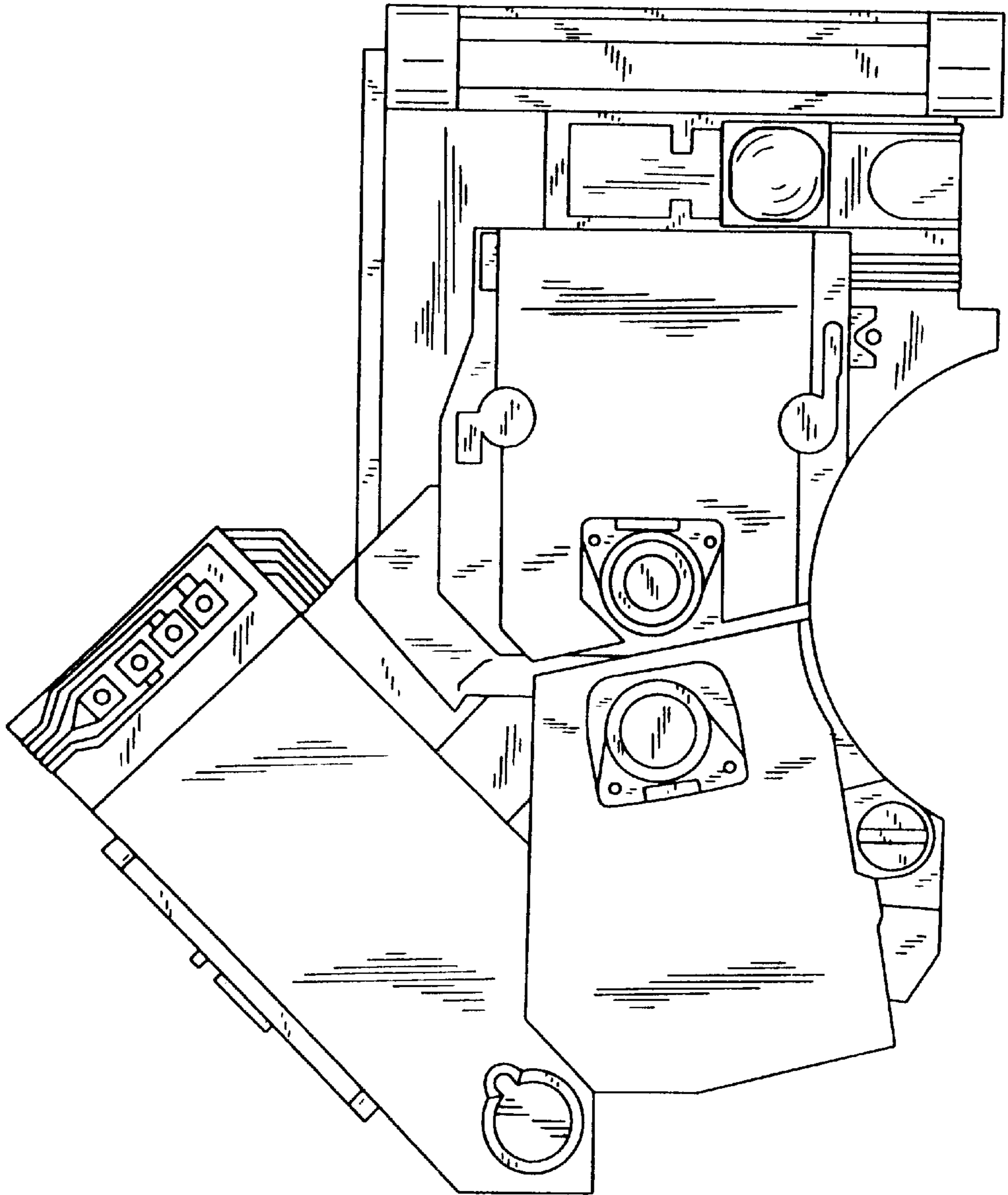


FIG. 3

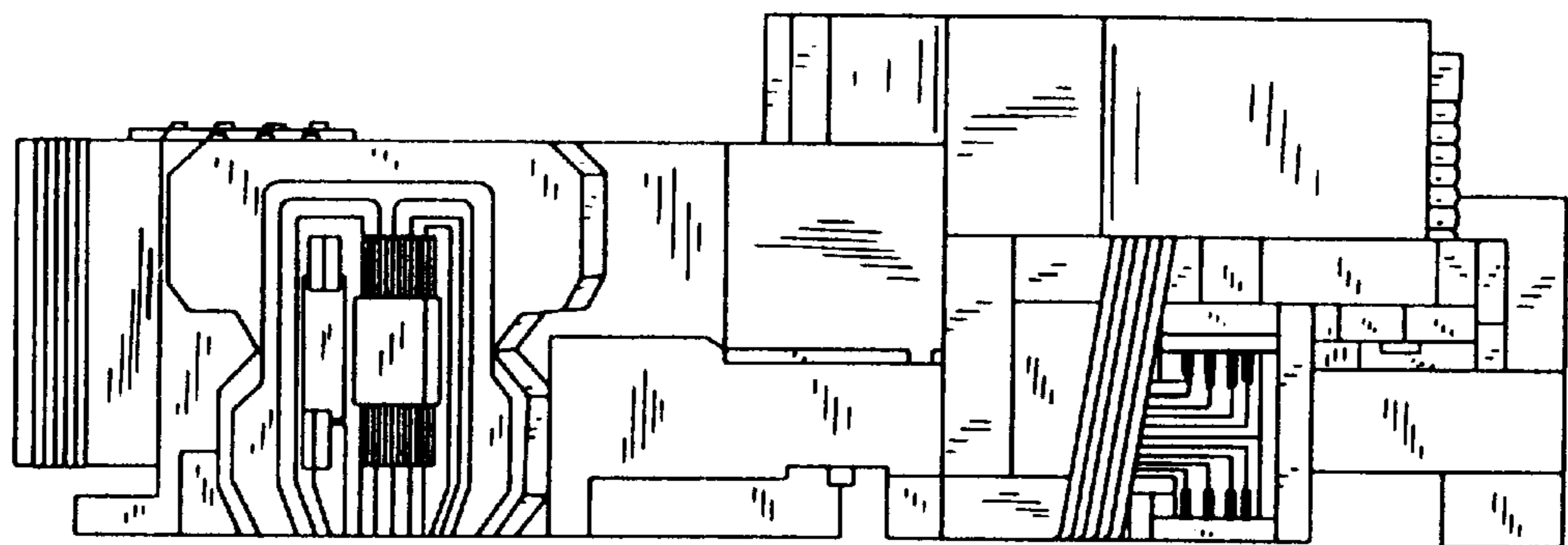


FIG. 4

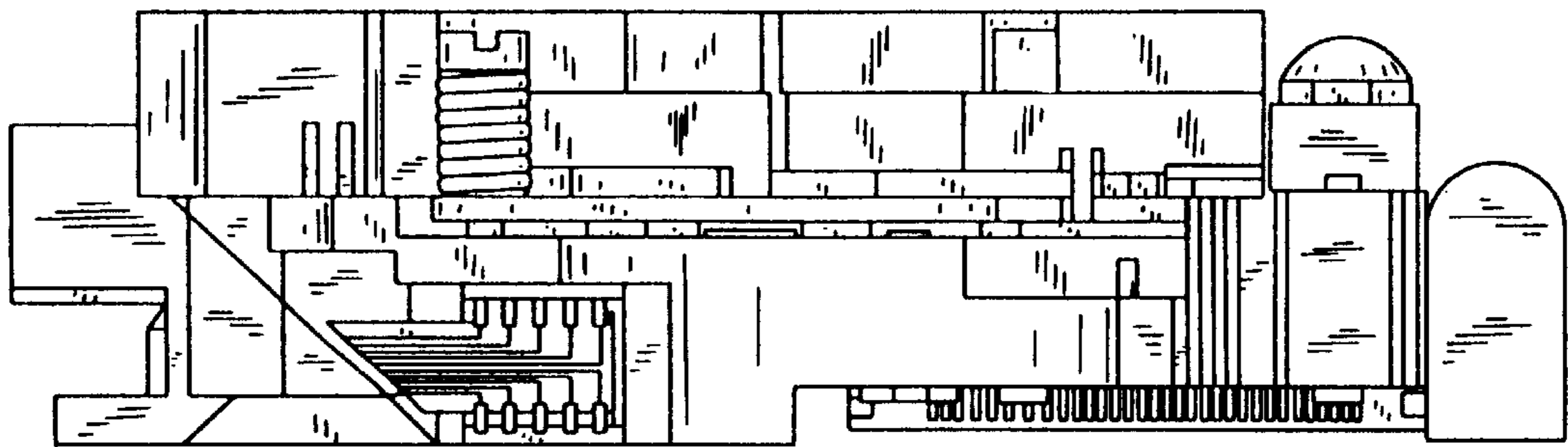


FIG. 5

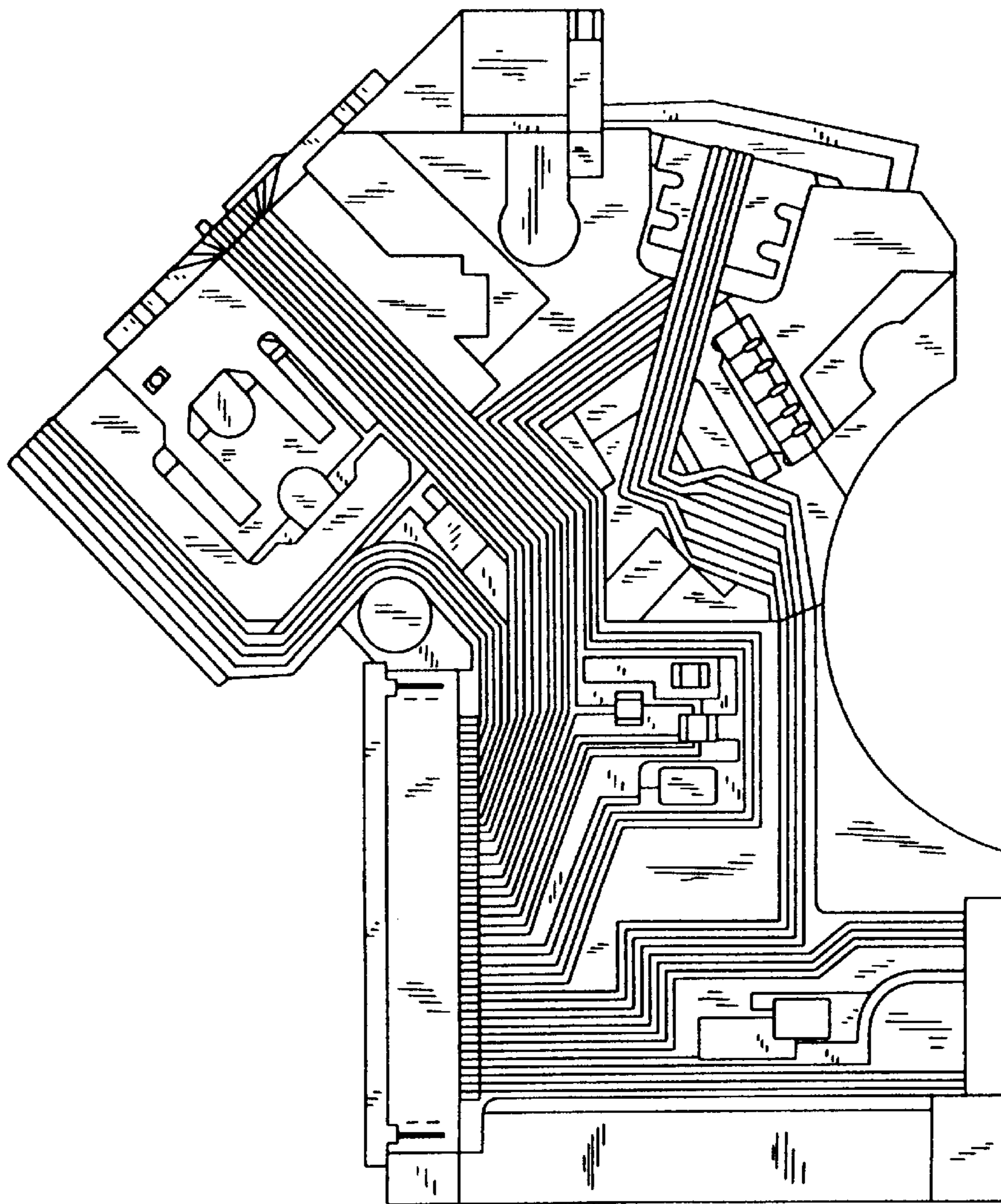


FIG. 6

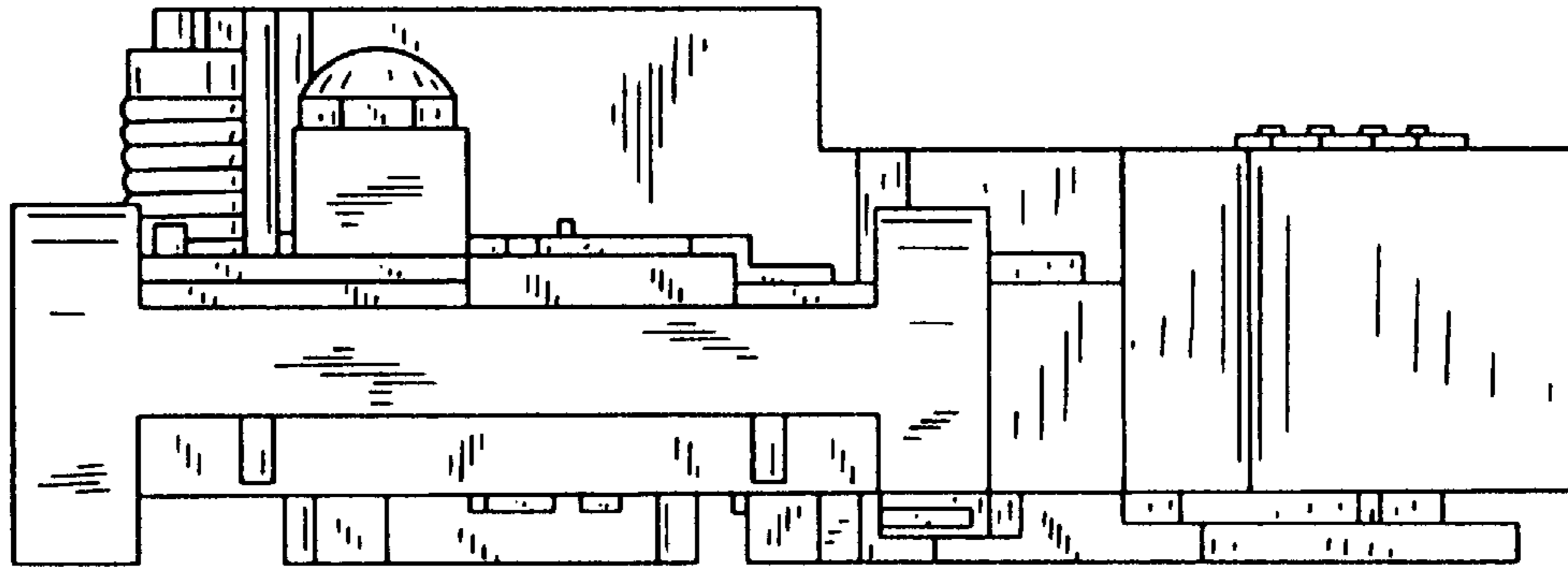


FIG. 7

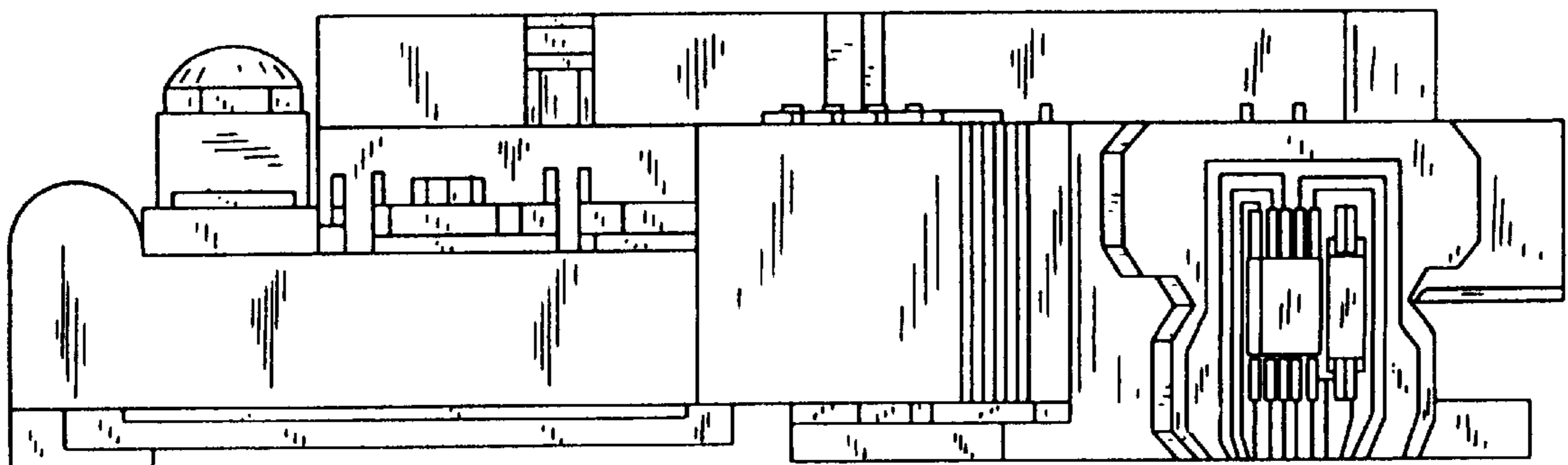


FIG. 8

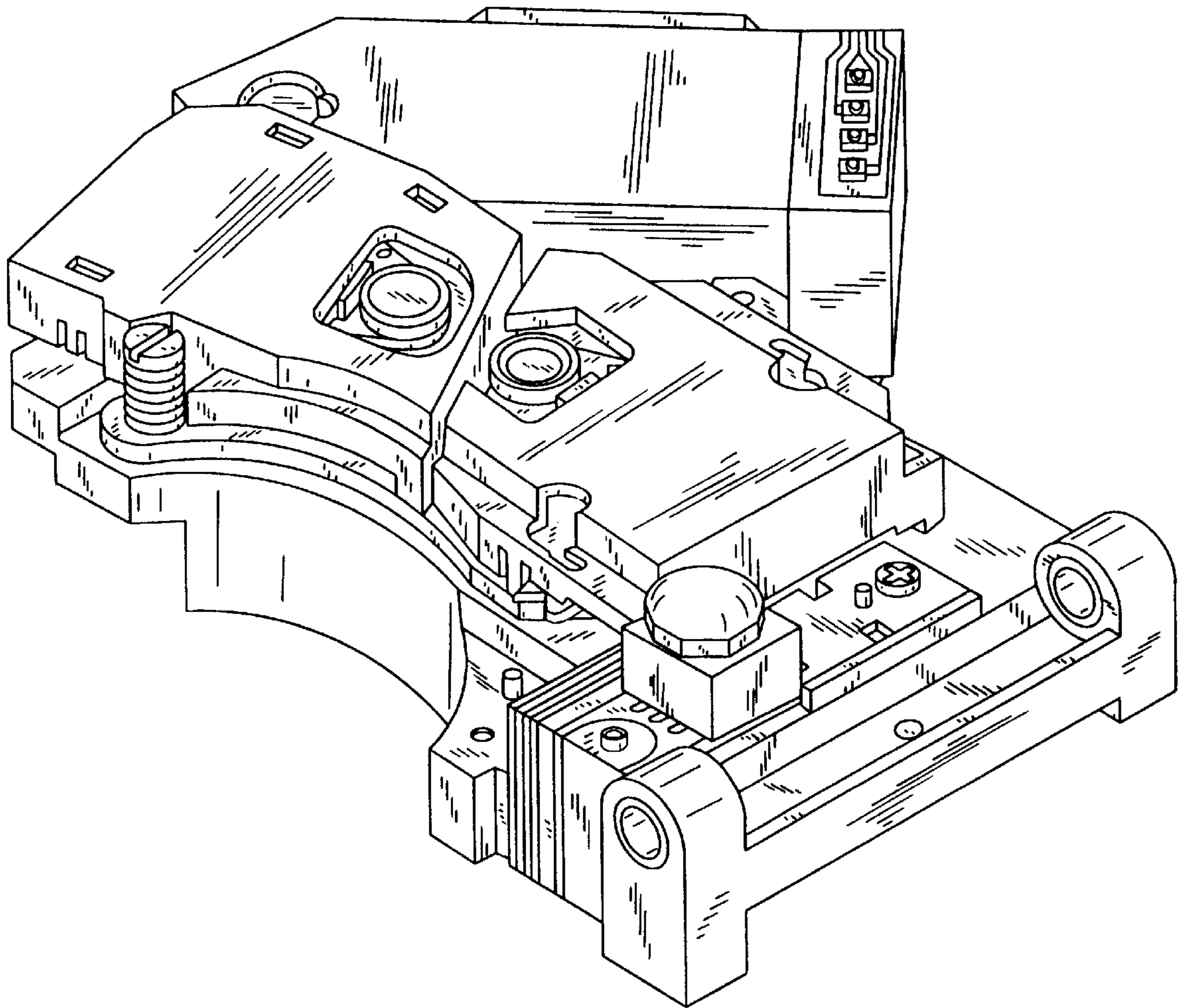


FIG. 9

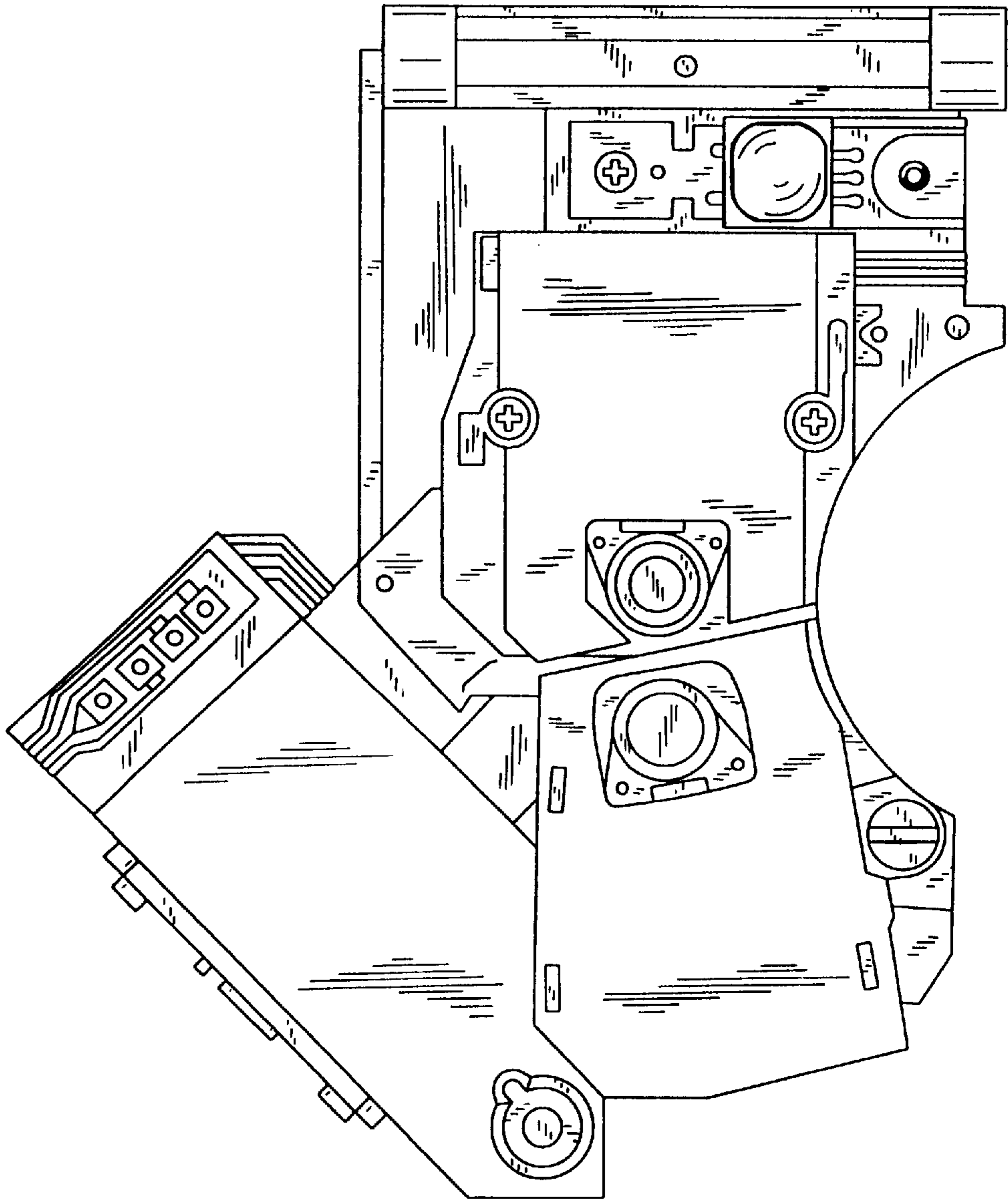


FIG. 10

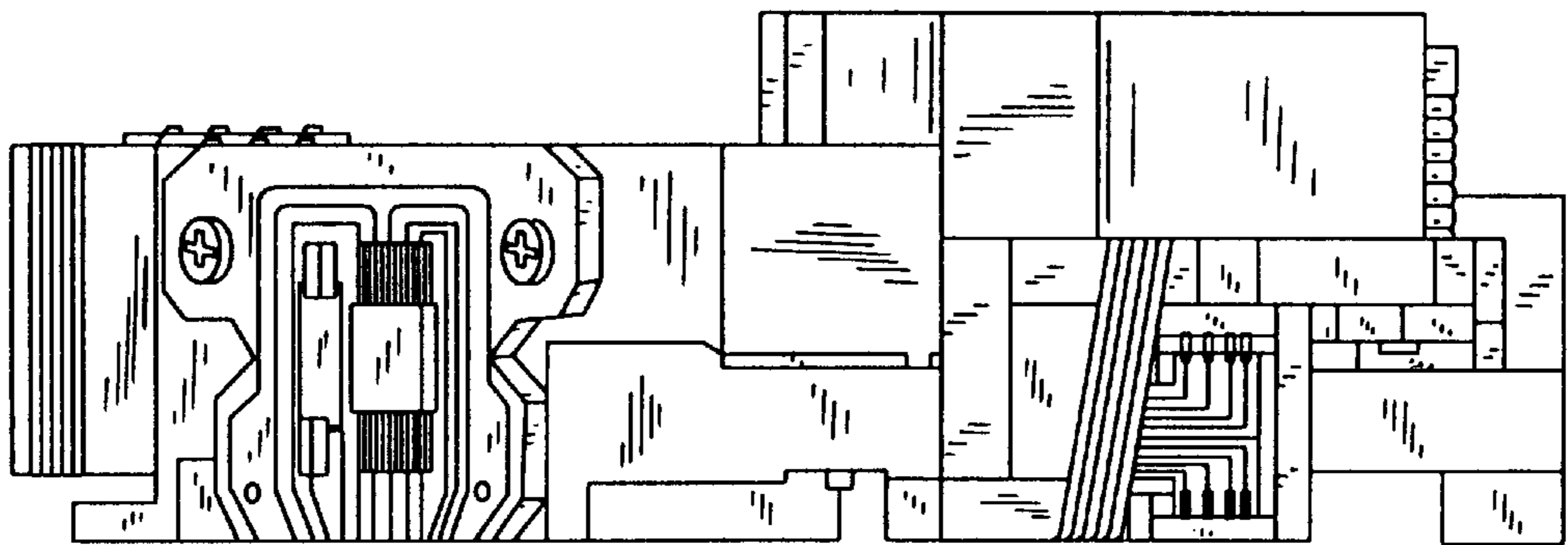


FIG. 11

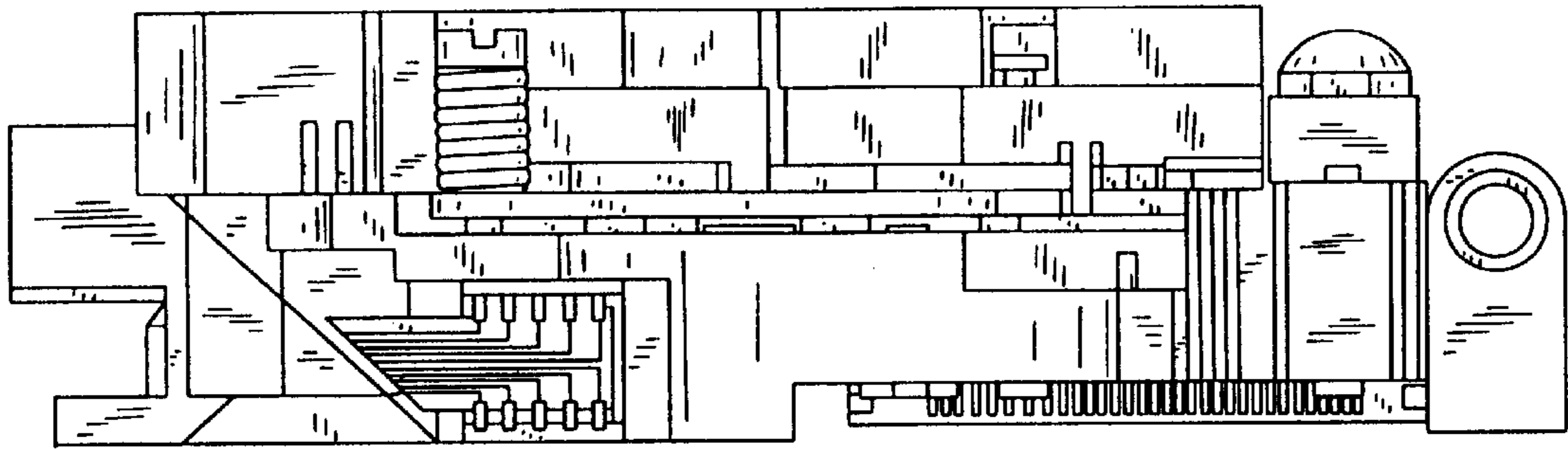


FIG. 12

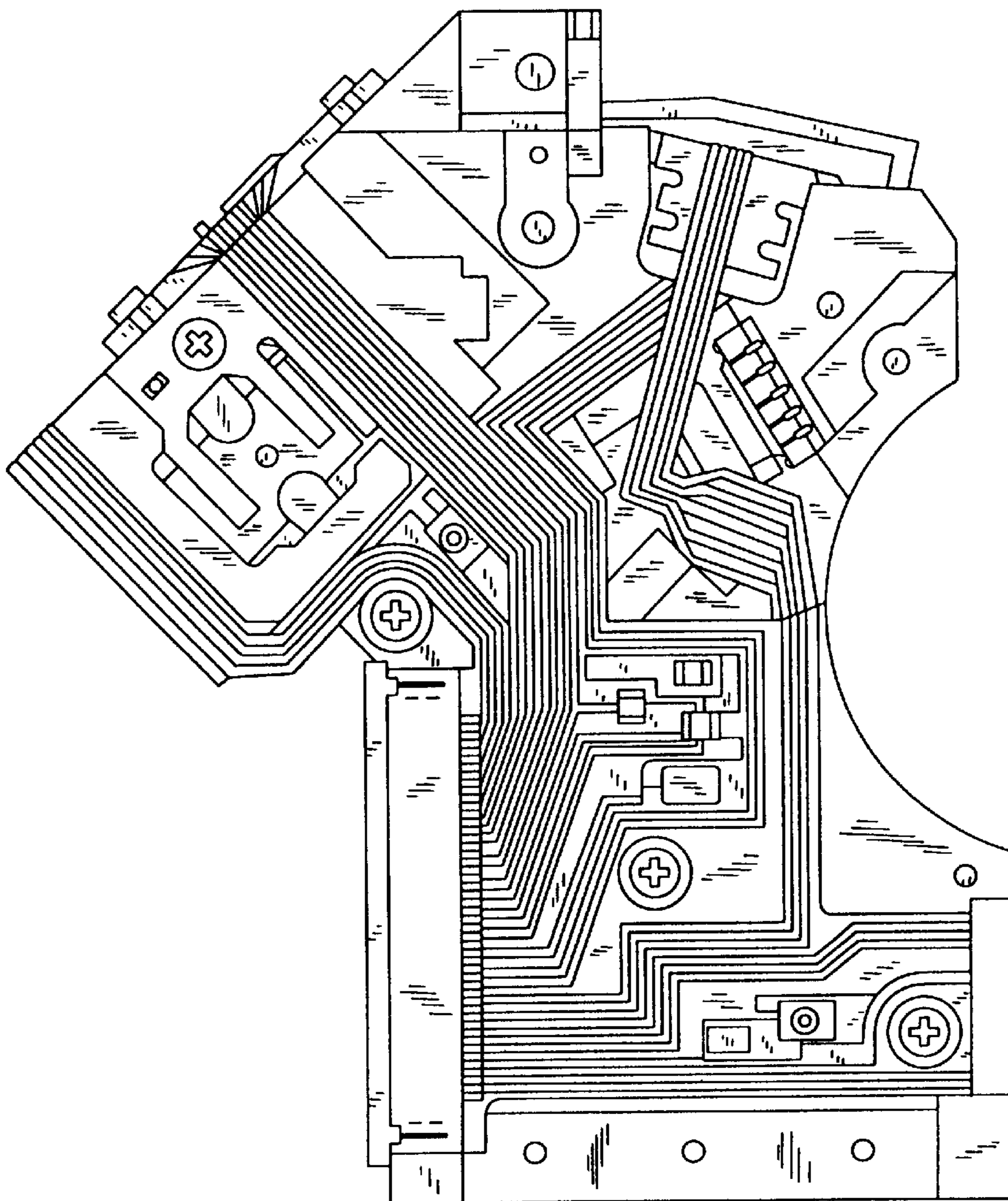


FIG. 13

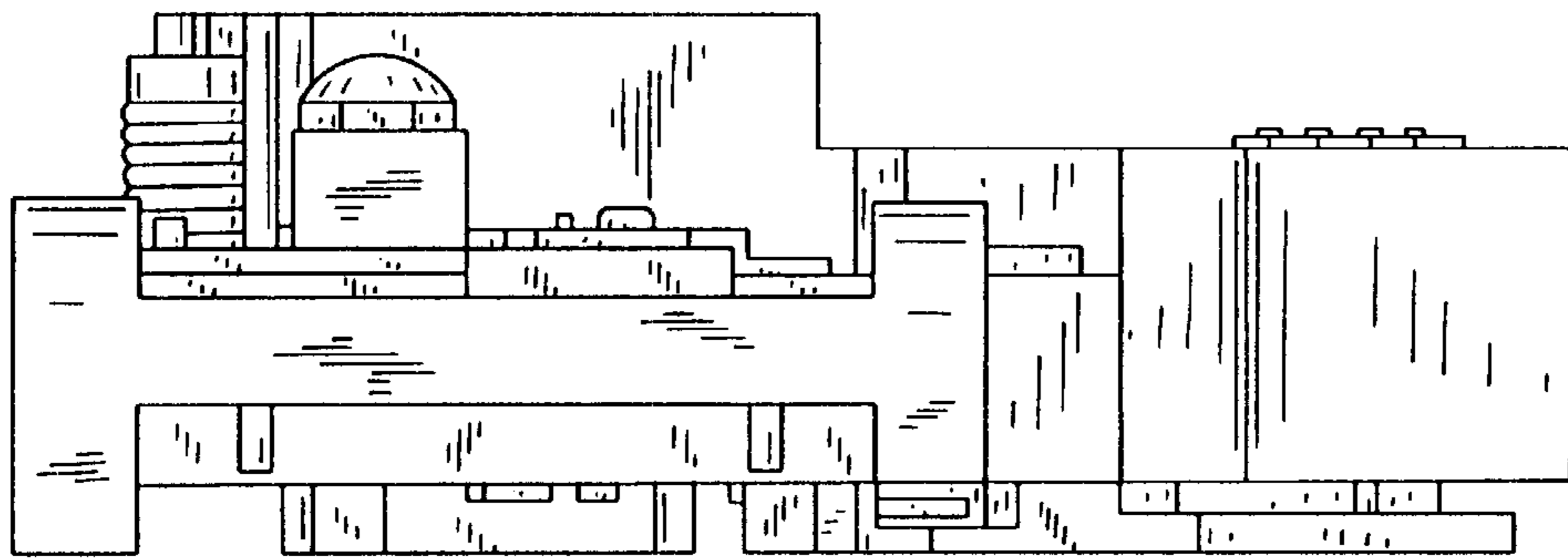


FIG. 14

