



US00D433014S

United States Patent [19]

Rogers

[11] Patent Number: Des. 433,014

[45] Date of Patent: ** Oct. 31, 2000

[54] **COMBINED SATELLITE DISH AND ROTATOR**

[75] Inventor: **John Stephen Rogers**, Red Deer, Canada

[73] Assignee: **RV SAT INC**, Red Deer, Canada

[**] Term: **14 Years**

[21] Appl. No.: **29/102,368**

[22] Filed: **Mar. 23, 1999**

[30] **Foreign Application Priority Data**

Sep. 25, 1998 [CA] Canada 1998-2353

[51] **LOC (7) Cl.** **14-03**

[52] **U.S. Cl.** **D14/231; D14/230; D14/238; D14/237**

[58] **Field of Search** **D14/230-238; 343/702, 833, 712, 872, 908, 878, 840, 725, 870, 805, 726, 786, 823, 795, 713, 708, 882, 714, 916**

[56] **References Cited**

U.S. PATENT DOCUMENTS

- D. 389,155 1/1998 Inoue D14/231
- D. 411,541 6/1999 Waldron D14/238
- 4,873,526 10/1989 Katsuo 343/713

- 5,646,638 7/1997 Weingard et al. 343/882
- 5,929,817 7/1999 Clark 343/713

Primary Examiner—Louis S. Zarfaz
Assistant Examiner—Greg Andoll
Attorney, Agent, or Firm—Weldon F. Green

[57] **CLAIM**

An ornamental design for a combined satellite dish and rotator, as shown.

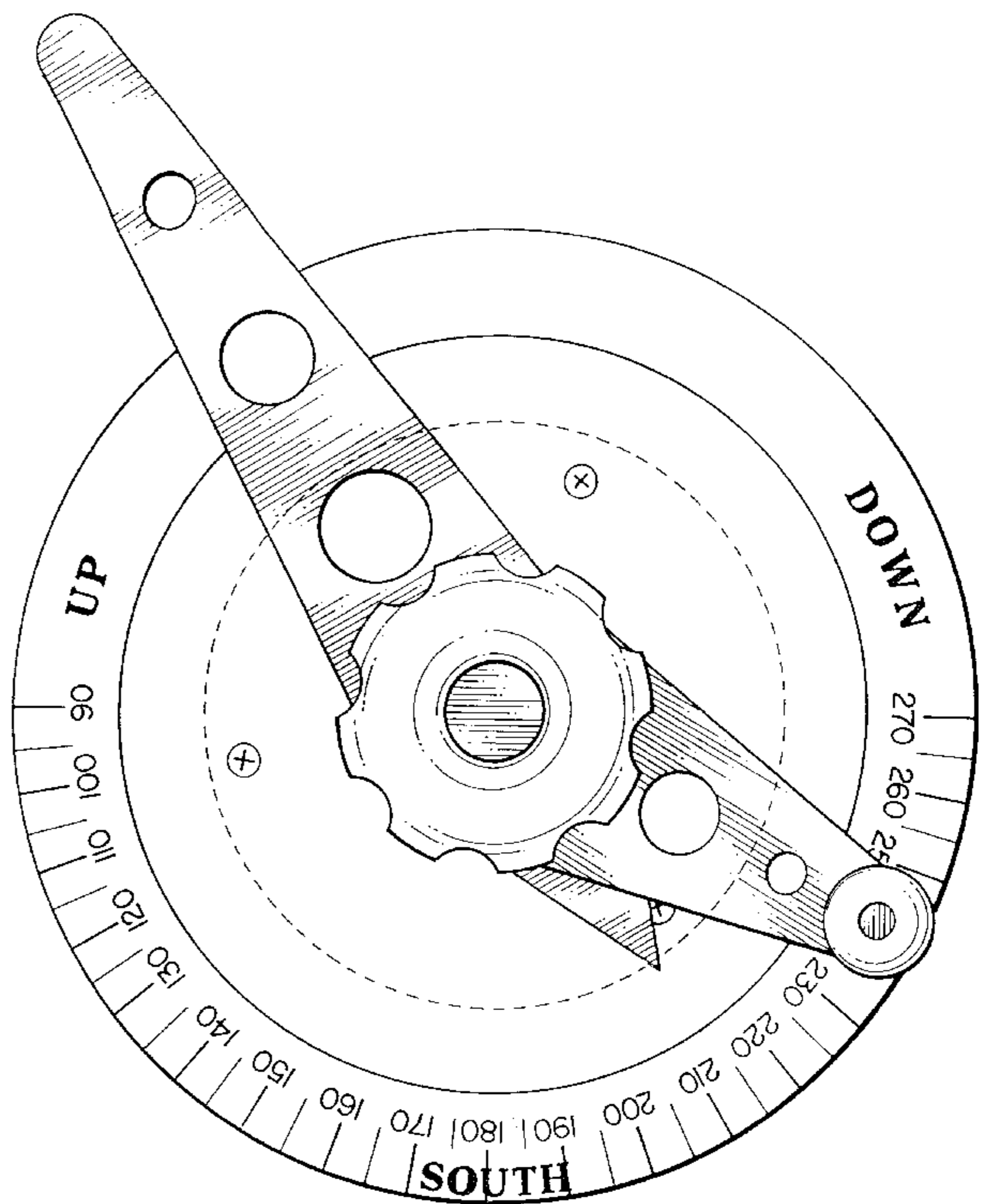
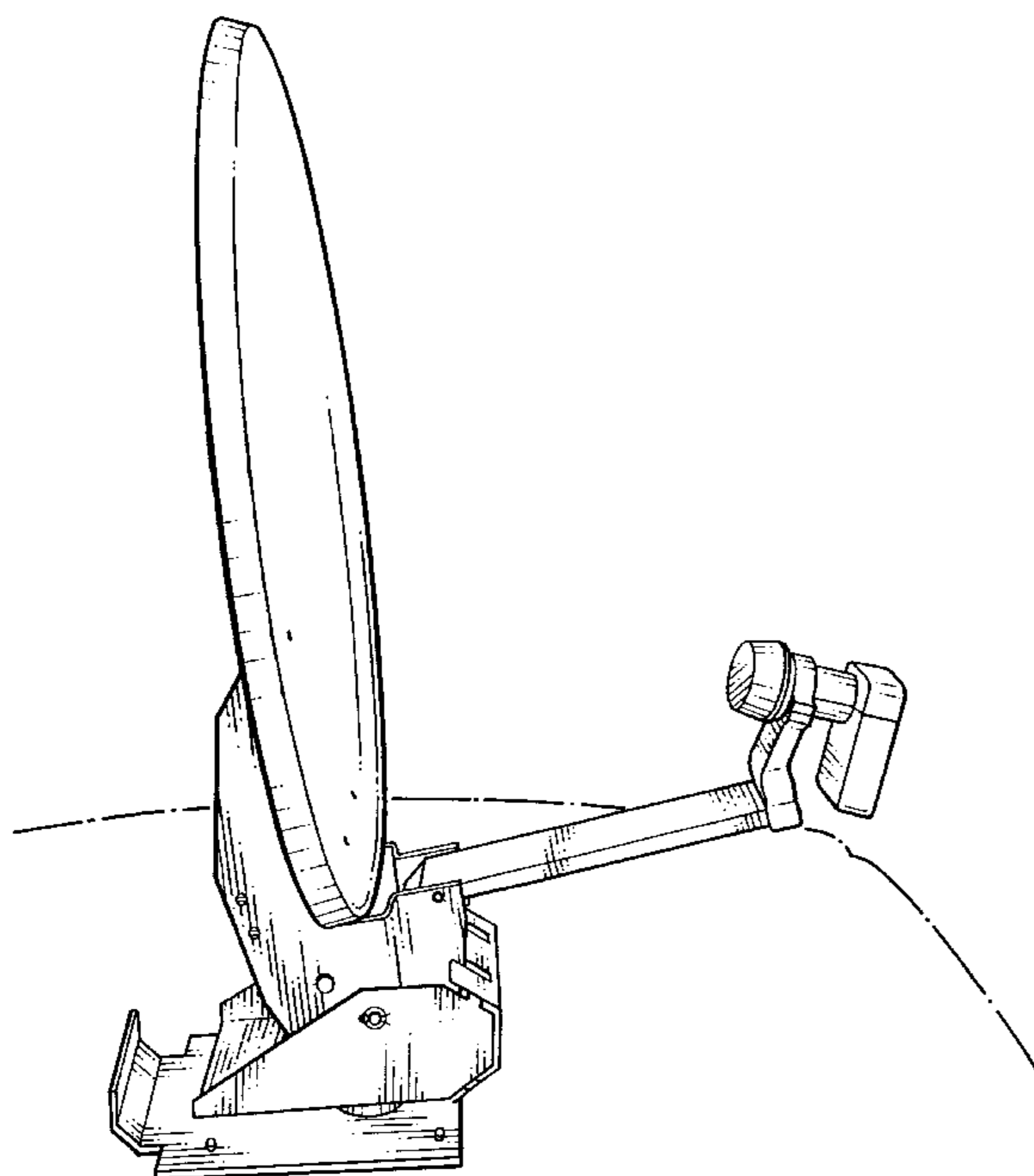
DESCRIPTION

FIG. 1 is a perspective view of the satellite portion of the combined satellite dish and rotator, showing my new design; FIG. 2 is a right side elevational view thereof; FIG. 3 is a left side elevational view thereof; FIG. 4 is a front elevational view thereof; FIG. 5 is a rear elevational view thereof; FIG. 6 is a top plan view thereof; FIG. 7 is a bottom plan view thereof; FIG. 8 is a right side elevational view thereof in the collapsed position; and, FIG. 9 is a bottom view of the rotator portion of the combined satellite dish and rotator.

The broken lines in FIGS. 1 and 9 are for illustrative purposes only, and form no part of the claimed design.

The surfaces of the combined satellite dish and rotator that are not shown form no part of the claimed design.

1 Claim, 9 Drawing Sheets



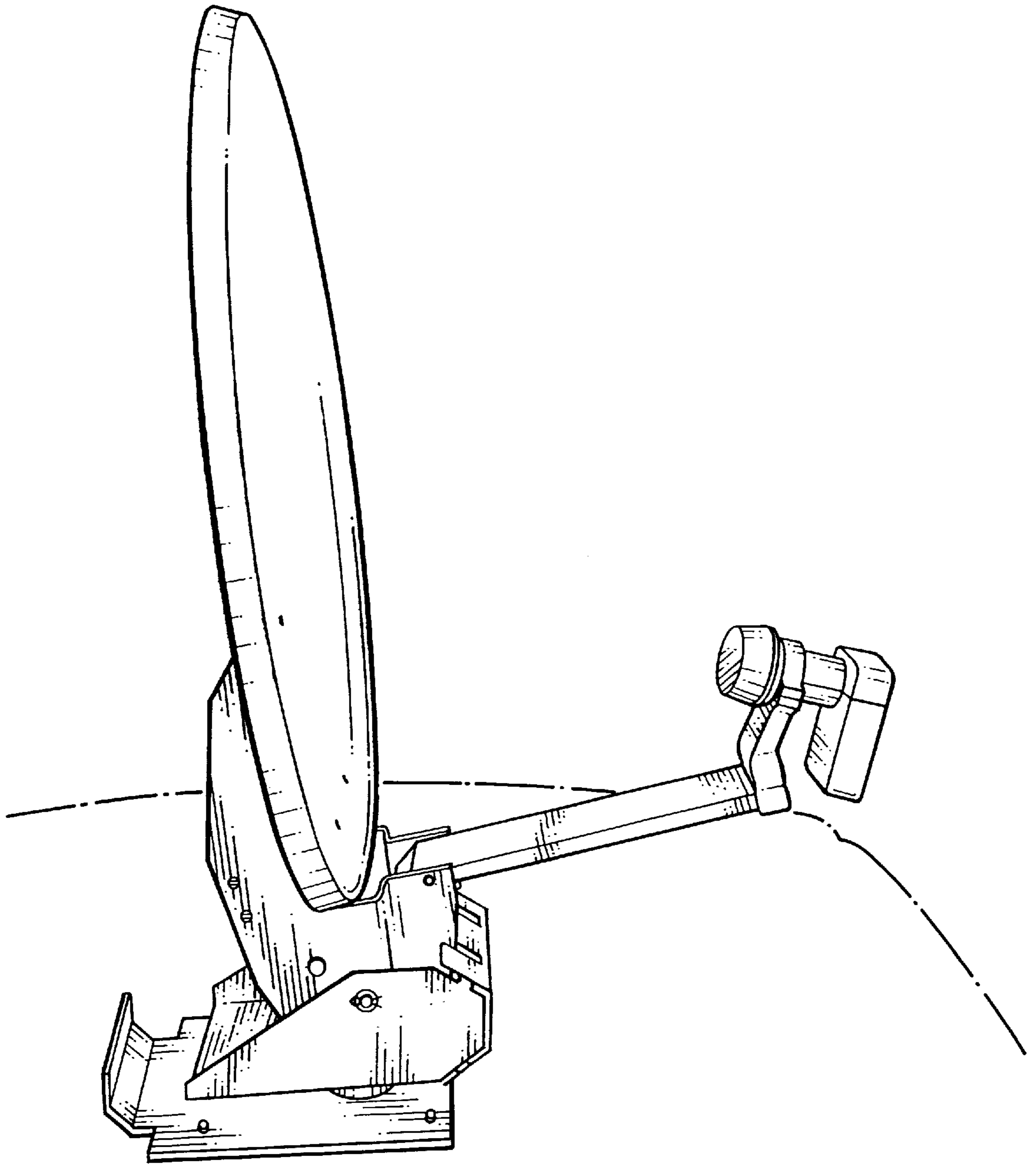


FIG. 1

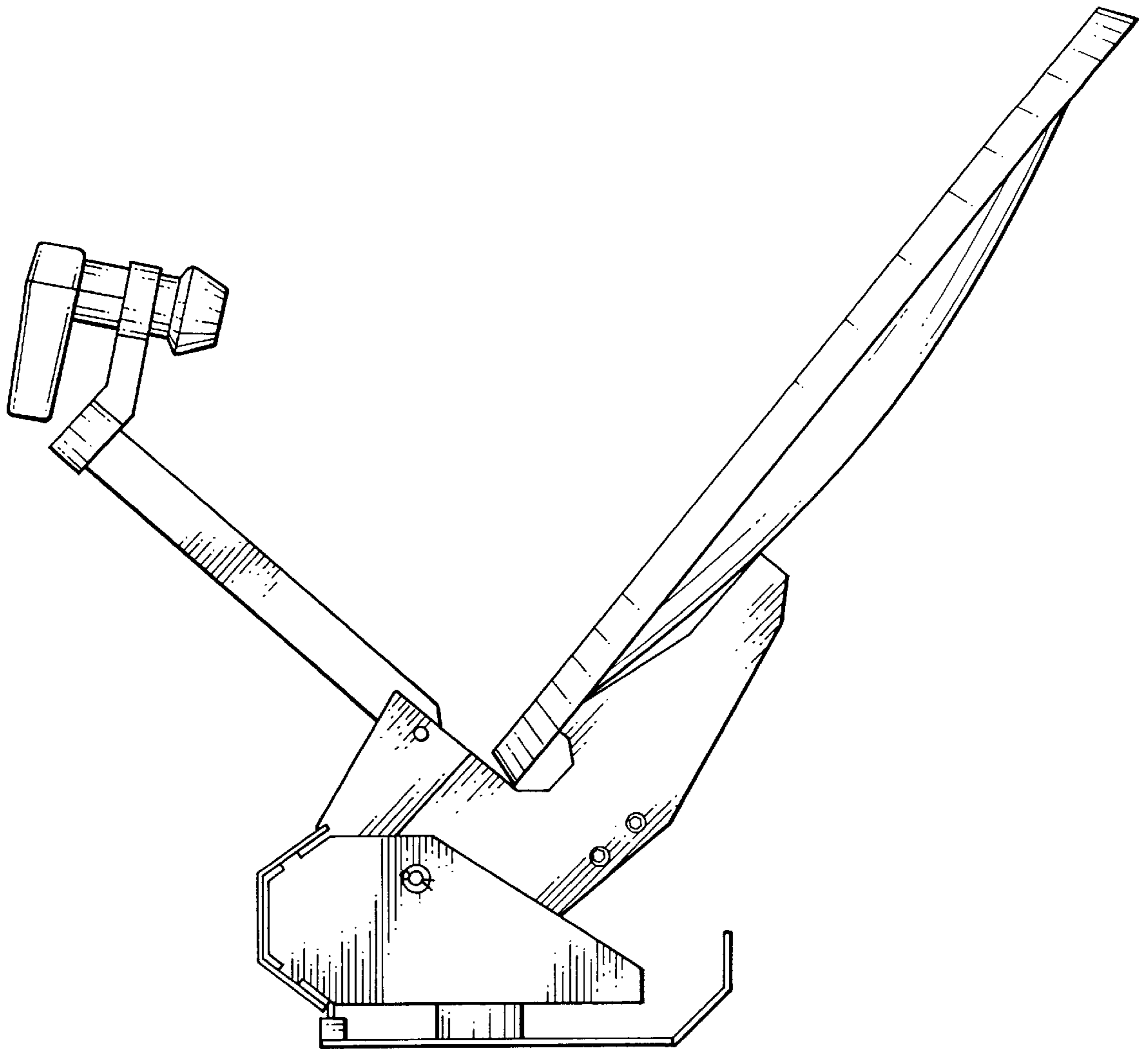


FIG. 2

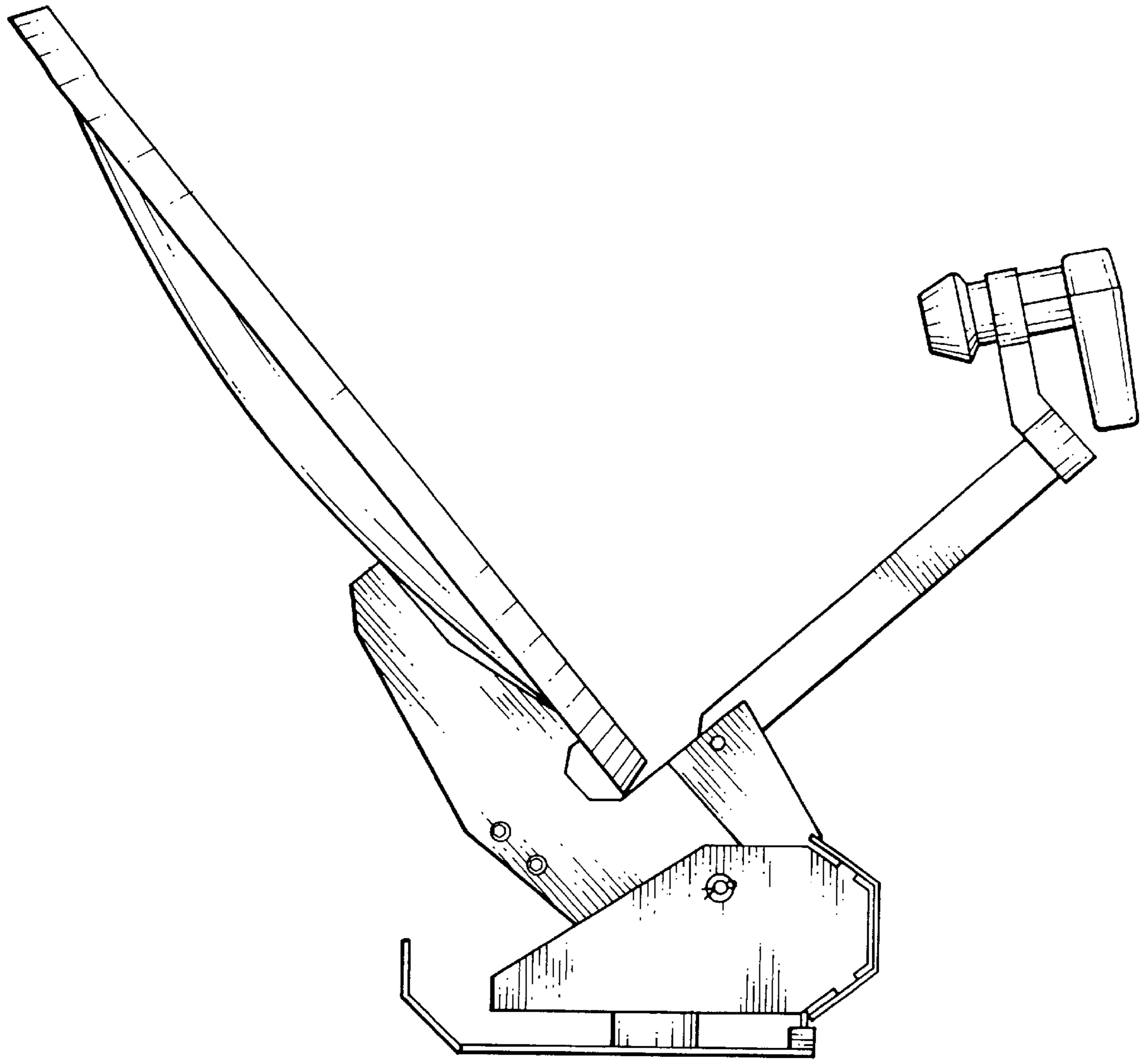


FIG. 3

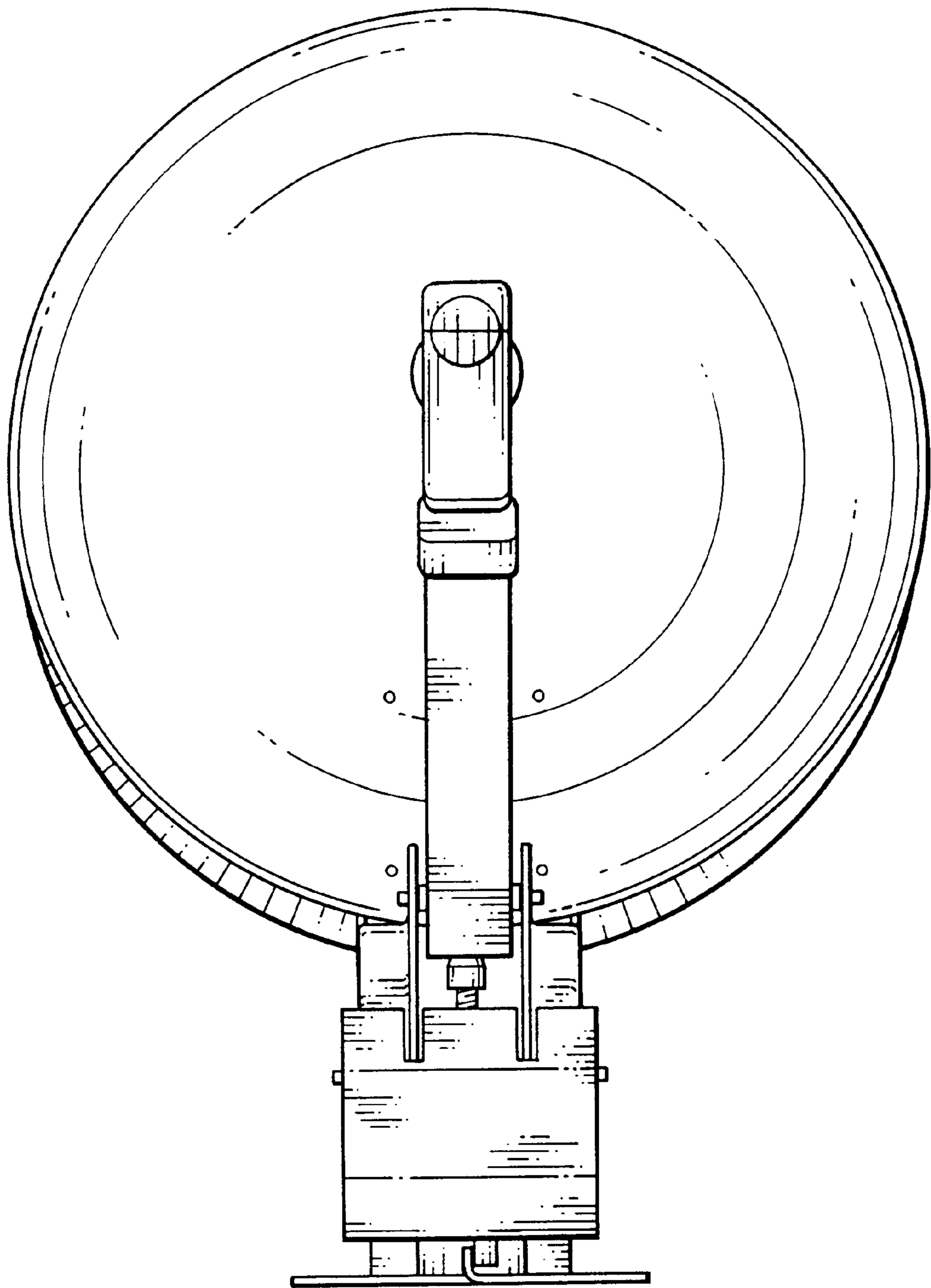


FIG. 4

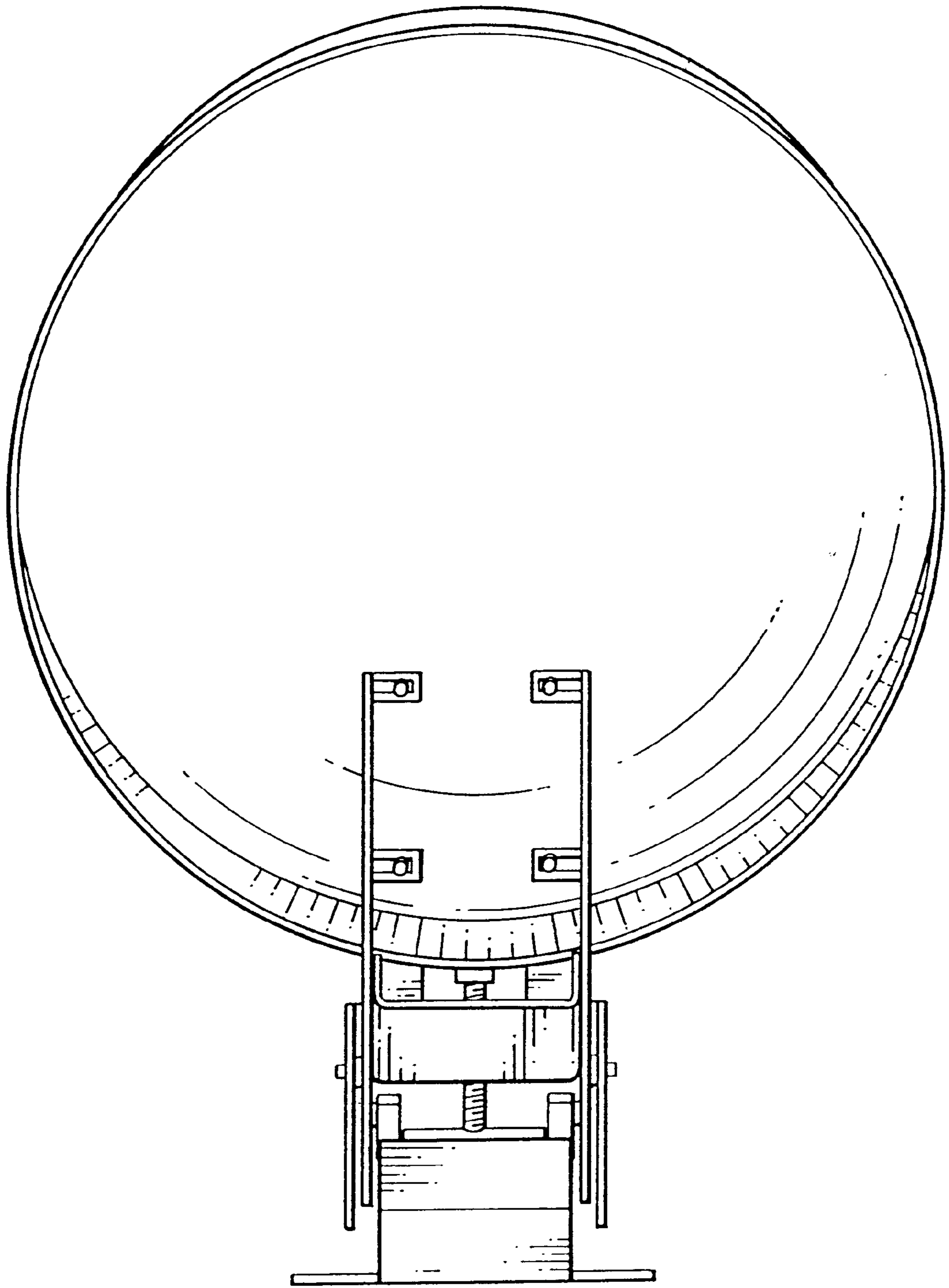


FIG. 5

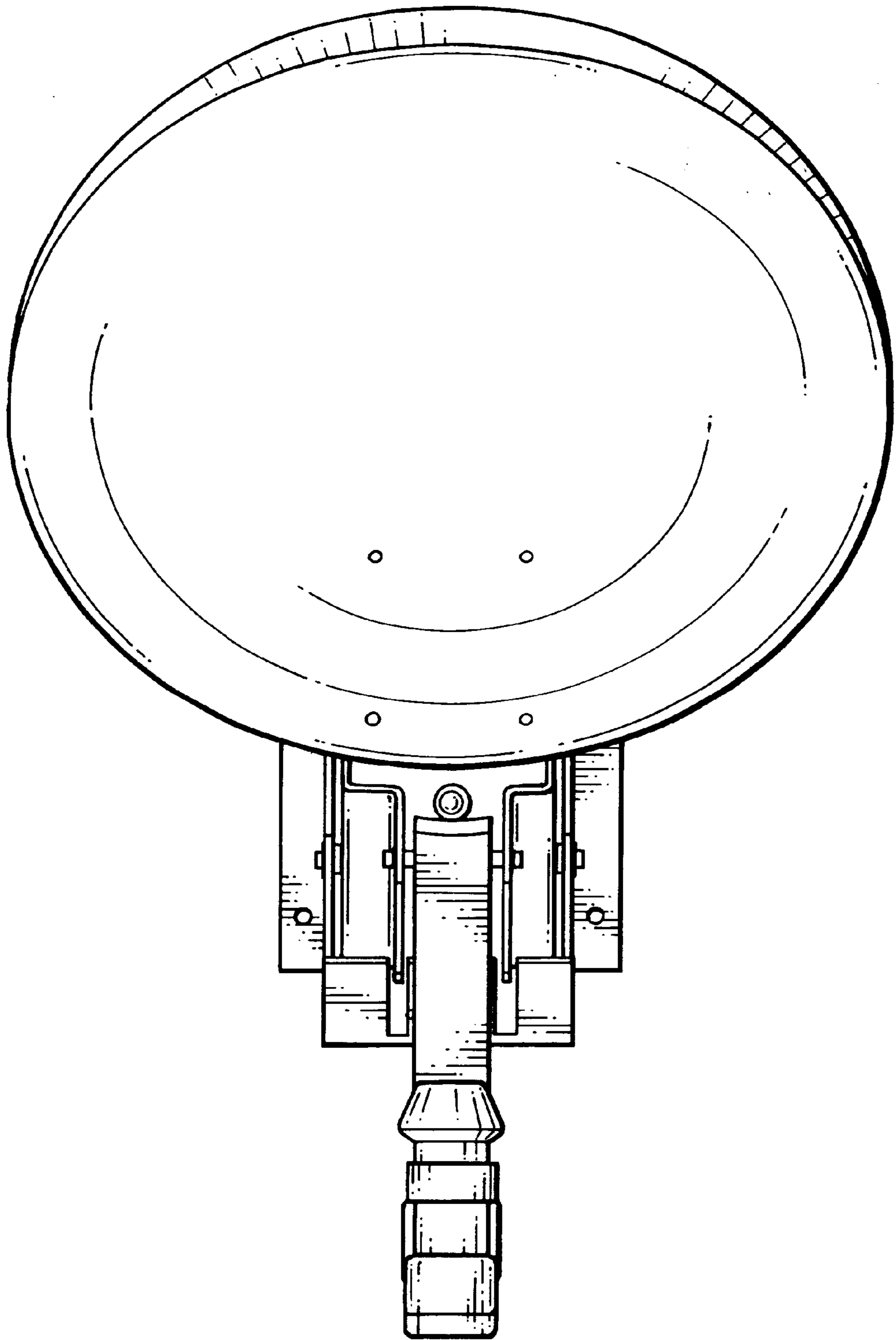


FIG. 6

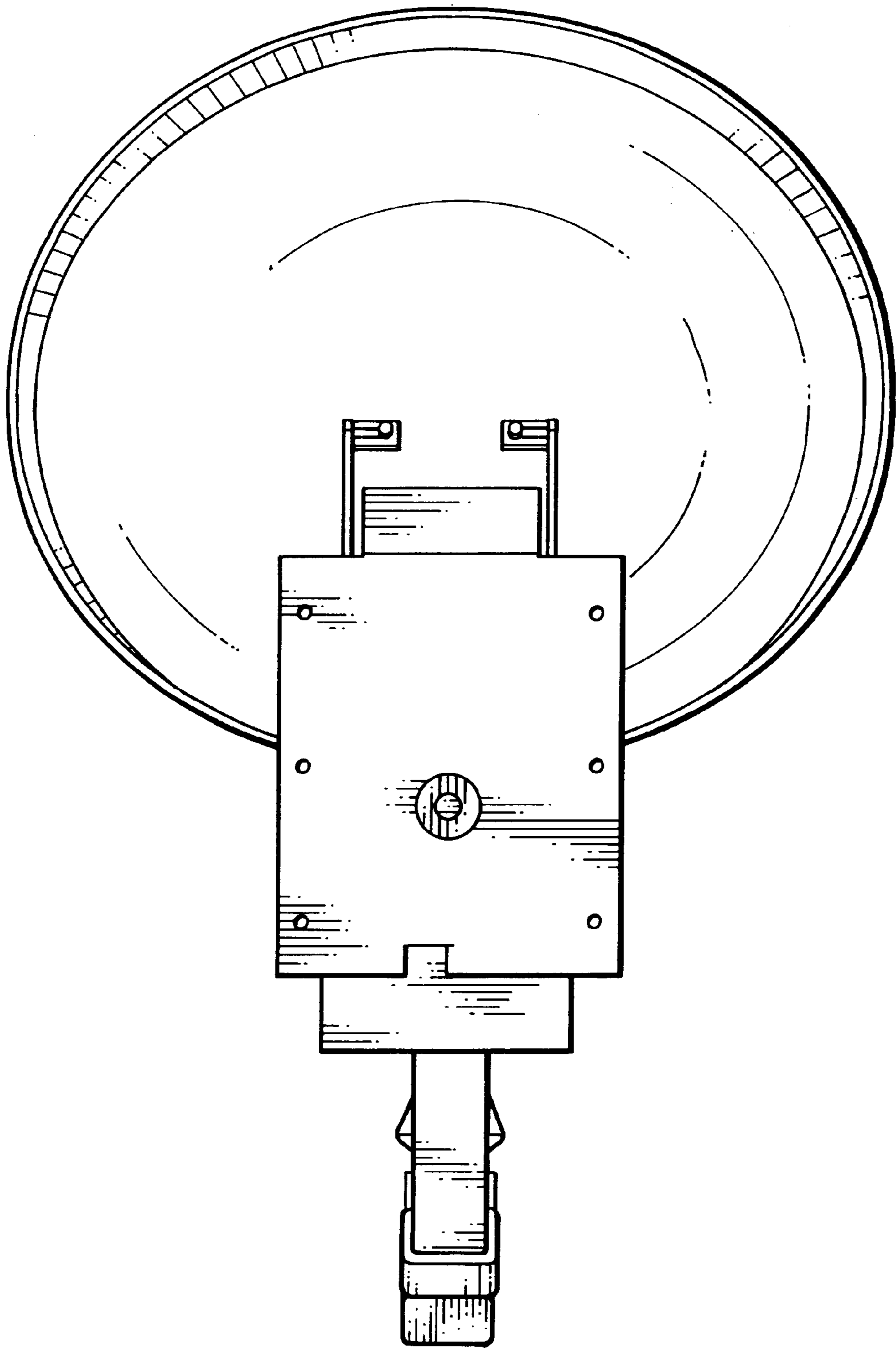


FIG. 7

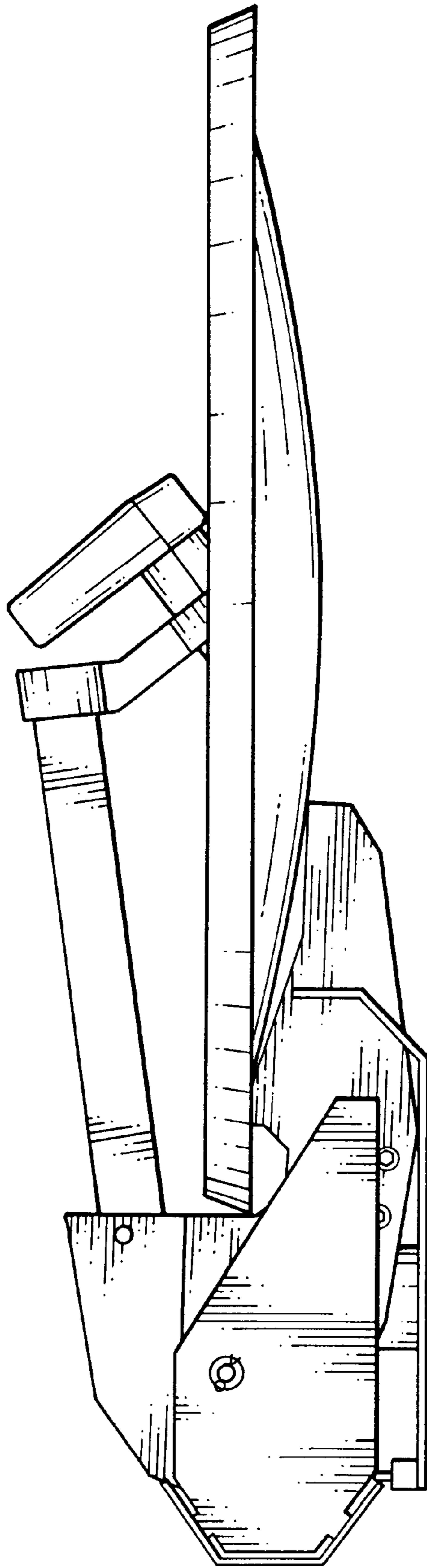


FIG. 8

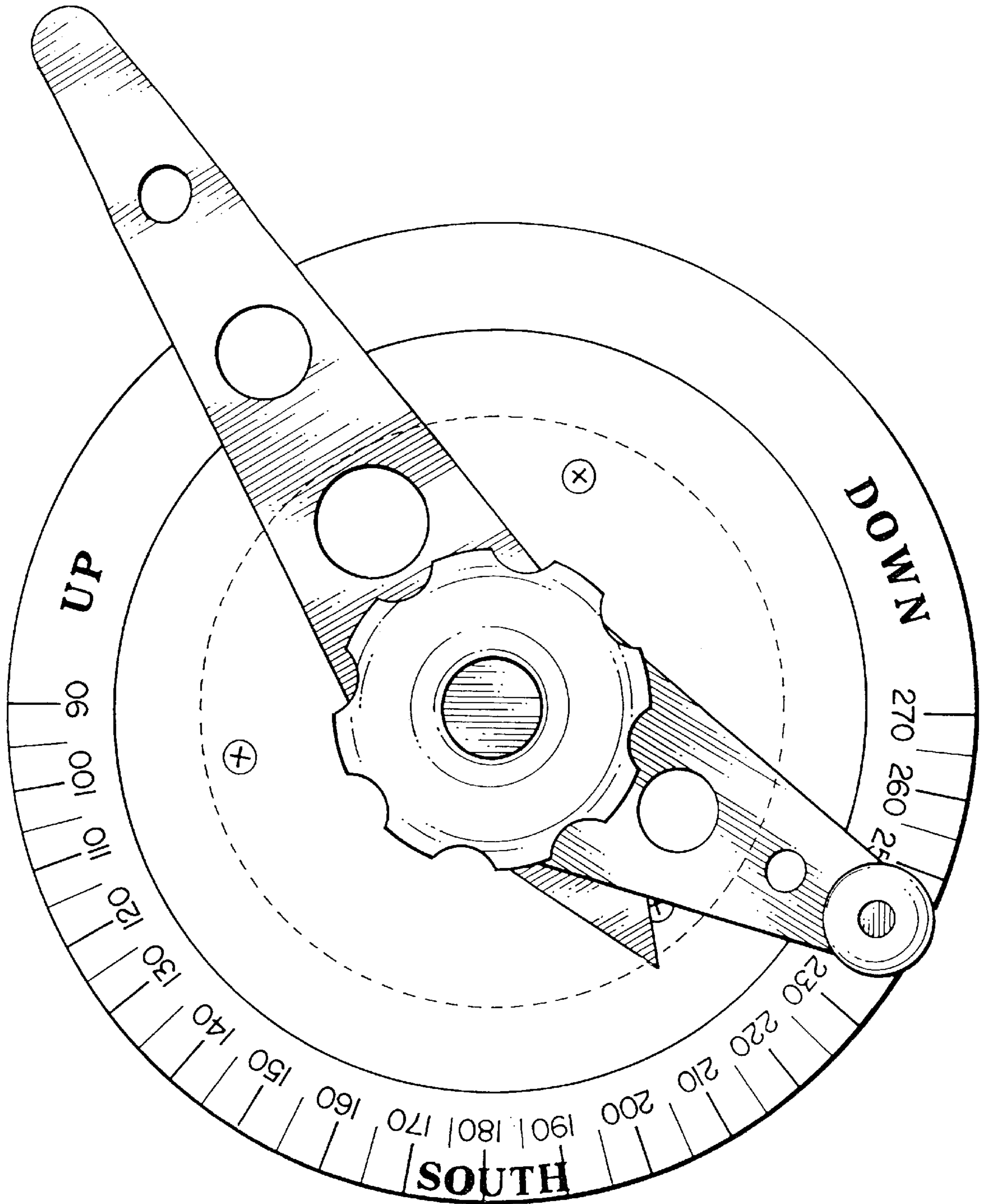


FIG. 9