



US00D433013S

United States Patent [19]

Yuyama et al.

[11] Patent Number: **Des. 433,013**

[45] Date of Patent: **** Oct. 31, 2000**

[54] **MICROPHONE**

D. 352,039 11/1994 Yurkonis et al. D14/225
2,224,974 12/1940 Lybarger 181/158

[75] Inventors: **Yasuo Yuyama; Hidefumi Goto**, both
of Tokyo, Japan

OTHER PUBLICATIONS

Catalog "92", p. 56, Sony, (Jul. 1999).

[73] Assignee: **Sony Corporation**, Japan

Primary Examiner—Nanda Bondade

[**] Term: **14 Years**

Attorney, Agent, or Firm—Rader, Fishman&Grauer

[21] Appl. No.: **29/115,467**

[57] CLAIM

[22] Filed: **Dec. 16, 1999**

The ornamental design for a microphone, as shown and described.

[51] **LOC (7) Cl.** **14-01**

DESCRIPTION

[52] **U.S. Cl.** **D14/227**

FIG. 1 is a perspective view of a microphone showing our new design;

[58] **Field of Search** D14/225-229;

181/158, 242; 381/26, 92, 95, 122, 369

FIG. 2 is a top plan view thereof;

[56] References Cited

U.S. PATENT DOCUMENTS

- D. 257,346 10/1980 Garrigus et al. D14/228
- D. 280,096 8/1985 Meister D14/226
- D. 283,891 5/1986 Parshad et al. D14/228
- D. 310,082 8/1990 Kehl et al. D14/227

FIG. 3 is a left side elevational view thereof;

FIG. 4 is a front elevational view thereof;

FIG. 5 is a bottom plan view thereof;

FIG. 6 is a right side elevational view thereof; and,

FIG. 7 is a rear elevational view thereof.

1 Claim, 3 Drawing Sheets

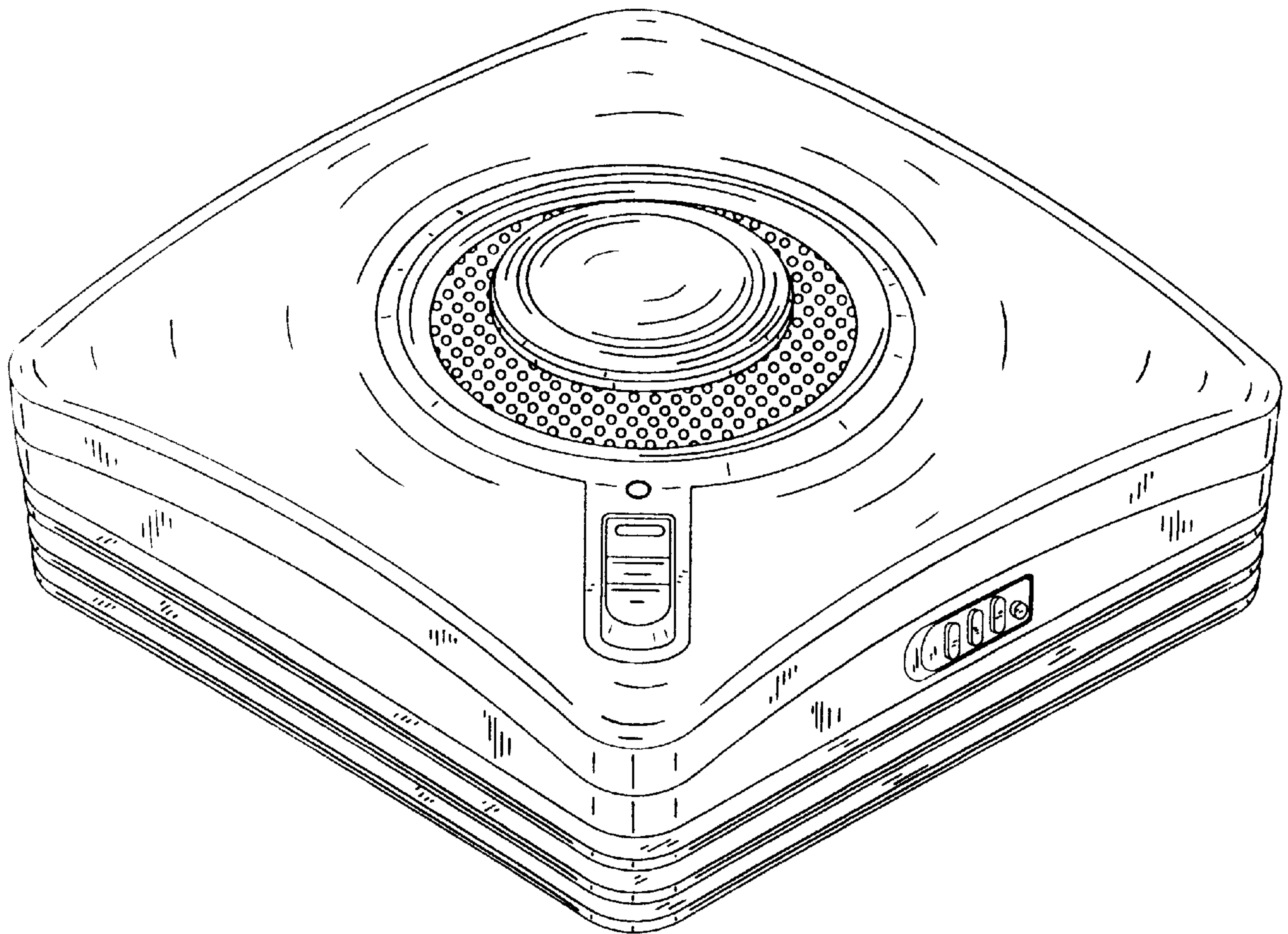


FIG. 1

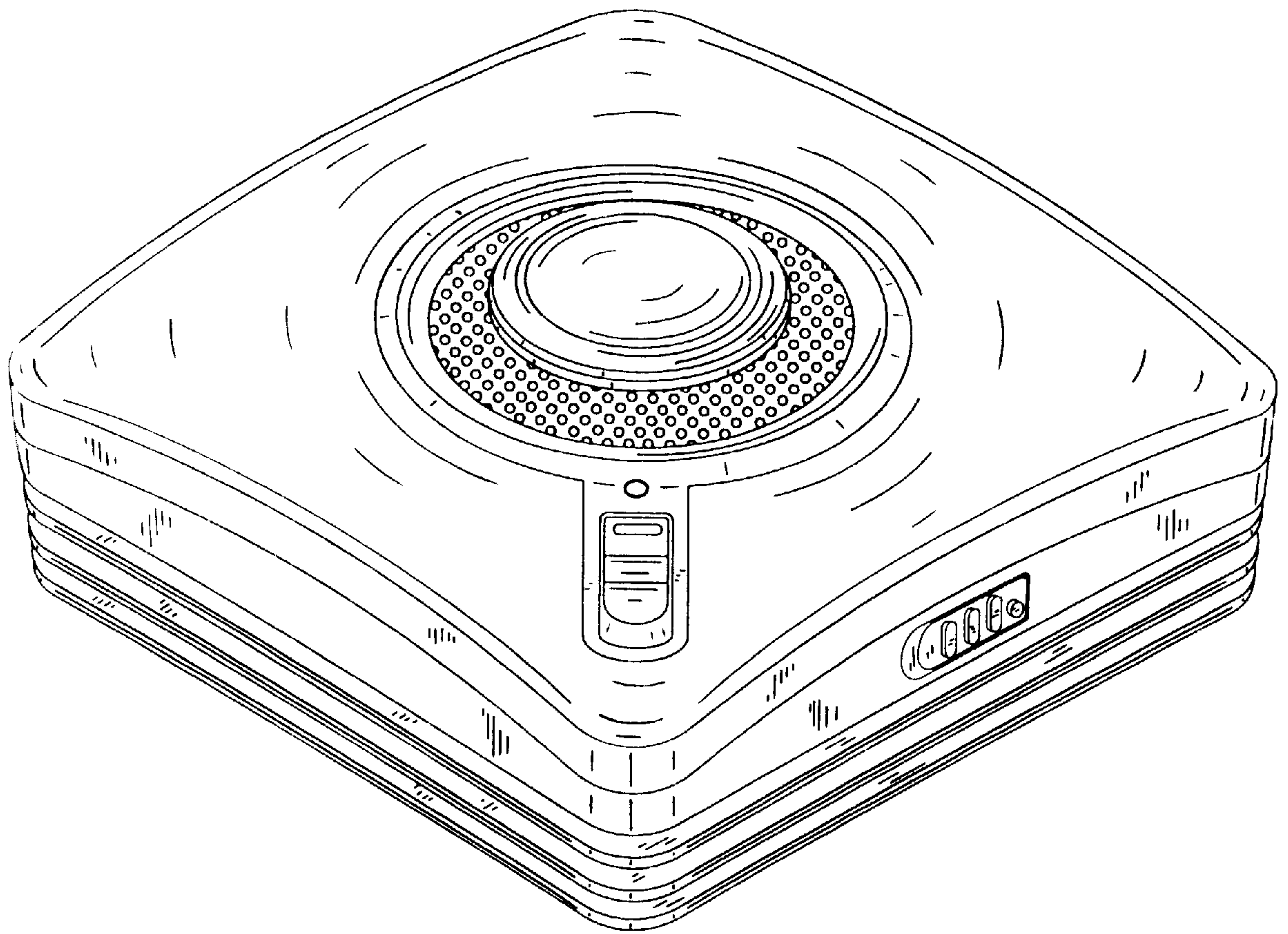


FIG. 2

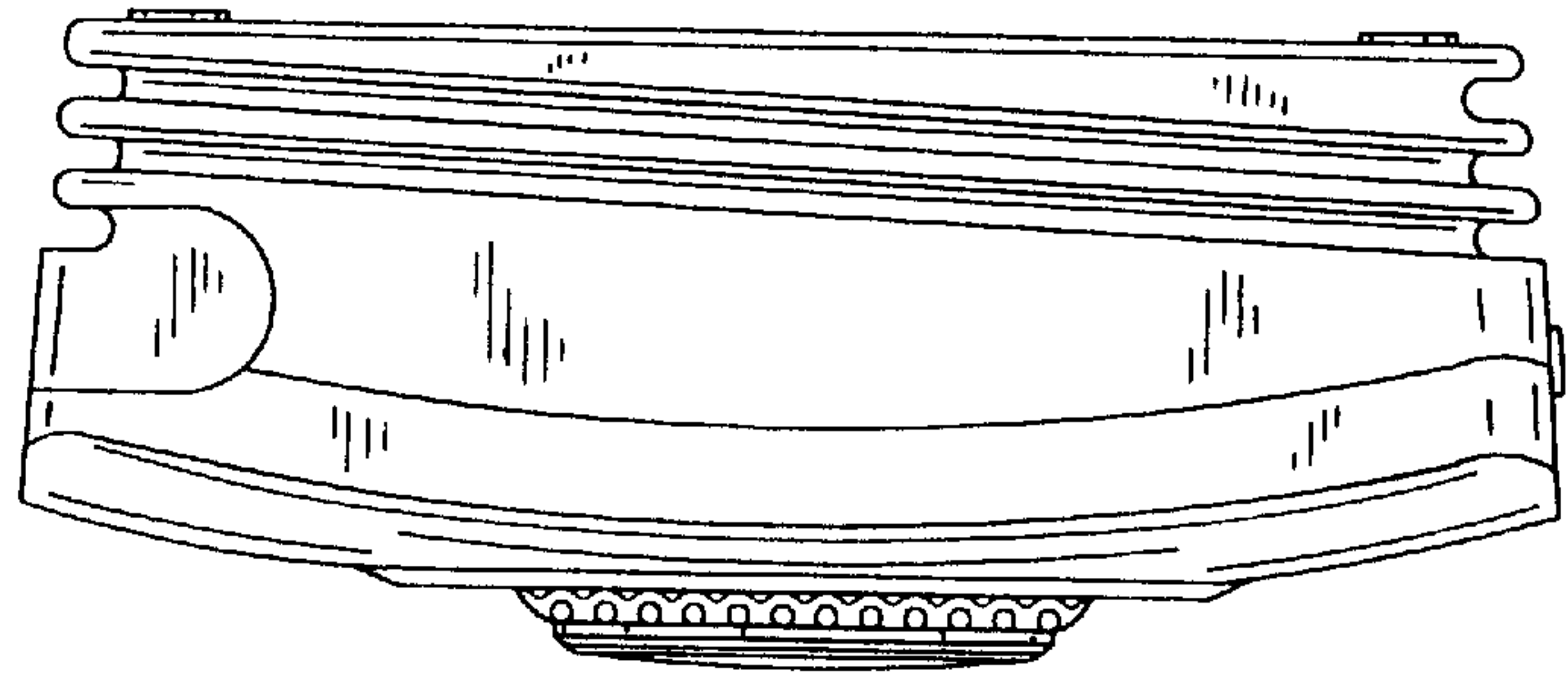


FIG. 3

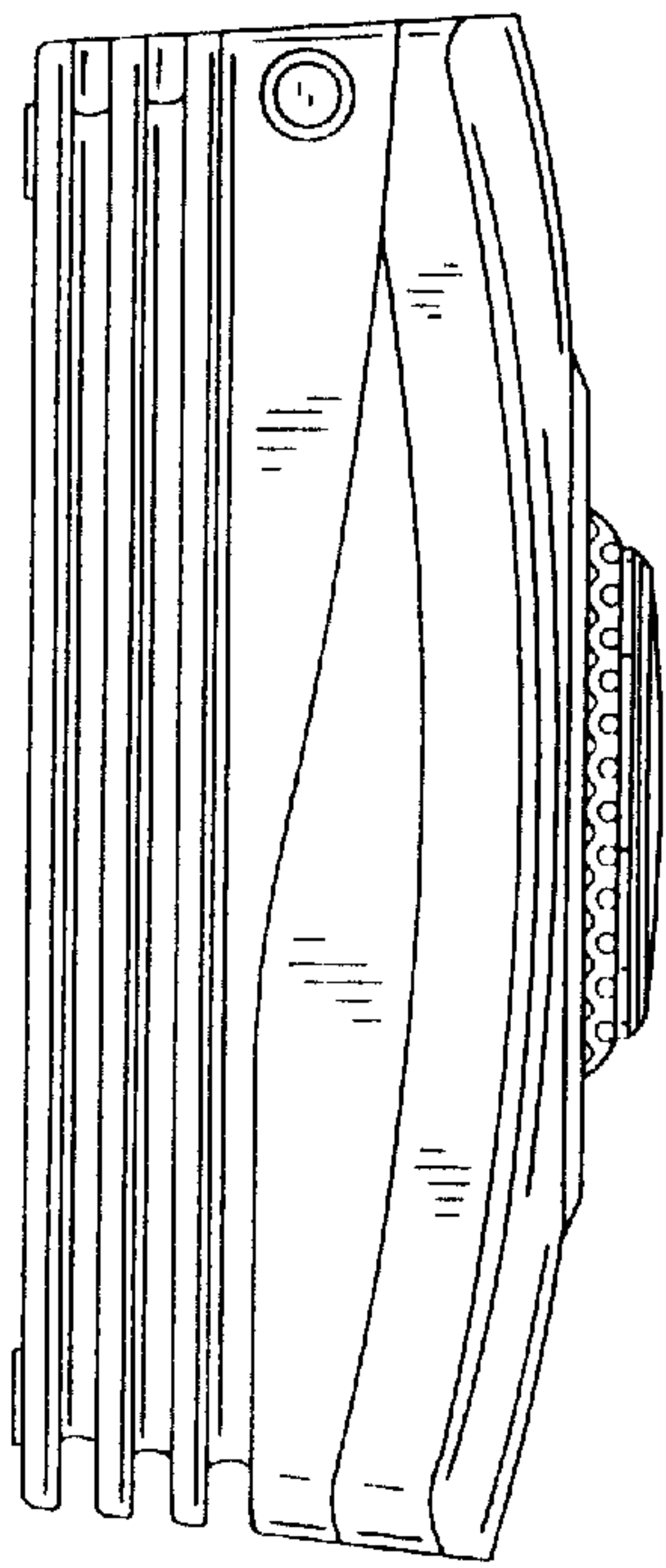


FIG. 4

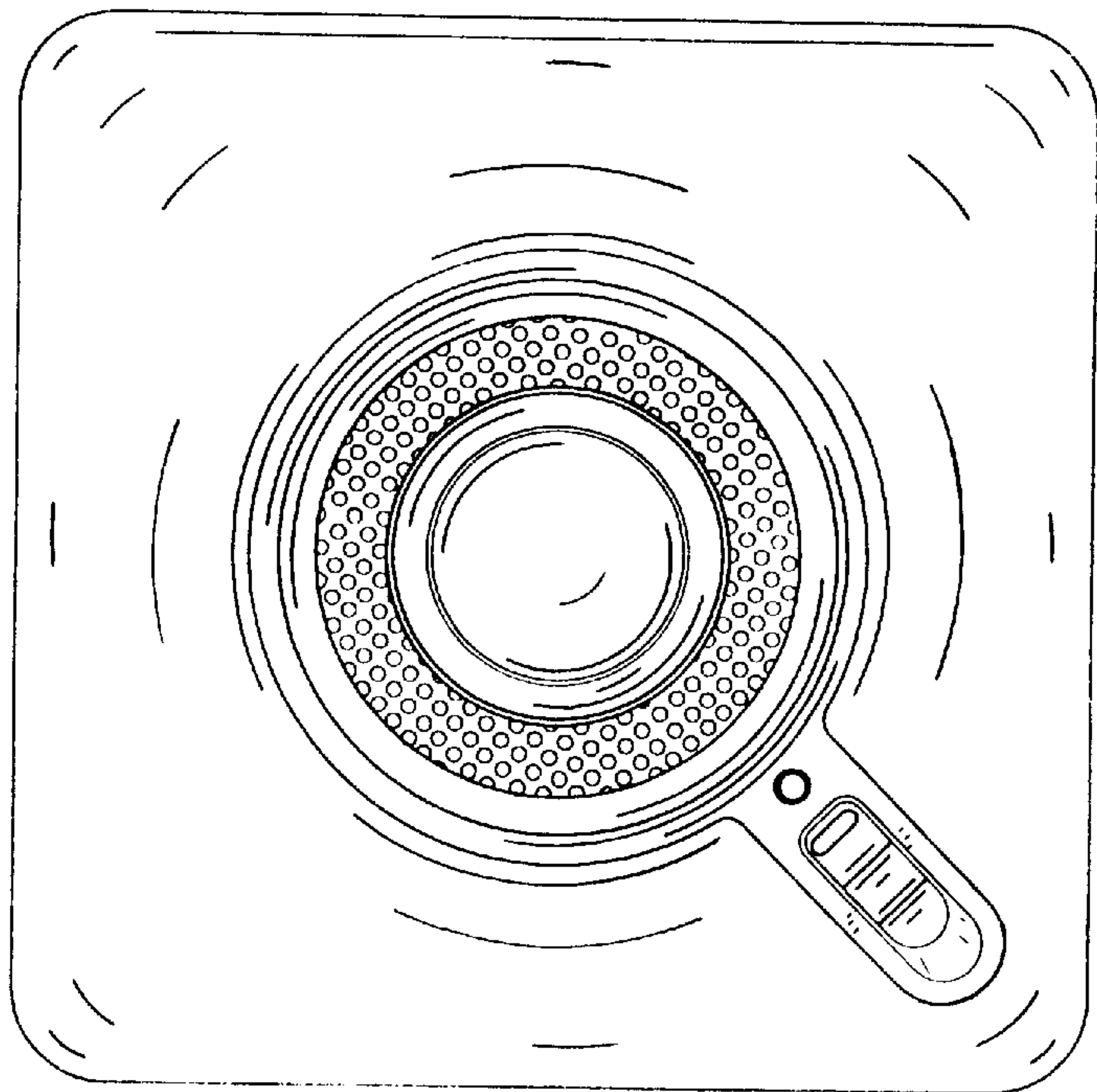


FIG. 6

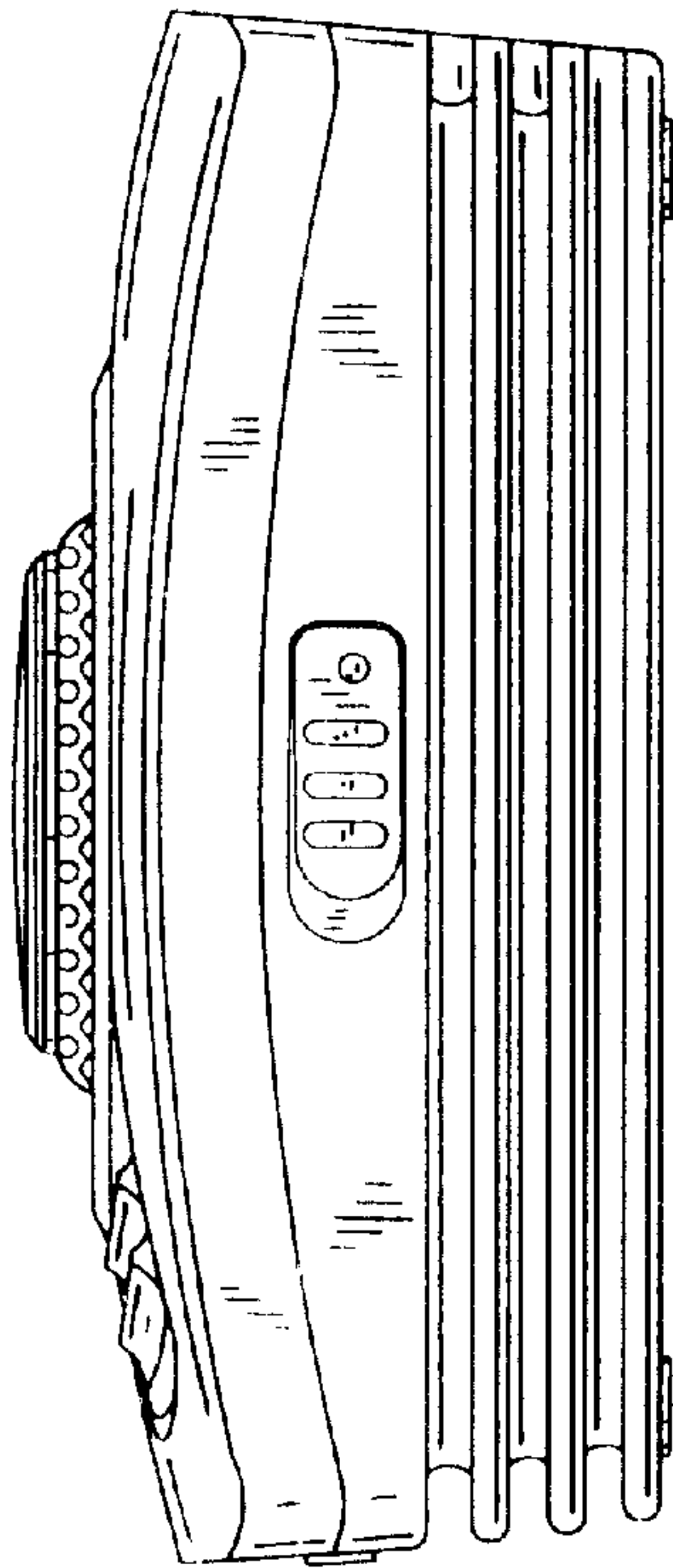


FIG. 7

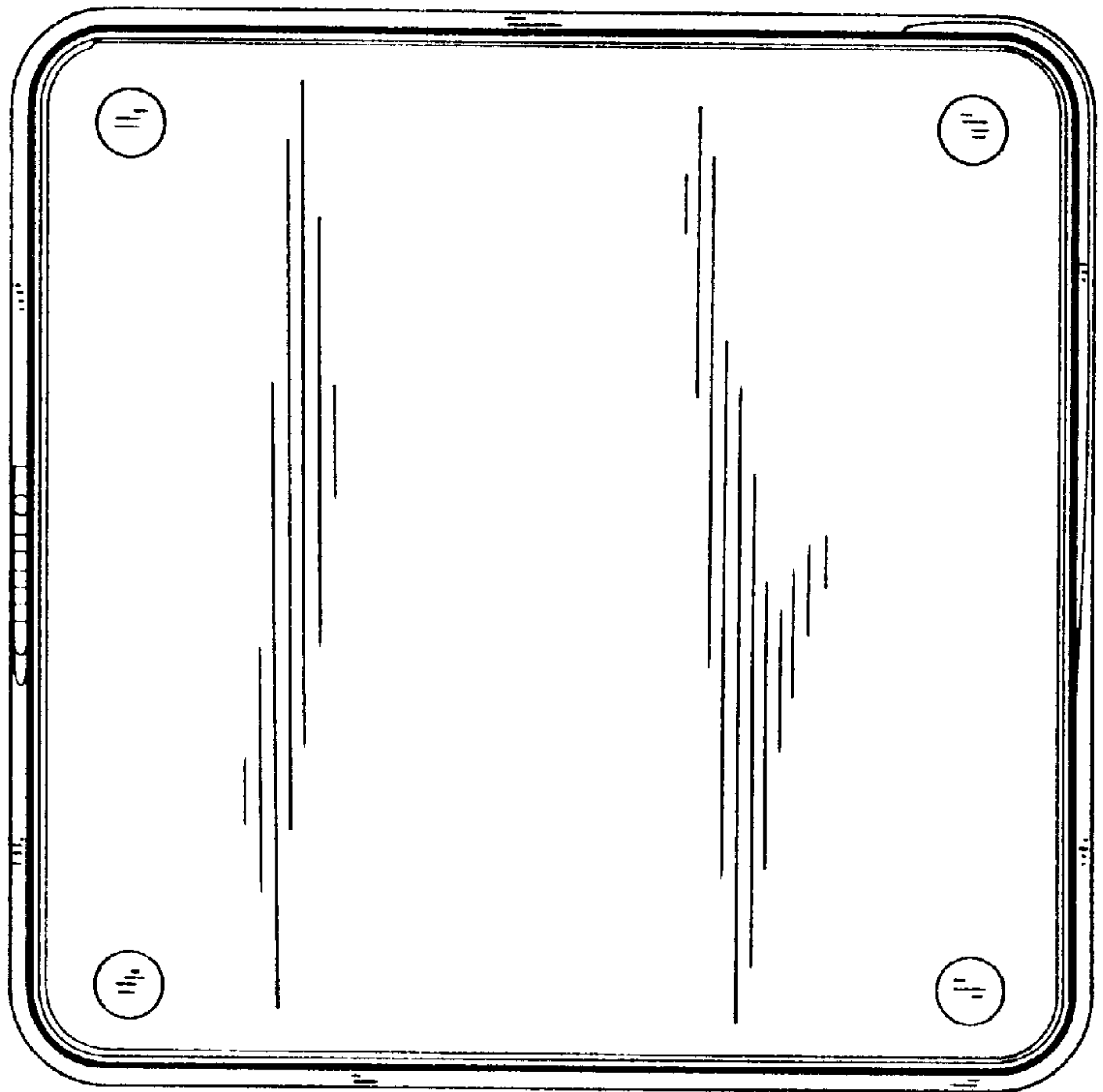


FIG. 5

