



US00D433011S

United States Patent [19]
O'Donnell et al.

[11] **Patent Number: Des. 433,011**
[45] **Date of Patent: ** Oct. 31, 2000**

[54] **DISC JOCKEY TURNTABLE**
[75] Inventors: **John E. O'Donnell**, Barrington, R.I.;
Christopher B. Roman, Wrentham,
Mass.
[73] Assignee: **Numark Industries, LLC**, North
Kingstown, R.I.
[**] Term: **14 Years**
[21] Appl. No.: **29/105,573**
[22] Filed: **May 26, 1999**
[51] **LOC (7) Cl.** **14-01**
[52] **U.S. Cl.** **D14/202**
[58] **Field of Search** D14/199-203;
369/75.1, 176, 203, 213, 226, 232, 234,
237, 244, 263, 264, 268

4,118,037 10/1978 Ngai 274/1 A
4,189,155 2/1980 Ngai 274/1 A
4,524,438 6/1985 Einhaus 369/75.1
4,734,902 3/1988 Dennis et al. 369/176
4,788,676 11/1988 Dennis 369/176
5,040,164 8/1991 Liu 369/268

Primary Examiner—Nanda Bondade
Attorney, Agent, or Firm—Barlow, Josephs & Holmes, Ltd.

[57] **CLAIM**

The ornamental design for a disc jockey turntable, as shown.

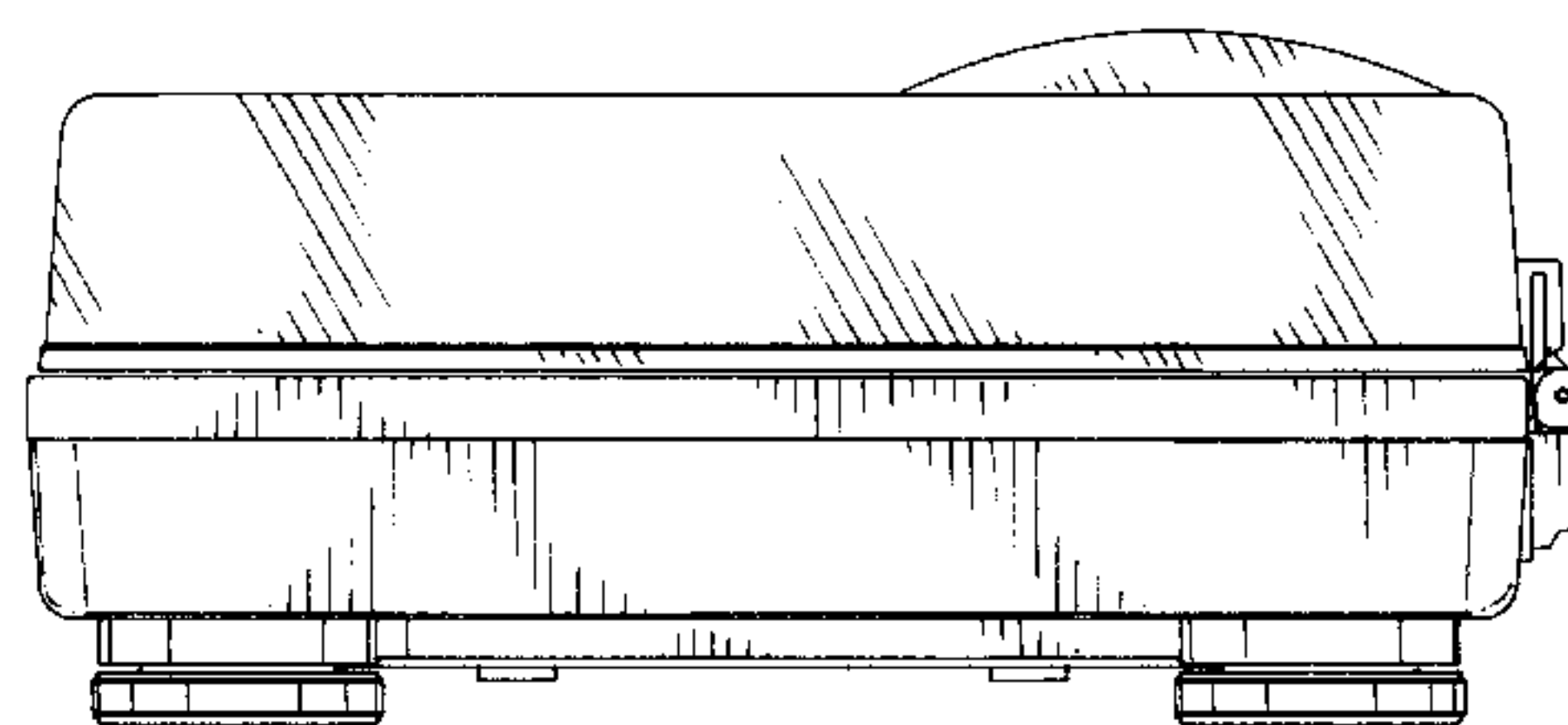
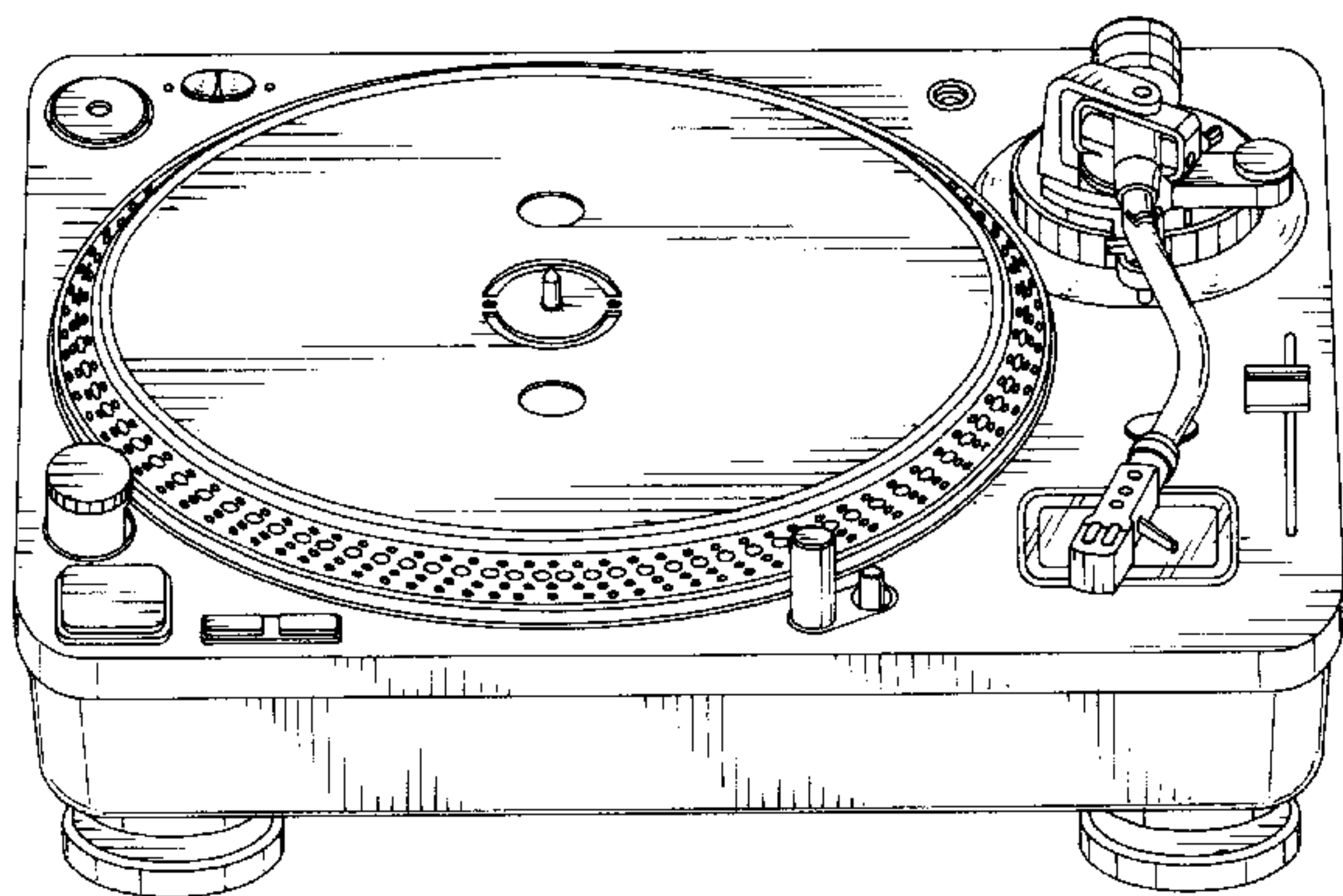
DESCRIPTION

FIG. 1 is a front perspective view of a disc jockey turntable showing our new design with cover removed for illustrative purposes;
FIG. 2 is a top view thereof;
FIG. 3 is a bottom view thereof;
FIG. 4 is a front elevational view thereof;
FIG. 5 is a rear elevational view thereof;
FIG. 6 is a left side elevational view thereof;
FIG. 7 is a right side elevational view thereof;
FIG. 8 is a top view of the disc jockey turntable showing our new design with cover installed for illustrative purposes;
FIG. 9 is a bottom view of our invention shown in FIG. 8;
FIG. 10 is a front elevational view of our invention shown in FIG. 8;
FIG. 11 is a rear elevational view of our invention shown in FIG. 8;
FIG. 12 is a left side elevational view of our invention shown in FIG. 8; and,
FIG. 13 is a right side elevational view of our invention shown in FIG. 8.

[56] **References Cited**
U.S. PATENT DOCUMENTS

D. 247,488	3/1978	Ohtomo	D14/202
D. 250,333	11/1978	Meunier	D14/17
D. 250,334	11/1978	Meunier	D14/17
D. 252,330	7/1979	Leech	D14/203
D. 252,393	7/1979	Kashidaira	D14/203
D. 256,461	8/1980	Guillon	D14/25
D. 256,462	8/1980	Vachus	D14/25
D. 258,652	3/1981	Guillon	D14/25
D. 258,653	3/1981	Vachus	D14/25
D. 260,766	9/1981	Vachus	D14/25
D. 261,388	10/1981	Vachus	D14/25
3,552,816	1/1971	Wolanin	369/75.1
4,054,291	10/1977	Maeda	274/39 R

1 Claim, 9 Drawing Sheets



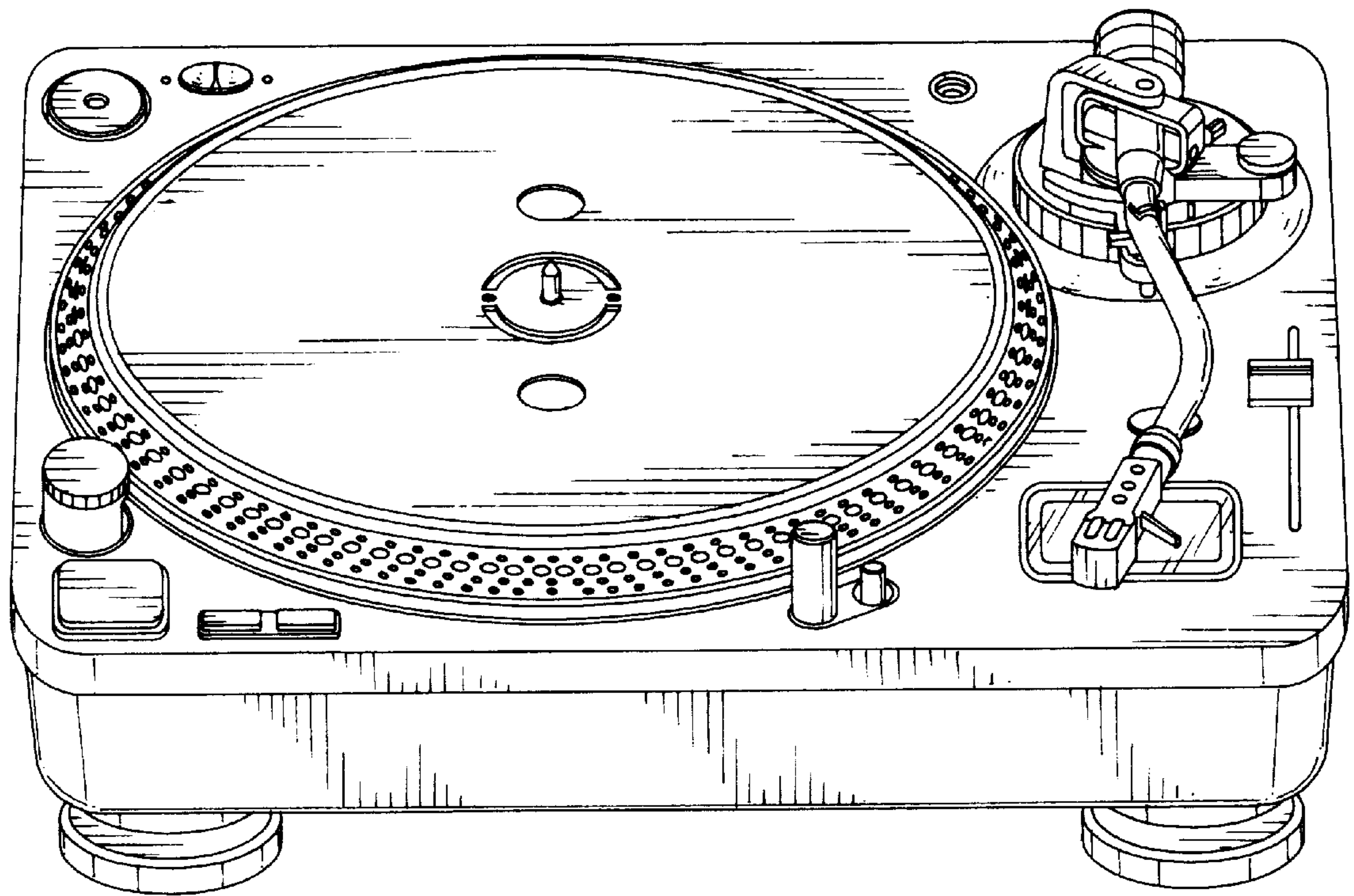


FIG. 1

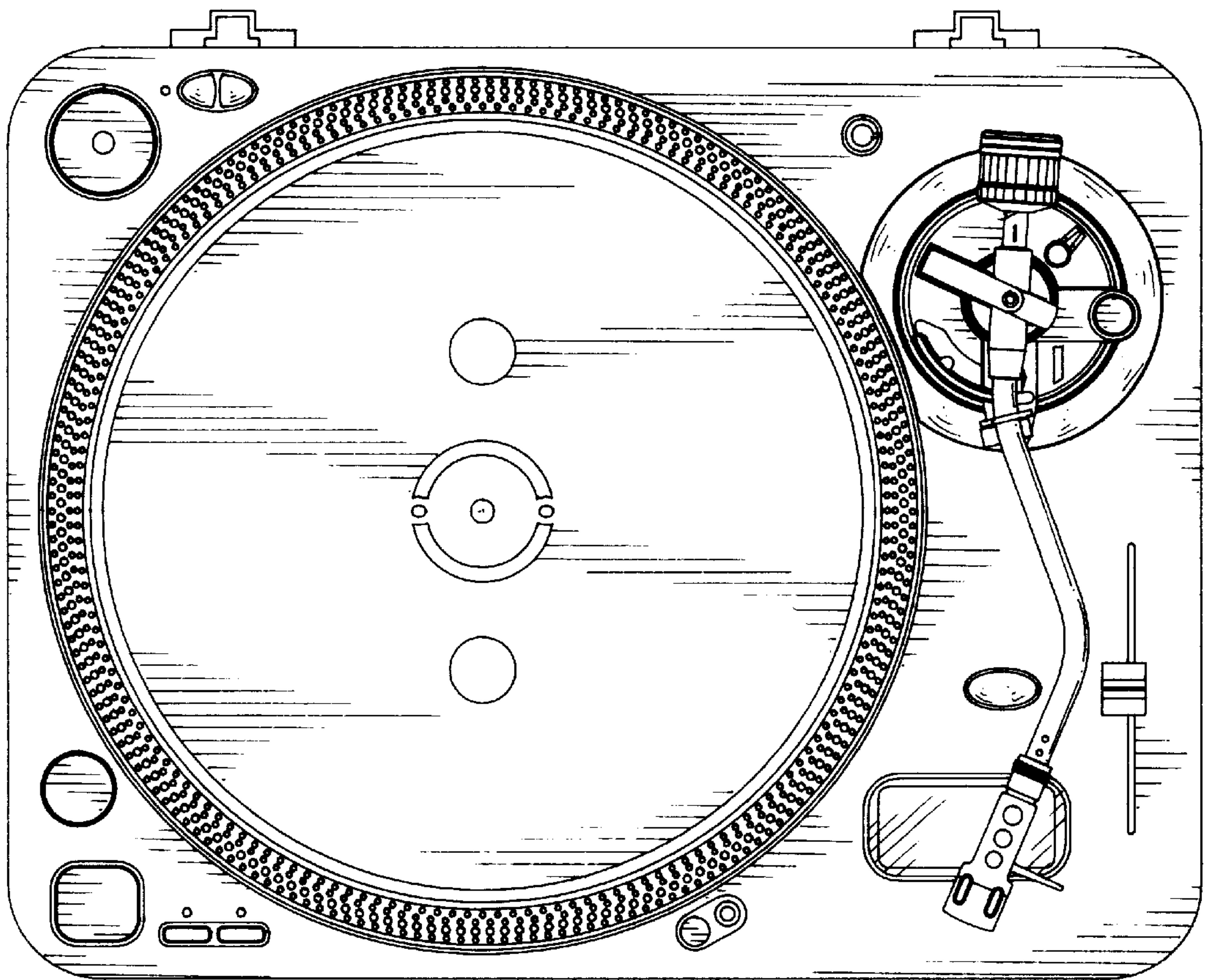


FIG. 2

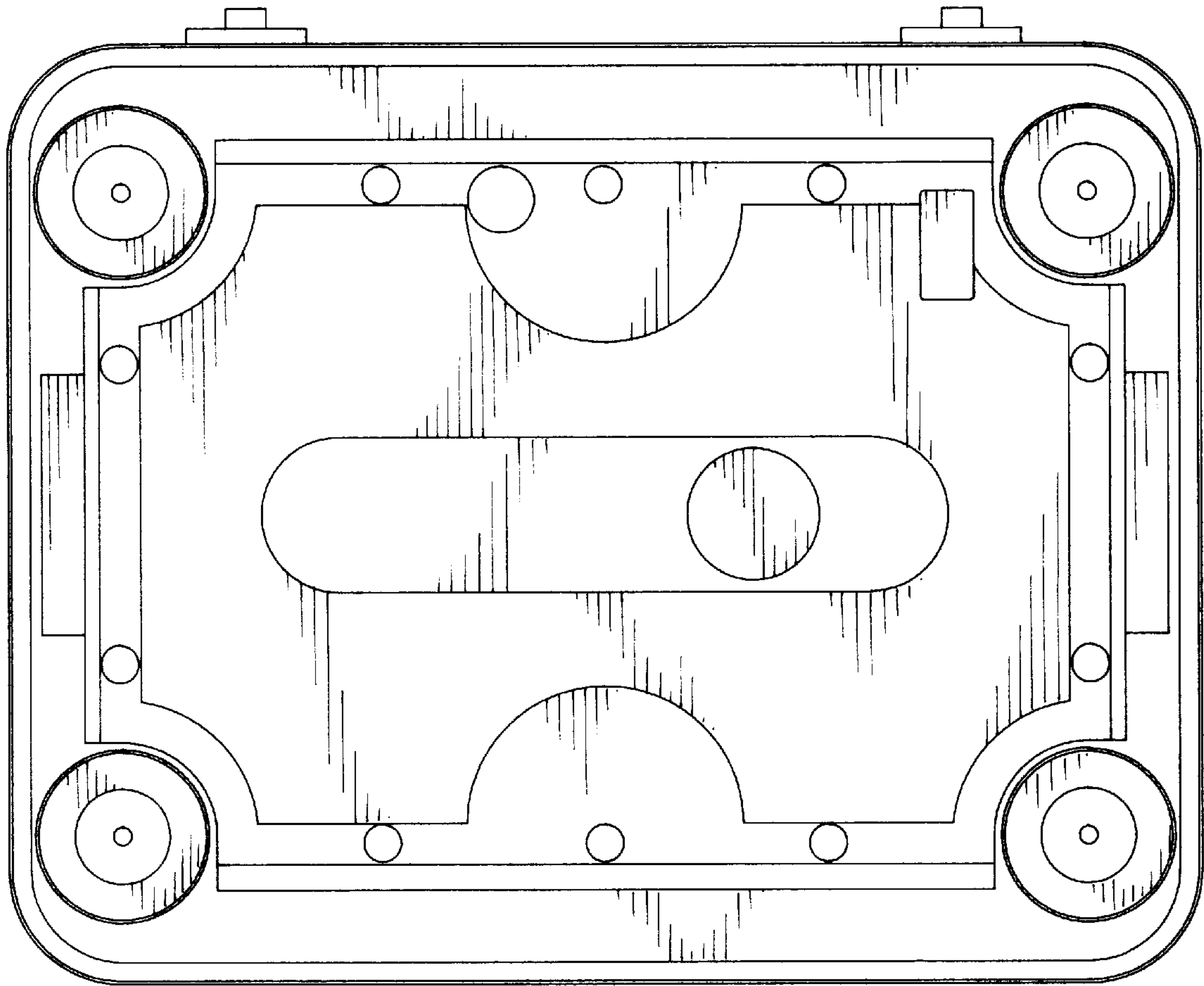


FIG. 3

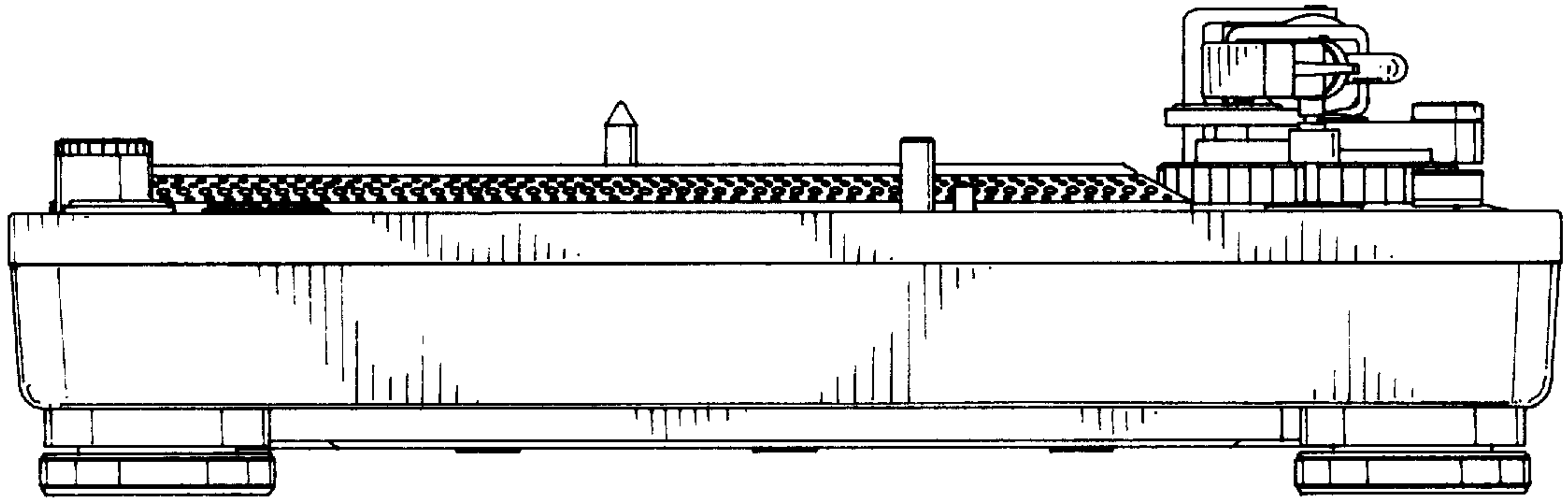


FIG. 4

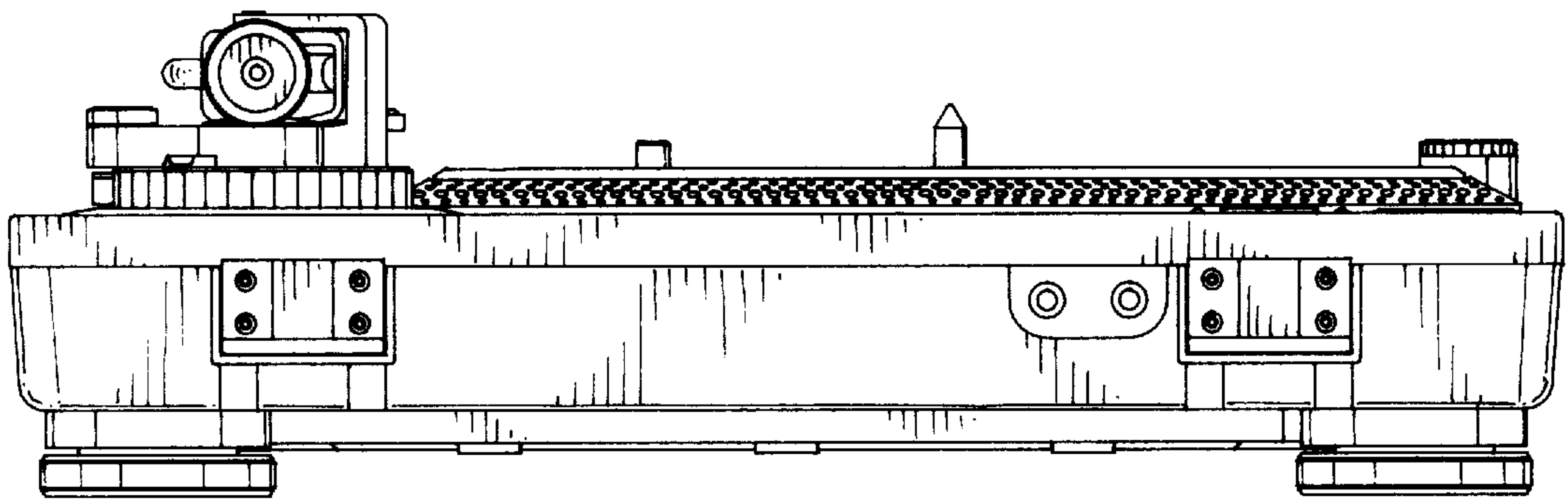


FIG. 5

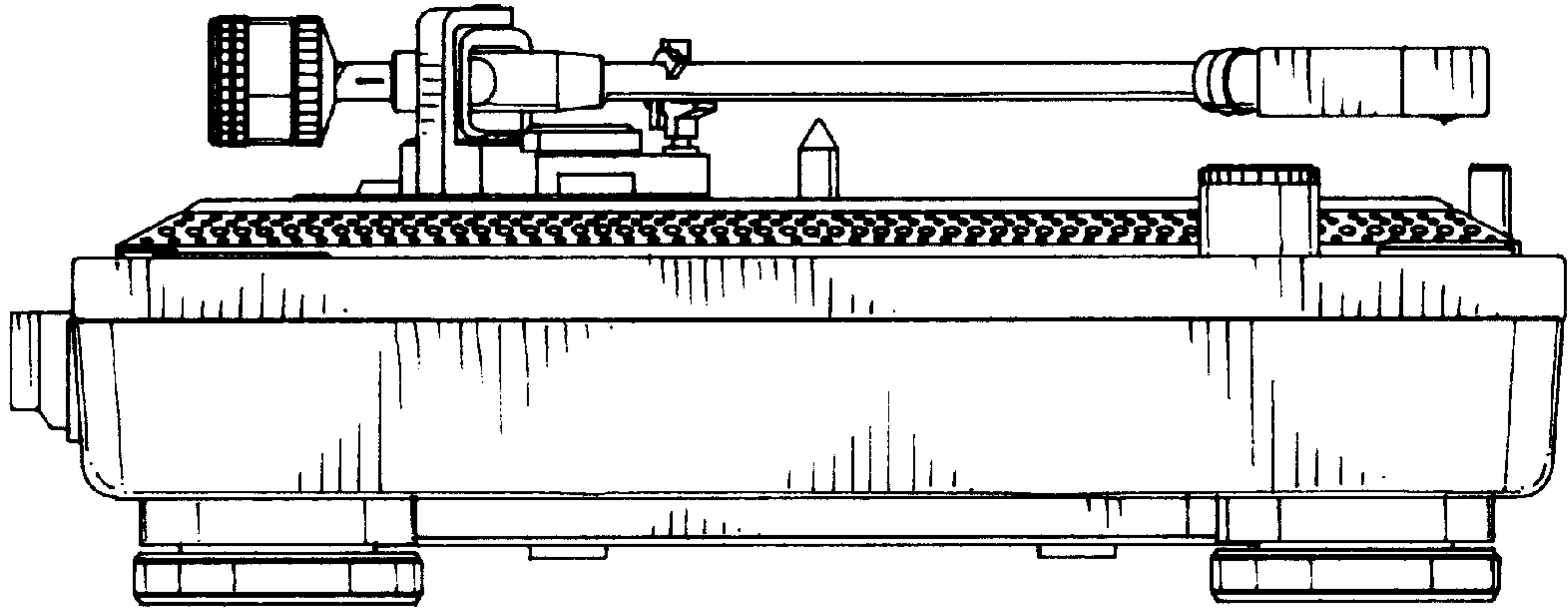


FIG. 6

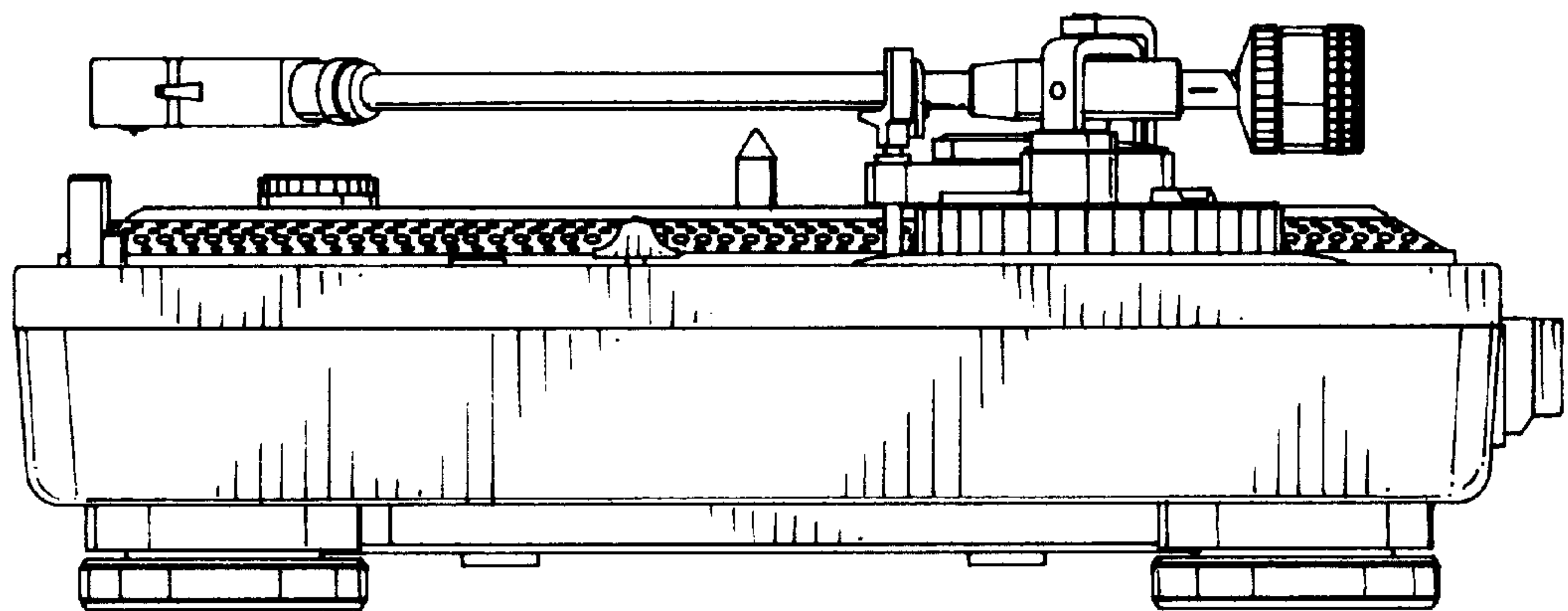


FIG. 7

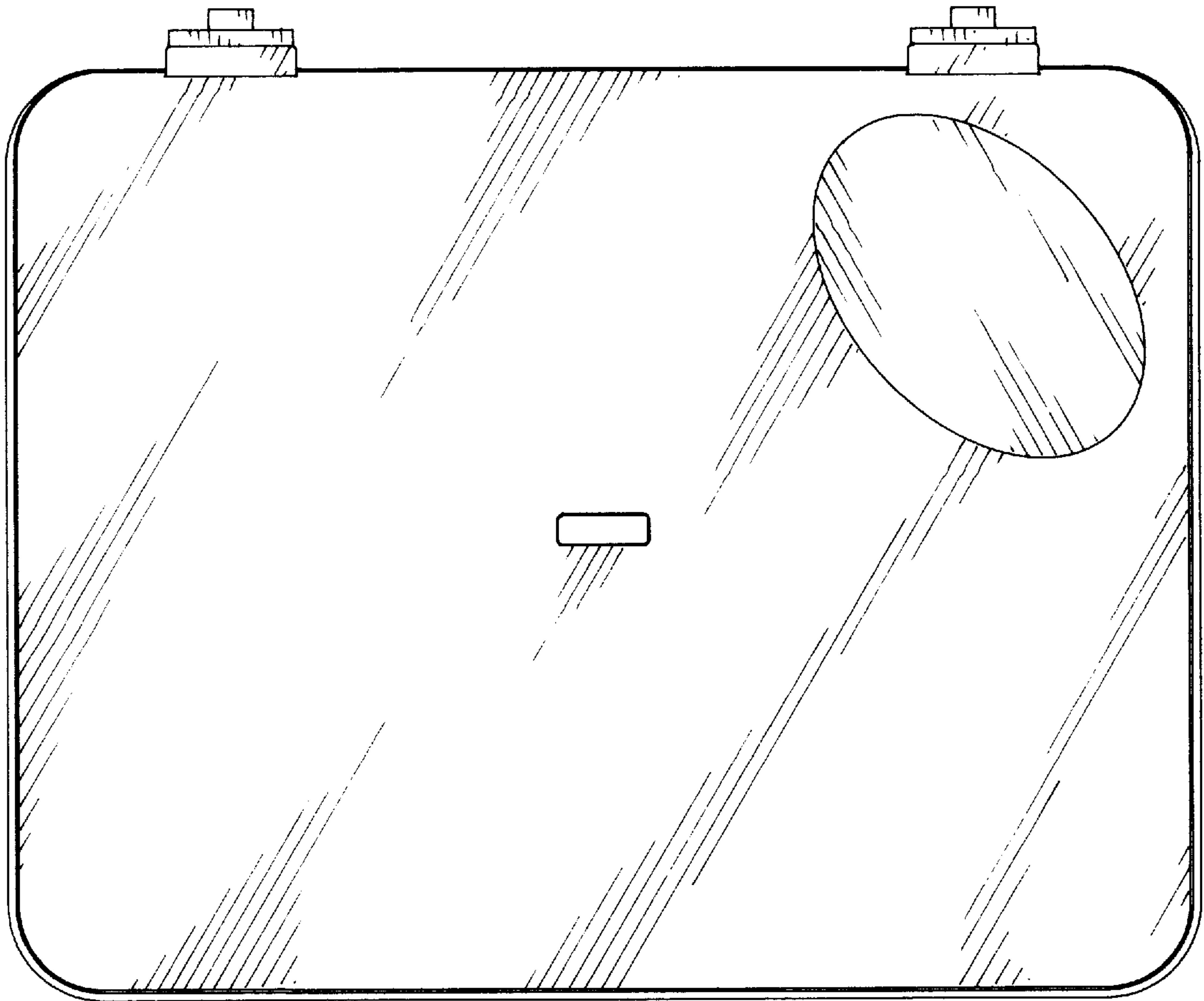


FIG. 8

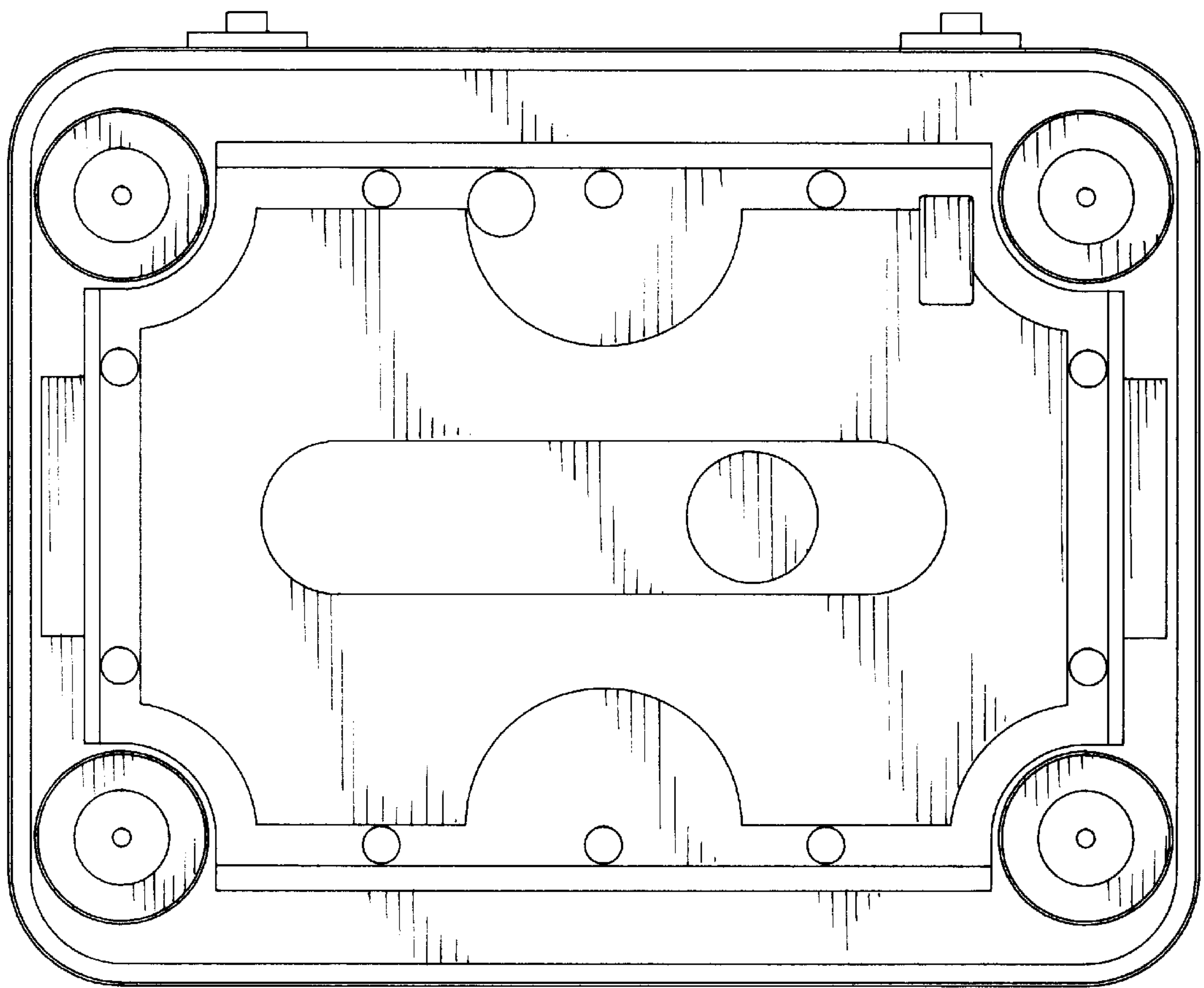


FIG. 9

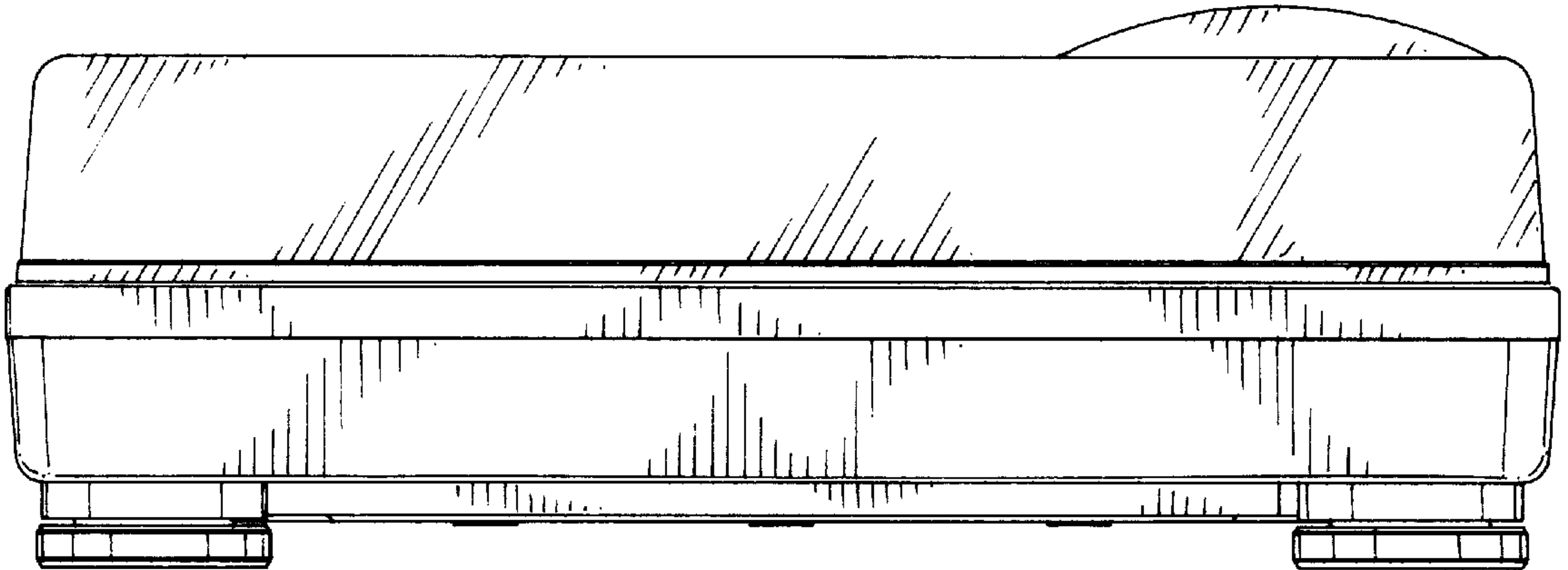


FIG. 10

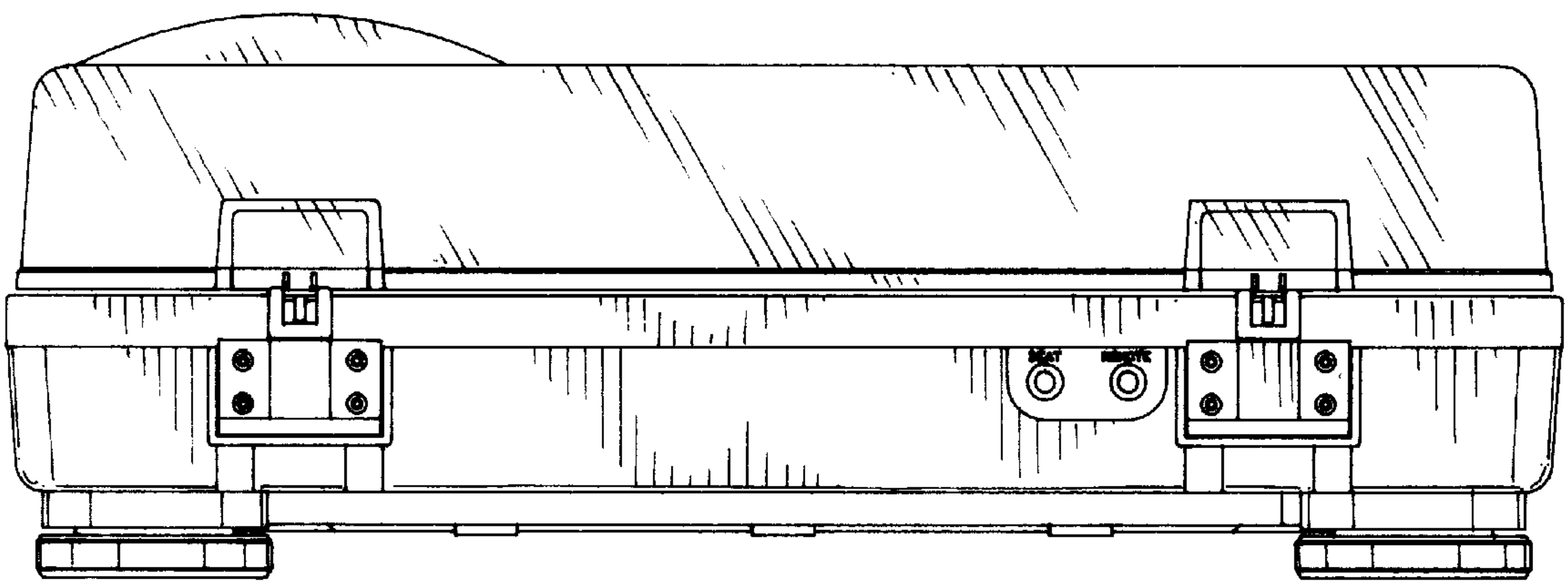


FIG. 11

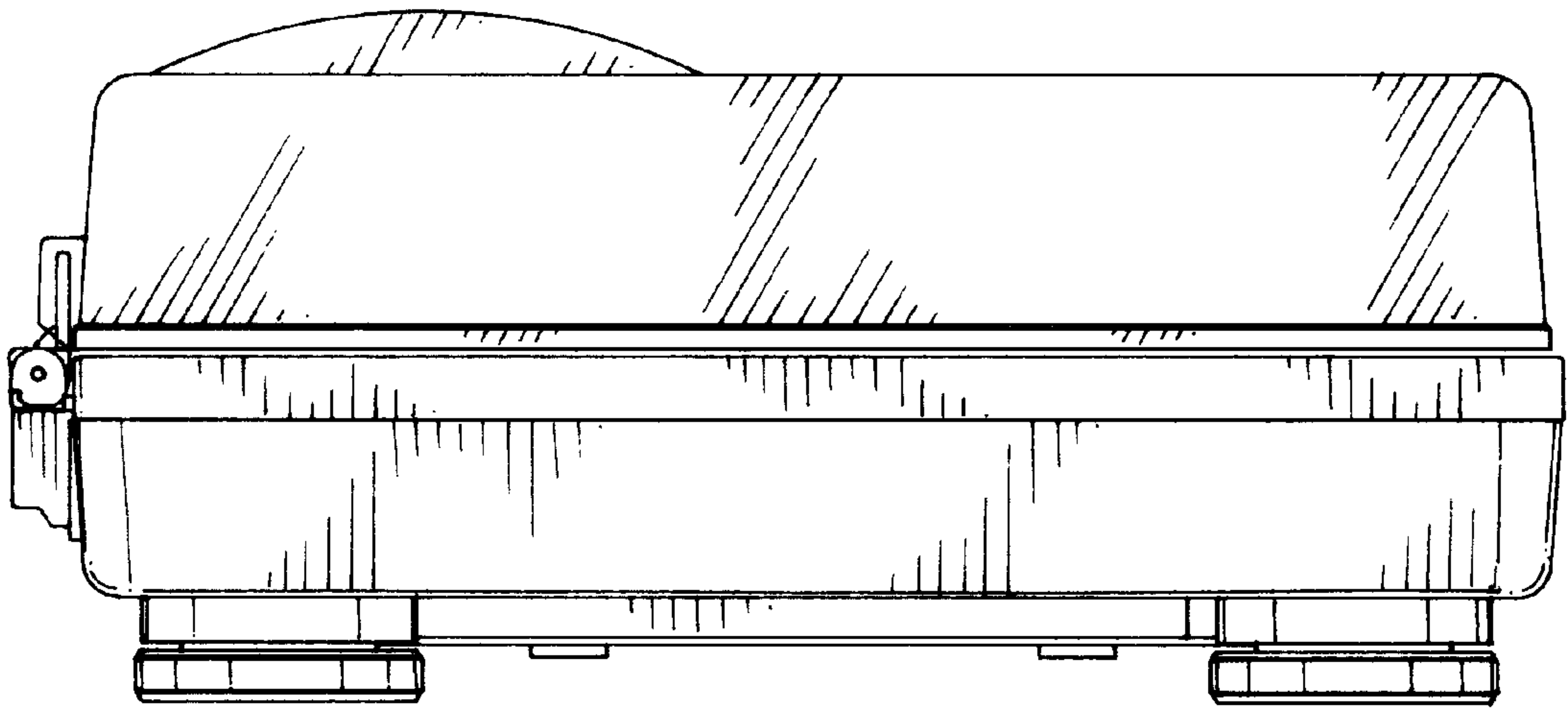


FIG. 12

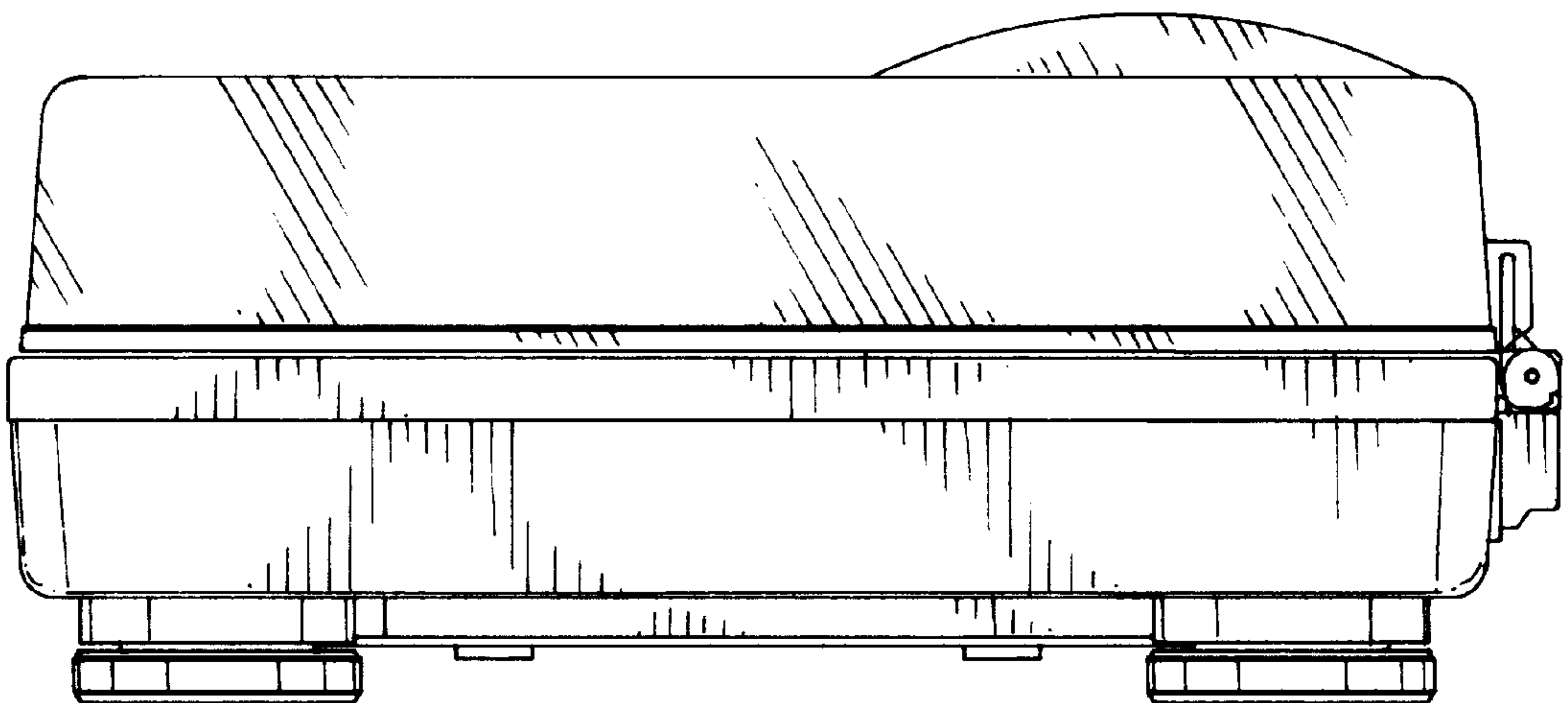


FIG. 13