



US00D433010S

United States Patent [19]

Yamamizu et al.

[11] **Patent Number: Des. 433,010**

[45] **Date of Patent: ** Oct. 31, 2000**

[54] **AMPLIFIER FOR AN AUDIO APPLIANCE**

[75] Inventors: **Hiroshi Yamamizu; Hirokazu Shibata,**
both of Hiroshima-ken, Japan

[73] Assignee: **Sharp Kabushiki Kaisha,** Osaka, Japan

[**] Term: **14 Years**

[21] Appl. No.: **29/112,019**

[22] Filed: **Oct. 12, 1999**

[30] **Foreign Application Priority Data**

Apr. 14, 1999 [JP] Japan 11-9861

[51] **LOC (7) Cl. 14-03**

[52] **U.S. Cl. D14/188**

[58] **Field of Search** D14/155, 157,
D14/160-162, 168, 188-198, 265; 455/344,
347, 350, 351

[56] **References Cited**

U.S. PATENT DOCUMENTS

D. 316,716 5/1991 Nagata D14/188

D. 343,394 1/1994 Kakizaki D14/188
D. 379,354 5/1997 Hippen D14/188
D. 385,882 11/1997 Frederick et al. D14/188
D. 395,654 6/1998 Mackie et al. D14/188

Primary Examiner—Nanda Bondade
Attorney, Agent, or Firm—Nixon & Vanderhye P.C.

[57] **CLAIM**

The ornamental design for an amplifier for an audio appliance, as shown and described.

DESCRIPTION

FIG. 1 is a top, front and right side perspective view of an amplifier for an audio appliance according to our design; FIG. 2 is a top plan view thereof; FIG. 3 is a front elevational view thereof; FIG. 4 is a right side elevational view thereof; FIG. 5 is a rear elevational view thereof; FIG. 6 is a left side elevational view thereof; and, FIG. 7 is a bottom plan view thereof.

1 Claim, 5 Drawing Sheets

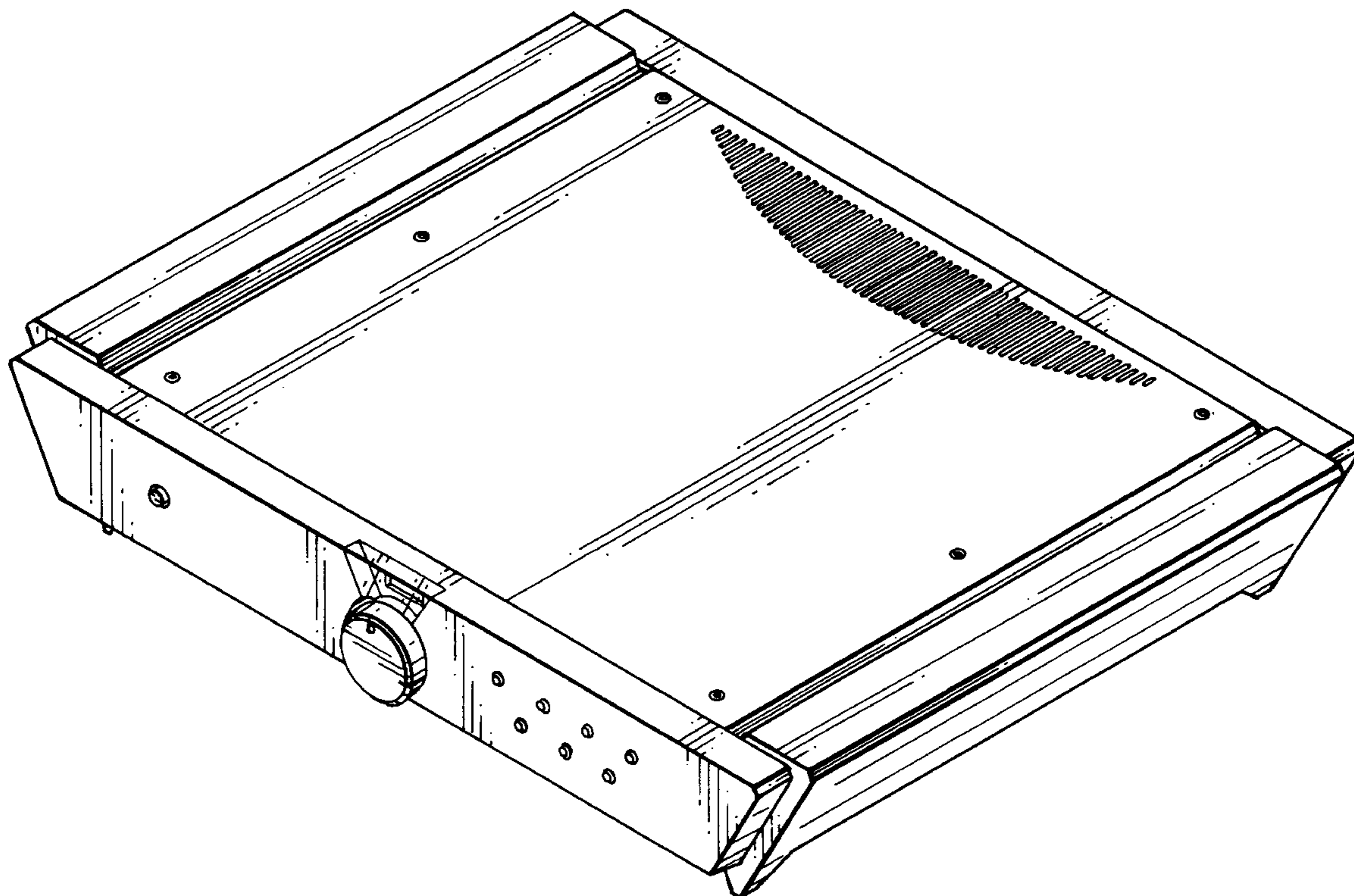
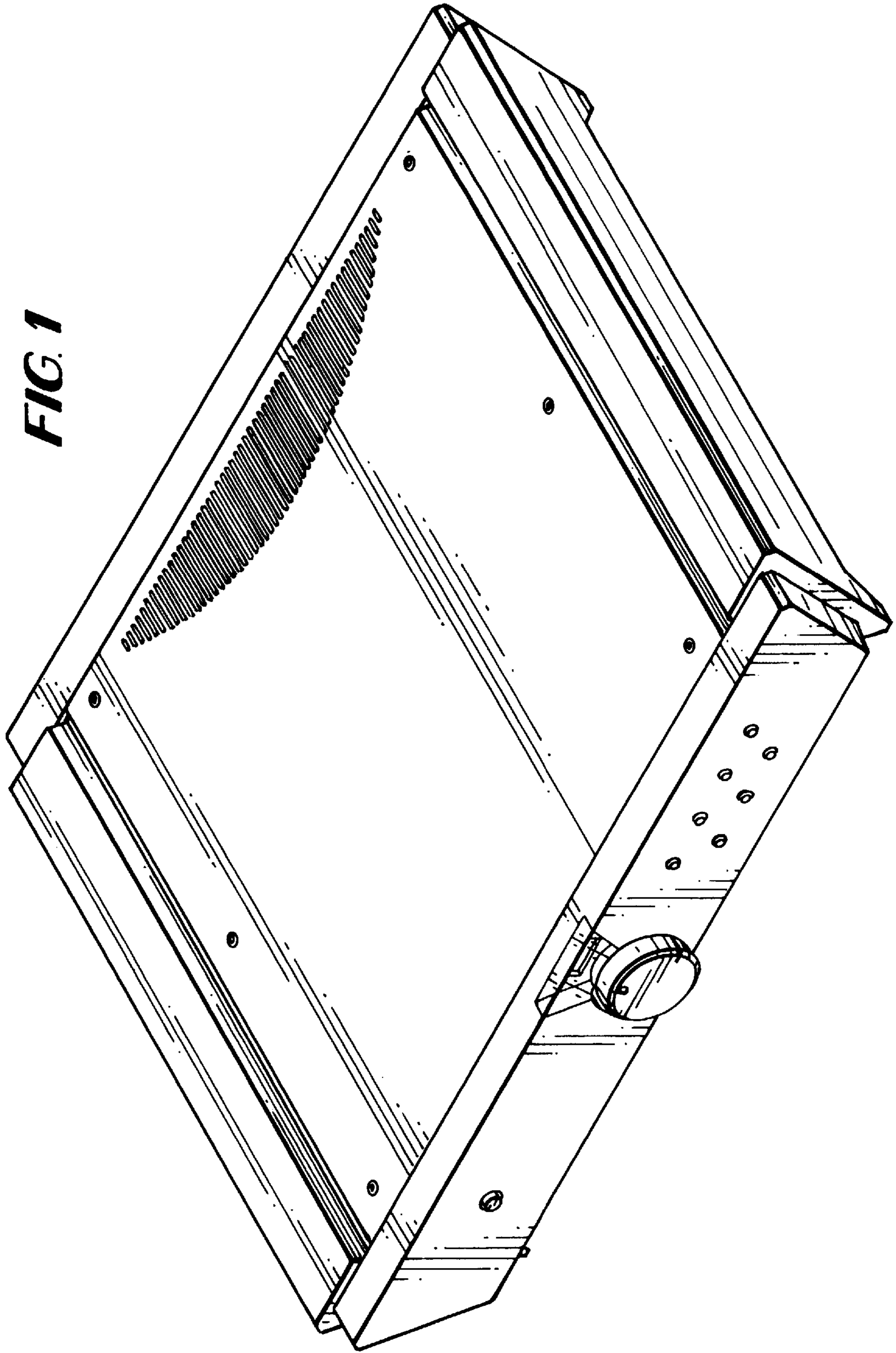


FIG. 1



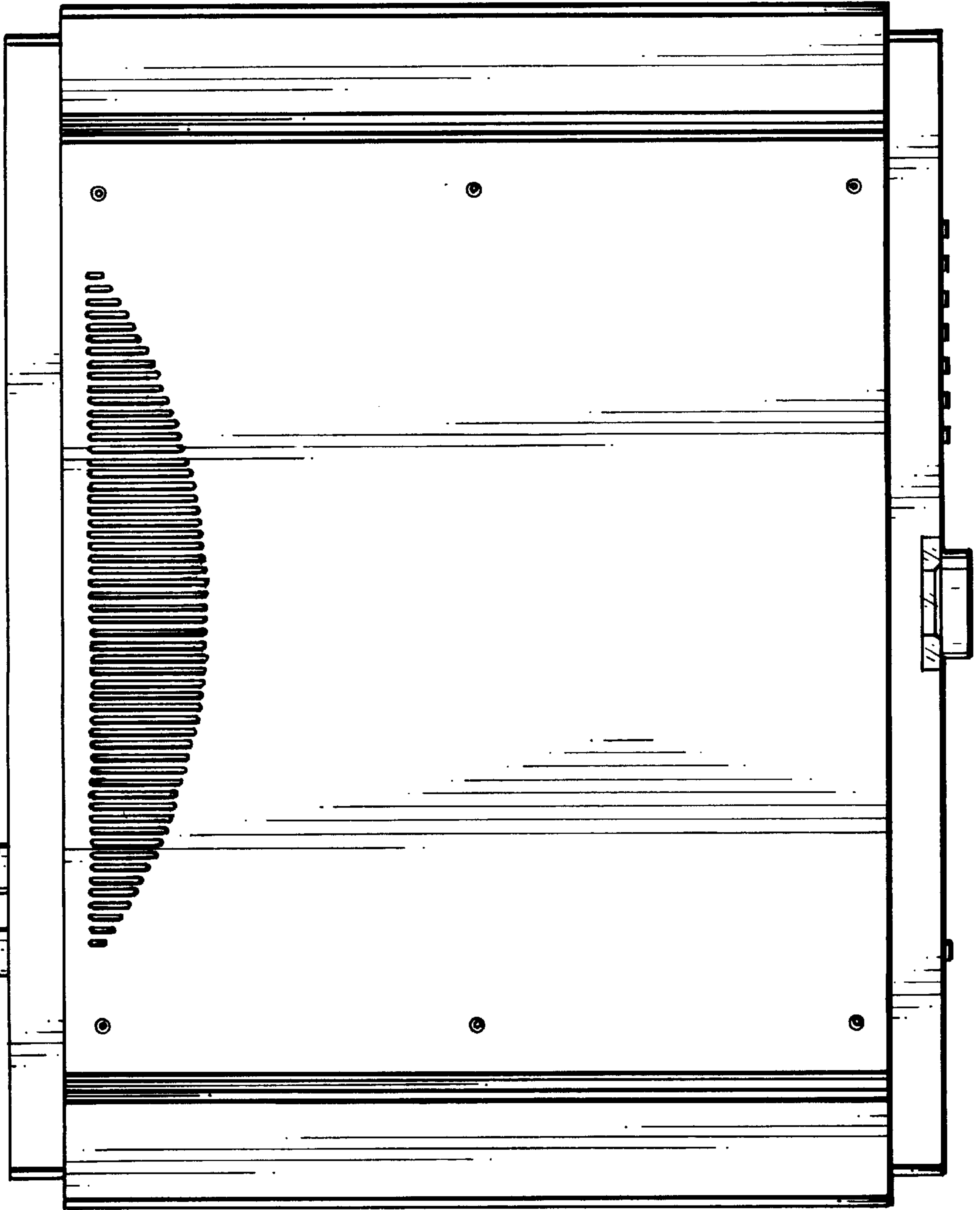


FIG. 2

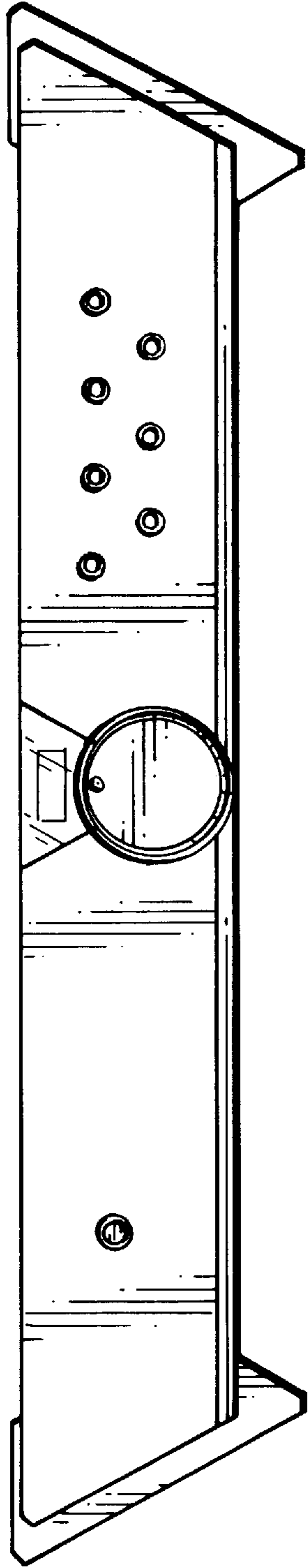


FIG. 3

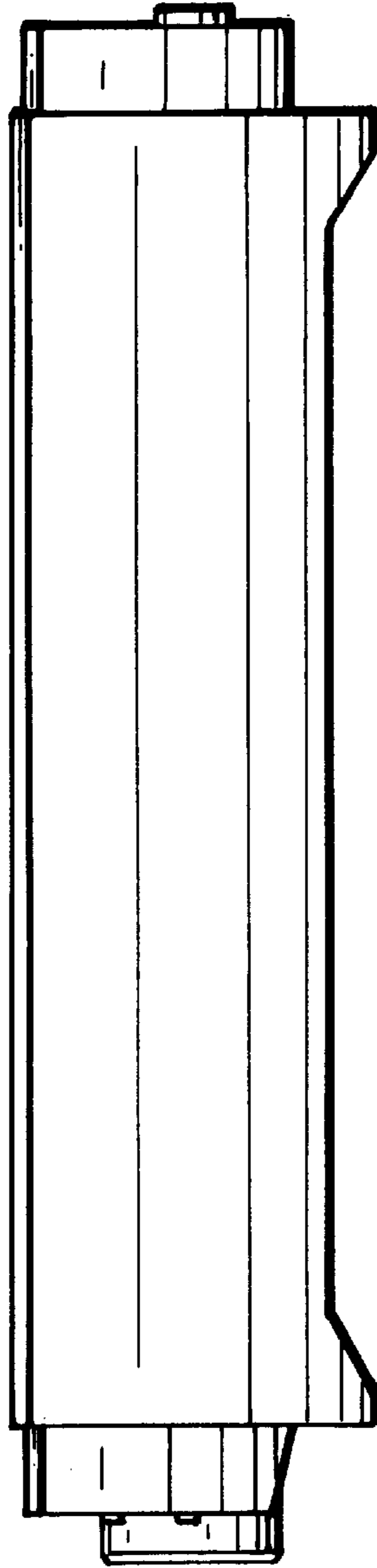


FIG. 4

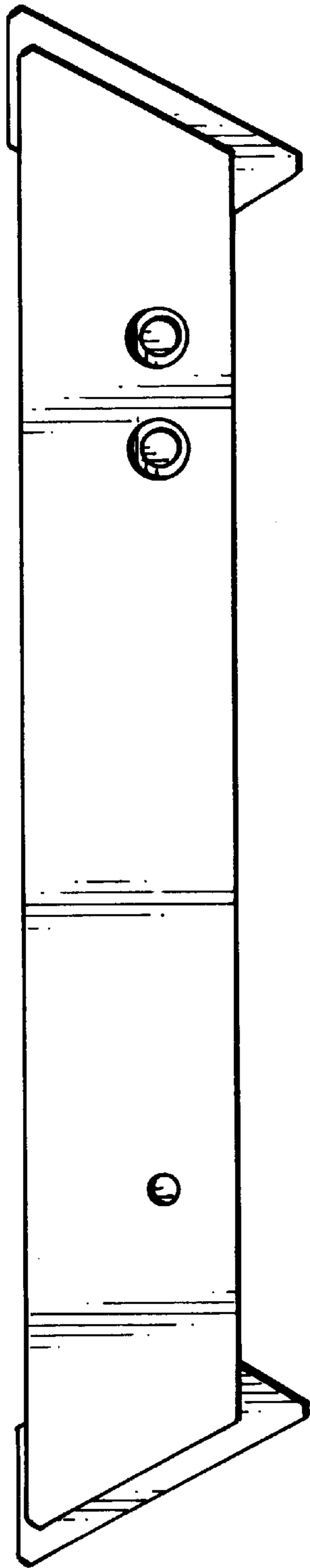


FIG. 5

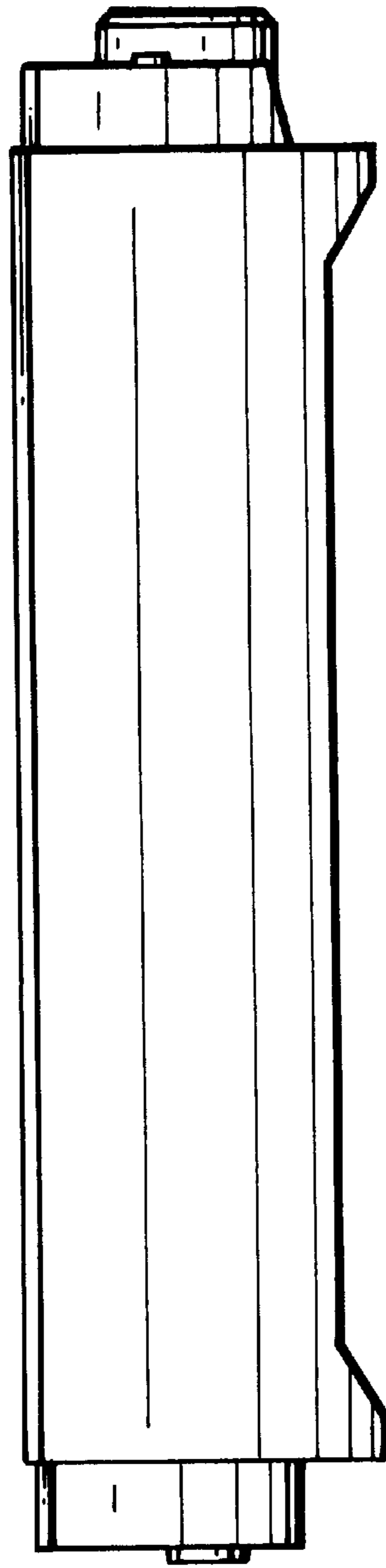


FIG. 6

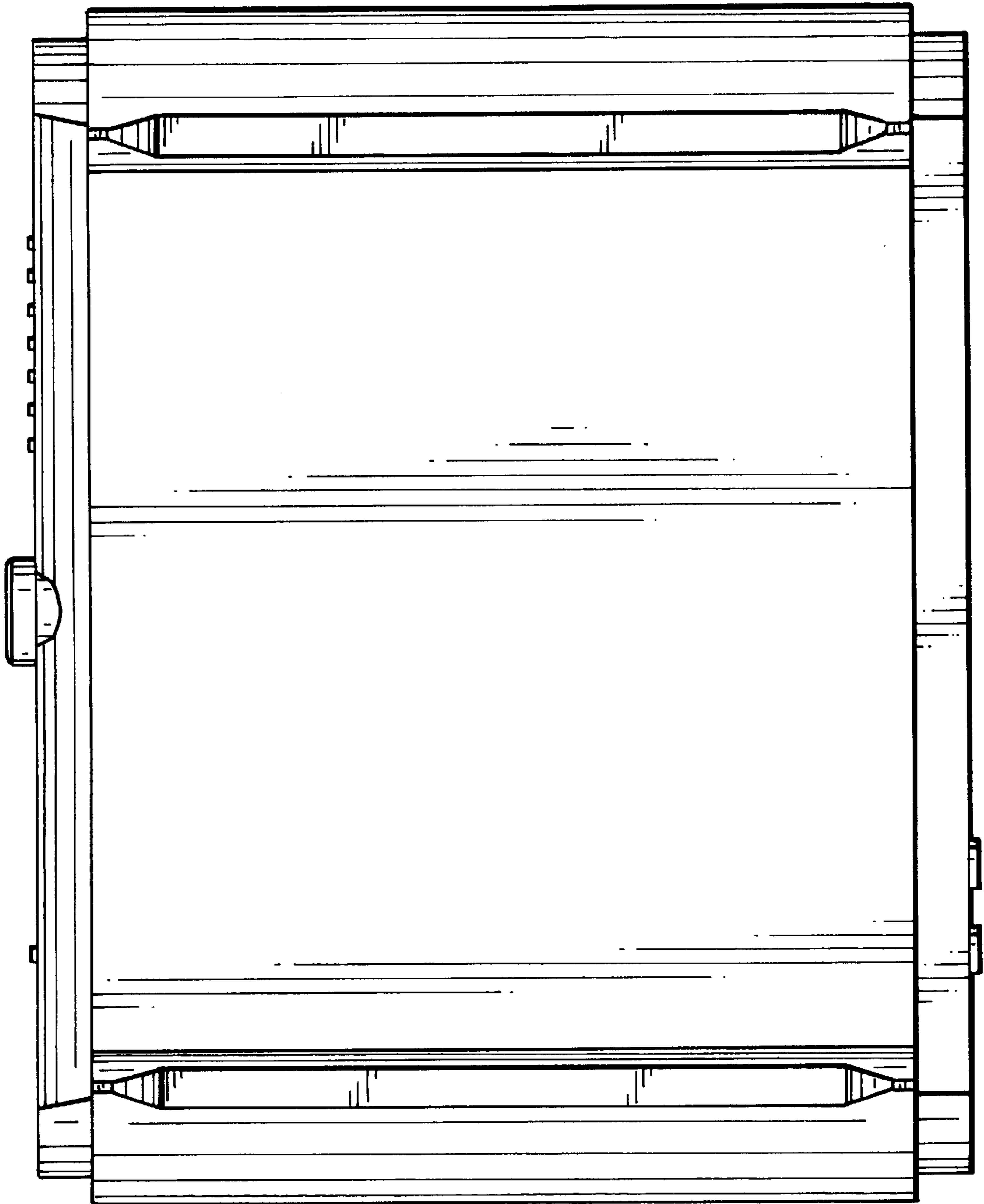


FIG. 7