



US00D433007S

# United States Patent [19] Boucard

[11] **Patent Number: Des. 433,007**

[45] **Date of Patent: \*\* Oct. 31, 2000**

[54] **PORTABLE PLAYER FOR RECORDED AUDIO MESSAGES**

D. 345,562	3/1994	Yatabe .....	D14/164
D. 376,587	12/1996	Nakada .....	D14/109
5,451,178	9/1995	Yorozu et al. ....	704/272
5,768,127	6/1998	Murata .....	700/94

[75] Inventor: **John C. Boucard**, Olathe, Kans.

[73] Assignee: **One Touch Media International, Inc.**, Naples, Fla.

*Primary Examiner*—Nanda Bondade  
*Attorney, Agent, or Firm*—Pitts & Brittian, P.C.

[\*\*] Term: **14 Years**

[57] **CLAIM**

[21] Appl. No.: **29/105,660**

The ornamental design of a portable player for recorded audio messages, as shown and described.

[22] Filed: **May 28, 1999**

**DESCRIPTION**

[51] **LOC (7) Cl.** ..... **14-01**

[52] **U.S. Cl.** ..... **D14/160**

[58] **Field of Search** ..... D14/100, 102, D14/107-109, 160-165, 167-168, 188, 217, 260, 299; 360/137; 361/737; 455/344, 347-351; 381/123; 700/94; 704/201, 272

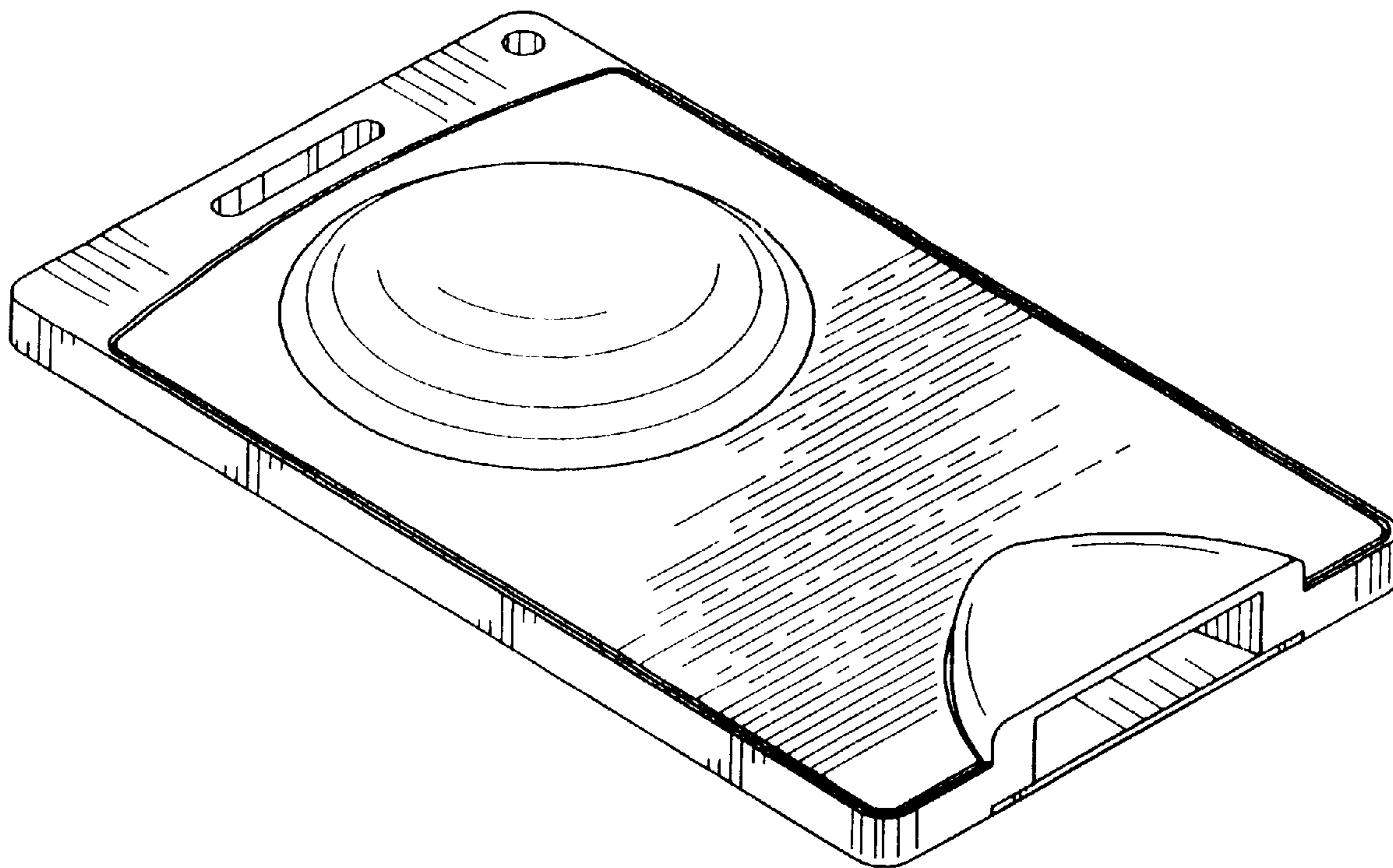
FIG. 1 is a top perspective view thereof;  
FIG. 2 is a bottom perspective view thereof;  
FIG. 3 is a front view thereof; a back view being a mirror image thereof;  
FIG. 4 is a right side view thereof;  
FIG. 5 is a left side view thereof;  
FIG. 6 is a top view thereof; and,  
FIG. 7 is a bottom view thereof.

[56] **References Cited**

**U.S. PATENT DOCUMENTS**

D. 334,917 4/1993 Miyamoto ..... D14/164 X

**1 Claim, 3 Drawing Sheets**



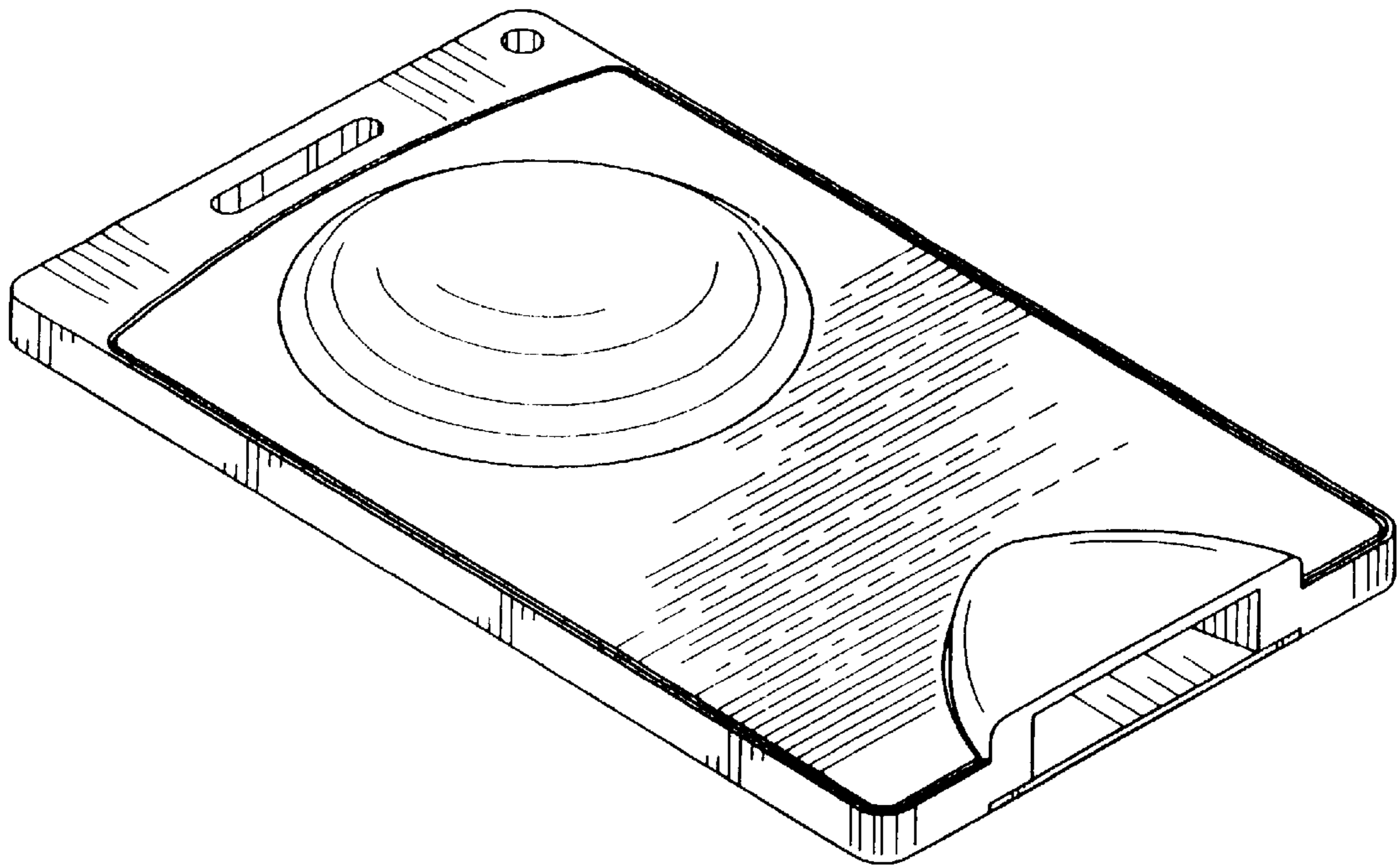


Fig. 1

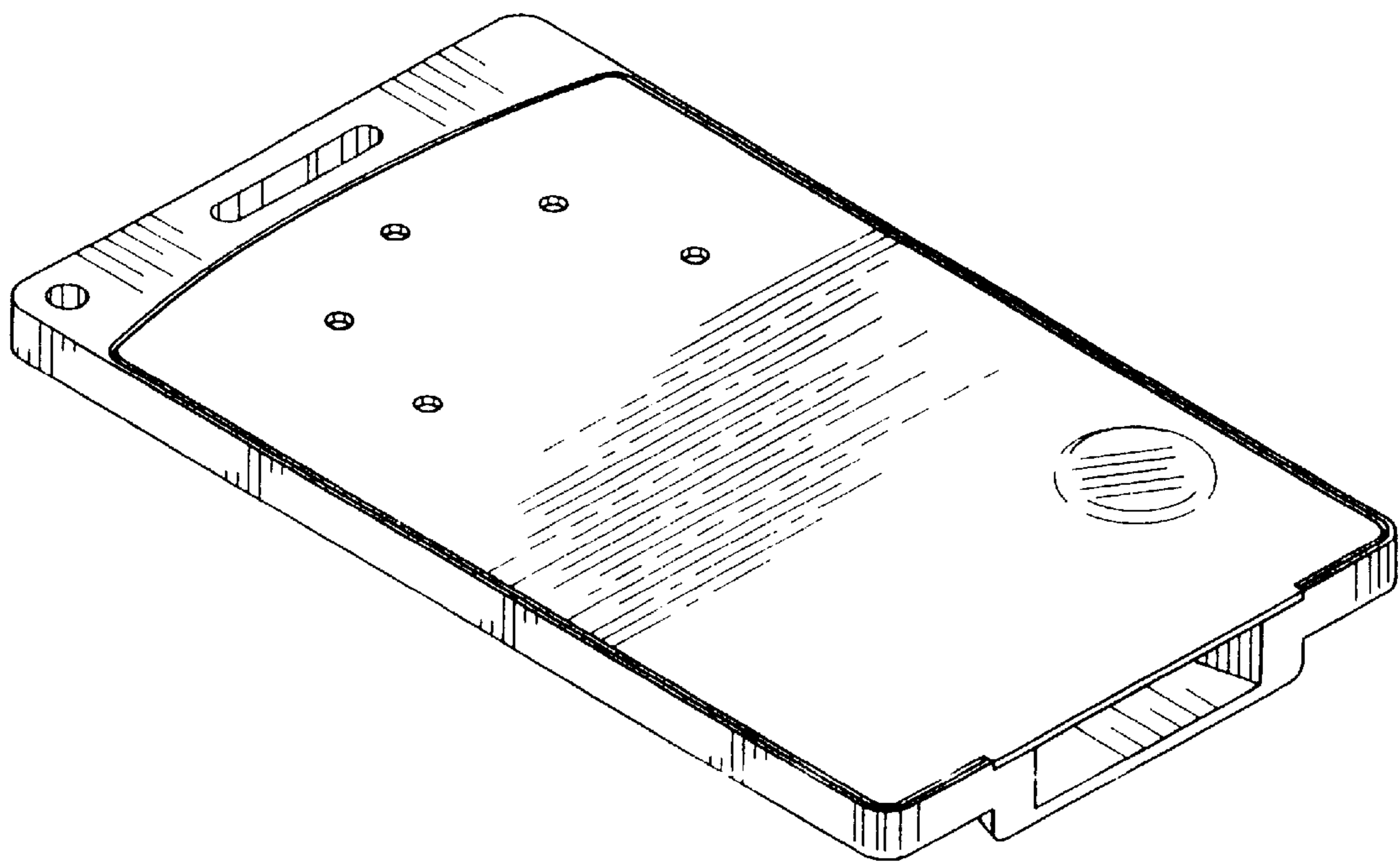


Fig. 2

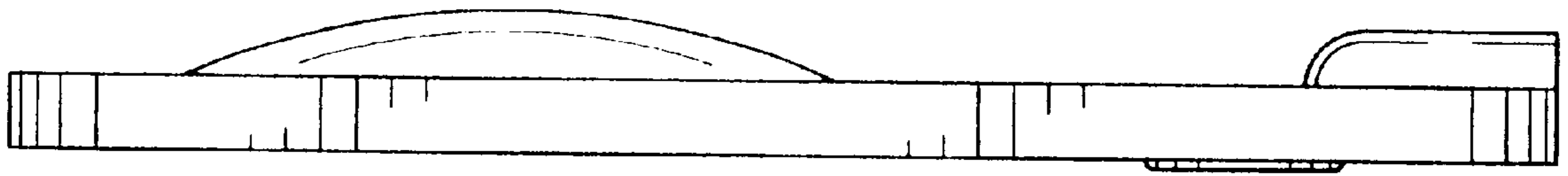


Fig. 3

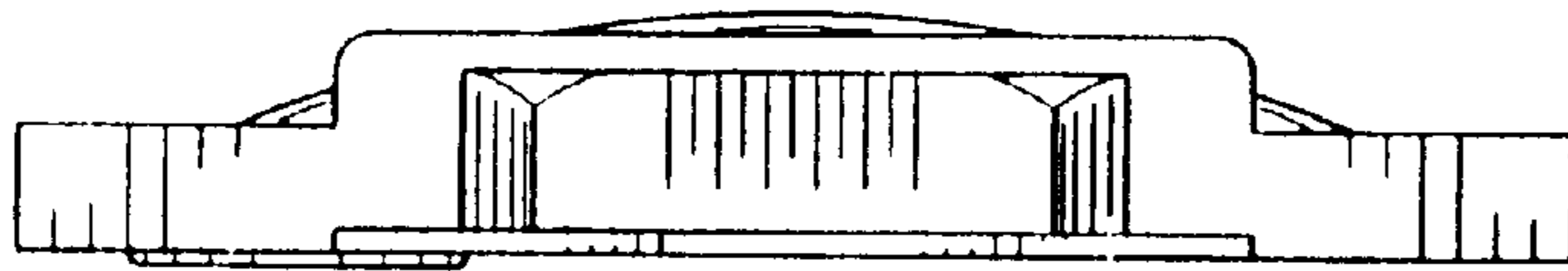


Fig. 4



Fig. 5

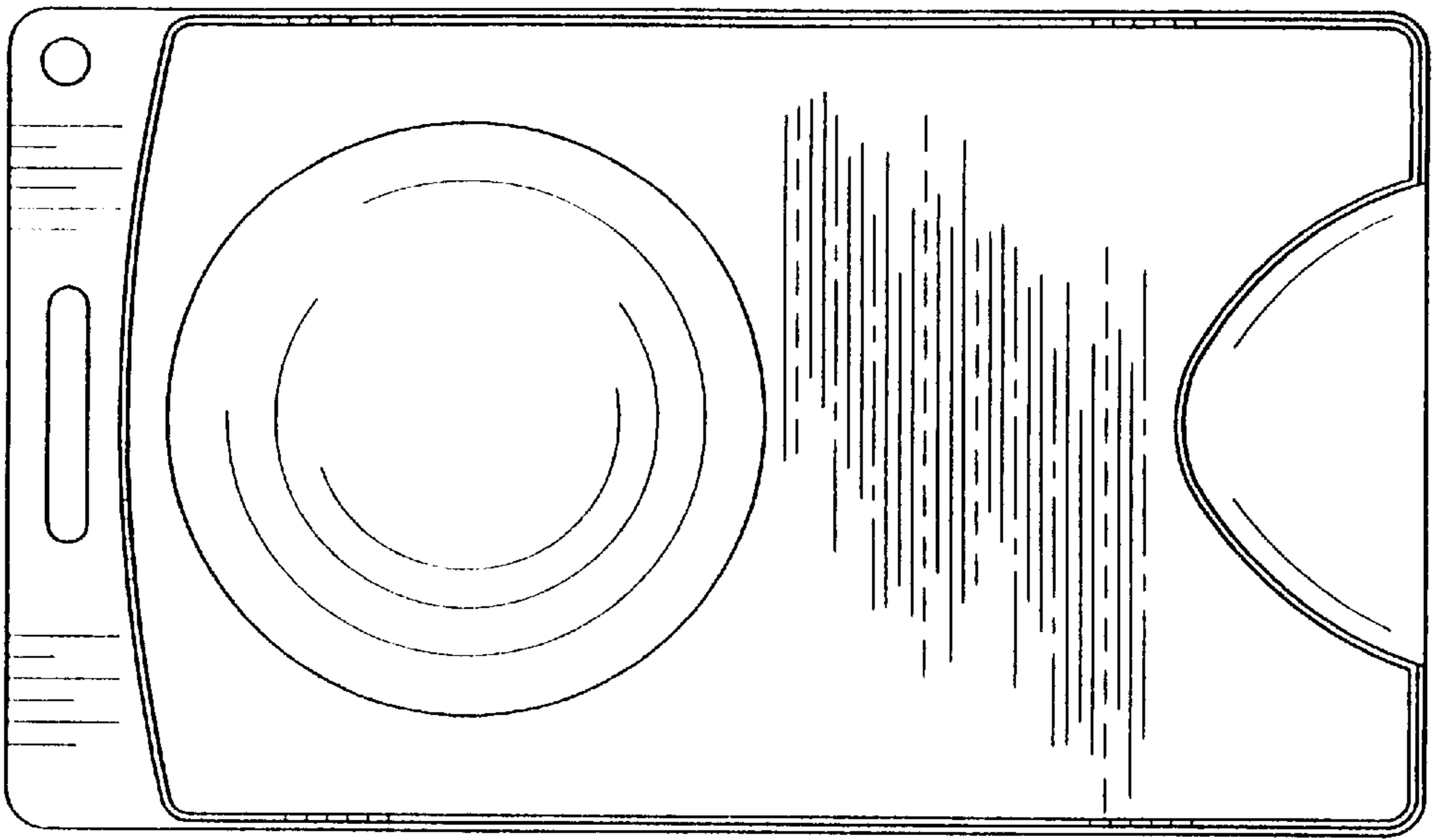


Fig. 6

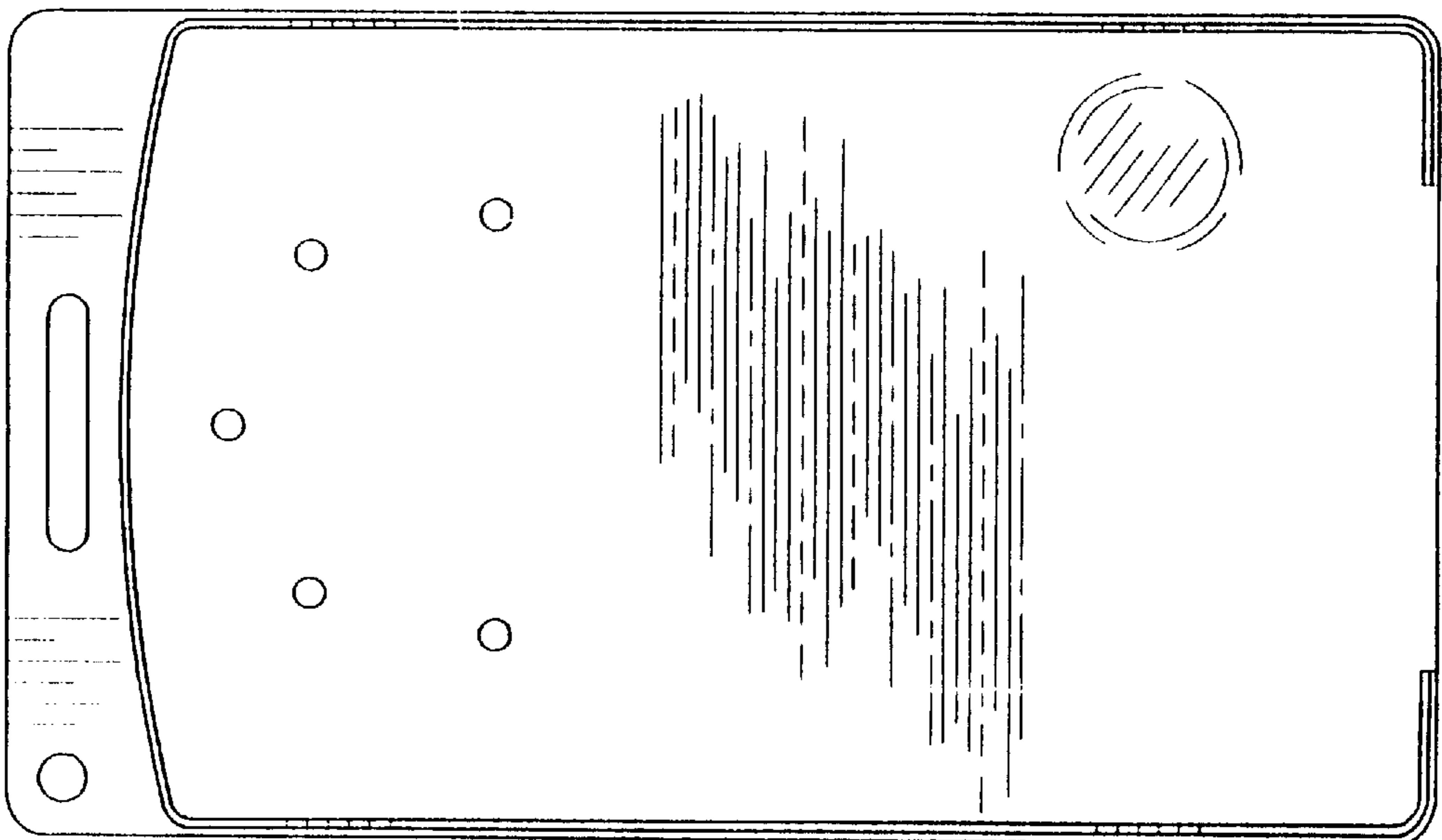


Fig. 7